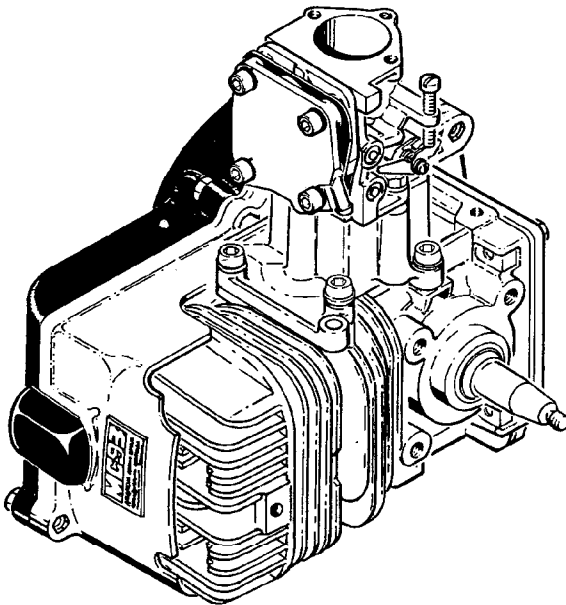


ILLUSTRATED PARTS LIST

MODELS	SERIAL NUMBER PREFIX
400165D	16-

MC 93 Kart Engine

MAY 1977



- CONTENTS -

	<u>Page</u>
Figure 1. General	2
Figure 2. Carburetor Assembly	4
Figure 3. Powerhead Assembly	6
Accessories	3

The policy of McCulloch Corporation is one of continual improvement in design, manufacturing and engineering advancement wherever possible to assure still finer two-cycle power tools. Hence, specifications, equipment, colors, design and manufacturer's suggested list prices are subject to change without notice and McCulloch Corporation reserves the right to make such changes without prior notification or obligation to backfit or supply backfit components for units previously shipped from the factory.



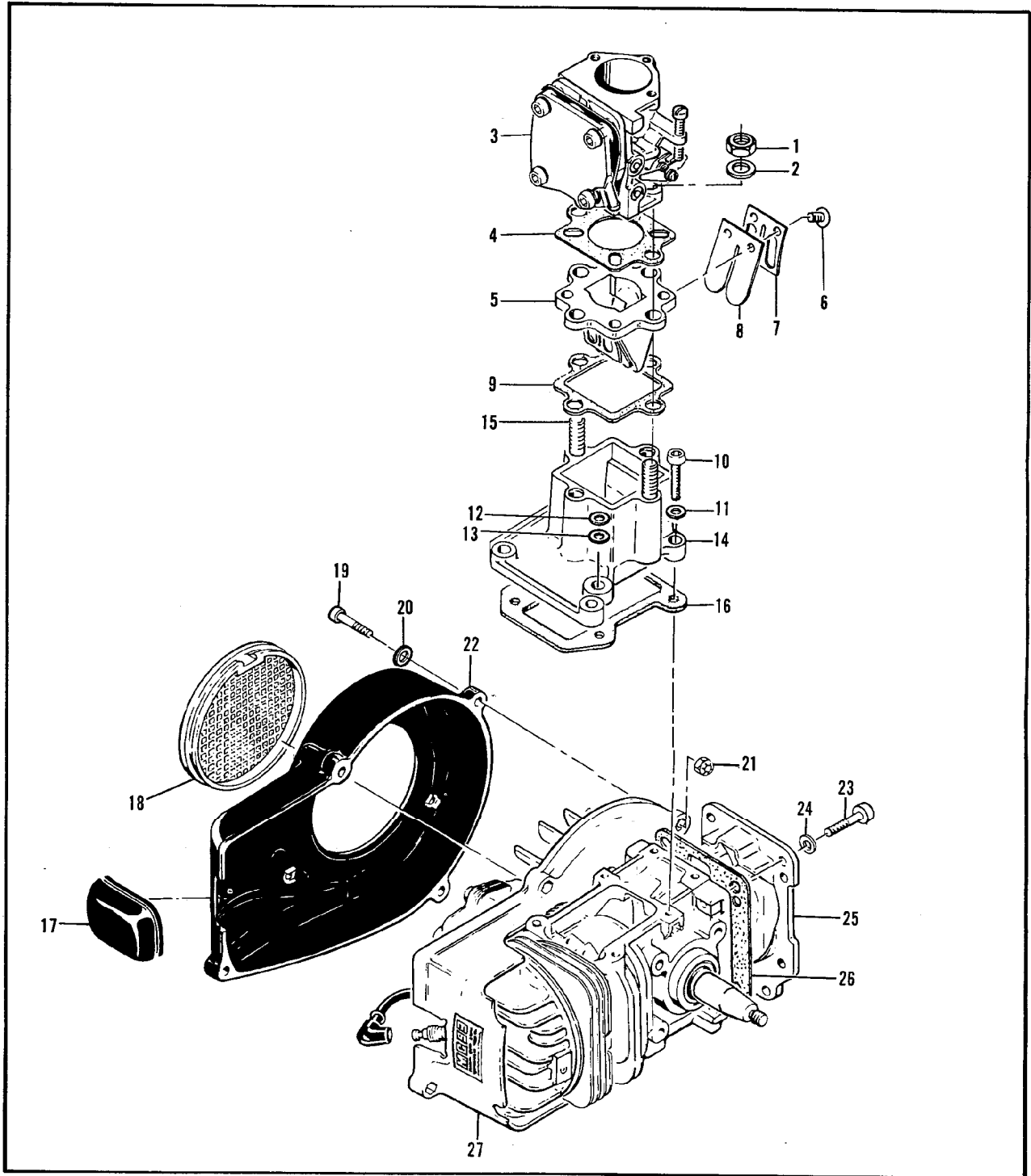


Figure 1. General

Figure 1. General

Item No.	Part Number	Description	Units Per Asy.	Item No.	Part Number	Description	Units Per Asy.
1	100248	Nut-Hx 1/4-28	2	14	68889	Adapter Asy-Carburetor	1
2	100153	Lockwasher-1/4	2	15	47868	. Stud-Adapter	2
3		Carburetor Asy (See Figure 2)	1	16	69526	Gasket-Adapter	1
4	65939	Gasket-Carburetor	1	17	86387	Cover Asy-Sparkplug	1
5	68091	Valve Asy-Reed block	1	18	87249	Guard-Flywheel	1
6	101987	. Screw-Rd hd 6-32 x 1/4	4	19	110439	Screw-Skt hd 10-24 x 1	4
7	65904	. Plate-Clamp	2	20	24236	Washer-Special	4
8	68074	. Valve-Reed	2	21	101326	Nut-Hex 10-24	2
9	68894	Gasket-Reed block	1	22	88674	Fan Housing	1
10	110439	Screw-Skt hd 10-24 x 1	4	23	105187	Screw-Skt hd 1/4-20 x 1	4
11	24236	Washer-Special	3	24	13643	Washer-Special	4
12	100003	Washer-#10	1	25	67254	Cover-Crankcase bottom	1
13	103744	Washer-Sealing	1	26	65654	Gasket-Cover	1
				27		Power Unit Asy (See Figure 3)	

Accessories

Part Number	Description	Part Number	Description
68899	Piston Assy, 2. 170	13639A	Clutch, Drum, Bearing, & Sprocket Assy - 10 tooth
68897	Piston Assy, 2. 175	60315	. Clutch Assy
87940	Piston Assy, 2. 185	48736A	. Drum, Bearing, & Sprocket Assy - 10 tooth
87938	Piston Assy, 2. 195	104460	. . Bearing - Needle
66790	Ring Set - Piston, chrome, 2. 170	48737	. . Spacer - Sprocket
47768	Ring Set - Piston, chrome, 2. 175	13638A	Clutch, Drum, Bearing, & Sprocket Assy - 11 tooth
87935	Ring Set - Piston, chrome, 2. 185	60315	. Clutch Assy
87934	Ring Set - Piston, chrome, 2. 195	48734A	. Drum, Bearing, & Sprocket Assy - 11 tooth
89286	Ring Set - Piston, steel, 2. 165	104460	. . Bearing - Needle
89132	Ring Set - Piston, steel, 2. 170	48737	. . Spacer - Sprocket
89133	Ring Set - Piston, steel, 2. 175	13637A	Clutch, Drum, Bearing, & Sprocket Assy - 12 tooth
89134	Ring Set - Piston, steel, 2. 185	60315	. Clutch Assy
89135	Ring Set - Piston, steel, 2. 195	48714A	. Drum, Bearing, & Sprocket Assy - 12 tooth
90390	Rod Assy - Con, shot peened	104460	. . Bearing - Needle
84498	Head - Cyl, high compression	48737	. . Spacer - Sprocket
88137	Manifold Assy - Sloper	48637	Sprocket - 10 tooth
86356	Kit - Carburetor choke	48638	Sprocket - 11 tooth
86419	Guide - Timing	48639	Sprocket - 12 tooth
48711D	Kit - Rewind starter		
83205	Kit - Piston pin & bearing tool		
91486	Decal - McCulloch		
85205	Manual - Kart engine		

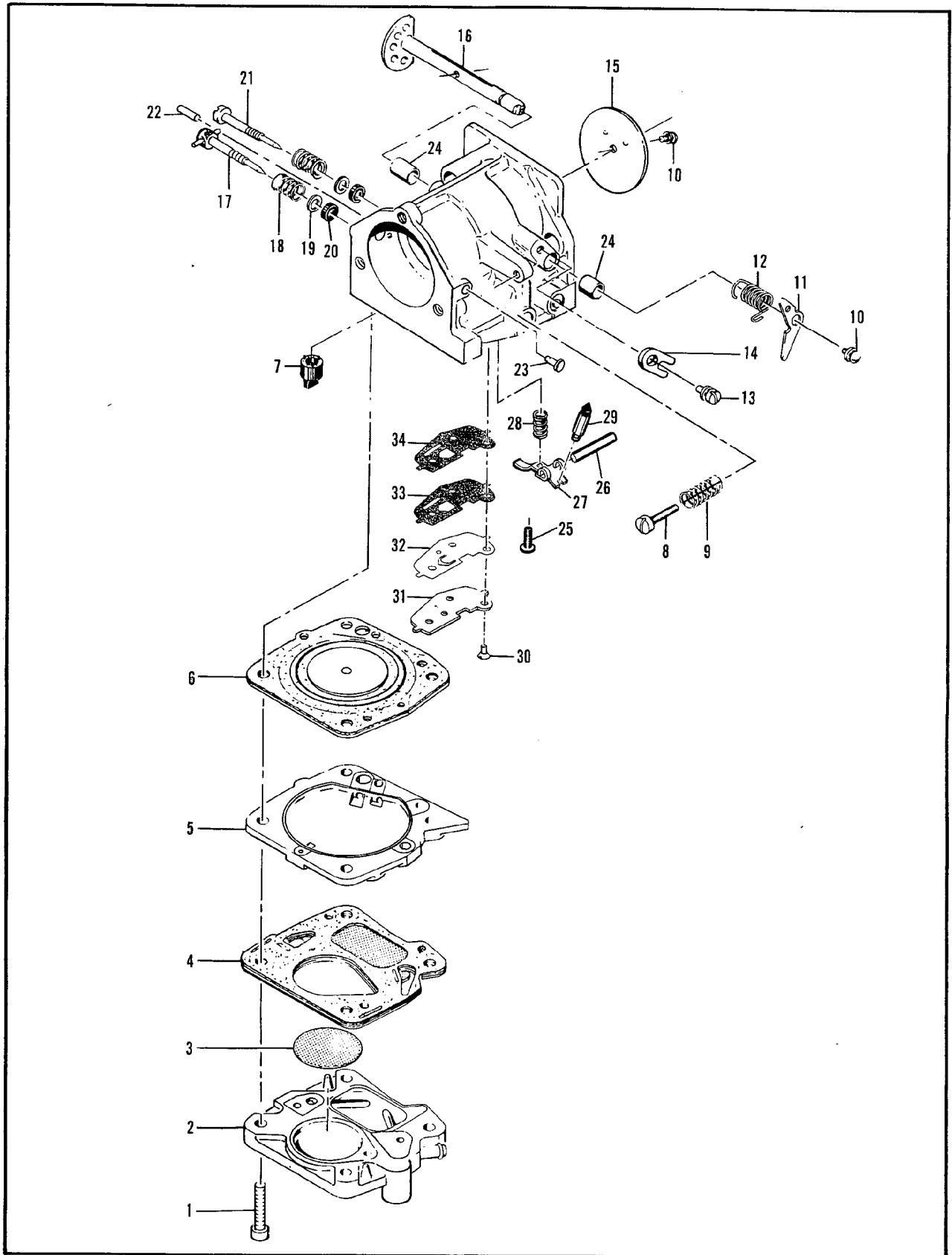


Figure 2. Carburetor Assembly

Figure 2. Carburetor Assembly

Item No.	Part Number	Description	Units Per Asy.
	91044	Carburetor Assy	1
1	91167	. Screw - Skt hd 10-24 x 1	4
2	84941	. Body - Fuel pump	1
3	48911	. Filter - Fuel	1
4	57274B	. Diaphragm Assy - Fuel pump	1
5	69170	. Plate - Diaphragm	1
6	89888	. Diaphragm - Carburetor	1
7	53766A	. Valve - Check	1
8	55397	. Screw - Idle speed	1
9	51705	. Spring - Idle screw	1
10	104814	. Screw - Pan hd 4-40 x 1/4	2
11	50701A	. Arm - Throttle shaft	1
12	65935	. Spring - Throttle return	1
13	110055	. Screw - Fil hd 8-32 x 3/8	1
14	55082	. Clip - Throttle shaft	1
15	65934	. Plate - Throttle	1
16	65932	. Shaft Assy - Throttle	1
17	84940	. Needle Assy - High speed adjustment	1

Item No.	Part Number	Description	Units Per Asy.
18	67502	. Spring - Needle	2
19	52937	. Washer - Packing	2
20	88106	. Ring - Packing	2
21	84939	. Needle - Idle adjustment	1
22	101796	. Pin - Choke plate	1
23	48827	. Plug - Choke shaft bore	2
24	55062A	. Bushing - Body	2
25	104728	. Screw - Lever pin	1
26	104305	. Pin - Lever	1
27	84317	. Lever - Inlet	1
28	57172	. Spring - Lever	1
29	83753	. Needle - Inlet valve	1
30	84942	. Screw - Circuit plate	3
31	84938	. Plate - Circuit	1
32	84944	. Diaphragm - Check valve	1
33	84945	. Gasket - Circuit plate	1
34	84946	. Gasket - Circuit plate	1

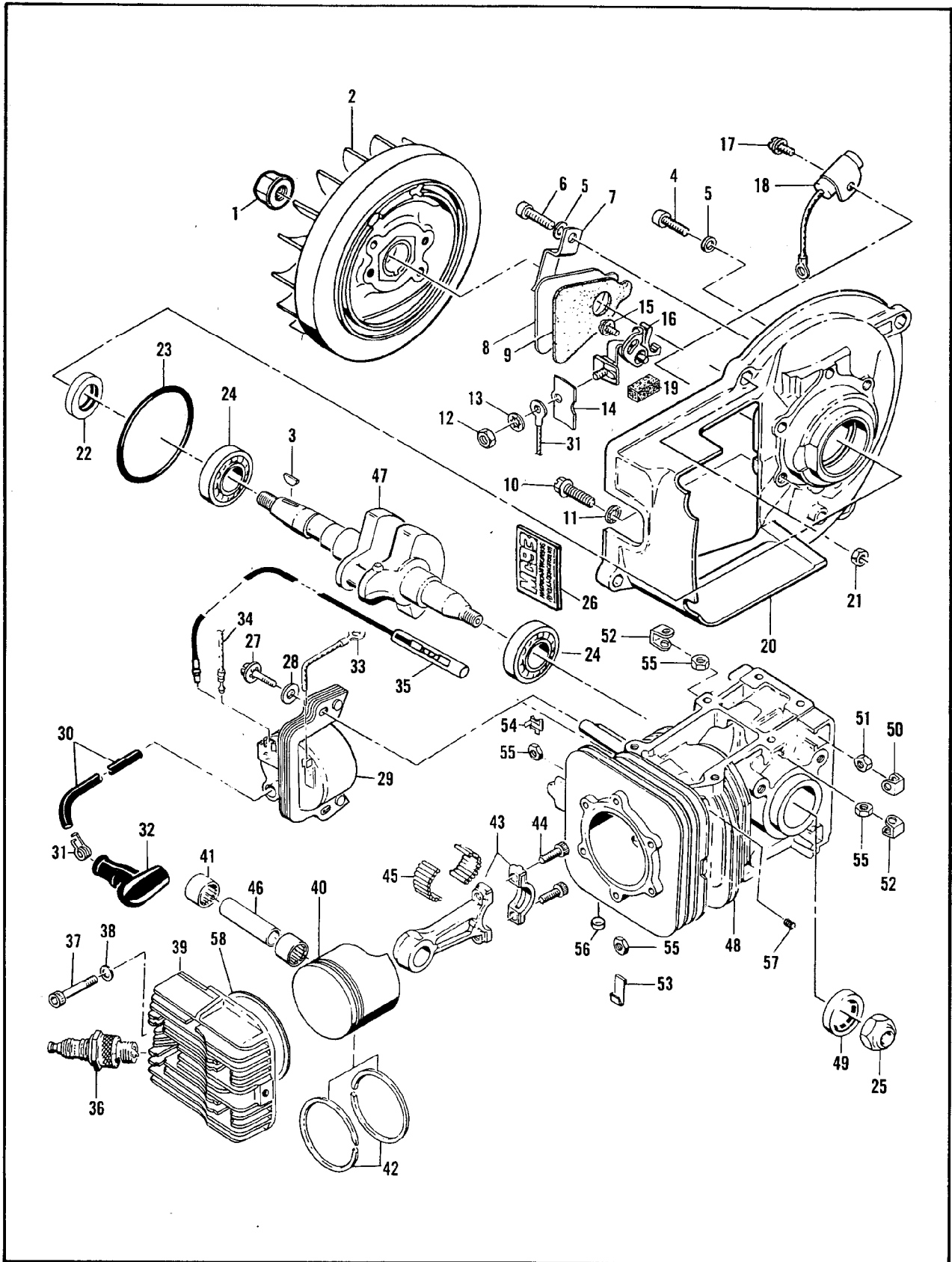


Figure 3. Powerhead Assembly

Figure 3. Powerhead Assembly

Item No.	Part Number	Description	Units Per Asy.	Item No.	Part Number	Description	Units Per Asy.
1	110655	Nut - Hex 7 16-20	1	28	83745	Washer - Special	2
2	68280	Flywheel Assy	1	29	86413	Coil & Lamination Assy	1
3	100106	Key - Woodruff	1	30	50120	. Wire Assy - Sparkplug	1
4	110714	Screw - Skt hd 10-24 x 3/4	3	31	55061	. . Connector	1
5	24236	Washer - Special	4	32	55060	. . Boot	1
6	110714	Screw - Skt hd 10-24 x 3/4	1	33	101883	. Wire Assy - Ground	1
7	50671	Retainer - Breaker box cover	1	34	57225	Wire Assy - Primary	1
8	50588A	Cover - Breaker box	1	35	86131	Wire Assy - Kill switch	1
9	65584	Gasket - Breaker box	1	36	84536	Sparkplug - 14mm - 0.472 reach	1
10	55494	Screw Assembly - Sealing	2	37	110692	Screw - Skt hd 10-24 x 1-3/8	6
11	55492	. Washer - Sealing	2	38	24236	Washer - Special	6
12	100251	Nut - Hex 8-32	1	39	89743	Head - Cylinder	1
13	100057	Lockwasher - #8	1	40	68898	Piston Assy	1
14	50381A	Insulator - Breaker terminal	1	41	104519	. Bearing - Needle	2
15	110338	Screw - Hx hd 8-32 x 9/16	1	42	47767	Ring Set - Piston, 2.165 chrome	1
16	88806	Breaker Assy	1	43	47903	Connecting Rod Assy	1
17	110338	Screw - Hx hd 8-32 x 9/16	1	44	60210A	. Screw - Skt hd spcl	2
18	85358	Condenser	1	45	69891	. Roller - Needle	24
19	50664	Felt - Breaker box	1	46	69408	Pin - Piston	1
20	92923	Cover - Crankcase	1	47	91085A	Crankshaft	1
21	101326	Nut - Hx 10-24	2	48	91040A	Crankcase Assy	1
22	89335	Seal - Oil	1	49	104432	. Seal - Oil	1
23	104523	O Ring	1	50	18556A	. Retainer - Nut	4
24	100824	Bearing - Ball	2	51	101143	. Nut - Hex 1/4-20	4
25	86113	Locknut - Hex 3/8-24 (LH)	1	52	28053	. Retainer - Nut	2
26	92925	Nameplate	1	53	57063	. Retainer - Nut	4
27	110713	Screw - Skt hd 10-24 x 7/8	2	54	104255	. Retainer - Nut	2
				55	101326	. Nut - Hex 10-24	8
				56	110685	. Plug - Cup	3
				57	83374	. Insert	2
				58	91073	. Gasket - Cylinder head	1