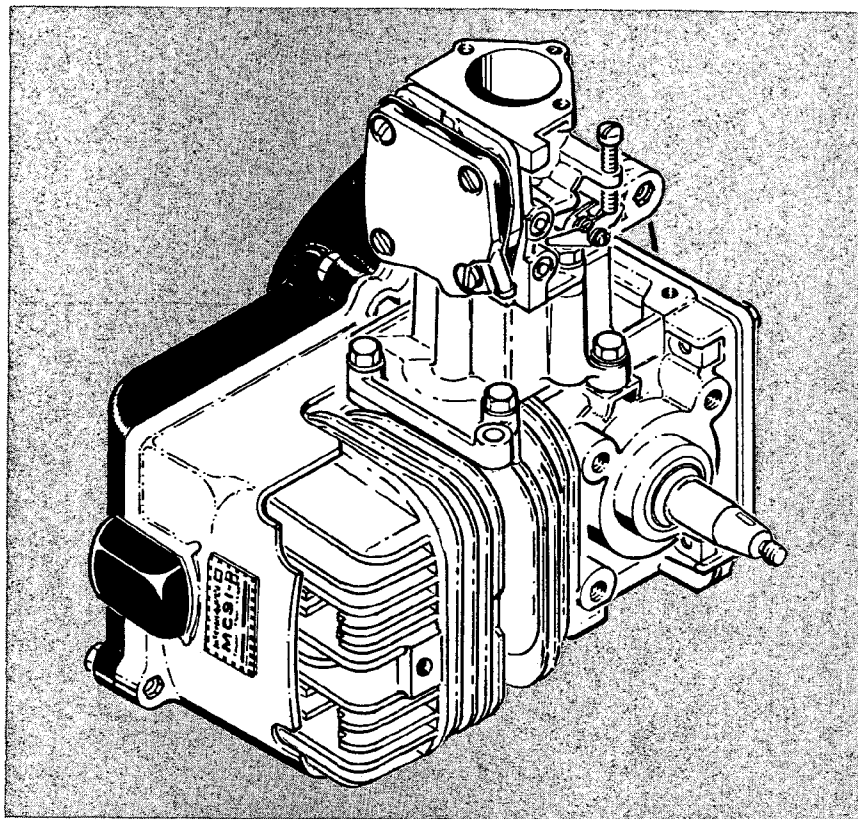


KART engine MC91 series

ILLUSTRATED PARTS LIST

JUNE 1970



The policy of McCulloch Corporation is one of continual improvement in design, manufacturing and engineering advancement wherever possible to assure still finer two-cycle power tools. Hence, specifications, equipment, colors, design and manufacturer's suggested list prices are subject to change without notice and McCulloch Corporation reserves the right to make such changes without prior notification or obligation to backfit or supply backfit components for units previously shipped from the factory.

Page

Figure 1. General	2
Figure 2. Carburetor Assembly	4
Figure 3. Carburetor Assembly	6
Figure 4. Powerhead Assembly	8

(See page 3 for cancelled and superseded parts lists)



McCULLOCH

COPYRIGHT 1970
McCULLOCH CORPORATION

84456

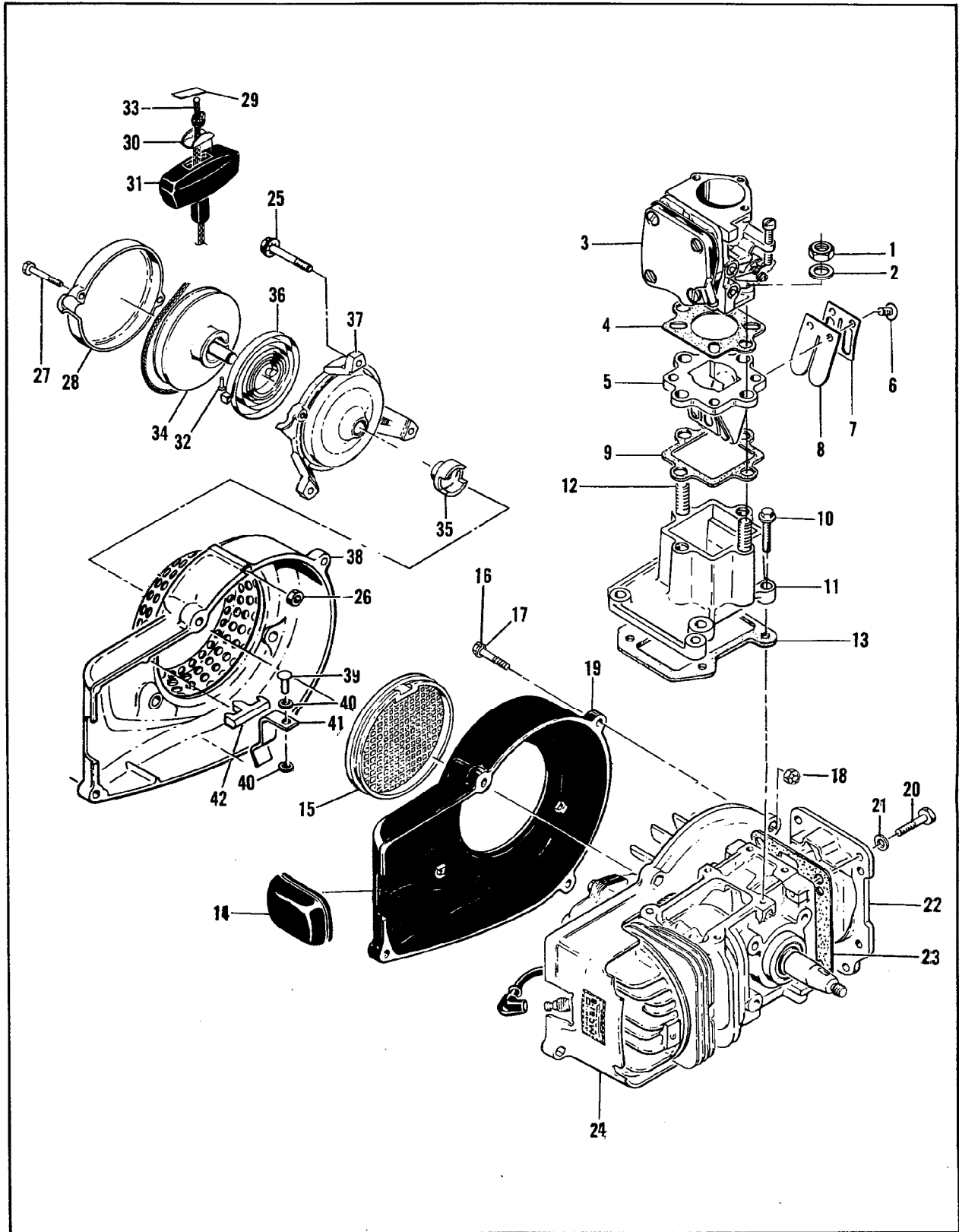


Figure 1. General

FIGURE 1. GENERAL

Item No.	Part Number	Description	Units Per Assy	Usable on Code		
MC 91 Series Usable on Code						
	Model	MC 91	MC 91	MC 91A	MC 91C	MC 91B
	Letter	A	B	C	D	E
	Serial Numbers	Without Prefix	Prefixed 10-	Prefixed 11-	Prefixed 12-	Prefixed 13-, A12-
1	100249	Nut - Hex 1/4-28	2	All		
2	100153	Lockwasher - 1/4	2	All		
3		Carburetor Assy (See Figures 2 & 3).....		All		
4	65939	Gasket - Carburetor	1	All		
5	68091	Valve Assy - Reed block	1	All		
6	101987	. Screw - Rd hd 6-32 x 1/4	4	All		
7	65904	. Plate - Clamp	2	All		
8	68074	. Valve - Reed	2	All		
9	65937	Gasket - Reed block	1	A,B		
	68894	Gasket - Reed block	1	C,D,E		
10	103947	Screw - Hex hd 10-24 x 1 (SEMS).....	4	All		
11	68889	Adapter Assy - Carburetor	1	All		
12	47868	. Stud - Adapter	2	All		
13	48516	Gasket - Adapter	1	All		
14	57565	Cover Assy - Spark plug	1	All		
15	55615	Guard - Flywheel	1	A,B,C,D		
16	104815	Screw - Hex hd 10-24 x 7/8 (SEMS).....	4	A,B,C,D		
	102760	Screw - Hex hd 10-24 x 1	4	E		
17	110264	Washer - #10	4	E		
18	101326	Nut - Hex 10-24	2	All		
19	68989	Fan Housing	1	All		
20	101982	Screw - Hex hd 1/4-20 x 1	4	All		
21	13643	Washer - Special	4	All		
22	67254	Cover - Crankcase bottom	1	All		
23	65578	Gasket - Cover	1	All		
24		Powerhead Assy (See Figure 4)		All		
25	104815	Screw - Hex hd 10-24 x 7/8 (SEMS)	3	D		
26	101191	Nut - Hex 10-24	3	D		
	84211	Starter Assy	1	D		
27	104396	. Screw - Pan hd 10-24 x 3/4	2	D		
28	60647	. Cover - Starter	1	D		
29	57232	. Plate - Handle	1	D		
30	57231	. Cup - Handle	1	D		
31	57230	. Handle - Starter	1	D		
32	101136	. Rivet - Rope	1	D		
33	28716	. Rope - Starter	1	D		
34	57792	. Drum - Starter	1	D		
35	57790	. Ratchet - Starter	1	D		
36	51665	. Spring - Rewind	1	D		
37	84212	. Base - Starter	1	D		
38	69819	Fan Housing Assy	1	D		
39	103819	. Rivet	1	D		
40	24236	. Washer - Special	2	D		
41	50818	. Spring	1	D		
42	50817	. Button - Stop switch	1	D		

Illustrated Parts List, P/N 84456, supersedes and cancels all previous lists issued for MC 91 Series kart engines. Discard the following lists:

- IPL 65942 and Parts List Sheet 66828 covering MC 91 engines having serial numbers without prefix.
- IPL 68629 covering MC 91 engines having serial numbers prefixed 10-.
- IPL 68908 covering MC 91A engines having serial numbers prefixed 11-.
- Addendum 69813 covering MC 91C engines having serial numbers prefixed 12-.

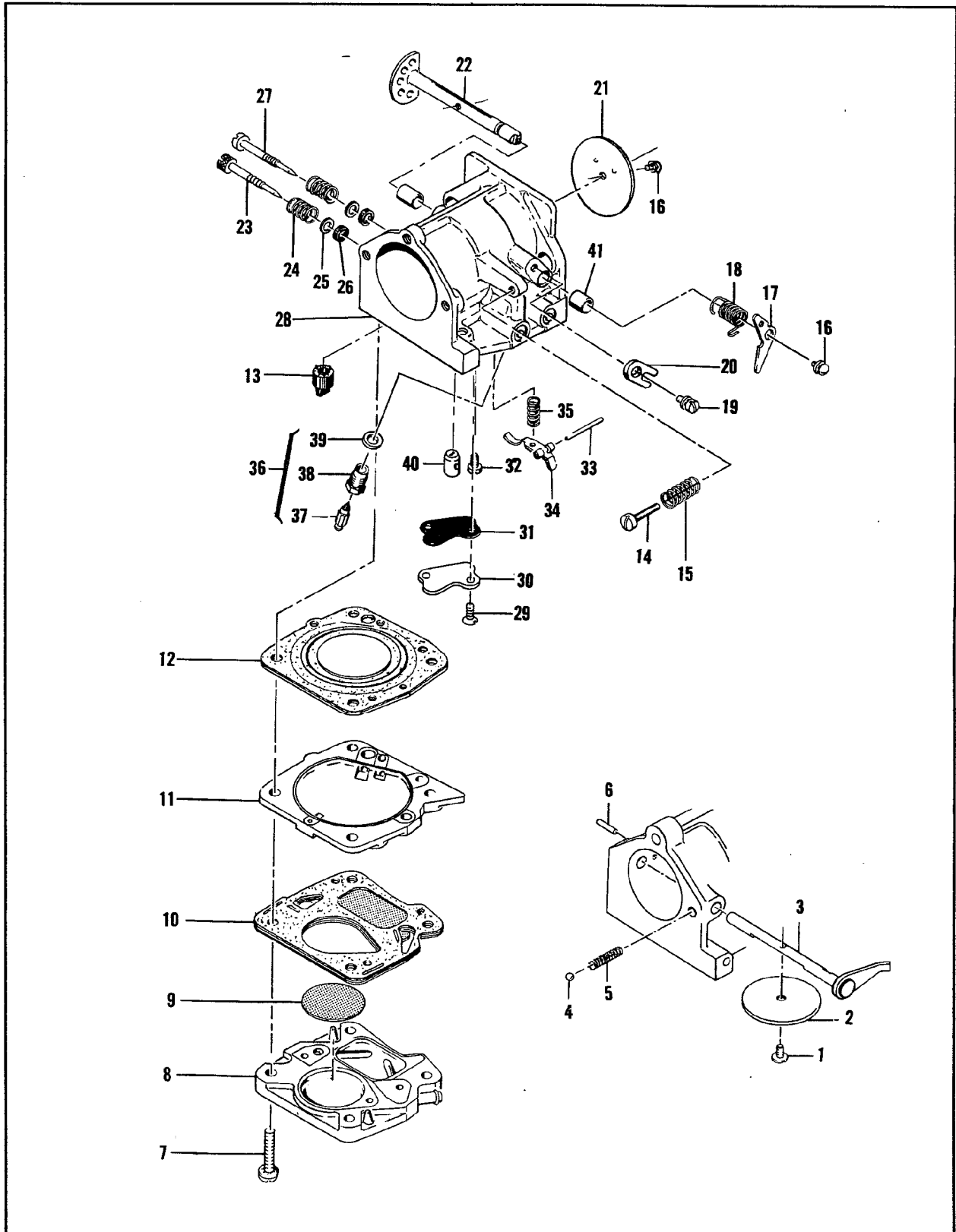


Figure 2 Carburetor Assembly

FIGURE 2. CARBURETOR ASSEMBLY

Item No.	Part Number	Description	Units Per Assy	Usable on Code			
MC 91 Series Usable on Code							
	Model	MC 91	MC 91	MC 91A	MC 91C	MC 91B	
	Letter	A	B	C	D	E	
	Serial Numbers	Without Prefix	Prefixed 10-	Prefixed 11-	Prefixed 12-	Prefixed 13-, A12-	
1	68886	Carburetor Assy	1	A,B,C			
	82894	Carburetor Assy	1	D			
2	104814	· Screw - Pan hd 4-40 x 1/4 (SEMS)	1	D			
3	65934	· Plate - Choke	1	D			
4	82893	· Shaft Assy - Choke	1	D			
5	100071	· Ball - Choke detent	1	D			
6	52930	· Spring - Choke detent	1	D			
7	101796	· Pin - Groove	1	D			
8	104520	· Screw - Pan hd 10-24 x 7/8 (SEMS)	4	A,B,C,D			
9	69169	· Body - Fuel pump	1	A,B,C,D			
10	48911	· Filter - Fuel	1	A,B,C,D			
11	57274B	· Diaphragm - Fuel pump	1	A,B,C,D			
12	69170	· Plate - Diaphragm	1	A,B,C,D			
13	66092	· Diaphragm - Carburetor	1	A,B,C,D			
14	53766A	· Valve - Check	1	A,B,C,D			
	62910	· Screw - Idle speed	1	A			
	55397	· Screw - Idle speed	1	B,C,D			
15	51705	· Spring - Idle screw	1	A,B,C,D			
16	104814	· Screw - Pan hd 4-40 x 1/4 (SEMS)	2	A,B,C,D			
17	50701A	· Arm - Throttle shaft	1	A,B,C,D			
18	65935	· Spring - Throttle return	1	A,B,C,D			
19	110055	· Screw - Fil hd 8-32 x 3/8 (SEMS)	1	A,B,C,D			
20	55082	· Clip - Shaft	1	A,B,C,D			
21	65934	· Plate - Throttle	1	A,B,C,D			
22	65932	· Shaft Assy - Throttle	1	A,B,C,D			
23	68893	· Needle - Main adjustment	1	A,B,C,D			
24	52936	· Spring - Needle	2	A,B,C,D			
25	52937	· Washer - Packing	2	A,B,C,D			
26	52938	· Packing - Needle	2	A,B,C,D			
27	67264	· Needle - Idle adjustment	1	A,B,C,D			
28	68907	· Body Assy - Carburetor	1	A,B,C			
	69812	· Body Assy - Carburetor	1	D			
29	103460	· Screw - Fl hd 4-40 x 1/4	2	A,B,C,D			
30	66097	· Cover - Capillary	1	A,B,C,D			
31	66098	· Gasket - Cover	1	A,B,C,D			
32	104728	· Screw - Bind hd 6-32 x 1/4	1	A,B,C,D			
33	104305	· Pin - Lever	1	A,B,C,D			
34	55688	· Lever - Inlet	1	A,B,C,D			
35	57172	· Spring - Lever	1	A,B,C,D			
36	60163A	· Set - Needle and body	1	A,B,C,D			
37	63038	· Needle - Valve	1	A,B,C,D			
38	58969	· Body - Valve	1	A,B,C,D			
39	55689	· Washer - Valve	1	A,B,C,D			
40	65611	· Valve Assy - Check	1	A,B			
	68890	· Valve Assy - Check	1	C,D			
41	55062A	· Bushing - Shaft	2	A,B,C,D			

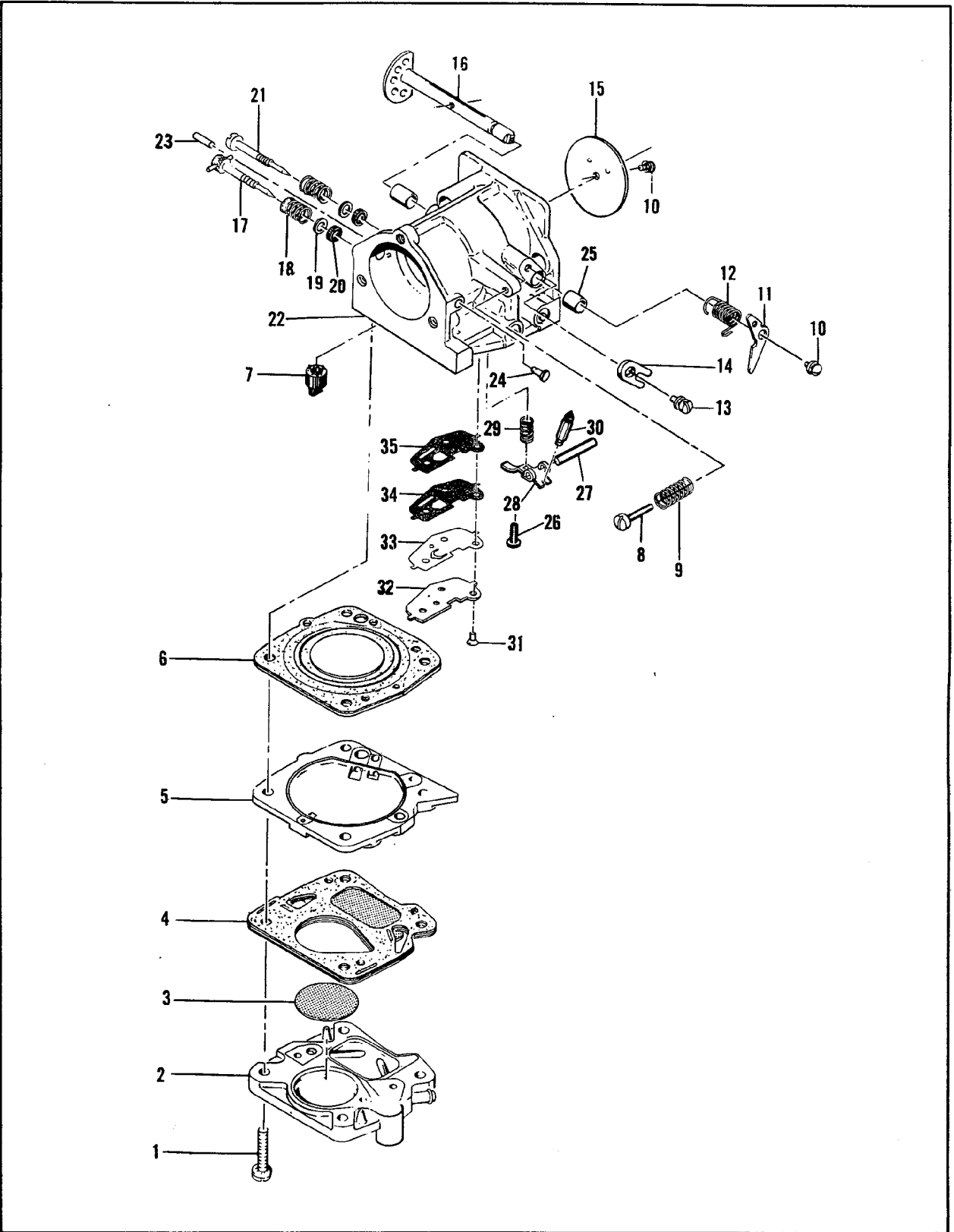


Figure 3. Carburetor Assembly

FIGURE 3. CARBURETOR ASSEMBLY

Item No.	Part Number	Description	Units Per Assy	Usable on Code		
MC 91 Series Usable on Code						
	Model	MC 91	MC 91	MC 91A	MC 91C	MC 91B
	Letter	A	B	C	D	E
	Serial Numbers	Without Prefix	Prefixed 10-	Prefixed 11-	Prefixed 12-	Prefixed 13-, A12-
1	84446	Carburetor Assy	1			E
2	104520	. Screw Assy - Pan hd 10-24 x 7/8 (SEMS)	4			E
3	84941	. Body - Fuel pump	1			E
4	48911	. Filter - Fuel	1			E
5	57274B	. Diaphragm Assy - Fuel pump	1			E
6	69170	. Plate - Diaphragm	1			E
7	66092	. Diaphragm - Carburetor	1			E
8	53766A	. Valve - Check	1			E
9	55397	. Screw - Idle speed	1			E
10	51705	. Spring - Idle screw	1			E
11	104814	. Screw - Pan hd 4-40 x 1/4 (SEMS)	2			E
12	50701A	. Arm - Throttle shaft	1			E
13	65935	. Spring - Throttle return	1			E
14	110055	. Screw - Fil hd 8-32 x 3/8 (SEMS)	1			E
15	55082	. Clip - Throttle shaft	1			E
16	65934	. Plate - Throttle	1			E
17	65932	. Shaft Assy - Throttle	1			E
18	84940	. Needle Assy - High speed adjustment	1			E
19	67502	. Spring - Needle	2			E
20	52937	. Washer - Packing	2			E
21	52938	. Ring - Packing	2			E
22	84939	. Needle - Idle adjustment	1			E
23	84947	. Body Assy - Carburetor	1			E
24	101796	. Pin - Choke plate	1			E
25	48827	. Plug - Choke shaft bore	2			E
26	55062A	. Bushing - Body	2			E
27	104728	. Screw - Lever pin	1			E
28	104305	. Pin - Lever	1			E
29	84317	. Lever - Inlet	1			E
30	57172	. Spring - Lever	1			E
31	83753	. Needle - Inlet valve	1			E
32	84942	. Screw - Circuit plate	3			E
33	84938	. Plate - Circuit	1			E
34	84944	. Diaphragm - Check valve	1			E
35	84945	. Gasket - Circuit plate	1			E
	84946	. Gasket - Circuit plate	1			E

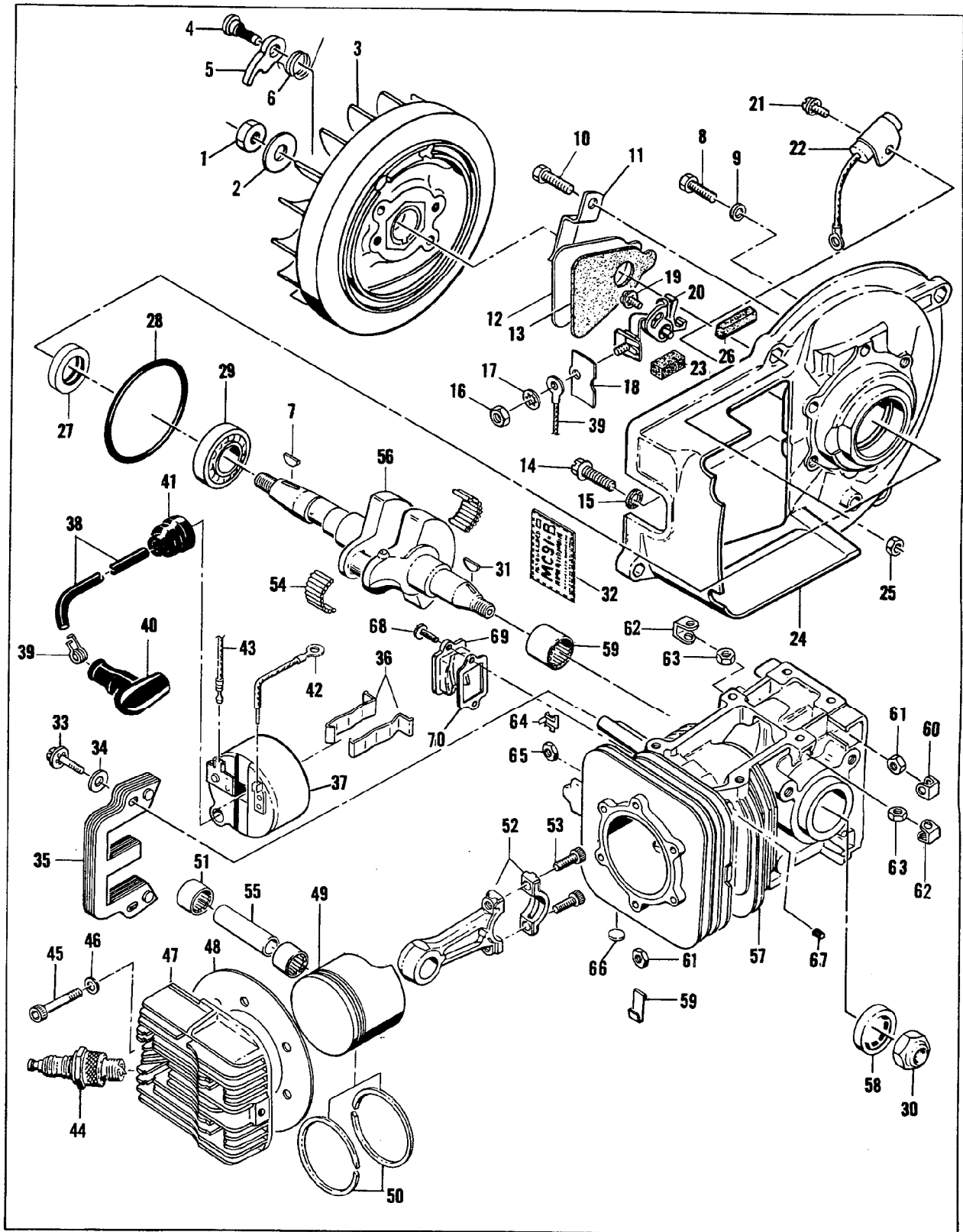


Figure 4. Powerhead Assembly

FIGURE 4. POWERHEAD ASSEMBLY

Item No.	Part Number	Description	Units Per Assy	Usable on Code		
MC 91 Series Usable on Code						
	Model	MC 91	MC 91	MC 91A	MC 91C	MC 91B
	Letter	A	B	C	D	E
	Serial Numbers	Without Prefix	Prefixed 10-	Prefixed 11-	Prefixed 12-	Prefixed 13-, A12-
1	101179	Nut - Hex 7/16-20	1	All		
2	101270	Washer - 7/16	1	All		
3	68280	Flywheel Assy	1	A,B,C,E		
	68282	Flywheel & Pawl Assy	1	D		
4	36144B	. Pin - Starter pawl	2	D		
5	24093	. Pawl - Starter	2	D		
6	50582	. Spring - Pawl	2	D		
7	103879	Key - Woodruff	1	All		
8	102289	Screw - Hex hd 10-24 x 3/4	3	All		
9	102189	Washer - #10	3	All		
10	104815	Screw - Hex hd 10-24 x 7/8 (SEMS)	1	All		
11	50671	Retainer - Breaker box cover	1	All		
12	50588A	Cover - Breaker box	1	All		
13	65584	Gasket - Breaker box	1	All		
14	55494	Screw Assy - Sealing	2	All		
15	55492	. Washer - Sealing	2	All		
16	100251	Nut - Hex 8-32	1	All		
17	100057	Lockwasher - #8	1	All		
18	50381A	Insulator - Breaker terminal	1	All		
19	103672	Screw - Fil hd 8-32 x 1/2 (SEMS)	1	All		
20	50076A	Breaker Assy	1	All		
21	103672	Screw - Fil hd 8-32 x 1/2 (SEMS)	1	All		
22	50074	Condenser	1	A,B,C,D		
	61650	Condenser	1	E		
23	50664	Felt - Breaker box	1	All		
24	57126A	Cover - Crankcase	1	All		
25	101326	. Nut - Hex 10-24	2	All		
26	54184	. Wiper - Felt	1	All		
27	50663	. Seal - Oil	1	All		
28	104523	"O" Ring	1	All		
29	100824	Bearing, Ball	1	All		
30	103746	Locknut - Hex 3/8-24	1	All		
31	103879	Key - Woodruff	1	All		
32	65927	Nameplate	1	A,B		
	68900	Nameplate	1	C		
	84705	Nameplate	1	E		
33	104815	Screw - Hex hd 10-24 x 7/8 (SEMS)	2	All		
34	100352	Washer - #10	2	All		
35	51251	Lamination Assy	1	All		
36	51253	Retainer - Coil	2	All		
37	57643A	Kit - Coil	1	All		
38	50120	. Wire Assy - Spark plug	1	All		
39	55061	. Connector	1	All		
40	55060	. Boot	1	All		
41	55617	. Nipple	1	All		
42	101883	. Wire Assy - Ground	1	All		
43	57225	. Wire Assy - Primary	1	All		
44	83563	Spark Plug - 14 mm - 0.375 reach	1	A,B,C,D		
	84536	Spark Plug - 14 mm - 0.472 reach	1	E		
45	104534	Screw - Skt hd 10-24 x 1-13/32	6	All		
46	24236	Washer - Special	6	All		
47	63895	Head - Cylinder	1	A,B,C,D		
	84441	Head - Cylinder	1	E		
48	65577	Gasket - Cylinder head	1	A,B,C,E		

This list is continued on next page

FIGURE 4. POWERHEAD ASSEMBLY (CONT.)

Item No.	Part Number	Description	Units Per Assy	Usable on Code
	69760	Gasket - Cylinder head	1	D
49	68898	Piston Assy	1	A,B,C,E
50	47767	. Ring Set - Piston	1	A,B,C,E
51	101206	. Bearing - Needle	2	A,B,C,D
	104519	. Bearing - Needle	2	E
52	47903	Connecting Rod Assy	1	All
53	60210A	. Screw - Skt hd special	2	All
54	69891	. Roller - Needle	24	All
55	62831	Pin - Piston	1	A,B,C,D
	69408	Pin - Piston	1	E
56	48586C	Crankshaft	1	All
57	65913	Crankcase Assy	1	A,B
	68901	Crankcase Assy	1	C,D
	84325	Crankcase Assy	1	E
58	* 104128	. Seal - Oil	1	A,B
	** 81949	. Seal - Oil	1	C,D,E
59	104858	. Bearing - Needle	1	All
60	18556A	. Retainer - Nut	4	All
61	101143	. Nut - Hex 1/4-20	4	All
62	28053	. Retainer - Nut	2	All
63	57063	. Retainer - Nut	4	All
64	104255	. Retainer - Nut	2	All
65	101326	. Nut - Hex 10-24	8	All
66	110179	. Plug - Expansion 1/2 in.	3	All
67	83374	. Insert - Taplok	2	A,B,C,D
68	110196	Screw - Pan hd 8-32 x 7/16 s/t	2	A,B,C,D
69	65917	Cover - Boost port	1	A,B,C,D
70	68924	Gasket - Port cover	1	A,B,C,D

* Rubber lip seal with garter spring. Install with lip of seal inward.

** Rubber lip seal with teflon (blue color) backing. Install with lip of seal outward.

ACCESSORIES

Part Number	Description	Usable on Code
MC 91 Series Usable on Code		
Model	MC 91 MC 91 MC 91A MC 91C MC 91B	
Letter	A B C D E	
Serial Numbers	Without Prefix Prefixed 10- Prefixed 11- Prefixed 12- Prefixed 13-, A12-	
68899	Piston Assy - 0.005 in. oversize	All
66790	. Ring Set - Piston 0.005 in. oversize	All
68897	Piston Assy - 0.010 in. oversize	All
47768	. Ring set - Piston 0.010 in. oversize	All
13639A	Clutch, Drum, Bearing & Sprocket Assy - 10 tooth .	All
60315	. Clutch Assy	All
48736A	. Drum, Bearing & Sprocket Assy - 10 tooth	All
104460	. . Bearing - Needle	All
48737	. . Spacer - Sprocket	All
13638A	Clutch, Drum, Bearing & Sprocket Assy - 11 tooth .	All
60315	. Clutch Assy	All
48734A	. Drum, Bearing & Sprocket Assy - 11 tooth	All
104460	. . Bearing - Needle	All
48737	. . Spacer, Sprocket	All
13637A	Clutch, Drum, Bearing & Sprocket Assy - 12 tooth .	All
60315	. Clutch Assy	All
48714A	. Drum, Bearing & Sprocket Assy - 12 tooth	All
104460	. . Bearing - Needle	All
48737	. . Spacer - Sprocket	All
48637	Sprocket - 10 tooth	All
48638	Sprocket - 11 tooth	All
48639	Sprocket - 12 tooth	All
48711D	Kit - Rewind starter	All
48662	Kit - Engine mounting stud	All
68047	Kit - Piston pin & bearing tool	All
68959	Kit - Tuned exhaust (vertical)	All
68960	Kit - Tuned exhaust (horizontal)	All
65712	Guide - Timing	All
48609	Header - Exhaust	All
66793	Decal - McCulloch powered	All
66794	Decal - McCulloch	All
65946	Manual - Kart engine	All