

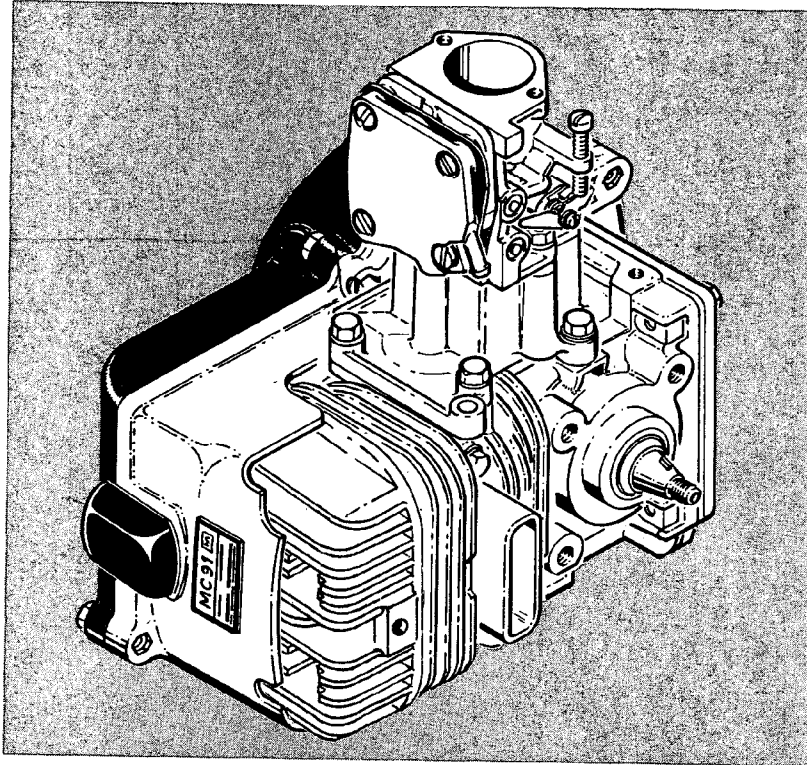
Kart Engine

MC 91

Serial Numbers Prefixed 10-

ILLUSTRATED PARTS LIST

JANUARY 1968



The policy of McCulloch Corporation is one of continual improvement in design, manufacturing and engineering advancement wherever possible to assure still finer two-cycle power tools. Hence, specifications, equipment, colors, design and manufacturer's suggested list prices are subject to change without notice and McCulloch Corporation reserves the right to make such changes without prior notification or obligation to backfit or supply backfit components for units previously shipped from the factory.

	Page
Figure 1. Engine Exploded View - General . . .	2
Figure 2. Carburetor Assembly	4
Figure 3. Powerhead Assembly	6



McCULLOCH

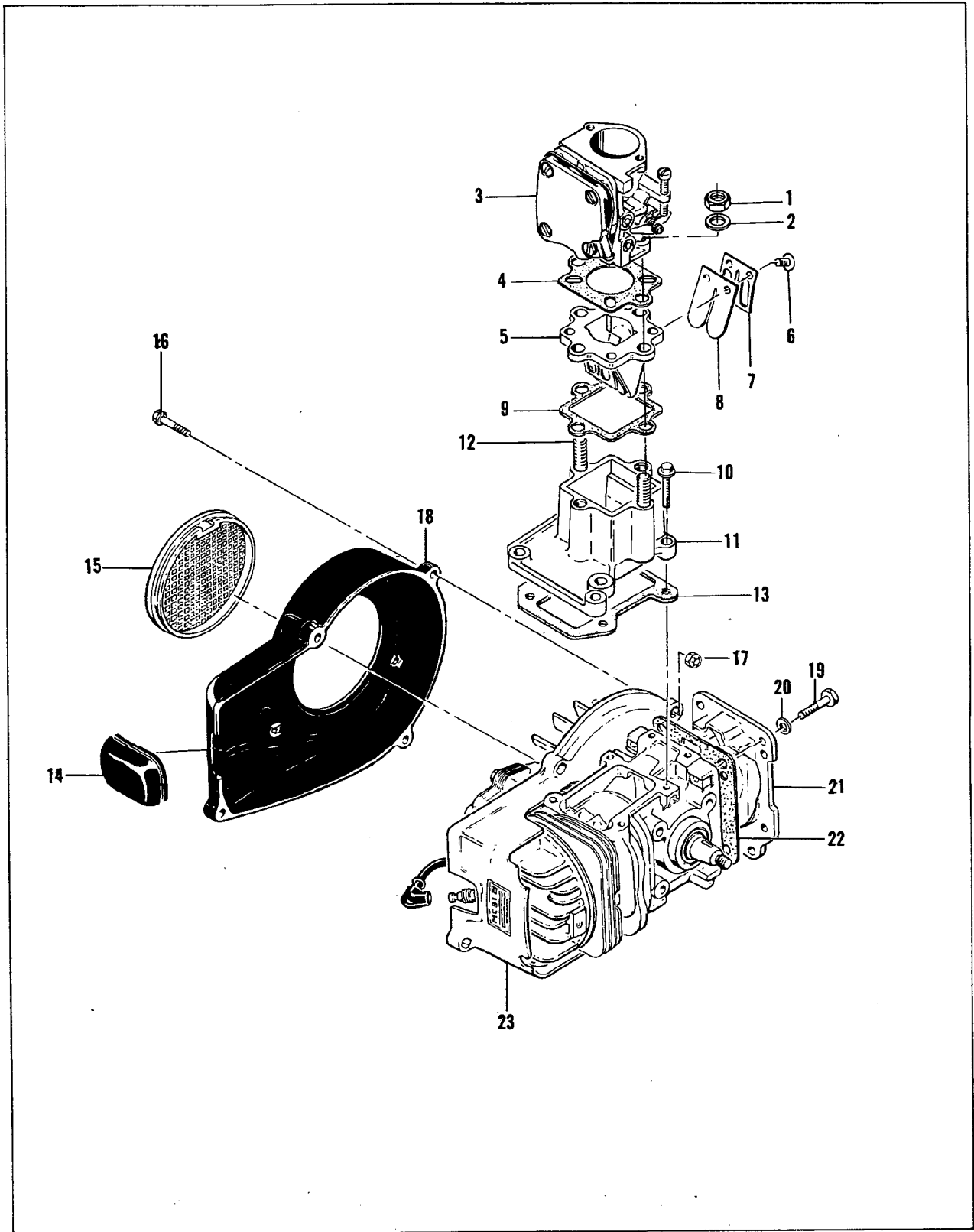


Figure 1. Engine Exploded View - General

FIGURE 1. ENGINE EXPLODED VIEW — GENERAL

Item No.	Part Number	Description	Units Per Assy
1	100249	Nut - Hex 1/4-28	2
2	100153	Lockwasher - 1/4	2
3		Carburetor Assy (See Figure 2)	1
4	65939	Gasket - Carburetor	1
5	-68091	Valve Assy - Reed block	1
6	103064	. Screw - Rd hd 6-32 x 1/4	4
7	65904	. Plate - Clamp	2
8	-68074	. Valve - Reed	2
9	65937	Gasket - Reed block	1
10	103947	Screw - Hex hd 10-24 x 1	4
11	65936	Adapter Assy - Carburetor	1
12	47868	. Stud - Adapter	2

Item No.	Part Number	Description	Units Per Assy
13	48516	Gasket - Adapter	1
14	57565	Cover Assy - Spark plug	1
15	55615	Guard	1
16	104815	Screw - Hex hd 10-24 x 7/8	4
17	101326	Nut - Hex 10-24	2
18	61133	Fan Housing Assy	1
19	101982	Screw - Hex hd 1/4-20 x 1	4
20	13643	Washer - Special	4
21	58139A	Cover - Crankcase bottom	1
22	65578	Gasket - Crankcase bottom cover	1
23		Powerhead Assy (See Figure 3)	1

Part numbers which have changed since the previous printing of the illustrated parts list covering this model, are indicated by a dash (-) preceding the new part number. The dash precedes part numbers changed by a letter suffix as well as those changed to an entirely new number.

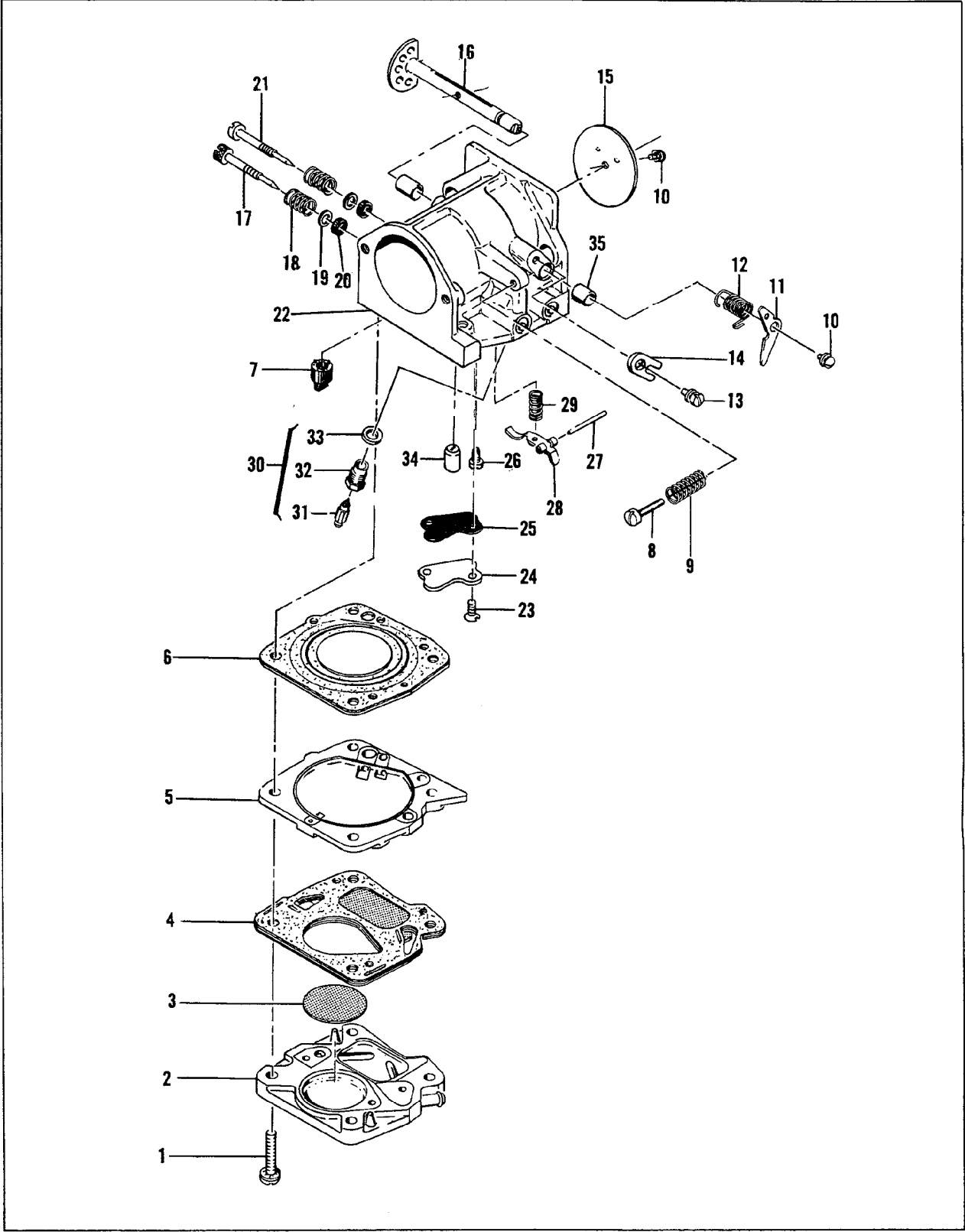


Figure 2. Carburetor Assembly

FIGURE 2. CARBURETOR ASSEMBLY

Item No.	Part Number	Description	Units Per Assy
	65929	Carburetor Assy	1
1	104520	. Screw - Pan hd 10-24 x 7/8 (Sems)	4
2	48898	. Body - Fuel pump	1
3	48911	. Filter - Fuel pump	1
4	66442	. Diaphragm Assy - Fuel pump	1
5	66093	. Plate - Diaphragm	1
6	66092	. Diaphragm - Carburetor	1
7	53766A	. Valve - Check	1
8	-55397	. Screw - Idle adjustment	1
9	-51705	. Spring - Idle screw	1
10	104814	. Screw - 4-40 x 1/4 (Sems)	2
11	50701A	. Arm - Throttle shaft	1
12	65935	. Spring - Throttle return	1
13	110055	. Screw - 8-32 x 3/8 (Sems)	1
14	55082	. Clip - Shaft	1
15	65934	. Plate - Throttle	1
16	65932	. Shaft Assy - Throttle	1
17	-67263	. Needle - Main adjustment	1

Item No.	Part Number	Description	Units Per Assy
18	52936	. Spring - Needle	2
19	52937	. Washer - Packing	2
20	52938	. Packing - Needle	2
21	-67264	. Needle - Idle adjustment	1
22	65943	. Body Assy - Carburetor	1
23	103460	. . Screw - Fl hd 4-40 x 1/4	2
24	66097	. . Cover - Capillary	1
25	66098	. . Gasket - Capillary cover	1
26	104728	. . Screw - Bind hd 6-32 x 1/4	1
27	104305	. . Pin - Lever	1
28	55688	. . Lever - Inlet control	1
29	-66780	. . Spring - Inlet lever	1
30	60163A	. . Set - Needle and valve	1
31	63038	. . . Needle - Valve	1
32	58969	. . . Body - Valve	1
33	55689	. . . Washer - Valve	1
34	65611	. . Valve Assy - Check	1
35	55062A	. . Bushing - Shaft	2

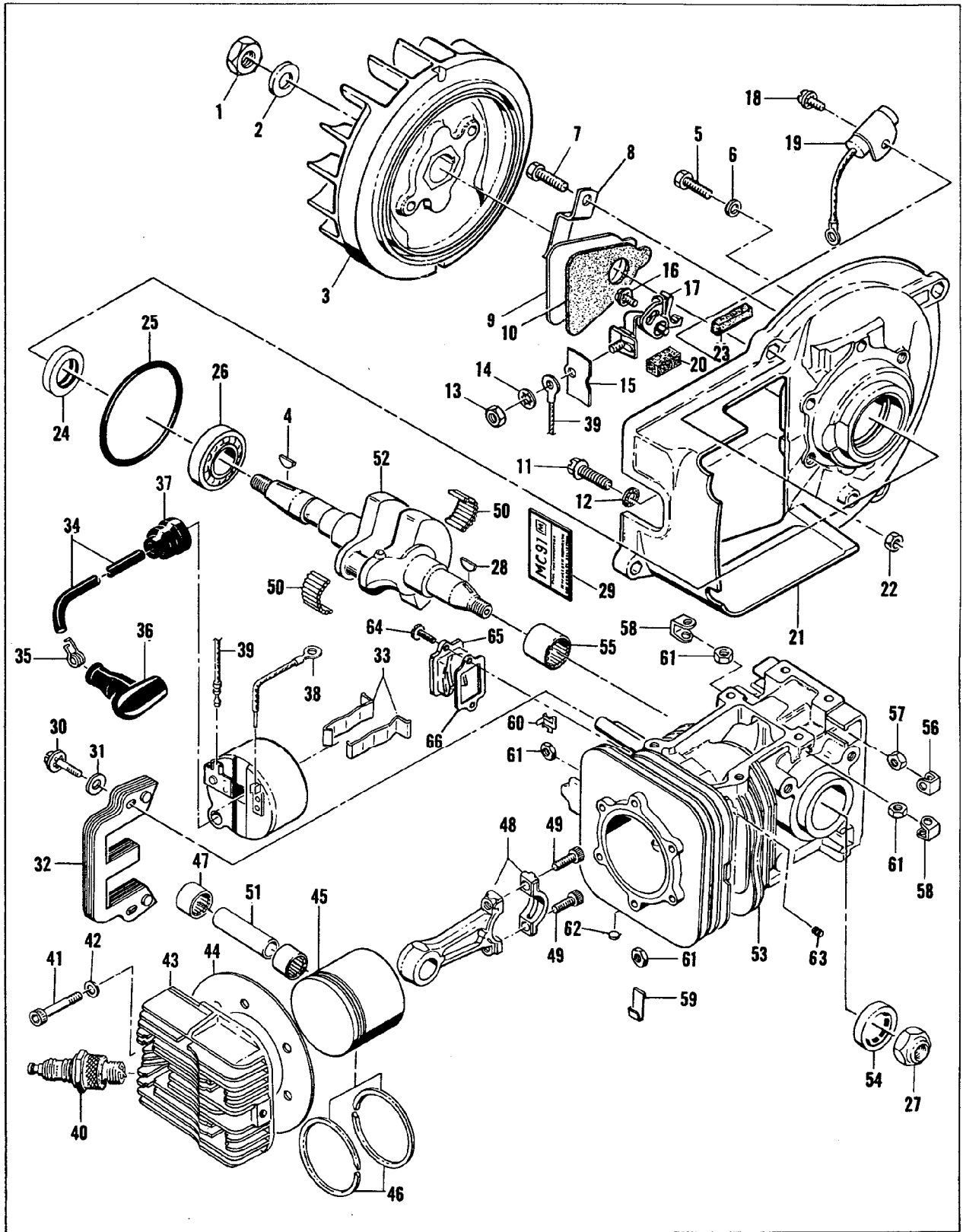


Figure 3. Powerhead Assembly

FIGURE 3. POWERHEAD ASSEMBLY

Item No.	Part Number	Description	Units Per Assy
1	101179	Nut - Hex 7/16-20	1
2	101270	Washer - Special	1
3	-68280	Flywheel Assy	1
4	103879	Key - Woodruff	1
5	102289	Screw - Hex hd 10-24 x 3/4	3
6	102189	Washer - #10	3
7	104815	Screw - Hex hd 10-24 x 7/8	1
8	50671	Retainer - Breaker box cover	1
9	50588A	Cover - Breaker box	1
10	65584	Gasket - Breaker box	1
11	55494	Screw Assy - Sealing hex hd #10	2
12	55492	. Washer - Sealing #10	2
13	100251	Nut - Hex 8-32	1
14	100057	Lockwasher - Internal #8	1
15	50381A	Insulator - Breaker terminal	1
16	103672	Screw - Fil hd 8-32 x 1/2 (Sems)	1
17	50076A	Breaker Assy	1
18	103672	Screw - Fil hd 8-32 x 1/2 (Sems)	1
19	50074	Condenser	1
20	50664	Felt - Breaker box	1
21	57126A	Cover - Crankcase Assy	1
22	101326	. Nut - Hex 10-24	2
23	54184	. Wiper - Crankcase cover felt	1
24	50663	. Oil Seal - Crankcase	1
25	104523	"O" Ring	1
26	100824	Bearing - Ball	1
27	103746	Locknut - Hex 3/8-24	1
28	103879	Key - Woodruff	1
29	65927	Nameplate	1
30	104815	Screw - Hex hd 10-24 x 7/8	2
31	100352	Washer - #10	2
32	51251	Lamination Assy	1
33	51253	Retainer - Coil	2

Item No.	Part Number	Description	Units Per Assy
	57643A	Kit - Coil	1
34	57648	. Wire Assy - Spark plug	1
35	55061	. Connector	1
36	55060	. Boot	1
37	55617	. Nipple	1
38	101883	. Wire Assy - Ground	1
39	-57225	. Wire Assy - Primary	1
40		Spark Plug - 14 mm	1
41	104534	Screw - Socket hd 10-24 x 1-13/32	6
42	24236	Washer - #10	6
43	63895	Head - Cylinder	1
44	65577	Gasket - Cylinder	1
45	-67087	Piston Assy - Standard	1
46	47767	. Ring Set - Piston standard	1
47	101206	. Bearing - Needle	2
48	47903	Connecting Rod Assy	1
49	60210A	. Screw - Socket hd 10-32 x 5/8	2
50	102742	. Roller - Needle	24
51	62831	Pin - Piston	1
52	48586C	Crankshaft	1
53	65913	Crankcase Assy	1
54	104128	. Oil Seal	1
55	104858	. Bearing - Needle	1
56	18556A	. Retainer - Nut	4
57	101143	. Nut - Hex 1/4-20	4
58	28053	. Retainer - Nut	2
59	57063	. Retainer - Nut	4
60	104255	. Retainer - Nut	2
61	101326	. Nut - Hex 10-24	8
62	110179	. Plug - Expansion 1/2 in.	3
63	110034	. Insert - Taplok	2
64	110196	Screw - Pan hd 8-32 x 7/16 s/t	2
65	65917	Cover - Boost port	1
66	65916	Gasket - Port cover	1

ACCESSORIES

Part Number	Description
65946	Manual - Kart engine
-67088	Piston Assy - 0.010 inch oversize
47768	. Ring Set - Piston 0.010 inch oversize
13639A	Clutch, Drum, Bearing & Sprocket Assy - 10 tooth
13638A	Clutch, Drum, Bearing & Sprocket Assy - 11 tooth
13637A	Clutch, Drum, Bearing & Sprocket Assy - 12 tooth
48736A	Drum, Bearing & Sprocket Assy - 10 tooth
104460	. Bearing - Clutch drum
48737	. Spacer - Sprocket
48734A	Drum, Bearing & Sprocket Assy - 11 tooth
48714A	Drum, Bearing & Sprocket Assy - 12 tooth

Part Number	Description
48712A	Clutch Assy
48637	Sprocket - 10 tooth
48638	Sprocket - 11 tooth
48639	Sprocket - 12 tooth
48711D	Kit - Starter
48662	Kit - Engine mounting studs
65712	Timing Guide
48609	Header - Exhaust
-66409	Kit - Hi Capacity Needle Valve
-68047	Kit - Piston Pin & Bearing Tool
-66787	Piston Assy - 0.005 inch oversize
-66790	. Ring Set - Piston 0.005 inch oversize
-66793	Decal - McCulloch Powered
-66794	Emblem - McCulloch
-66150	Kit - Tuned Exhaust (vertical)
-66160	Kit - Tuned Exhaust (horizontal)