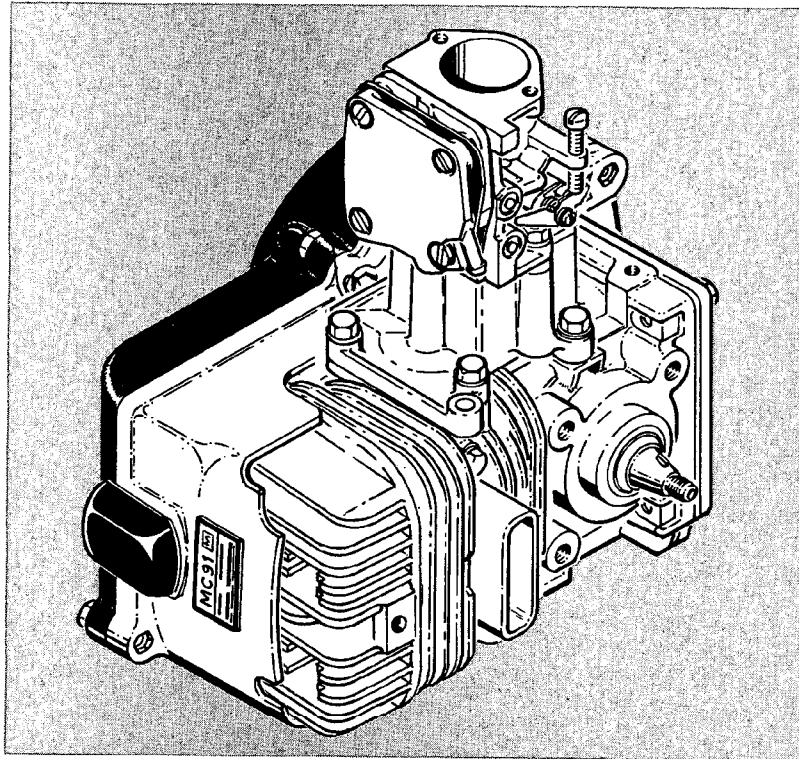


# Kart Engine

# MC 91

# ILLUSTRATED PARTS LIST



JANUARY 1967

The following pages contain item-numbered illustrations of the service parts for this engine. Facing each illustration are lists which give the description and the quantity of required each service part.

Part numbers will be found on the parts list sheet covering the serial number block of the particular engine. Locate the figure and item in this book, of the part in which you are interested. Then turn to the appropriate parts list sheet and following the figure and item number will be found the correct part number of the service part.

When changes in this parts list occur, either in the illustrations, in part numbers or in quantities used, these differences will be explained or shown on a superseding parts list sheet.

	Page
Figure 1. . Engine Exploded View - General . . .	2
Figure 2. Carburetor Assembly . . . . .	4
Figure 3. Powerhead Assembly . . . . .	6

 **McCULLOCH**

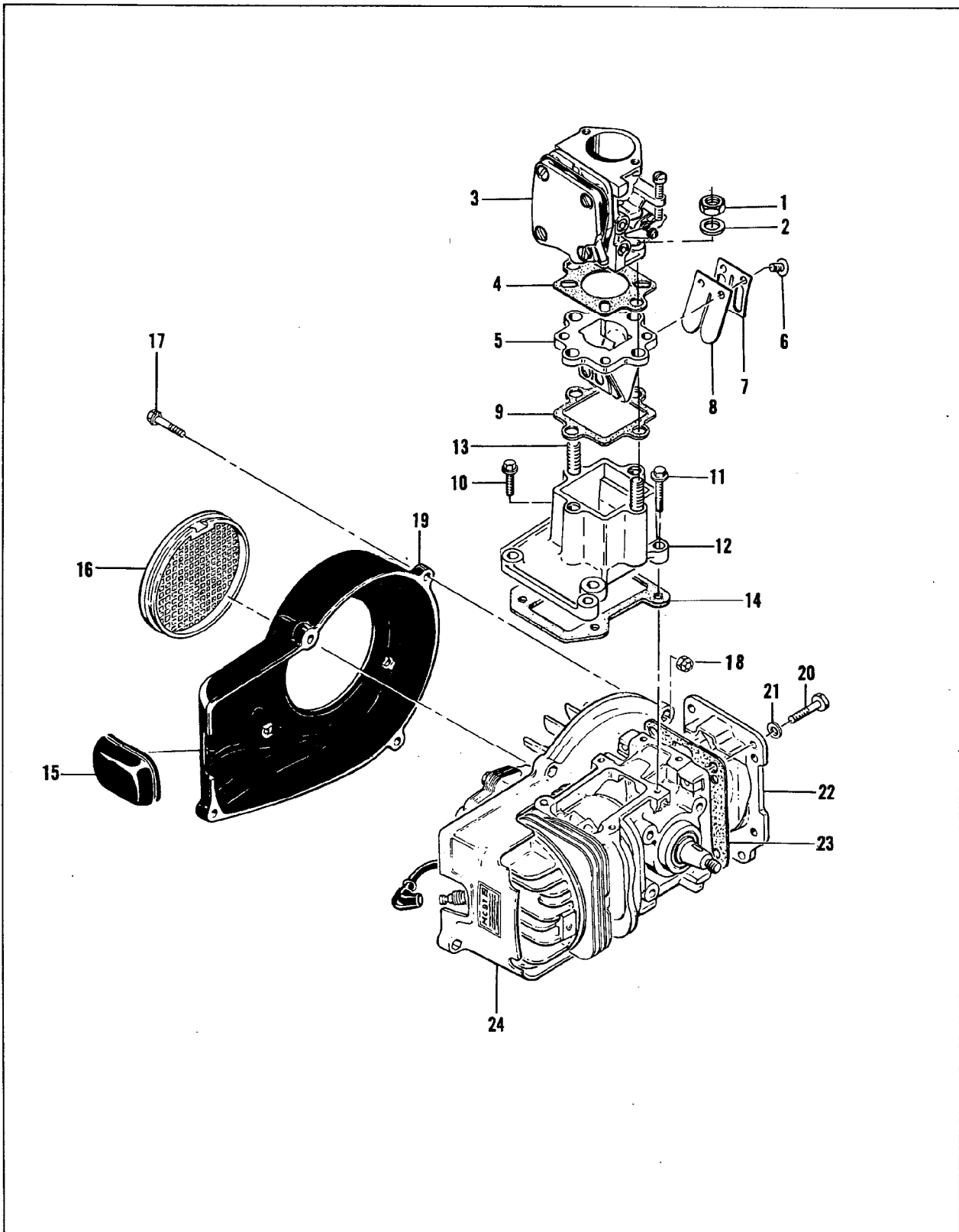


Figure 1. Engine Exploded View - General

FIGURE 1. ENGINE EXPLODED VIEW — GENERAL

Item No.	Description	Units Per Assy
1	Nut - Hex 1/4-28	2
2	Lockwasher - 1/4	2
3	Carburetor Assy (See Figure 2)	1
4	Gasket - Carburetor	1
5	Valve Assy - Reed block	1
6	. Screw - Rd hd 6-32 x 1/4	4
7	. Plate - Clamp	2
8	. Valve - Reed	2
9	Gasket - Reed block	1
10	Screw - Hex hd 10-24 x 7/8	1
11	Screw - Hex hd 10-24 x 1	3
12	Adapter Assy - Carburetor	1

Item No.	Description	Units Per Assy
13	. Stud - Adapter	2
14	Gasket - Adapter	1
15	Cover Assy - Spark plug	1
16	Guard	1
17	Screw - Hex hd 10-24 x 7/8	4
18	Nut - Hex 10-24	2
19	Fan Housing Assy	1
20	Screw - Hex hd 1/4-20 x 1	4
21	Washer - Special	4
22	Cover - Crankcase bottom	1
23	Gasket - Crankcase bottom cover	1
24	Powerhead Assy (See Figure 3)	1

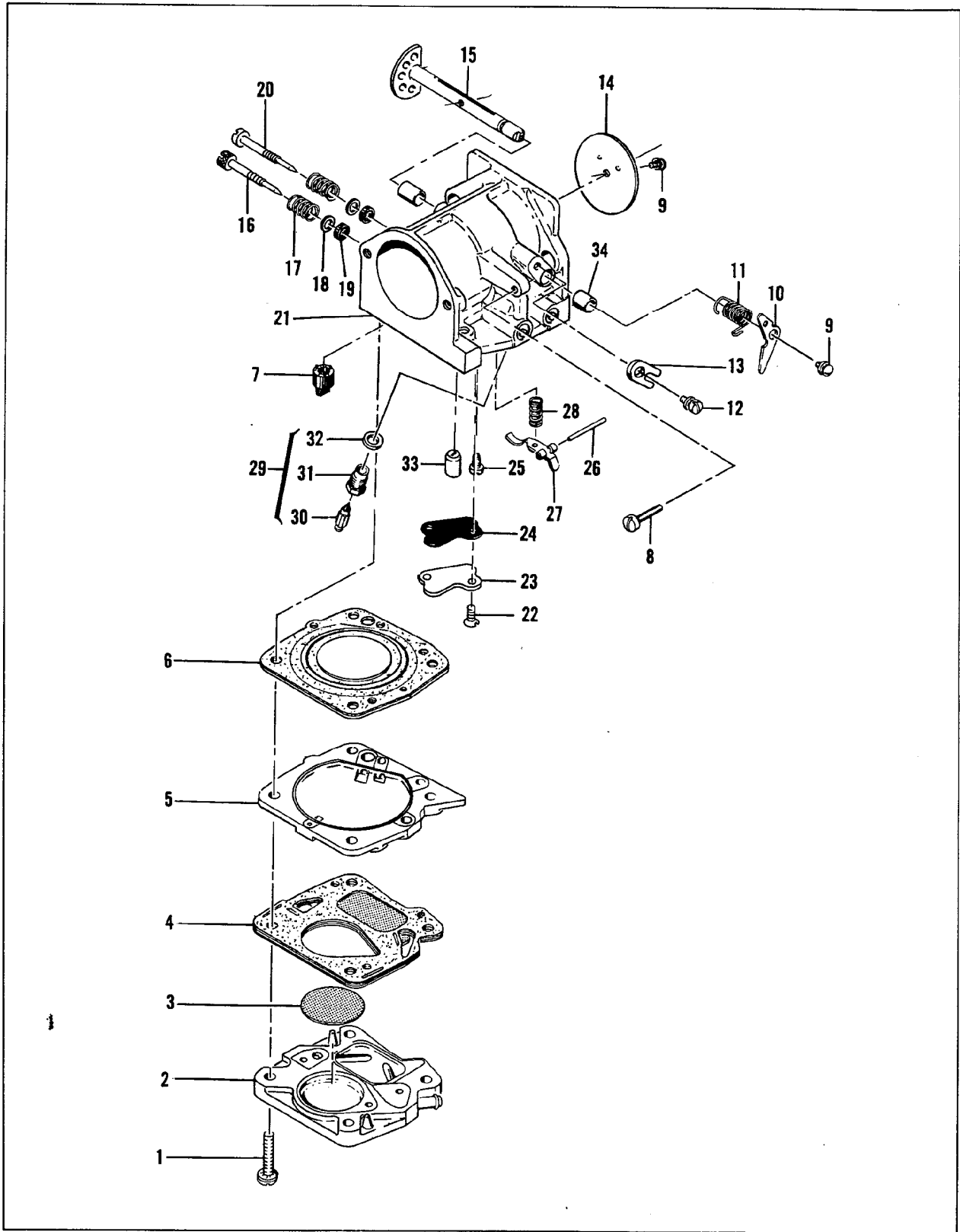


Figure 2. Carburetor Assembly

FIGURE 2. CARBURETOR ASSEMBLY

Item No.	Description	Units Per Assy
	Carburetor Assy	1
1	. Screw - Pan hd 10-24 x 7/8 (Sems)	4
2	. Body - Fuel pump	1
3	. Filter - Fuel pump	1
4	. Diaphragm Assy - Fuel pump	1
5	. Plate - Diaphragm	1
6	. Diaphragm - Carburetor	1
7	. Valve - Check	1
8	. Screw - Idle adjustment	1
9	. Screw - 4-40 x 1/4 (Sems)	2
10	. Arm - Throttle shaft	1
11	. Spring - Throttle return	1
12	. Screw 8-32 x 3/8 (Sems)	1
13	. Clip - Shaft	1
14	. Plate - Throttle	1
15	. Shaft Assy - Throttle	1
16	. Needle - Main adjustment	1
17	. Spring - Needle	2

Item No.	Description	Units Per Assy
18	. Washer - Packing	2
19	. Packing - Needle	2
20	. Needle - Idle adjustment	1
21	. Body Assy - Carburetor	1
22	. . Screw - Fl hd 4-40 x 1/4	2
23	. . Cover - Capillary	1
24	. . Gasket - Capillary cover	1
25	. . Screw - Bind hd 6-32 x 1/4	1
26	. . Pin - Lever	1
27	. . Lever - Inlet control	1
28	. . Spring - Inlet lever	1
29	. . Set - Needle and valve	1
30	. . . Needle - Valve	1
31	. . . Body - Valve	1
32	. . . Washer - Valve	1
33	. . Valve Assy - Check	1
34	. . Bushing - Shaft	2

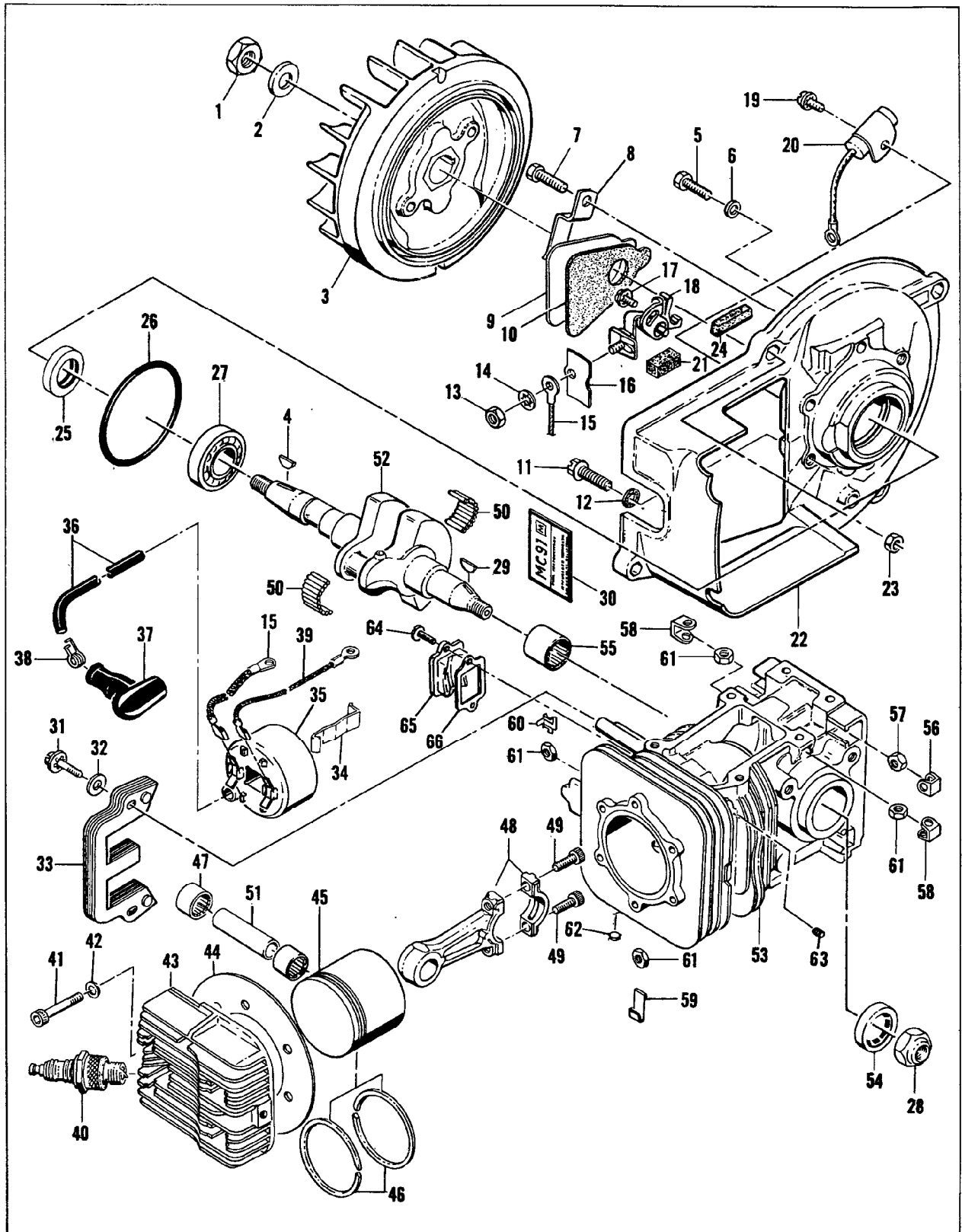


Figure 3. Powerhead Assembly

FIGURE 3. POWERHEAD ASSEMBLY

Item No.	Description	Units Per Assy
1	Nut - Hex 7/16-20	1
2	Washer - Special	1
3	Flywheel Assy	1
4	Key - Woodruff	1
5	Screw - Hex hd 10-24 x 3/4	3
6	Washer - #10	3
7	Screw - Hex hd 10-24 x 7/8	1
8	Retainer - Breaker box cover	1
9	Cover - Breaker box	1
10	Gasket - Breaker box	1
11	Screw Assy - Sealing hex hd #10	2
12	. Washer - Sealing #10	2
13	Nut - Hex 8-32	1
14	Lockwasher - Internal #8	1
15	Wire Assy - Primary	1
16	Insulator - Breaker terminal	1
17	Screw - Fil hd 8-32 x 1/2 (Sems)	1
18	Breaker Assy	1
19	Screw - Fil hd 8-32 x 1/2 (Sems)	1
20	Condenser	1
21	Felt - Breaker box	1
22	Cover - Crankcase Assy	1
23	. Nut - Hex 10-24	2
24	. Wiper - Crankcase cover felt	1
25	. Oil Seal - Crankcase	1
26	"O" Ring	1
27	Bearing - Ball	1
28	Locknut - Hex 3/8-24	1
29	Key - Woodruff	1
30	Nameplate	1
31	Screw - Hex hd 10-24 x 7/8	2
32	Washer - #10	2
33	Lamination Assy	1

Item No.	Description	Units Per Assy
34	Retainer - Coil	1
35	Coil and Terminal Assy	1
36	. Wire Assy - Spark plug	1
37	. . Boot - Spark plug	1
38	. . Connector	1
39	Wire Assy - Ground	1
40	Spark Plug - 14 mm	1
41	Screw - Socket hd 10-24 x 1-13/32	6
42	Washer - Plain #10	6
43	Head - Cylinder	1
44	Gasket - Cylinder	1
45	Piston Assy - Standard	1
46	. Ring Set - Piston standard	1
47	. Bearing - Needle	2
48	Connecting Rod Assy	1
49	. Screw - Socket No. 10-32 x 5/8	2
50	. Roller - Needle	24
51	Pin - Piston	1
52	Crankshaft	1
53	Crankcase Assy	1
54	. Oil Seal	1
55	. Bearing - Needle	1
56	. Retainer - Nut	4
57	. Nut - Hex 1/4-20	4
58	. Retainer - Nut	2
59	. Retainer - Nut	4
60	. Retainer - Nut	2
61	. Nut - Hex 10-24	8
62	. Plug - Expansion 1/2 in.	3
63	. Insert - Taplok	2
64	Screw - Pan hd 8-32 x 7/16	2
65	Cover - Boost port	1
66	Gasket - Port cover	1

## ACCESSORIES

Item No.	Description
1	Manual - Kart engine
2	Piston Assy - 0.010-inch oversize
3	. Ring Set - Piston 0.010-inch oversize
4	Clutch, Drum, Bearing & Sprocket Assy - 10 tooth
5	Clutch, Drum, Bearing & Sprocket Assy - 11 tooth
6	Clutch, Drum, Bearing & Sprocket Assy - 12 tooth
7	Drum, Bearing & Sprocket Assy - 10 tooth
8	. Bearing - Clutch drum
9	. Spacer - Sprocket
10	Drum, Bearing & Sprocket Assy - 11 tooth
11	Drum, Bearing & Sprocket Assy - 12 tooth

Item No.	Description
12	Clutch Assy
13	Sprocket - 10 tooth
14	Sprocket - 11 tooth
15	Sprocket - 12 tooth
16	Header - Exhaust
17	Stack - Intake
18	Kit - Starter
19	Kit - Muffler
20	Kit - Engine mounting
21	Kit - Air cleaner
22	Header - Tuned exhaust
23	Kit - Engine mounting studs
24	Timing Guide
25	Header - Exhaust

Figure and Item numbers are referenced to the Illustrated Parts List, P/N 65942 unless otherwise indicated on this parts list sheet. Numbers in black circles refer to notes at the bottom of the page. Numbers in parenthesis following the part number indicate a quantity change from the illustrated parts list.

FIG. & ITEM	PART NUMBER	NOMENCLATURE	FIG. & ITEM	PART NUMBER	NOMENCLATURE	FIG. & ITEM	PART NUMBER	NOMENCLATURE
1-1	100249	Nut	2-34	55062A	Bushing	3-53	65913	Crankcase
1-2	100153	Lockwasher				3-54	104128	Oil Seal
1-3		Fig. reference				3-55	104858	Bearing
1-4	65939	Gasket	3-1	101179	Nut	3-56	18556A	Retainer
1-5	65938	Valve	3-2	101270	Washer	3-57	101143	Nut
1-6	103064	Screw	3-3	65764	Flywheel	3-58	28053	Retainer
1-7	65904	Plate	3-4	103879	Key	3-59	57063	Retainer
1-8	65903	Valve	3-5	102289	Screw	3-60	104255	Retainer
1-9	65937	Gasket	3-6	102189	Washer	3-61	101326	Nut
1-10	104815	Screw	3-7	104815	Screw	3-62	110179	Plug
1-11	103947	Screw	3-8	50671	Retainer	3-63	110034	Insert
1-12	65936	Adapter	3-9	50588A	Cover	3-64	110196	Screw
1-13	47868	Stud	3-10	65584	Gasket	3-65	65917	Cover
1-14	48516	Gasket	3-11	55494	Screw	3-66	65916	Gasket
1-15	57565	Cover	3-12	55492	Washer			
1-16	55615	Guard	3-13	100251	Nut			
1-17	104815	Screw	3-14	100057	Lockwasher			
1-18	101326	Nut	3-15	51225	① Wire			
1-19	61133	Housing	3-16	50381A	Insulator	1	65946	Manual
1-20	101982	Screw	3-17	103672	Screw	2	65945	Piston Assy
1-21	13643	Washer	3-18	50076A	Breaker	3	47768	Ring Set
1-22	58139A	Cover	3-19	103672	Screw	4	13639A	Clutch
1-23	65578	Gasket	3-20	50074	Condenser	5	13638A	Clutch
1-24		Fig. reference	3-21	50664	Felt	6	13637A	Clutch
			3-22	57126A	Cover	7	48736A	Drum
			3-23	101326	Nut	8	104460	Bearing
2-	65929	Carburetor	3-24	54184	Wiper	9	48737	Spacer
2-1	104520	Screw	3-25	50663	Oil Seal	10	48734A	Drum
2-2	48898	Body	3-26	104523	"O" Ring	11	48714A	Drum
2-3	48911	Filter	3-27	100824	Bearing	12	48712A	Clutch
2-4	66442	Diaphragm	3-28	103746	Locknut	13	48637	Sprocket
2-5	66093	Plate	3-29	103879	Key	14	48638	Sprocket
2-6	66092	Diaphragm	3-30	65927	Nameplate	15	48639	Sprocket
2-7	53766A	Valve	3-31	104815	Screw	16	13553	Header
2-8	62910	Screw	3-32	100352	Washer	17	13598	Stack
2-9	104814	Screw	3-33	51251	Lamination	18	48711D	Kit
2-10	50701A	Arm	3-34	51253	Retainer	19	14317	Kit
2-11	65935	Spring	3-	57643A	Coil Kit	20	13178A	Kit
2-12	110055	Screw	3-35	57648	Wire	21	48643A	Kit
2-13	55082	Clip	3-36	55061	Connector	22	48645	Header
2-14	65934	Plate	3-37	55060	Boot	23	48662	Kit
2-15	65932	Shaft	3-38	55617	Nipple	24	65712	Guide
2-16	65966	Needle	3-39	101883	Wire	25	48609	Header
2-17	52936	Spring	3-40		Spark Plug			
2-18	52937	Washer	3-41	104534	Screw			
2-19	52938	Packing	3-42	24236	Washer			
2-20	66094	Needle	3-43	63895	Head			
2-21	65943	Body	3-44	65577	Gasket			
2-22	103460	Screw	3-45	65944	Piston			
2-23	66097	Cover	3-46	47767	Ring			
2-24	66098	Gasket	3-47	101206	Bearing			
2-25	104728	Screw	3-48	47903	Connecting			
2-26	104305	Pin	3-49	60210A	Screw			
2-27	55688	Lever	3-50	102742	Roller			
2-28	66441	Spring	3-51	62831	Pin			
2-29	60163A	Set	3-52	48586C	Crankshaft			
2-30	63038	Needle						
2-31	58969	Body						
2-32	55689	Washer						
2-33	65611	Valve						

ACCESSORY ITEMS

**NOTE**  
 ① Primary wire assembly is included in Coil Kit, P/N 57643A