

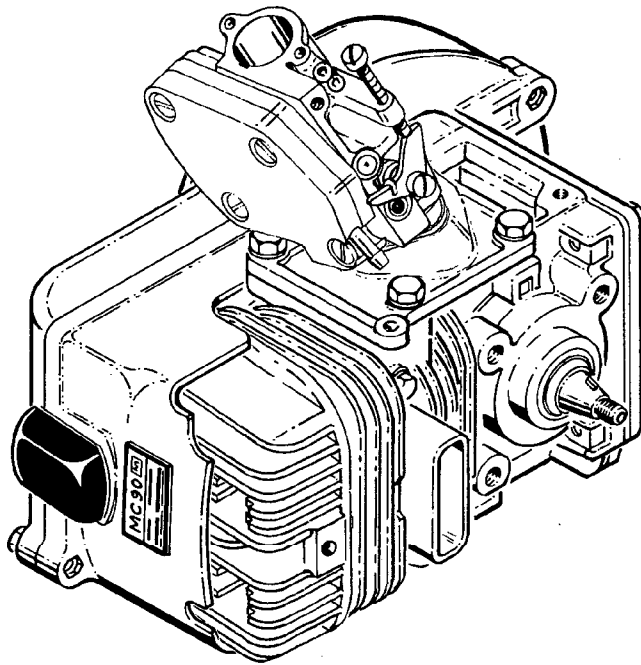
Kart Engine

MC 90

P/N 63900

ILLUSTRATED PARTS LIST

MARCH 1966



The following pages contain an illustrated parts list for the MC 90 Kart Engine. Due to small differences between engines, it is important that the Serial Number of your Kart Engine be included whenever spare parts are ordered. This will assure receiving the proper parts from your dealer.

	Page
Figure 1. Engine Exploded View - General	2
Figure 2. McCulloch Carburetor Assembly	4
Figure 3. Powerhead Assembly	6

McCULLOCH CORPORATION

6101 West Century Boulevard, Los Angeles, California 90045

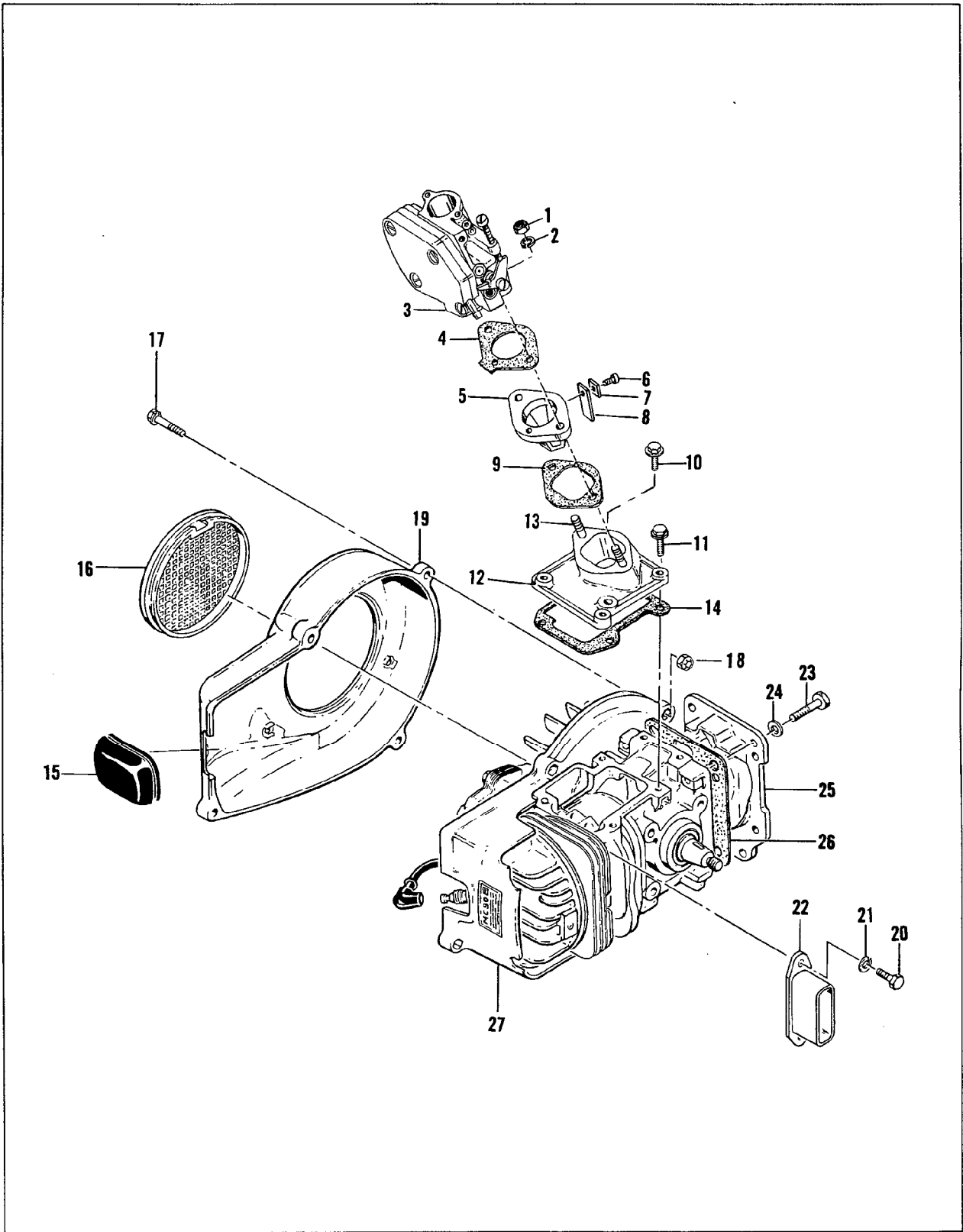


Figure 1. Engine Exploded View - General

FIGURE 1. ENGINE EXPLODED VIEW — GENERAL

Index No.	Part Number	Nomenclature	Units Per Assy
1	100249	Nut - Hex 1/4-28	2
2	100153	Lockwasher - 1/4 in.	2
3	48890B	Carburetor Assy (See Figure 2)	1
4	51161E	Gasket - Carburetor	1
5	47843	Valve Assy - Pyramid reed	1
6	47907	. Screw - Bind hd 4-40 x 1/8 in. lg	6
7	47846	. Plate - Clamp	6
8	47845	. Valve - Reed	6
9	47869	Gasket - Reed valve	1
10	104815	Screw - Hex hd 10-24 x 7/8 in. lg. (SEMS)	1
11	103947	Screw - Hex hd 10-24 x 1 in. lg. (SEMS)	3
12	47915	Adapter Assy - Carburetor	1
13	47868	. Stud - Adapter	2
14	47870	Gasket - Adapter	1
15	57565	Cover Assy - Spark plug	1
16	55615	Guard.	1
17	104815	Screw - Hex hd 10-24 x 7/8 in. lg. (SEMS)	4
18	101326	Nut - Hex 10-24	2
19	61133	Fan Housing Assy.	1
20	102388	Screw - Hex hd 10-24 x 5/8 in. lg	2
21	103100	Lockwasher #10	2
22	48609	Header - Exhaust	1
23	101982	Screw - Hex hd 1/4-20 x 1 in. lg	4
24	13643	Washer - Special	4
25	58139A	Cover - Crankcase bottom	1
26	48909A	Gasket - Crankcase bottom cover	1
27		Powerhead Assy (See Figure 3).	1

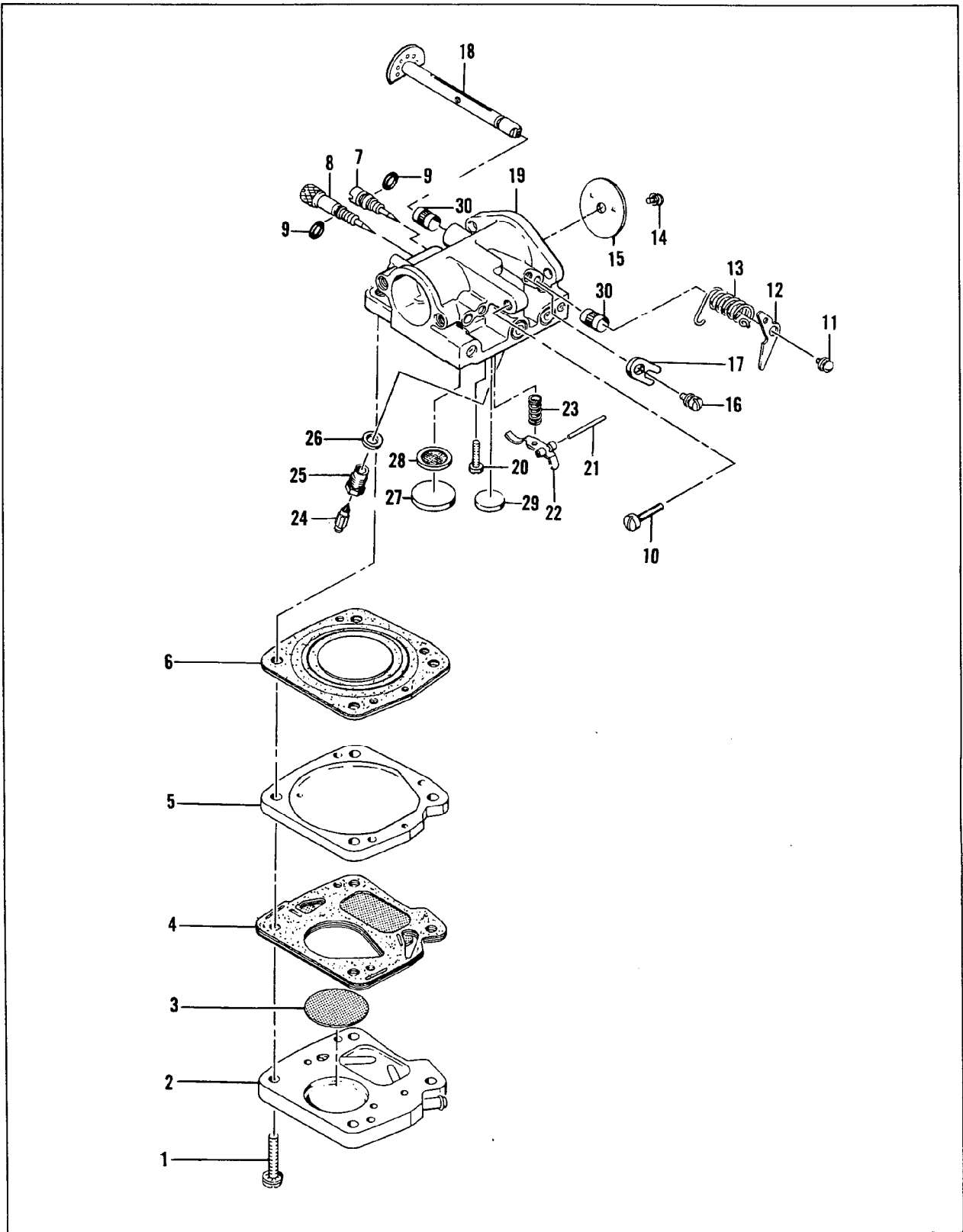


Figure 2. Carburetor Assembly

FIGURE 2. CARBURETOR ASSEMBLY

Index No.	Part Number	Nomenclature	Units Per Assy
	48890B	Carburetor Assy	1
1	104520	. Screw - Pan hd 10-24 x 7/8 in. lg. (SEMS)	4
2	48897	. Body Assy - Fuel pump	1
3	48911	. . Filter - Fuel pump	1
4	57274B	. Diaphragm - Fuel pump	1
5	48901	. Plate - Carburetor diaphragm	1
6	55067C	. Diaphragm	1
7	55090	. Needle - Idle adjusting	1
8	48810	. Needle - Main adjusting	1
9	104001	. "O" Ring	2
10	62910	. Screw - Idle	1
11	104814	. Screw - Pan hd 4-40 x 1/4 in. lg. (SEMS)	1
12	50701A	. Arm - Throttle shaft	1
13	48820	. Spring - Throttle return	1
14	104814	. Screw - Pan hd 4-40 x 1/4 in. lg. (SEMS)	1
15	55085	. Plate - Throttle	1
16	110055	. Screw - Fil hd 5-32 x 3/8 in. lg. (SEMS)	1
17	55082	. Clip - Throttle shaft	1
18	48818A	. Shaft Assy - Throttle	1
19	48907B	. Carburetor Body Assy	1
20	104164	. . Screw - Pan hd 4-40 x 1/4 in. lg.	1
21	104305	. . Pin - Inlet lever	1
22	55688	. . Lever - Inlet control	1
23	57172	. . Spring - Inlet lever	1
	60163A	. . Set - Needle and body valve	1
24	63038	. . . Valve - Needle valve	1
25	58969	. . . Body - Needle valve	1
26	55689	. . . Washer - Valve	1
27	104407	. . Plug - Expansion 1 inch	1
28	55690B	. . Seal - Capillary	1
29	102758	. . Plug - Expansion 1/2 inch	1
30	55062A	. . Bushing - Carburetor body	2

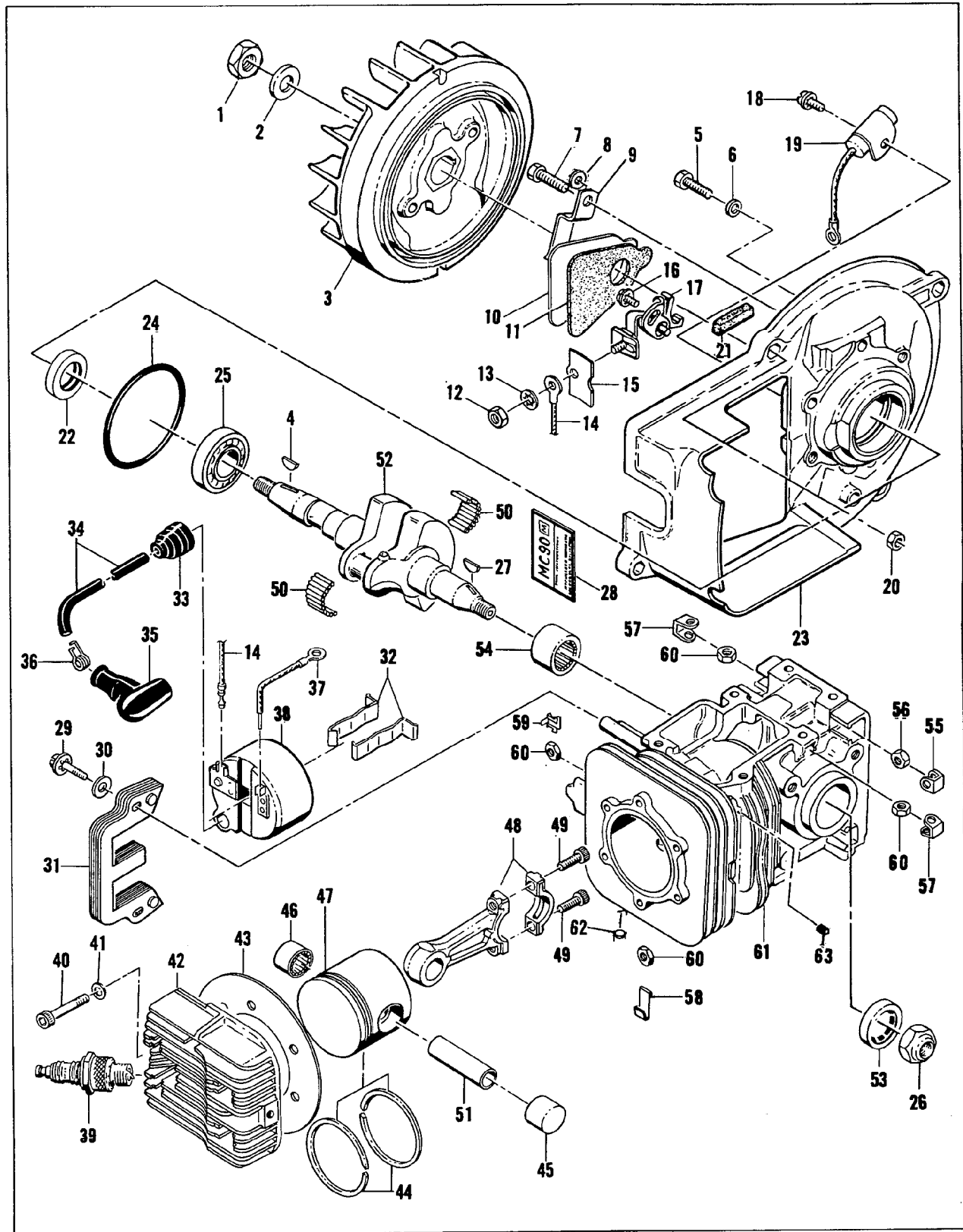


Figure 3. Powerhead Assembly

FIGURE 3. POWERHEAD ASSEMBLY

Index No.	Part Number	Nomenclature	Units Per Assy
1	101179	Nut - Hex 7/16-20	1
2	101270	Washer - Special	1
3	47880A	Flywheel Assy.	1
4	103879	Key - Woodruff	1
5	102289	Screw - Hex hd 10-24 x 3/4 in. lg.	4
6	102189	Washer - Plain #10.	3
7	55494	Screw Assy - Sealing Hex hd #10.	2
8	55492	Washer - Sealing #10	2
9	50671	Retainer - Breaker box cover.	1
10	50588A	Cover - Breaker box.	1
11	50589A	Gasket - Breaker box	1
12	100251	Nut - Hex 8-32.	1
13	100057	Lockwasher - Internal #8.	1
14	57225	Wire Assy - Primary	1
15	50381A	Insulator - Breaker terminal	1
16	103672	Screw - Fil hd 8-32 x 1/2 in. lg. (SEMS).	1
17	50076A	Breaker Assy	1
18	103672	Screw - Fil hd 8-32 x 1/2 in. lg. (SEMS).	1
19	50074	Condenser.	1
	57126A	Cover - Crankcase Assy	1
20	101326	Nut - Hex 10-24.	2
21	54184	Wiper - Crankcase cover felt.	1
22	50663	Oil Seal - Crankcase.	1
23		Cover - Crankcase. (Order Crankcase Cover Assy #57126A)	1
24	104523	"O" Ring.	1
25	100824	Bearing - Ball.	1
26	103746	Locknut - Hex 3/8-24	1
27	103879	Key - Woodruff	1
28	63916	Nameplate.	1
29	101965	Screw - Hex hd 10-24 x 7/8 in. lg. (SEMS)	2
30	100003	Washer - Plain #10.	2
31	51251	Lamination Assy	1
32	51253	Retainer - Coil	2
	55949A	Coil and Terminal Assy.	1
33	55617	Nipple	1
34	52547	Wire Assy - Spark plug.	1
35	55060	Boot - Spark plug.	1
36	55061	Connector.	1
37	101883	Wire Assy - Ground	1
38		Coil Assy. (Order Coil and Terminal Assy #55949A)	1
39		Spark plug - 14 mm	1
40	104534	Screw - Socket hd 10-24 x 1-13/32 in. lg.	6
41	24236	Washer - Plain #10.	6
42	63895	Head - Cylinder.	1
43	48742A	Gasket - Cylinder.	1
	47765	Piston Assy - Standard	1
44	47767	Ring Set - Piston standard.	1
45	104378	Bearing - Needle (closed end).	1
46	101206	Bearing - Needle	1
47		Piston (Order Piston Assy #47765)	1
48	47903	Connecting Rod Assy.	1
49	60210A	Screw - Socket No. 10-32 x 5/8 in. lg.	2
50	102742	Roller - Needle	24
51	62831	Pin - Piston	1
52	48586C	Crankshaft	1
	63909	Crankcase Assy.	1
53	104128	Oil Seal	1
54	104858	Bearing - Needle	1
55	18556A	Retainer - Nut.	4
56	101143	Nut - Hex 1/4-20	4
57	28053	Retainer - Nut.	2

This list is continued on page 8

FIGURE 3. POWERHEAD ASSEMBLY (CONT)

Index No.	Part Number	Nomenclature	Units Per Assy
58	57063	. Retainer - Nut.....	4
59	104255	. Retainer - Nut.....	2
60	101326	. Nut - Hex 10-24.....	8
61		. Crankcase (Order Crankcase Assy #63909)	1
62	110179	. Plug - Expansion 1/2 in.....	3
63	110034	. Insert - Taplok.....	2

OVERSIZE PISTON ASSEMBLY AND ACCESSORIES

Part Number	Nomenclature
47766	Piston Assy - 0.010-inch oversize
47768	. Ring Set - Piston 0.010-inch oversize
13639A	Clutch, Drum, Bearing and Sprocket Assy - 10 tooth
13638A	Clutch, Drum, Bearing and Sprocket Assy - 11 tooth
13637A	Clutch, Drum, Bearing and Sprocket Assy - 12 tooth
48736A	Drum, Bearing and Sprocket Assy - 10 tooth
104460	. Bearing - Clutch drum
48737	. Spacer - Sprocket
48734A	Drum, Bearing and Sprocket Assy - 11 tooth
48714A	Drum, Bearing and Sprocket Assy - 12 tooth
48712A	Clutch Assy
48637	Sprocket - 10 tooth
48638	Sprocket - 11 tooth
48639	Sprocket - 12 tooth
13553	Header - Exhaust
13598	Stack - Intake
48711D	Kit - Starter
48663	Kit - Starter pawl
14317	Kit - Muffler
13178A	Kit - Engine mounting
48643A	Kit - Air cleaner
63905	Manual -Kart Engine
48645	Header - Tuned exhaust