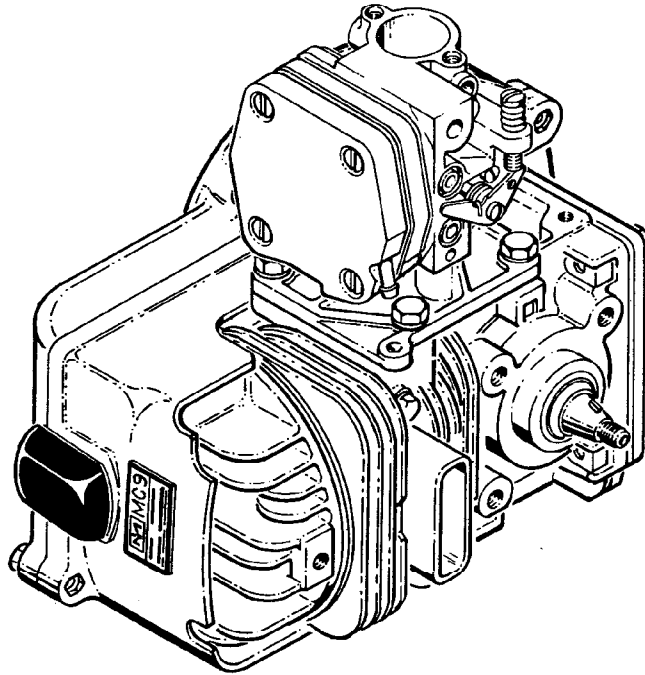


Kart Engine

MC-9

ILLUSTRATED PARTS LIST

JANUARY 1964



The following pages contain an illustrated parts list for the MC-9 Kart Engine. Due to small differences between engines, it is important that the Serial Number of your Kart Engine be included whenever spare parts are ordered. This will assure receiving the proper parts from your dealer.

The McCulloch Corporation reserves the right to modify or change specifications without (1) prior notification or (2) obligation to back-fit or supply back-fit components for units previously shipped from the factory.

	Page
Figure 1. Engine Assembly, Model MC-9 Engine	2
Figure 2. McCulloch Carburetor Assembly	4
Figure 3. Powerhead Assembly	6



MCCULLOCH CORPORATION
6101 West Century Boulevard,
Los Angeles 45, California

COPYRIGHT — 1964
MCCULLOCH CORPORATION

No. 47892
MANUFACTURER'S SUGGESTED LIST PRICE — 50 CENTS

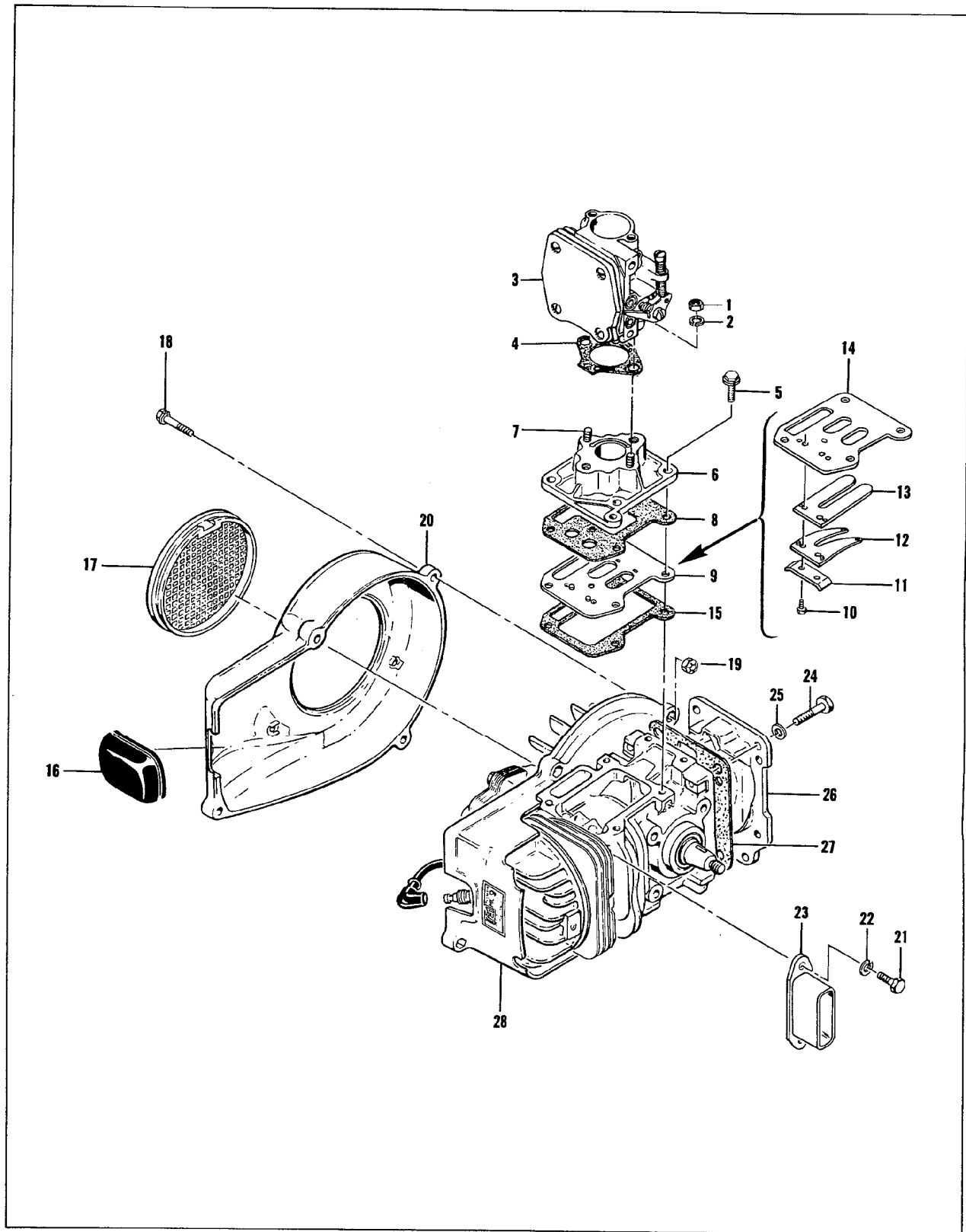


Figure 1. Engine Assembly, Model MC-9 Engine

FIGURE 1. ENGINE ASSEMBLY, MODEL MC-9 ENGINE

Index No.	Part Number	Nomenclature	Units Per Assy
1	100249	Nut - Hex 1/4-28	2
2	100153	Lockwasher - 1/4 in.	2
3	48890B	Carburetor Assy (See figure 2).	1
4	51161D	Gasket - Carburetor	1
5	103947	Screw - Hex hd 10-24 x 1 in. lg (SEMS)	4
6	48608A	Adapter Assy - Carburetor	1
7	48611	. Stud - Adapter	2
8	48604A	Gasket - Adapter	1
9		Reed Valve Plate Assy	1
10	104476	. Screw - Hex hd 8-32 x 5/16 in. lg	2
11	51480	. Lockplate	1
12	48591	. Guard - Reed	1
13	48593	. Valve - Reed	1
14	48592	. Plate - Reed	1
15	48605	Gasket - Reed plate	1
16	57565	Cover Assy - Spark plug	1
17	55615	Guard	1
18	104815	Screw - Hex hd 10-24 x 7/8 in. lg (SEMS)	4
19	101191	Nut - Hex 10-24	2
20	48796B	Fan Housing Assy	1
21	102388	Screw - Hex hd 10-24 x 5/8 in. lg	2
22	103100	Lockwasher #10	2
23	48609	Header - Exhaust	1
24	101982	Screw - Hex hd 1/4-20 x 1 in. lg	4
25	100311	Washer - Plain 1/4 in.	4
26	58139A	Cover - Crankcase bottom	1
27	48909A	Gasket - Crankcase bottom cover	1
28		Powerhead Assy (See figure 3)	1

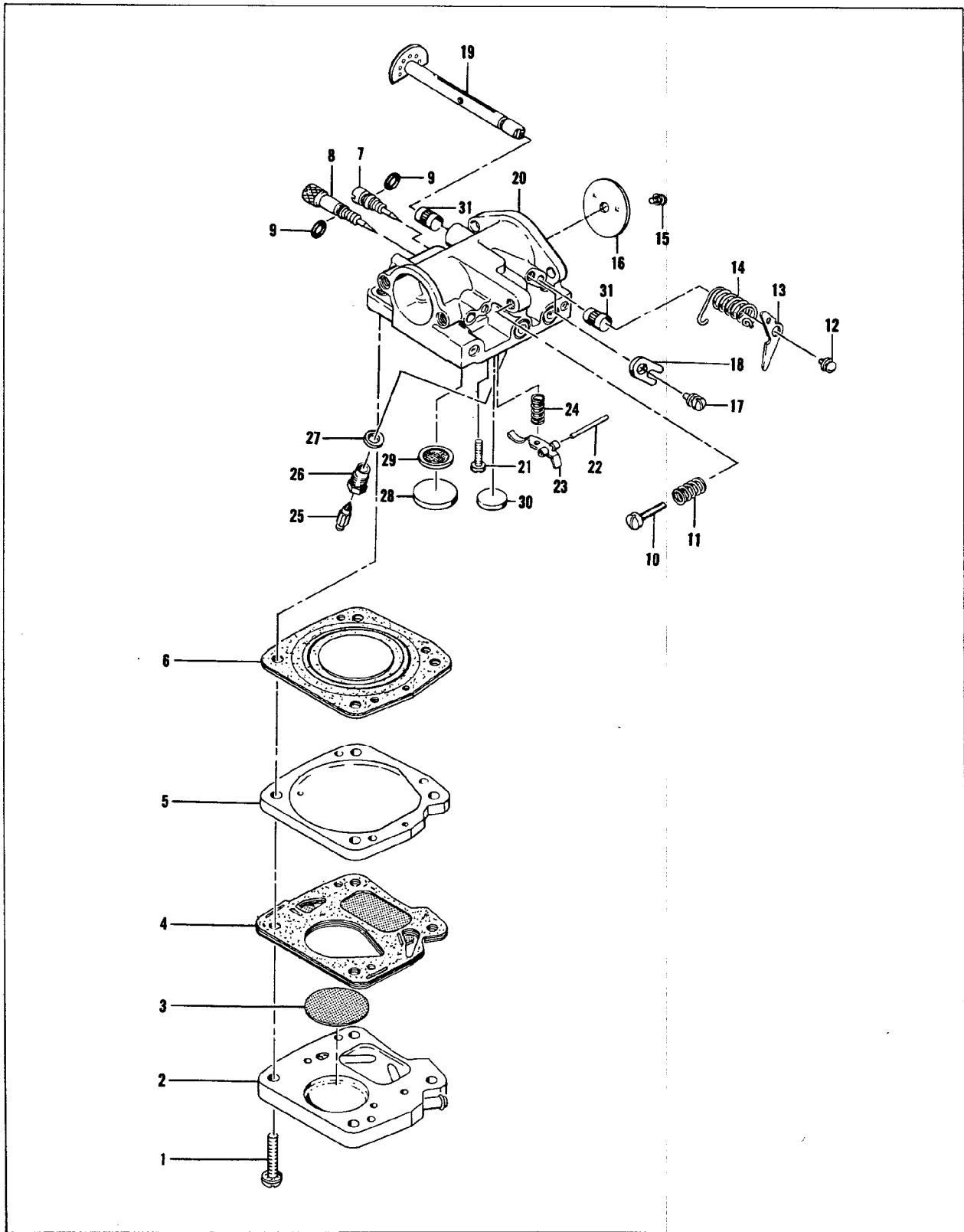


Figure 2. McCulloch Carburetor Assembly

FIGURE 2. McCULLOCH CARBURETOR ASSEMBLY

Index No.	Part Number	Nomenclature	Units Per Assy
	48890B	Carburetor Assy	1
1	104520	. Screw - Pan hd 10-24 x 7/8 in. lg (SEMS)	4
2	48897	. Body Assy - Fuel pump	1
3	48911	. Filter - Fuel pump	1
4	57274A	. Diaphragm - Fuel pump	1
5	48901	. Plate - Carburetor diaphragm	1
6	55067C	. Diaphragm	1
7	55090	. Needle - Idle adjusting	1
8	48810	. Needle - Main adjusting	1
9	104001	. "O" Ring	2
10	55397	. Screw - Idle	1
11	51705	. Spring - Idle screw	1
12	104814	. Screw - Pan hd 4-40 x 1/4 in. lg (SEMS)	1
13	50701A	. Arm - Throttle shaft	1
14	48820	. Spring - Throttle return	1
15	104814	. Screw - Pan hd 4-40 x 1/4 in. lg (SEMS)	1
16	55085	. Plate - Throttle	1
17	110055	. Screw - Fil hd 5-32 x 3/8 in. lg (SEMS)	1
18	55082	. Clip - Throttle shaft	1
19	48818A	. Shaft Assy - Throttle	1
20	48907B	. Carburetor Body Assy	1
21	104164	. Screw - Pan hd 4-40 x 1/4 in. lg	1
22	104305	. Pin - Inlet lever	1
23	55688	. Lever - Inlet control	1
24	57172	. Spring - Inlet lever	1
25	59710	. Valve - Neele valve	1
26	58969	. Body - Neele valve	1
27	55689	. Washer - Valve	1
28	104407	. Plug - Expansion 1 inch	1
29	55690B	. Seal - Capillary	1
30	102758	. Plug - Expansion 1/2 inch	1
31	55062A	. Bushing - Carburetor body	2

FIGURE 3. POWERHEAD ASSEMBLY

Index No.	Part Number	Nomenclature	Units Per Assy
1	101179	Nut - Hex 7/16-20	1
2	101270	Washer - Special	1
3	47880	Flywheel Assy	1
4	103879	Key - Woodruff	1
5	102289	Screw - Hex hd 10-24 x 3/4 in. lg	4
6	102189	Washer - Plain #10	3
7	55494	Screw - Sealing Hex hd #10	2
8	50671	Retainer - Breaker box cover	1
9	50588	Cover - Breaker box	1
10	50589	Gasket - Breaker box	1
11	100251	Nut - Hex 8-32	1
12	100057	Lockwasher - Internal #8	1
13	57225	Wire Assy - Primary	1
14	50381A	Insulator - Breaker terminal	1
15	103672	Screw - Fil hd 8-32 x 1/2 in. lg (SEMS)	1
16	50076A	Breaker Assy	1
17	103672	Screw - Fil hd 8-32 x 1/2 in. lg (SEMS)	1
18	50074	Condenser	1
	57126A	Cover - Crankcase Assy	1
19	101326	. Nut - Hex 10-24	2
20	54184	. Wiper - Crankcase cover felt	1
21	50663	. Oil Seal - Crankcase	1
22		. Cover - Crankcase (Order Crankcase Cover Assy #57126A)	1
23	104523	"O" Ring	1
24	100824	Bearing - Ball	1
25	103746	Locknut - Hex 3/8-24	1
26	103879	Key - Woodruff	1
27	47881	Nameplate	1
28	101965	Screw - Hex hd 10-24 x 7/8 in. lg (SEMS)	2
29	100003	Washer - Plain #10	2
30	51251	Lamination Assy	1
31	51253	Retainer - Coil	2
	55949A	Coil and Terminal Assy	1
32	55617	. Nipple	1
33	52547	. Wire Assy - Spark plug	1
34	55060	. Boot - Spark plug	1
35	55061	. Connector	1
36	101883	. Wire Assy - Ground	1
37		. Coil Assy (Order Coil and Terminal Assy #55949A)	1
38		Spark plug - 14 mm	1
39	104534	Screw - Socket hd 10-24 x 1-13/32 in. lg	6
40	24236	Washer - Plain #10	6
41	48587	Head - Cylinder	1
42	48742A	Gasket - Cylinder	1
	53726	Piston Assy - Standard	1
43	48978	. Ring Set - Piston standard	1
44	104378	. Bearing - Needle (closed end)	1
45	101206	. Bearing - Needle	1
46		. Piston (Order Piston Assy #53726)	1
47	47903	Connecting Rod Assy	1
48	60210	. Screw - Socket No. 10-32 x 5/8 in. lg	2
49	102742	. Roller - Needle	24
50	58132	Pin - Piston	1
51	48586C	Crankshaft	1
	48993B	Crankcase Assy	1
52	104128	. Oil Seal	1
53	104858	. Bearing - Needle	1
54	18556A	. Retainer - Nut	4
55	101143	. Nut - Hex 1/4-20	4

FIGURE 3. POWERHEAD ASSEMBLY (CONT)

Index No.	Part Number	Nomenclature	Units Per Assy
56	28053	. Retainer - Nut	2
57	57063	. Retainer - Nut	4
58	104255	. Retainer - Nut	2
59	101326	. Nut - Hex 10-24	8
60		. Crankcase (Order Crankcase Assy #48993B)	1

OVERSIZE PISTON ASSEMBLY AND ACCESSORIES

Part Number	Nomenclature
53727	Piston Assy - 0.010-inch oversize
48934	. Ring Set - Piston 0.010-inch oversize
13639A	Clutch, Drum, Bearing and Sprocket Assy - 10 tooth
13638A	Clutch, Drum, Bearing and Sprocket Assy - 11 tooth
13637A	Clutch, Drum, Bearing and Sprocket Assy - 12 tooth
48736A	Drum, Bearing and Sprocket Assy - 10 tooth
104460	. Bearing - Clutch drum
48737	. Spacer - Sprocket
48734A	Drum, Bearing and Sprocket Assy - 11 tooth
48714A	Drum, Bearing and Sprocket Assy - 12 tooth
48712A	Clutch Assy
48637	Sprocket - 10 tooth
48638	Sprocket - 11 tooth
48639	Sprocket - 12 tooth
13553	Header - Exhaust
13598	Stack - Intake
48711D	Kit - Starter
48663	Kit - Starter pawl
14317	Kit - Muffler
13178A	Kit - Engine mounting
48643A	Kit - Air cleaner