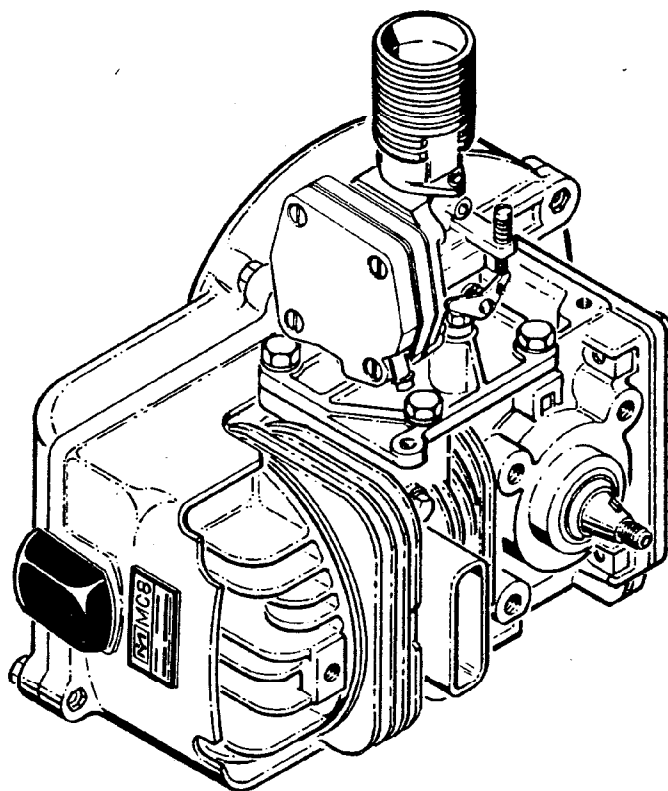


ILLUSTRATED PARTS LIST

FEBRUARY 1963



The following pages contain an illustrated parts list for the MC-8 Kart Engine. Due to small differences between engines, it is important that the Serial Number of your Kart Engine be included whenever spare parts are ordered. This will assure receiving the proper parts from your dealer.

	Page
Figure 1. Engine Assembly, Model MC-8 Engine	2
Figure 2. McCulloch Carburetor Assembly	4
Figure 3. Powerhead Assembly	6



MCCULLOCH CORPORATION
6101 West Century Boulevard,
Los Angeles 45, California

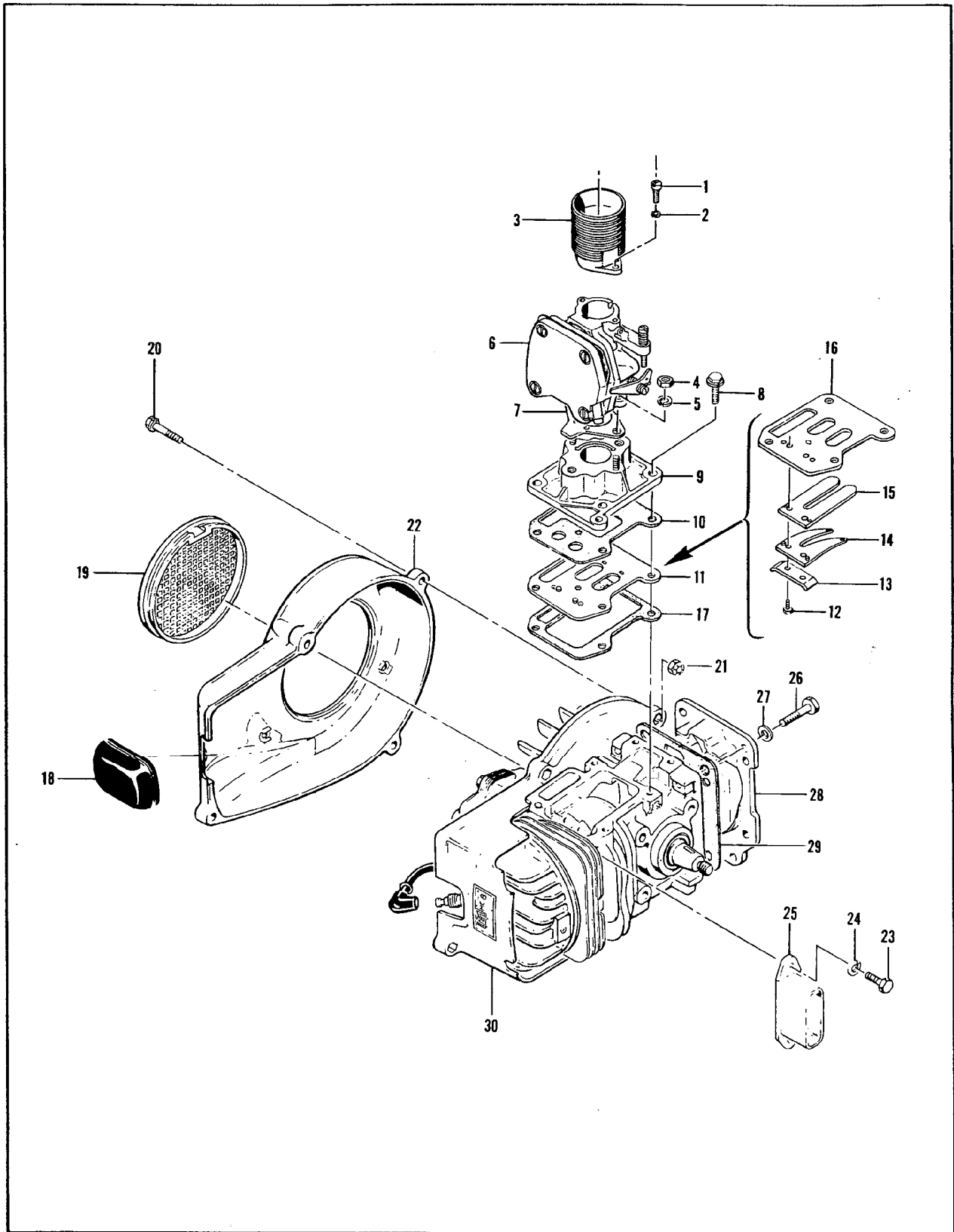


Figure 1. Engine Assembly, Model MC-8 Engine

FIGURE 1. ENGINE ASSEMBLY, MODEL MC-8 ENGINE

MC-8

Index No.	Part Number	Nomenclature	Units Per Assy
	13598	Stack Assy	1
1	100050	. Screw - Fil hd 10-32 x 3/8 in. lg	2
2	100240	. Lockwasher	2
3		. Stack	1
4	100249	Nut - Hex 1/4-28	2
5	100153	Washer - Lock 1/4-inch	2
6	48890A	McCulloch Carburetor Assy (See figure 2)	1
7	51161D	Gasket - Carburetor	1
8	103947	Screw - Hex hd 10-24 x 1 in. lg (SEMS)	4
9	48608A	Manifold Assy - Intake	1
	48604A	Gasket - Intake Manifold	1
11		Reed Valve Plate Assy	1
12	104476	. Screw - Hex hd 8-32 x 1/32 in. lg	2
13	51480	. Lockplate	1
14	48591	. Guard - Reed	1
15	48593	. Valve - Reed	1
16	48592	. Plate - Reed	1
17	48605	Gasket - Reed valve plate	1
18	57565	Cover Assy - Spark plug	1
19	55615	Guard - Dirt	1
20	104815	Screw - Hex hd 10-24 x 7/8 in. lg (SEMS)	4
21	101191	Locknut - Hex 10-24	2
22	48796B	Fan Housing Assy	1
23	102388	Screw - Hex hd 10-24 x 5/8 in. lg	2
24	103100	Lockwasher - No. 10	2
25	48609	Header - Exhaust	1
26	101982	Screw - Hex hd 1/4-20 x 1 in. lg	4
27	100311	Washer - Plain 1/4-in.	4
28	58139A	Bottom - Crankcase	1
29	48909A	Gasket - Crankcase bottom	1
30		Powerhead Assy (See figure 3)	1

Handwritten calculation:
 140
 25
 30

 195

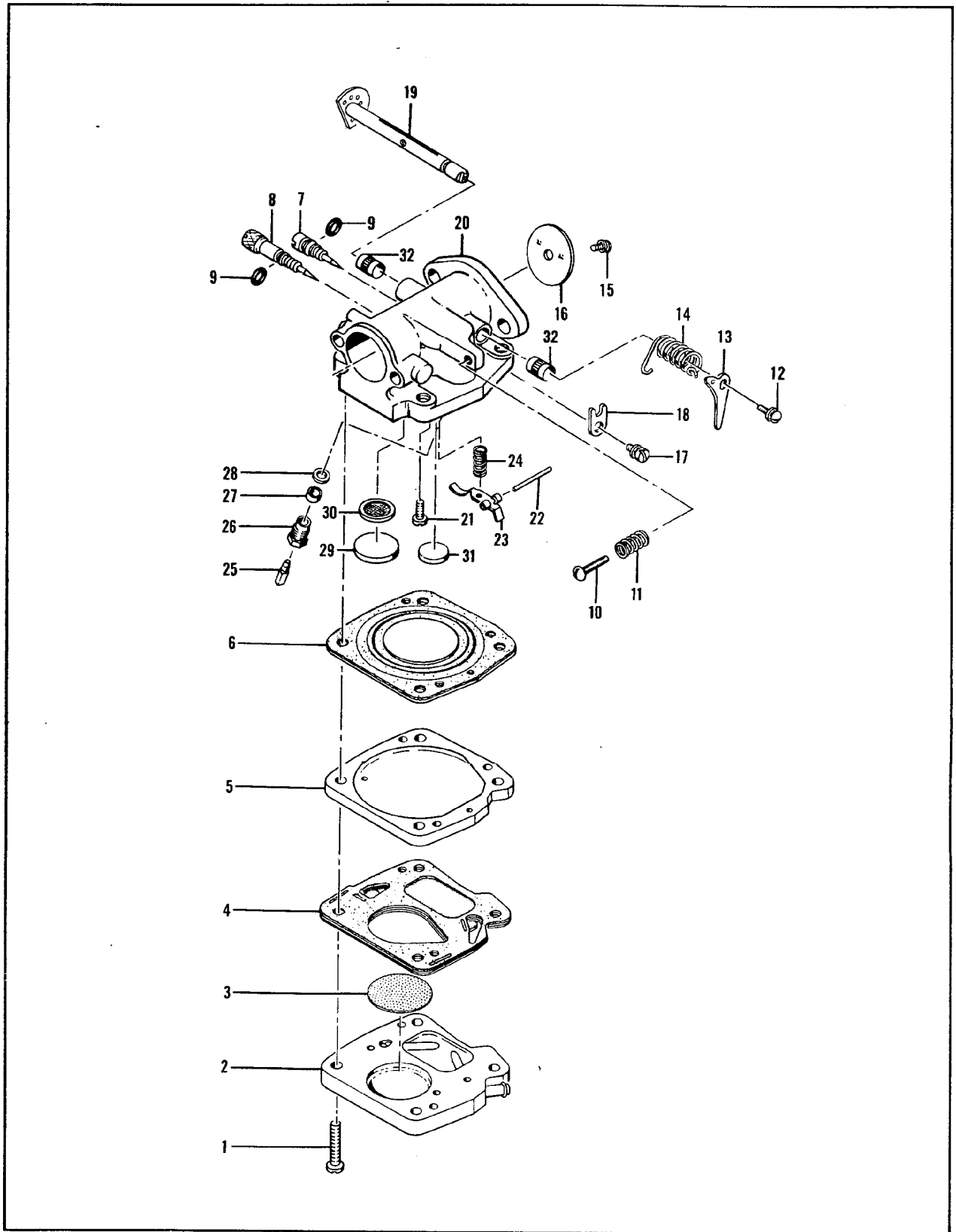


Figure 2. McCulloch Carburetor Assembly

FIGURE 2. McCULLOCH CARBURETOR ASSEMBLY

Index No.	Part Number	Nomenclature	Units Per Assy
	48890A	McCulloch Carburetor Assy	1
1	104520	Screw - Pan hd 10-24 x 7/8 in. lg (SEMS)	4
2	48897	Body Assy - Fuel pump	1
3	48911	Filter - Fuel pump	1
4	57274A	Diaphragm - Fuel pump	1
5	48901	Plate - Carburetor diaphragm	1
6	55067C	Diaphragm	1
7	55090	Needle - Metering	1
8	48810	Needle - Metering main	1
9	104001	"O" Ring	2
10	55397	Screw - Idle	1
11	51705	Spring - Idle screw	1
12	104814	Screw - Pan hd 4-40 x 1/4 in. lg (SEMS)	1
13	50701A	Arm - Throttle shaft	1
14	48820	Spring - Throttle return	1
15	104814	Screw - Pan hd 4-40 x 1/4 in. lg (SEMS)	1
16	55085	Plate - Throttle	1
17	110055	Screw - Fil hd 8-32 x 3/8 in. lg (SEMS)	1
18	55082	Clip - Throttle shaft	1
19	48818A	Shaft - Throttle assy	1
20	48907A	Carburetor Body Assy	1
21	104164	Screw - Pan hd 4-40 x 1/4 in. lg	1
22	104305	Pin - Inlet lever	1
23	55688	Lever - Inlet control	1
24	57172	Spring - Inlet lever	1
25	55476A	Valve - Needle	1
26	55475	Body - Needle	1
27	59480	Seat - Needle	1
28	55689	Washer - Valve	1
29	104407	Plug - Expansion	1
30	55690B	Seal - Capillary	1
31	102758	Plug - Expansion	1
32	55062A	Bushing - Carburetor body	2

FIGURE 3. POWERHEAD ASSEMBLY

Index No.	Part Number	Nomenclature	Units Per Assy
1	101179	Nut - Hex 7/16-20	1
2	101270	Washer - Special	1
3	48785A	Flywheel Assy	1
4	100199	Key - Woodruff No. 3	1
5	102289	Screw - Hex hd 10-24 x 3/4 in. lg	4
6	102189	Washer - Plain #10	3
7	55494	Sealing Screw - Hex hd	2
8	50671	Retainer - Breaker box cover	1
9	50588	Cover - Breaker box	1
10	50589	Gasket - Breaker box	1
11	100251	Nut - Hex 8-32	1
12	100057	Lockwasher - Internal No. 8	1
13	57225	Wire Assy - Primary	1
14	50381A	Insulator - Breaker terminal	1
15	103672	Screw - Fil hd 8-32 x 1/2 in. lg (SEMS)	1
16	50076A	Breaker Assy	1
17	103672	Screw - Fil hd 8-32 x 1/2 in. lg (SEMS)	1

This list is continued on page 7

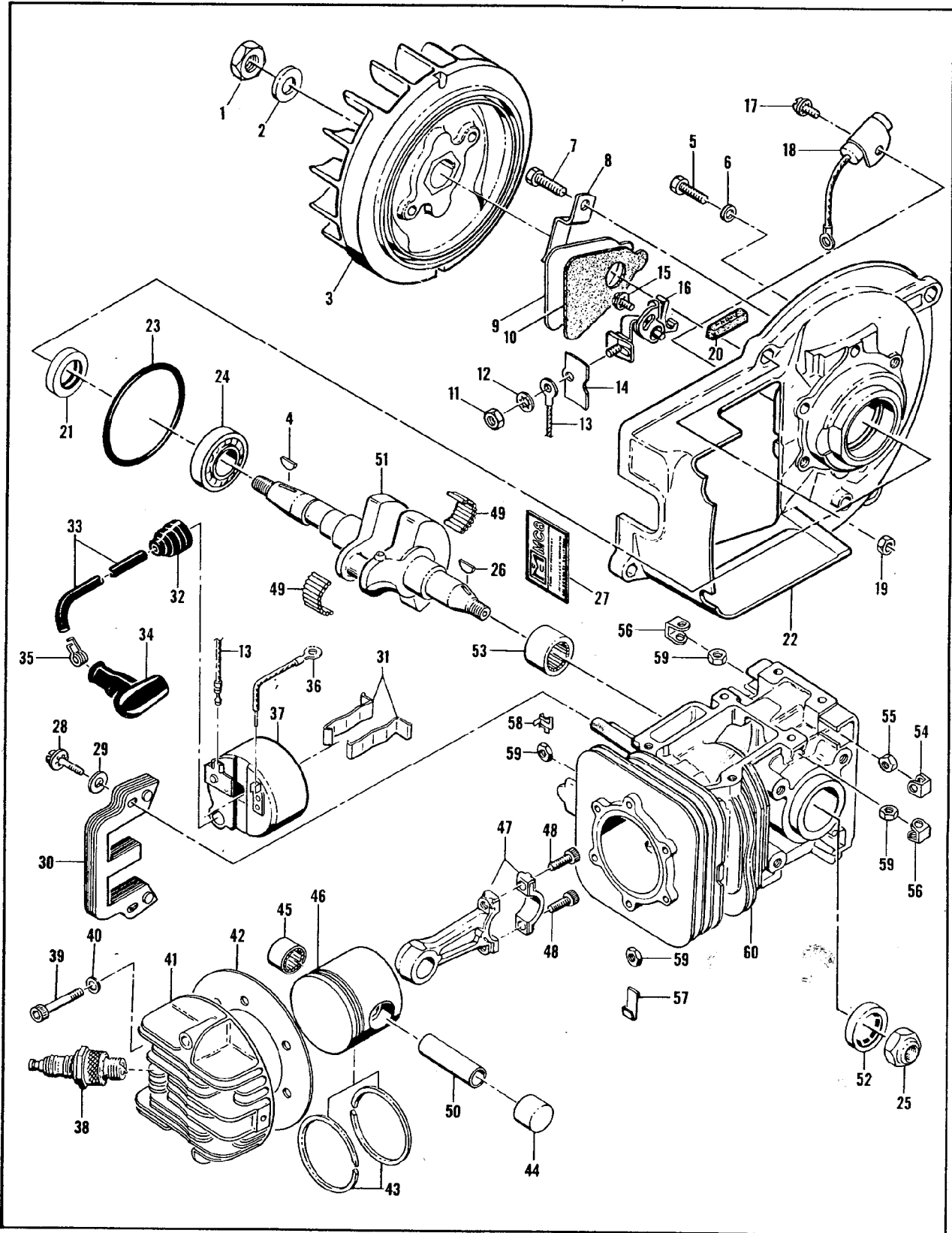


Figure 3. Powerhead Assembly

FIGURE 3. POWERHEAD ASSEMBLY (CONT)

MC-8

Index No.	Part Number	Nomenclature	Units Per Assy
18	50074	Condenser	1
	57126A	Crankcase Cover Assy	1
19	101326	. Nut - Hex 10-24	2
20	54184	. Wiper - Crankcase cover felt	1
21	50663	. Oil Seal - Crankcase	1
22		. Cover - Crankcase (Order Crankcase Cover Assy #57126A)	1
23	104523	"O" Ring	1
24	100824	Bearing - Ball	1
25	103746	Locknut - Hex 3/8-24	1
26	100199	Key - Woodruff No. 3	1
27	47779	Nameplate	1
28	101965	Screw - Hex hd 10-24 x 7/8 in. lg (SEMS)	2
29	100003	Washer - Plain No. 10	2
30	51251	Lamination Assy	1
31	51253	Retainer - Coil	2
	55949A	Coil and Terminal Assy	1
32	55617	. Nipple	1
33	52547	. Wire Assy - Spark plug	1
34	55060	. . Boot - Spark plug	1
35	55061	. . Connector	1
36	101883	. Wire Assy - Ground	1
37		. Coil Assy (Order Coil and Terminal Assy #55949A)	1
38		Plug - Spark 14-mm	1
39	104534	Screw - Socket hd 10-24 x 1-13/32 in. lg	6
40	24236	Washer - Plain No. 10	6
41	48587	Head - Cylinder	1
42	48742A	Gasket - Cylinder head	1
	53726	Piston Assy - Standard	1
43	48978	. Ring Set - Piston standard (Two rings)	1
44	104378	. Bearing - Closed end	1
45	101206	. Bearing	1
46		. Piston (Order Piston Assy #53726)	1
47	47782	Connecting Rod Assy	1
48	101356	. Screw - Socket hd 10-32 x 5/8 in. lg	2
49	102742	. Roller - Needle	24
50	58132	Pin - Piston	1
51	48586B	Crankshaft	1
	48993A	Crankcase Assy	1
52	104128	. Oil Seal	1
53	104858	. Bearing - Needle	1
54	18556A	. Retainer - Nut	4
55	101143	. Locknut - Hex 1/4-20	4
56	28053	. Retainer - Nut	2
57	57063	. Retainer - Nut	4
58	104255	. Retainer - Nut	2
59	101326	. Nut - Hex 10-24	8
60		. Crankcase (Order Crankcase Assy #48993A)	1

OVERSIZE PISTON AND RING SET

Part Number	Nomenclature
53727	Piston Assy - Oversize 0.010 inch
48934	Ring Set - Piston oversize 0.010 inch (2 rings)

#47781
2-63 ①