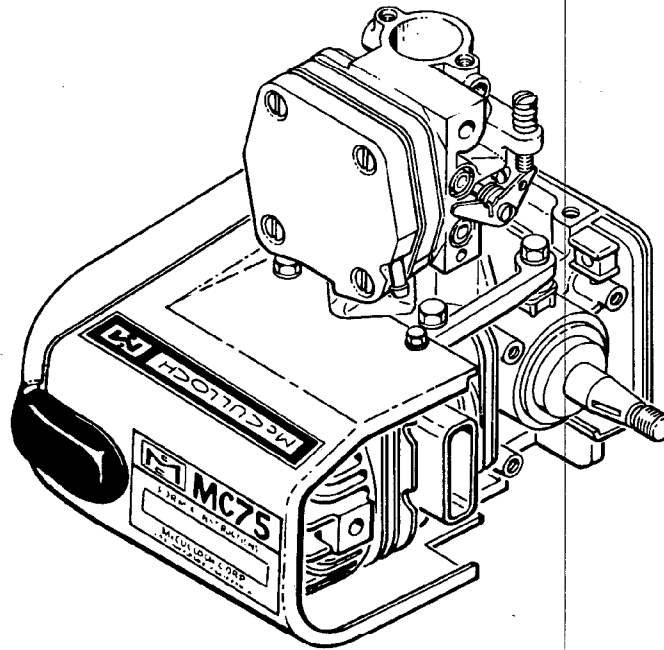


# Kart Engine

# MC75

# ILLUSTRATED PARTS LIST

JANUARY 1964



The following pages contain an illustrated parts list for the MC75 Kart Engine. Due to small differences between engines, it is important that the Serial Number of your Kart Engine be included whenever spare parts are ordered. This will assure receiving the proper parts from your dealer.

The McCulloch Corporation reserves the right to modify or change specifications without (1) prior notification or (2) obligation to back-fit or supply back-fit components for units previously shipped from the factory.

	Page
Figure 1. Engine Assembly, Model MC75 Engine .....	2
Figure 2. McCulloch Carburetor Assembly .....	4
Figure 3. Powerhead Assembly .....	6



**McCULLOCH CORPORATION**  
8101 West Century Boulevard,  
Los Angeles 45, California

COPYRIGHT - 1964  
McCULLOCH CORPORATION

No. 47898  
MANUFACTURER'S SUGGESTED LIST PRICE - 50 CENTS

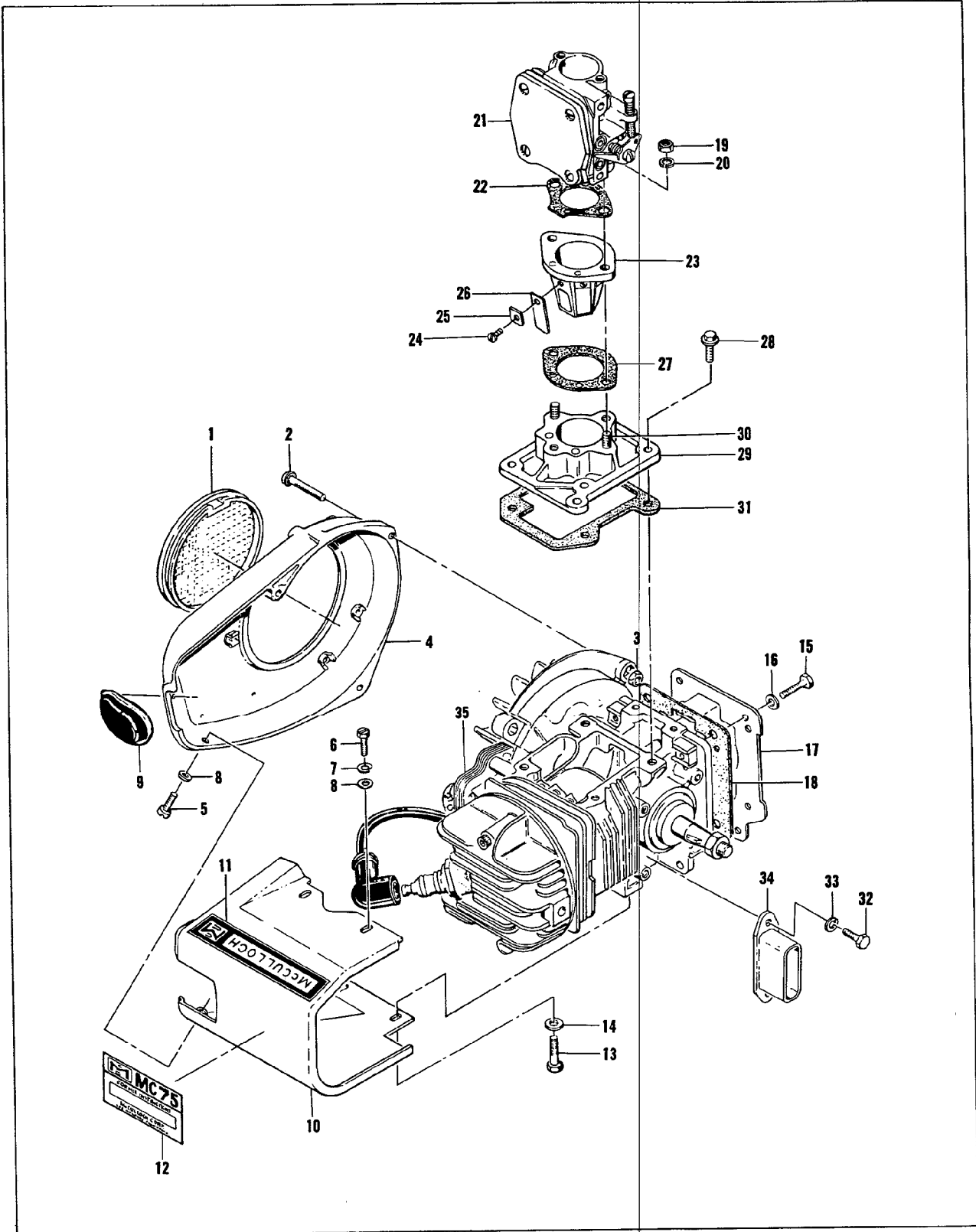


Figure 1. Engine Assembly, Model MC75 Engine

FIGURE 1. ENGINE ASSEMBLY, MODEL MC75 ENGINE

Index No.	Part Number	Nomenclature	Units Per Assy
1	55615	Guard . . . . .	1
2	104816	Screw - 10-24 x 1-1/4 in. lg (SEMS) . . . . .	3
3	101191	Nut - Hex 10-24 . . . . .	2
4	47820	Housing - Fan . . . . .	1
5	102500	Screw - Pan hd 10-24 x 1/2 in. lg . . . . .	1
6	102762	Screw - Hex hd 10-24 x 1/2 in. lg . . . . .	1
7	101194	Washer - Lock . . . . .	3
8	100002	Washer - Plain #10 . . . . .	2
9	48936	Cover Assy - Spark plug . . . . .	1
10	47904	Shroud - Cylinder . . . . .	1
11	48588	. Nameplate - McCulloch . . . . .	1
12	47884	Nameplate - Mc 75 . . . . .	1
13	100732	Screw - Hex hd 1/4-20 x 5/8 in. lg . . . . .	2
14	100005	Washer - Plain 1/4 in. . . . .	2
15	101982	Screw - Hex hd 1/4-20 x 1 in. lg . . . . .	4
16	100311	Washer - Plain 1/4 in. . . . .	4
17	47803	Cover - Crankcase bottom . . . . .	1
18	48909A	Gasket - Crankcase bottom cover . . . . .	1
19	100249	Nut - Hex 1/4-28 . . . . .	2
20	100153	Washer - Lock 1/4 in. . . . .	2
21		Carburetor Assy (See figure 2) . . . . .	1
22	51161D	Gasket - Carburetor . . . . .	1
23	47843	Valve Assy - Pyramid reed . . . . .	1
24	47907	. Screw - Bind hd 4-40 x 1/8 in. lg . . . . .	6
25	47846	. Plate - Clamp . . . . .	6
26	47845	. Valve - Reed . . . . .	6
27	47869	Gasket - Reed valve . . . . .	1
28	104815	Screw - Hex hd 10-24 x 7/8 in. lg (SEMS) . . . . .	4
29	47866	Adapter Assy - Carburetor . . . . .	1
30	47868	. Stud - Adapter . . . . .	2
31	47870	Gasket - Carburetor adapter . . . . .	1
32	102388	Screw - Hex hd 10-24 x 5/8 in. lg . . . . .	2
33	103100	Washer - Lock . . . . .	2
34	48609	Header - Exhaust . . . . .	1
35		Powerhead Assy (See figure 3) . . . . .	1

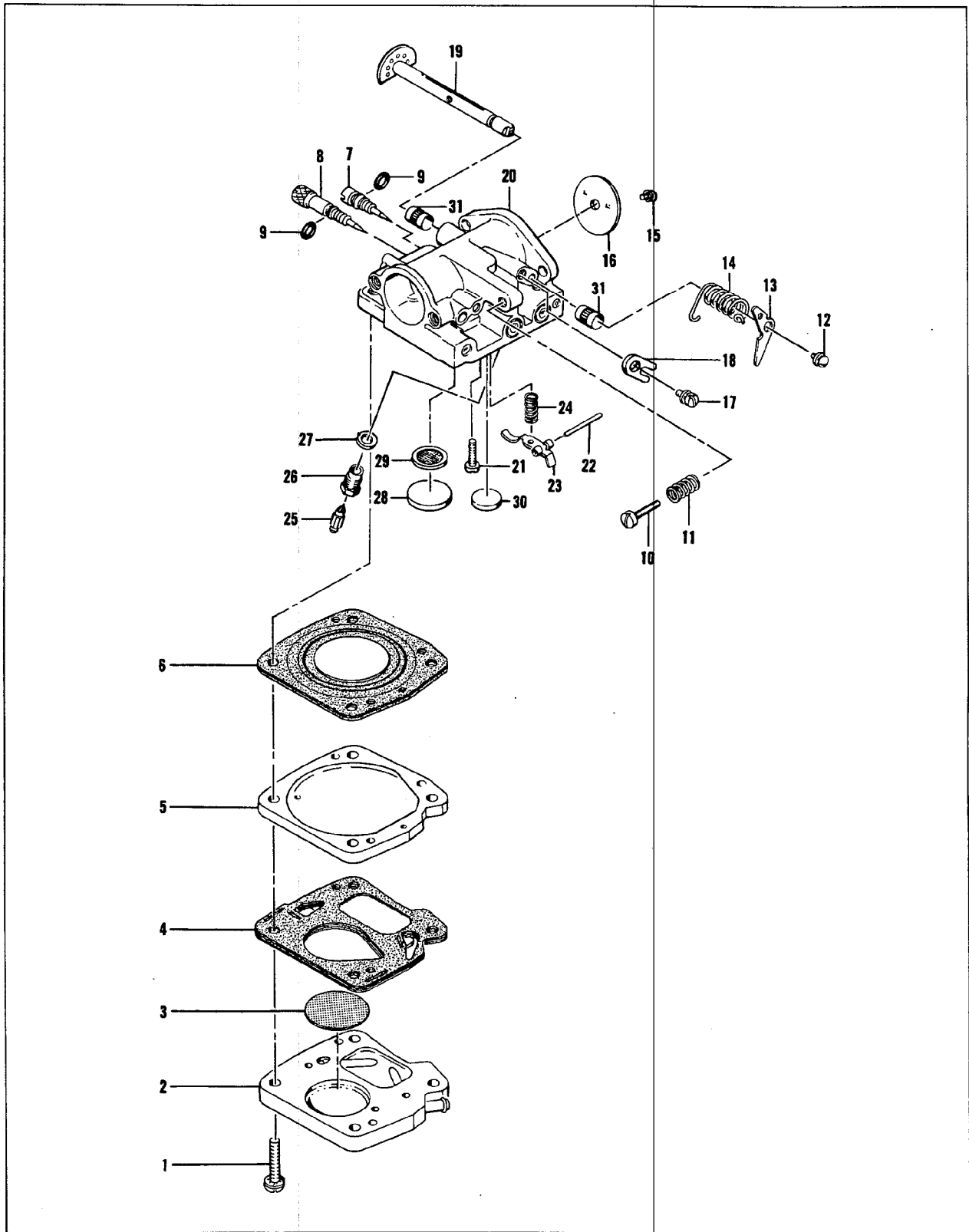


Figure 2. McCulloch Carburetor Assembly

FIGURE 2. McCULLOCH CARBURETOR ASSEMBLY

Index No.	Part Number	Nomenclature	Units Per Assy
	48890B	Carburetor Assy . . . . .	1
1	104520	. Screw - Pan hd 10-24 x 7/8 in. lg (SEMS) . . . . .	4
2	48897	. Body Assy - Fuel pump . . . . .	1
3	48911	. Filter - Fuel pump . . . . .	1
4	57274A	. Diaphragm - Fuel pump . . . . .	1
5	48901	. Plate - Diaphragm . . . . .	1
6	55067C	. Diaphragm - Carburetor . . . . .	1
7	55090	. Needle - Idle adjusting . . . . .	1
8	48810	. Needle - Main adjusting . . . . .	1
9	104001	. "O" Ring . . . . .	2
10	55397	. Screw - Idle speed . . . . .	1
11	51705	. Spring - Idle speed screw . . . . .	1
12	104814	. Screw - Pan hd 4-40 x 1/4 in. lg (SEMS) . . . . .	1
13	50701A	. Arm - Throttle shaft . . . . .	1
14	48820	. Spring - Throttle return . . . . .	1
15	104814	. Screw - Pan hd 4-40 x 1/4 in. lg (SEMS) . . . . .	1
16	55085	. Plate - Throttle . . . . .	1
17	110055	. Screw - Fil hd 8-32 x 3/8 in. lg (SEMS) . . . . .	1
18	55082	. Clip - Shaft . . . . .	1
19	48818A	. Shaft Assy - Throttle . . . . .	1
20	48907B	. Body Assy - Carburetor . . . . .	1
21	104164	. Screw - Pan hd 4-40 x 1/4 in. lg . . . . .	1
22	104305	. Pin - Inlet lever . . . . .	1
23	55688	. Lever - Inlet control . . . . .	1
24	57172	. Spring - Inlet control . . . . .	1
25	59710	. Valve - Needle . . . . .	1
26	58969	. Body - Needle valve . . . . .	1
27	55689	. Washer - Valve . . . . .	1
28	104407	. Plug - Expansion 1 in. . . . .	1
29	55690B	. Seal - Capillary . . . . .	1
30	102758	. Plug - Expansion 1/2 in. . . . .	1
31	55062A	. Bushing - Body . . . . .	2

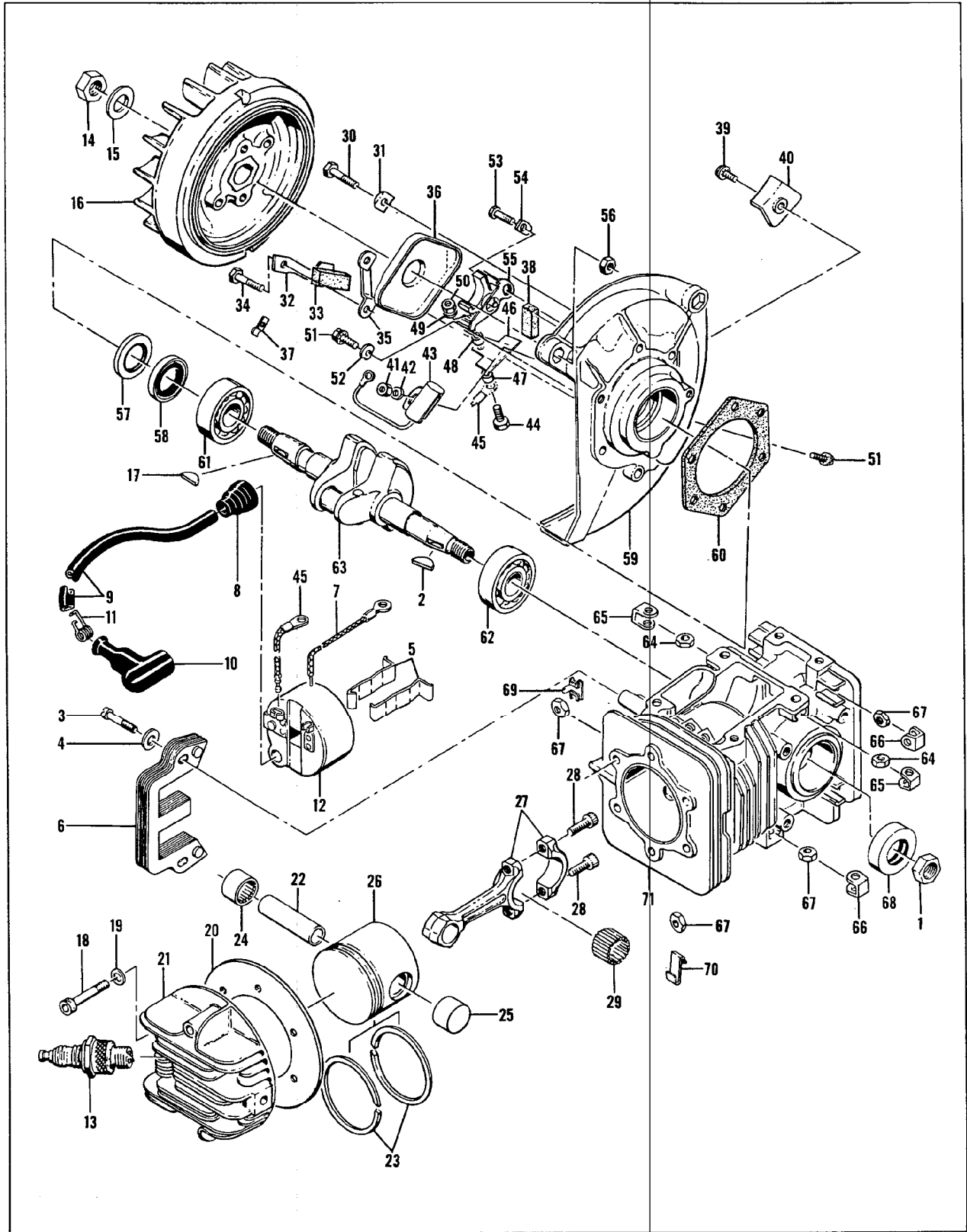


Figure 3. Powerhead Assembly

FIGURE 3. POWERHEAD ASSEMBLY

Index No.	Part Number	Nomenclature	Units Per Assy
1	103746	Nut - Hex 3/8-24	1
2	103879	Key - Woodruff	1
3	101965	Screw - Fil hd 10-24 x 7/8 in. lg (SEMS)	2
4	100003	Washer - Plain #10	2
5	51253	Retainer - Coil	2
6	51251	Lamination Assy - Coil	1
	55949A	Coil and Terminal Assy	1
7	101883	. Wire Assy - Ground	1
8	55617	. Nipple - Spark plug wire	1
9	52547	. Wire Assy - Spark plug	1
10	55060	. Boot - Spark plug	1
11	55061	. Connector - Spark plug wire	1
12		. Coil Assy (Order Coil and Terminal Assy #55949A)	1
13		Spark Plug - 14 mm	1
14	101179	Nut - Hex 7/16-20	1
15	101270	Washer - Plain 7/16 in.	1
16	47880	Flywheel Assy	1
17	103879	Key - Woodruff	1
18	47905	Screw - Skt hd 10-24 x 1-15/32 in. lg	6
19	24236	Washer - Special	6
20	47901	Gasket - Cylinder head	1
21	48903A	Head - Cylinder	1
22	47810	Pin - Piston	1
	47902	Piston Assy - Standard size	1
23	47826	. Ring Set - Piston standard size	1
24	110107	. Bearing - Needle	1
25	110108	. Bearing - Needle (closed end)	1
26		. Piston (Order Piston Assy #47902)	1
27	47832A	Connecting Rod Assy	1
28	47819	. Screw - Skt hd 10-32 x 5/8 in. lg	2
29	102742	. Roller - Needle	24
30	102763	Screw - Hex hd 10-24 x 3/4 in. lg	2
31	36388	Plate - Lock	1
32	57815	Strap - Seal	1
33	50664	Seal - Breaker box drain	1
34	102763	Screw - Hex hd 10-24 x 3/4 in. lg	4
35	55977	Clip - Breaker box cover	2
36	55766B	Cover and Gasket Assy - Breaker box	1
37	104230	Speednut	1
38	54184	Wiper - Felt	1
39	110055	Screw - Fil hd 8-32 x 3/8 in. lg (SEMS)	1
40	57829	Clamp - Ignition wire	1
41	100955	Nut - Hex 8-32	1
42	100080	Washer - Plain #8	1
43	50074	Condenser	1
44	103748	Screw - Hex hd 8-32 x 1/2 in. lg	1
45	57766	Wire Assy - Primary	1
46	55782	Insulator	1
47	57769	Insulator - Ignition screw	1
48	57770A	Insulator - Breaker spring	1
49	104553	Washer - Lock #8	1
50	104551	Nut - Hex 8-32	1
51	104733	Screw - Fil hd 8-32 x 1/2 in. lg (SEMS)	2
52	55778C	Washer - Special	1
53	104733	Screw - Fil hd 8-32 x 1/2 in. lg (SEMS)	1
54	57767A	Lockplate	1
55	57765A	Breaker Assy	1
	47816	Cover Assy - Crankcase	1
56	101326	. Nut - Hex 10-24	1
57	57898	. Seal - Oil	1

**FIGURE 3. POWERHEAD ASSEMBLY (CONT)**

Index No.	Part Number	Nomenclature	Units Per Assy
58	57897	. Seal - Oil . . . . .	1
59		. Cover - Crankcase . . . . . (Order Crankcase Cover Assy #47816)	1
60	51240	Gasket . . . . .	1
61	100824	Bearing - Ball . . . . .	1
62	104490	Bearing - Ball . . . . .	1
63	47798A	Crankshaft . . . . .	1
	47873	Crankcase Assy - Cylinder . . . . .	1
64	101326	. Nut - Hex 10-24 . . . . .	8
65	28053	. Retainer - Nut . . . . .	2
66	18556A	. Retainer - Nut . . . . .	6
67	101143	. Nut - Hex 1/4-20 . . . . .	6
68	104486	. Seal - Oil . . . . .	1
69	104255	. Retainer - Nut . . . . .	2
70	57063	. Retainer - Nut . . . . .	4
71		. Crankcase - Cylinder . . . . . (Order Cylinder Crankcase Assy #47873)	1

**OVERSIZE PISTON ASSEMBLIES AND ACCESSORIES**

47856	Piston Assy - 0.010-inch oversize
47863	. Ring Set - 0.010-inch oversize
47857	Piston Assy - 0.020-inch oversize
47864	. Ring Set - 0.020-inch oversize
47858	Piston Assy - 0.030-inch oversize
47865	. Ring Set - 0.030-inch oversize
13639A	Clutch, Drum, Bearing and Sprocket Assy - 10 tooth
13638A	Clutch, Drum, Bearing and Sprocket Assy - 11 tooth
13637A	Clutch, Drum, Bearing and Sprocket Assy - 12 tooth
48736A	Drum, Bearing and Sprocket Assy - 10 tooth
48734A	Drum, Bearing and Sprocket Assy - 11 tooth
48714A	Drum, Bearing and Sprocket Assy - 12 tooth
104460	. Bearing - Clutch drum
48737	. Spacer - Sprocket
48637	Sprocket - 10 tooth
48638	Sprocket - 11 tooth
48639	Sprocket - 12 tooth
48712A	Clutch Assy
13553	Header - Exhaust (Tuned)
47908	Kit - Muffler
48711D	Kit - Starter
48663	Kit - Starter pawl
13178A	Kit - Engine mounting
48662	Kit - Mounting studs