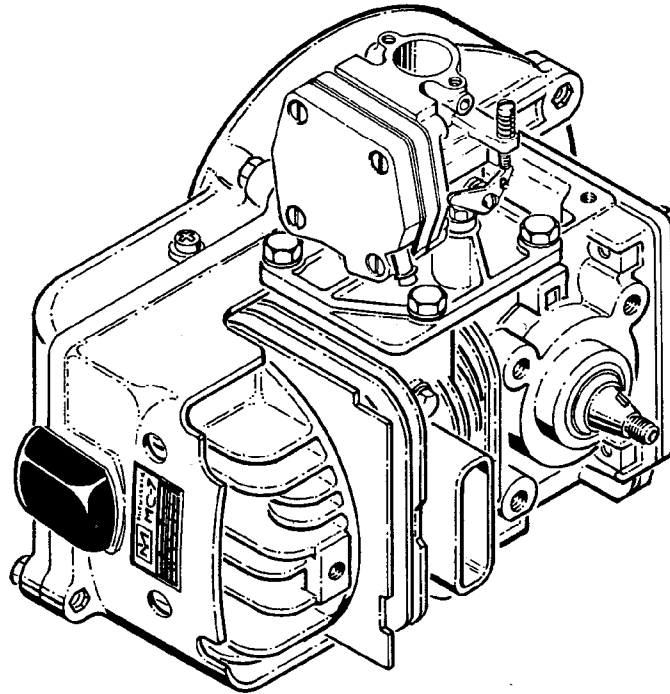


# ILLUSTRATED PARTS LIST

FEBRUARY 1962



The following pages contain an illustrated parts list for the MC-7 Kart Engine. Due to small differences between engines, it is important that the Serial Number of your Kart Engine be included whenever spare parts are ordered. This will assure receiving the proper parts from your dealer.

	Page
Figure 1. Engine Assembly, Model MC-7 Engine .....	2
Figure 2. McCulloch Carburetor Assembly .....	4
Figure 3. Powerhead Assembly .....	6



**McCULLOCH CORPORATION**  
6101 West Century Boulevard,  
Los Angeles 45, California

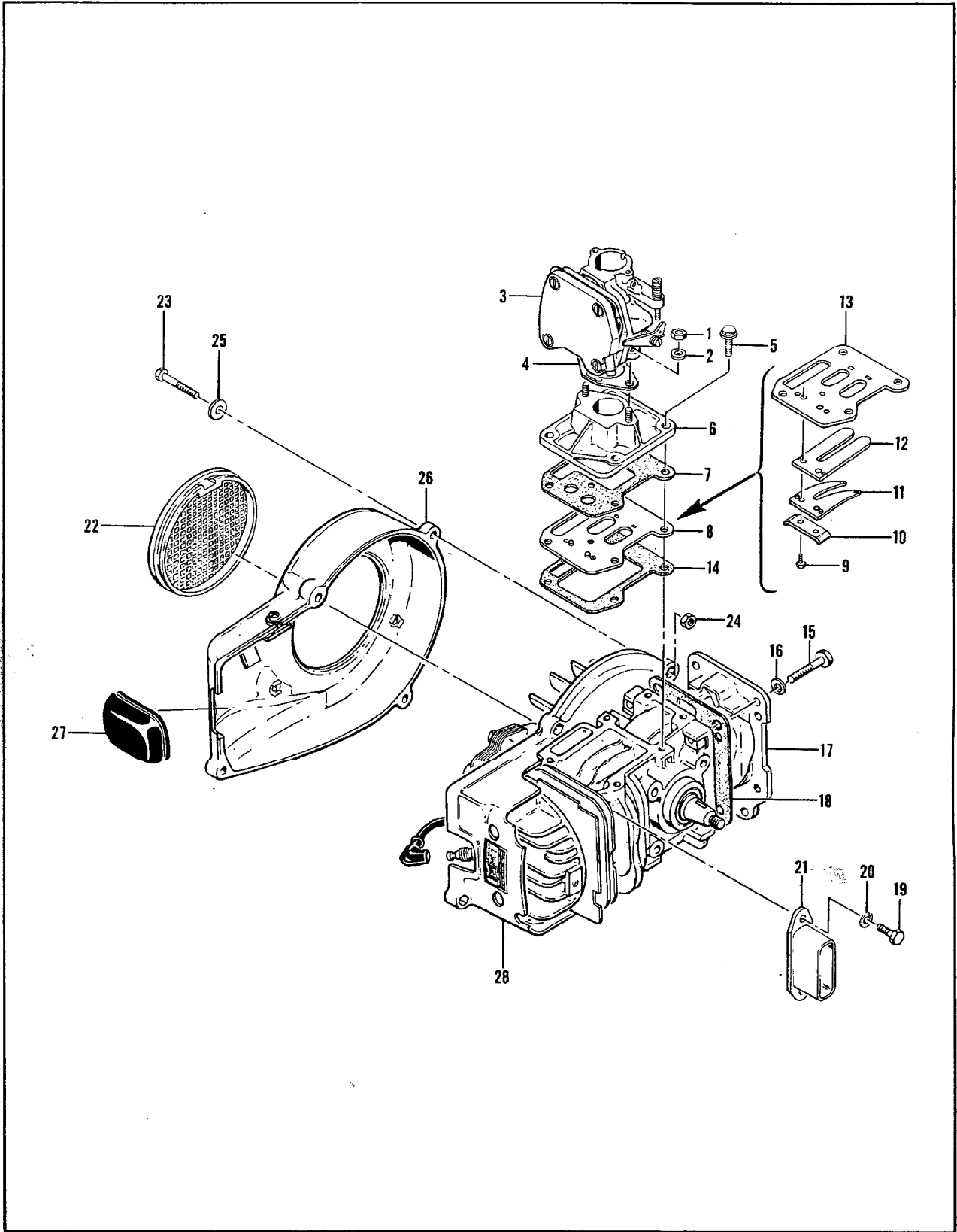


Figure 1. Engine Assembly, Model MC-7 Engine

FIGURE 1. ENGINE ASSEMBLY, MODEL MC-7 ENGINE

Index No.	Part Number	Nomenclature	Units Per Assy
1	100249	Nut - Hex 1/4-28 .....	2
2	100153	Washer - Lock 1/4-inch .....	2
3	48890	McCulloch Carburetor Assy (See Figure 2) .....	1
4	55252B	Gasket - Carburetor .....	1
5	103947	Screw - Hex hd 10-24 x 1 in. lg (SEMS) .....	4
6	48608A	Manifold Assy - Intake .....	1
7	48604A	Gasket - Intake Manifold .....	1
8		Reed Valve Plate Assy .....	1
9	104476	. Screw - Hex hd 8-32 x 0.31-in. lg .....	2
10	51480	. Lockplate .....	1
11	48591	. Guard - Reed .....	1
12	48593	. Valve - Reed .....	1
13	48592	. Plate - Reed .....	1
14	48605	Gasket - Reed valve plate .....	1
15	102128	Screw - Hex hd 1/4-20 x 1-1/4 in. lg .....	4
16	100311	Washer - Plain 1/4-in. .....	4
17	58139A ✓	Bottom - Crankcase .....	1
18	48909	Gasket - Crankcase bottom .....	1
19	102388	Screw - Hex hd 10-24 x 5/8 in. lg .....	2
20	103100	Lockwasher - No. 10 .....	2
21	48609	Header - Exhaust .....	1
22	55615	Guard - Dirt .....	1
23	102761 -	Screw - Hex hd 10-24 x 7/8 in. lg .....	4
24	101191	Locknut - Hex 10-24 .....	2
25	102189	Washer - Plain No. 10 .....	4
26	48796B	Fan Housing Assy .....	1
27	57565	Cover Assy - Spark plug .....	1
28		Powerhead Assy (See Figure 3) .....	1

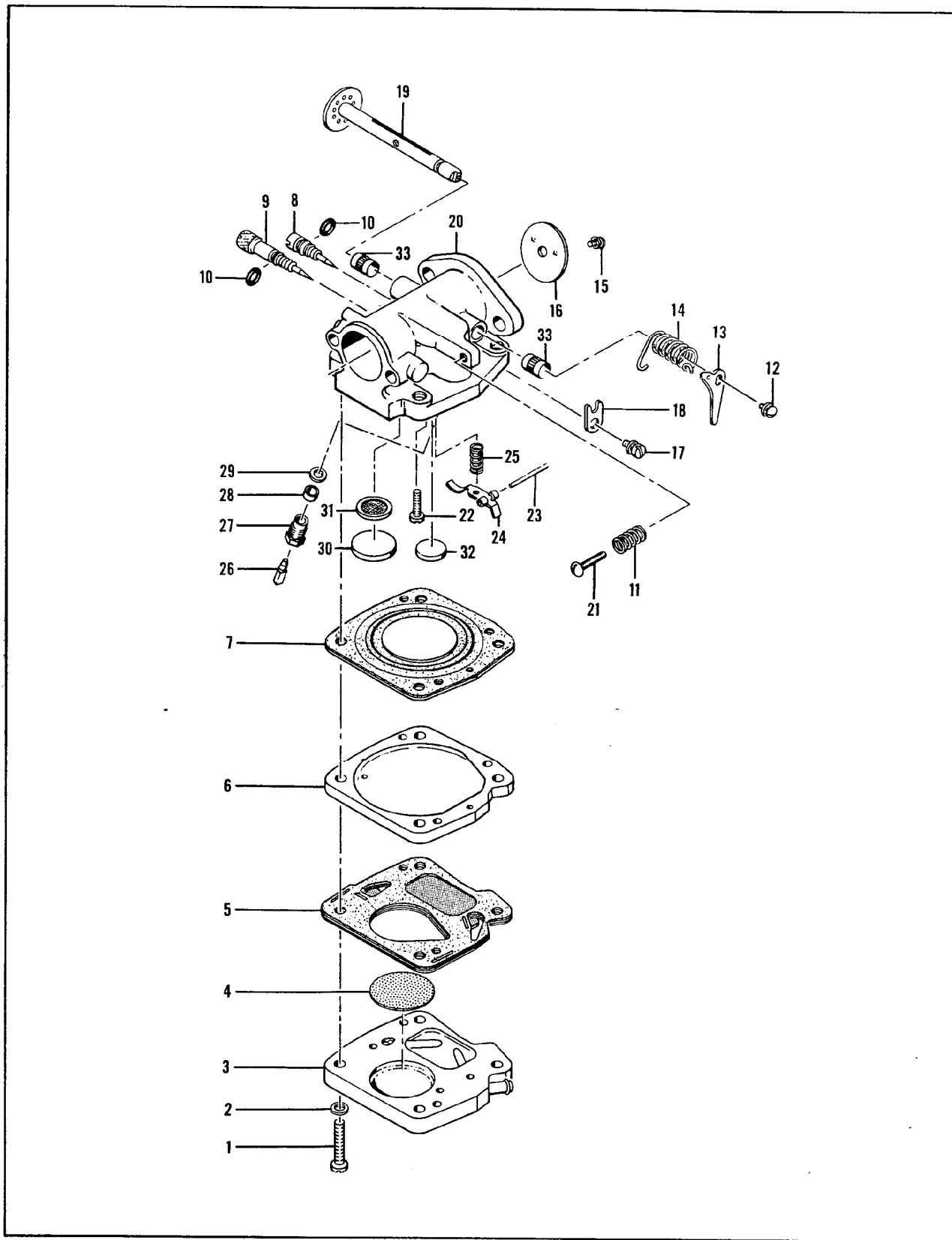


Figure 2. McCulloch Carburetor Assembly

FIGURE 2. McCULLOCH CARBURETOR ASSEMBLY

Index No.	Part Number	Nomenclature	Units Per Assy
	48890	McCulloch Carburetor Assy .....	1
1	104520	. Screw - Pan hd 10-24 x 7/8 in. lg .....	4
2	100002	. Washer - Plain #10 .....	4
3	48913	. Body Assy - Fuel pump .....	1
4	48911	. Filter - Fuel pump .....	1
5	57274A	. Diaphragm - Fuel pump .....	1
6	57272A	. Plate - Carburetor diaphragm .....	1
7	55067B	. Diaphragm .....	1
8	55090	. Needle - Metering .....	1
9	48810	. Needle - Metering main .....	1
10	104001	. "O" Ring .....	2
11	51705	. Spring - Idle screw .....	1
12	104814	. Screw - Pan hd 4-40 x 1/4 in. lg (SEMS) .....	1
13	50701A	. Arm - Throttle shaft .....	1
14	48820	. Spring - Throttle return .....	1
15	104814	. Screw - Pan hd 4-40 x 1/4 in. lg (SEMS) .....	1
16	55085	. Plate - Throttle .....	1
17	104570	. Screw - Fil hd 8-32 x 1/4 in. lg (SEMS) .....	1
18	55082	. Clip - Throttle shaft .....	1
19	48818A	. Shaft - Throttle assy .....	1
20	48907	. Carburetor Body Assy .....	1
21	55397	. Screw - Idle .....	1
22	104164	. Screw - Pan hd 4-40 x 1/4 in. lg .....	1
23	104305	. Pin - Inlet lever .....	1
24	55688	. Lever - Inlet control .....	1
25	57172	. Spring - Inlet lever .....	1
26	55476	. Valve - Needle .....	1
27	55475	. Body - Needle .....	1
28	55474	. Seat - Needle .....	1
29	55689	. Washer - Valve .....	1
30	104407	. Plug - Expansion .....	1
31	55690B	. Seal - Capillary .....	1
32	102758	. Plug - Expansion .....	1
33	55062A	. Bushing - Carburetor body .....	2

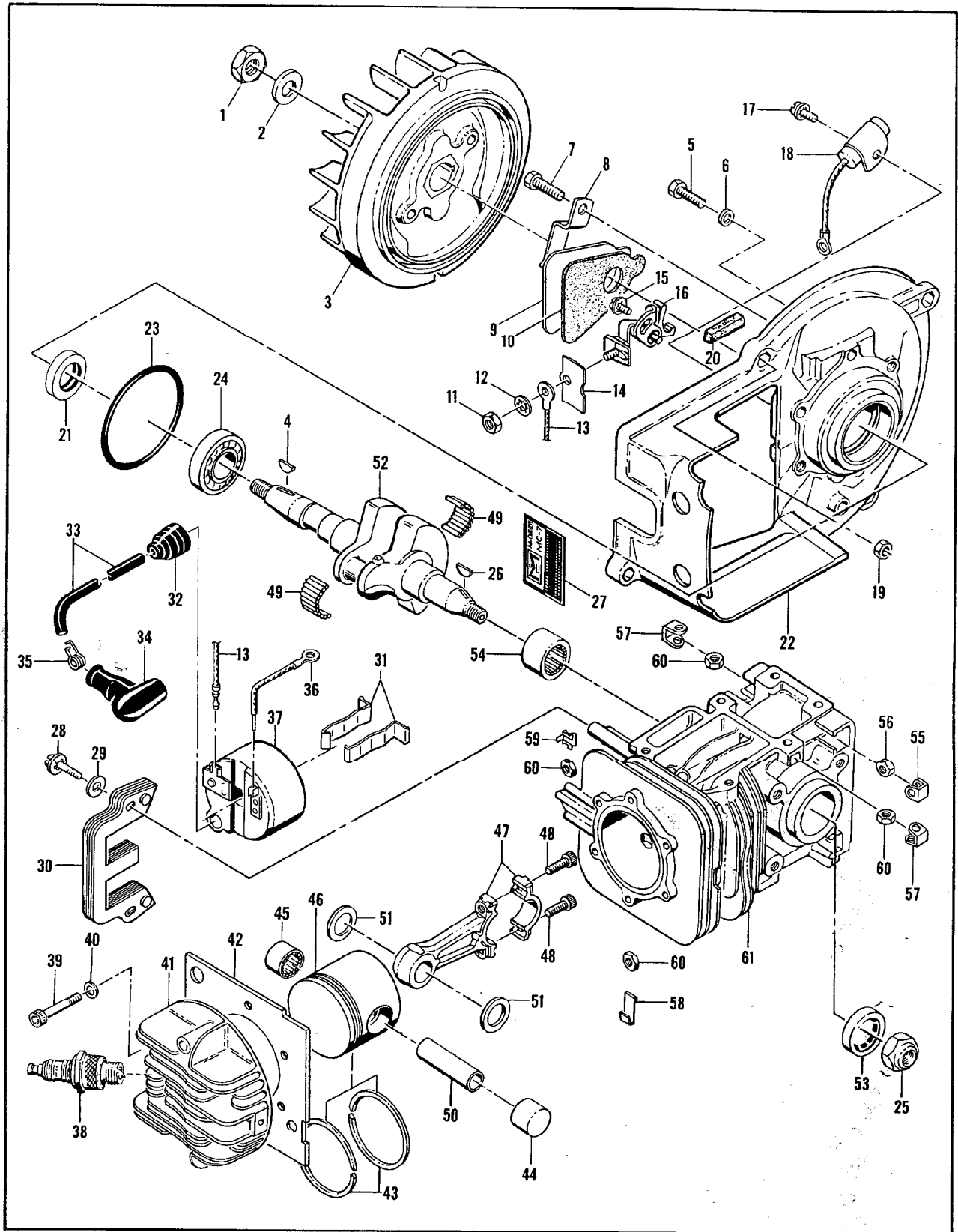


Figure 3. Powerhead Assembly

## FIGURE 3. POWERHEAD ASSEMBLY

Index No.	Part Number	Nomenclature	Units Per Assy
1	101179	Nut - Hex 7/16-20	1
2	101270	Washer - Special	1
3	48785A	Flywheel Assy	1
4	100199	Key - Woodruff No. 3	1
5	102289	Screw - Hex hd 10-24 x 3/4 in. lg	4
6	102189	Washer - Plain #10	4
7	55494	Sealing Screw - Hex hd	2
8	50671	Retainer - Breaker box cover	1
9	50588	Cover - Breaker box	1
10	50589	Gasket - Breaker box	1
11	100251	Nut - Hex 8-32	1
12	100057	Lockwasher - Internal No. 8	1
13	57225	Wire Assy - Primary	1
14	50381A	Insulator - Breaker terminal	1
15	103672	Screw - Fil hd 8-32 x 1/2 in. lg (SEMS)	1
16	50076A	Breaker Assy	1
17	103672	Screw - Fil hd 8-32 x 1/2 in. lg (SEMS)	1
18	50074	Condenser	1
	57126	Crankcase Cover Assy	1
19	101326	. Nut - Hex 10-24	2
20	54184	. Wiper - Crankcase cover felt	1
21	50663	. Oil Seal - Crankcase	1
22		. Cover - Crankcase (Order Crankcase Cover Assy #57126)	1
23	104523	"O" Ring	1
24	100824	Bearing - Ball	1
25	103746	Locknut - Hex 3/8-24	1
26	100199	Key - Woodruff No. 3	1
27	48524	Nameplate	1
28	101965	Screw - Hex hd 10-24 x 7/8 in. lg (SEMS)	2
29	100003	Washer - Plain No. 10	2
30	51251	Lamination Assy	1
31	51253	Retainer - Coil	2
	55949A	Coil and Terminal Assy	1
32	55617	. Nipple	1
33	52547	. Wire Assy - Spark plug	1
34	55060	. Boot - Spark plug	1
35	55061	. Connector	1
36	101883	. Wire Assy - Ground	1
37		. Coil Assy (Order Coil and Terminal Assy #55949A)	1
38		Plug - Spark 14-mm	1
39	104534	Screw - Socket hd 10-24 x 1-13/32 in. lg	6
40	24236	Washer - Plain No. 10	6
41	48587	Head - Cylinder	1
42	48742A	Gasket - Cylinder head	1
	48518	Piston Assy	1
43	48978	. Ring Set - Piston (Two rings - top ring chrome)	1
44	104378	. Bearing - Closed end	1
45	101206	. Bearing	1
46		. Piston (Order Piston Assy #48518)	1
47	48905	Connecting Rod Assy	1
48	104589	. Screw - Socket hd 10-32 x 0.552 in. lg	2
49	102742	. Roller - Needle	24
50	58132	Pin - Piston	1
51	51209	Washer - Thrust	2
52	48586	Crankshaft	1
	48993	Crankcase Assy	1
53	104128	. Oil Seal	1
54	104129	. Bearing - Needle	1
55	18556A	. Retainer - Nut	4
56	101143	. Locknut - Hex 1/4-20	4
57	28053	. Retainer - Nut	2
58	57063	. Retainer - Nut	4
59	104255	. Retainer - Nut	2
60	101326	. Nut - Hex 10-24	8
61		. Crankcase (Order Crankcase Assy #48993)	1