

# MC-6

November 1960

# ILLUSTRATED PARTS LIST

The following pages contain an illustrated parts list for the Model MC-6 Kart engine. Due to small differences between engines, it is important that the Serial Number of your engine be included whenever spare parts are ordered. This will assure receiving the proper parts from your dealer.

## ILLUSTRATIONS

- Figure 1. Engine Assembly, Model MC-6 Engine.... Page 2  
Figure 2. McCulloch Carburetor Assembly..... 4  
Figure 3. Powerhead Assembly ..... 6

*McCULLOCH  
KART ENGINE  
MODEL MC-6*



**McCULLOCH CORPORATION**  
6101 West Century Boulevard, Los Angeles 45, California

#48797A

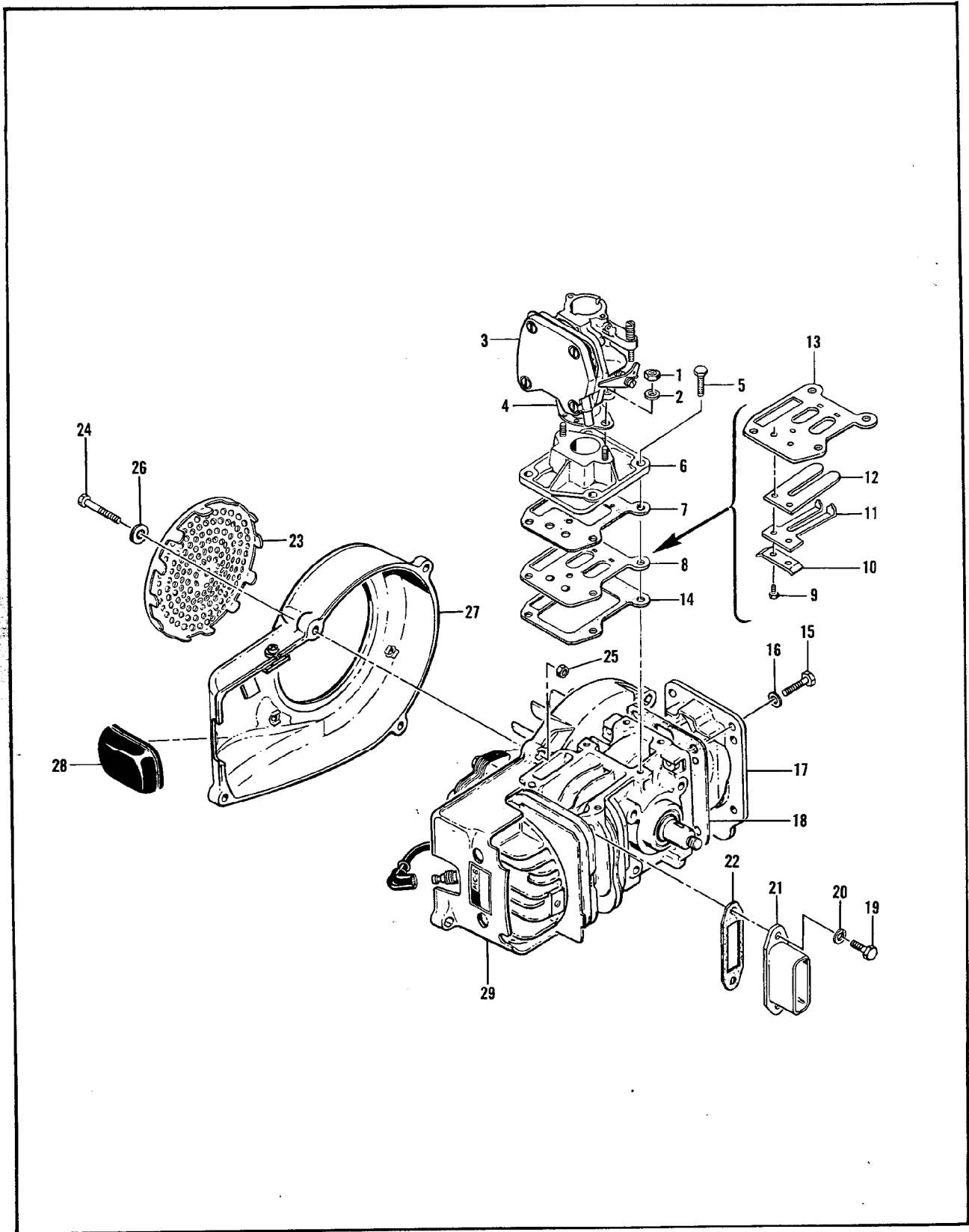


Figure 1. Engine Assembly, Model MC-6 Engine

FIGURE 1. ENGINE ASSEMBLY - GENERAL

MC-6

Index No.	Part Number	Nomenclature	Units Per Assy
1-1	100249	Nut - Hex 1/4-28 .....	2
-2	100153	Washer - Lock 1/4-inch .....	2
-3	48730B	Tillotson Carburetor Assy (See Figure 2) .....	1
-4	51161C	Gasket - Carburetor .....	1
-5	103947	Screw - Hex hd 10-24 x 1 in. lg (Sems) .....	4
-6	48608	Manifold Assy - Intake .....	1
-7	48604	Gasket - Intake Manifold .....	1
-8		Reed Valve Plate Assy .....	1
-9	104476	. Screw - Hex hd 8-32 x 0.31-in. lg .....	2
-10	51480	. Lockplate .....	1
-11	51810A	. Guard - Reed .....	1
-12	51809A	. Valve - Reed .....	1
-13	48791	. Plate - Reed .....	1
-14	48605	Gasket - Reed valve plate .....	1
-15	100882	Screw - Hex hd 1/4-20 x 3/4-in. lg .....	4
-16	100311	Washer - Plain 1/4-in. ....	4
-17	51789D	Bottom - Crankcase .....	1
-18	48648	Gasket - Crankcase bottom .....	1
-19	102388	Screw - Hex hd 10-24 x 5/8-in. lg .....	2
-20	103100	Lockwasher - No. 10 .....	2
-21	48609	Header - Exhaust .....	1
-22	36093	Gasket - Exhaust header .....	1
-23	51207	Guard - Dirt .....	1
-24	102761	Screw - Hex hd 10-24 x 7/8-in. lg .....	4
-25	101191	Locknut - Hex 10-24 .....	2
-26	102189	Washer - Plain No. 10 .....	4
-27	48796A	Fan Housing Assy.....	1
-28	57565	Cover Assy - Spark plug .....	1
-29		Powerhead Assy (See Figure 3).....	1

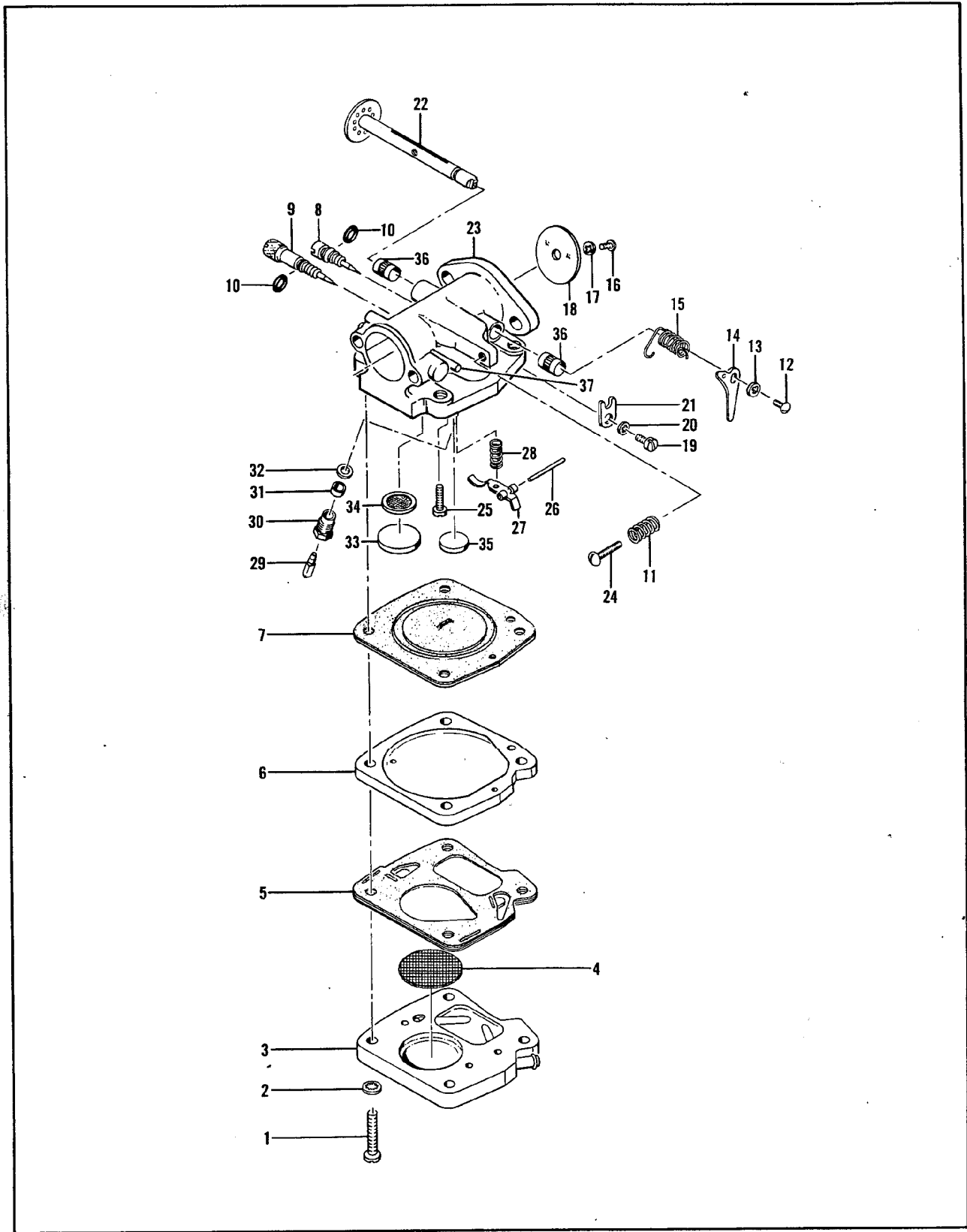


Figure 2. McCulloch Carburetor Assembly

FIGURE 2. McCULLOCH CARBURETOR ASSEMBLY

MC-6

Index No.	Part Number	Nomenclature	Units Per Assy
2-	48811	McCulloch Carburetor and Fuel Pump Assy .....	1
-1	104397	. Screw - Pan hd 10-24 x 7/8 in. lg .....	4
-2	101194	. Washer - Lock .....	4
-3	57376	. Body Assy - Fuel pump .....	1
-4	57277	. Filter - Fuel pump .....	1
-5	57274	. Diaphragm - Fuel pump .....	1
-6	57272	. Plate - Carburetor diaphragm .....	1
-7	55067A	. Diaphragm .....	1
-8	55090	. Needle - Metering .....	1
-9	48810	. Needle - Metering main .....	1
-10	104001	. "O" Ring .....	2
-11	51705	. Spring - Idle screw .....	1
-12	104000	. Screw - Pan hd 4-40 x 1/4 in. lg .....	1
-13	103540	. Lockwasher - Internal .....	1
-14	50701A	. Arm - Throttle shaft .....	1
-15	48820	. Spring - Throttle return .....	1
-16	104000	. Screw - Pan hd 4-40 x 1/4 in. lg .....	1
-17	103540	. Lockwasher - Internal .....	1
-18	55085	. Plate - Throttle .....	1
-19	102219	. Screw - Fil hd 8-32 x 1/4 in. lg .....	1
-20	100252	. Lockwasher - No. 8 .....	1
-21	55082	. Clip - Throttle shaft .....	1
-22	48818	. Shaft - Throttle Assy .....	1
-23	55361B	. Carburetor Body Assy .....	1
-24	55397	. Screw - Idle .....	1
-25	104164	. Screw - Pan hd 4-40 x 1/4 in. lg .....	1
-26	104305	. Pin - Inlet lever .....	1
-27	55688	. Lever - Inlet control .....	1
-28	57172	. Spring - Inlet lever .....	1
-29	55476	. Valve - Needle .....	1
-30	55475	. Body - Needle .....	1
-31	55474	. Seat - Needle .....	1
-32	55689	. Washer - Valve .....	1
-33	104407	. Plug - Expansion .....	1
-34	55690A	. Seal - Capillary .....	1
-35	102758	. Plug - Expansion .....	1
-36	55062A	. Bushing - Carburetor body .....	2
-37	104210	. Pin - Groove .....	1

25 30

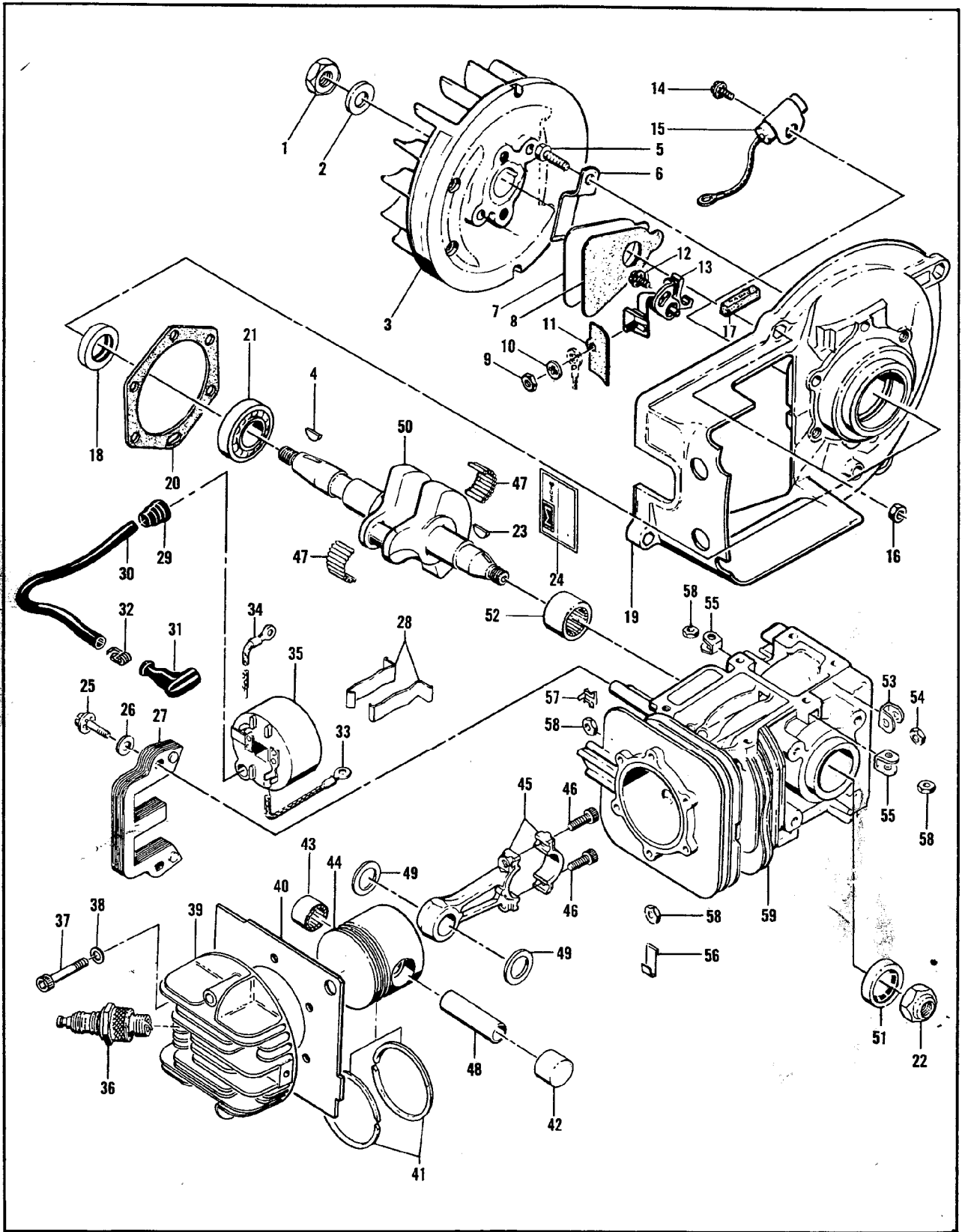


Figure 3. Powerhead Assembly

# FIGURE 3. POWERHEAD ASSEMBLY

**MC-6**

Index No.	Part Number	Nomenclature	Units Per Assy
3-1	101179	Nut - Hex 7/16-20 .....	1
-2	101270	Washer - Special .....	1
-3	48785	Flywheel Assy .....	1
-4	100199	Key - Woodruff No. 3 .....	1
-5	55494	Sealing Screw - Hex hd .....	6
-6	50671	Retainer - Breaker box cover .....	1
-7	50588	Cover - Breaker box .....	1
-8	50589	Gasket - Breaker box .....	1
-9	100251	Nut - Hex 8-32 .....	1
-10	100057	Lockwasher - Internal No. 8 .....	1
-11	50381	Insulator - Breaker terminal .....	1
-12	103672	Screw - Fil hd 8-32 x 1/2 in. lg (Sems) .....	1
-13	50076A	Breaker Assy .....	1
-14	103672	Screw - Fil hd 8-32 x 1/2 in. lg (Sems) .....	1
-15	50074	Condenser .....	1
	57126	Crankcase Cover Assy .....	1
-16	101326	. Nut - Hex 10-24 .....	2
-17	54184	. Wiper - Crankcase cover felt .....	1
-18	50663	. Oil Seal - Crankcase .....	1
-19		. Cover - Crankcase (Order Crankcase Cover Assy #57126) <b>A</b> .....	1
-20	51240	Gasket - Crankcase cover .....	1
-21	100824	Bearing - Ball .....	1
-22	103746	Locknut - Hex 3/8-24 .....	1
-23	100199	Key - Woodruff No. 3 .....	1
-24	48799	Nameplate .....	1
-25	104138	Screw - Hex hd 10-24 x 7/8 in. lg (Sems) .....	2
-26	102189	Washer - Plain No. 10 .....	2
-27	51251	Lamination Assy .....	1
-28	51253	Retainer - Coil .....	2
	55973	Coil and Terminal Assy .....	1
-29	55617	. Nipple .....	1
-30	52547	. Wire Assy - Spark plug .....	1
-31	55060	. . Boot - Spark plug .....	1
-32	55061	. . Connector .....	1
-33	101883	. Wire Assy - Ground .....	1
-34	50137	. Wire Assy - Primary .....	1
-35		. Coil Assy (Order Coil and Terminal Assy #55973) .....	1
-36		Plug - Spark 14-mm (J-4J or equivalent) .....	1
-37	101563	Screw - Socket hd 10-24 x 1-1/4 in. lg .....	6
-38	24236	Washer - Plain No. 10 .....	6
-39	55146A	Head - Cylinder .....	1
-40	48816	Gasket - Cylinder head .....	1
	48844	Piston Assy .....	1
-41	48691	. Ring Set - Piston (Two rings - top ring chrome) .....	1
-42	104378	. Bearing - Closed end .....	1
-43	101206	. Bearing .....	1
-44		. Piston (Order Piston Assy #48844) .....	1
-45	55009	Connecting Rod Assy .....	1
-46	101356	. Screw - Socket hd 10-32 x 5/8 in. lg .....	2
-47	102742	. Roller - Needle .....	24
-48	57198	Pin - Piston .....	1
-49	51209	Washer - Thrust .....	2
-50	48744	Crankshaft .....	1
	48701	Crankcase Assy .....	1 <b>3350</b>
-51	104128	. Oil Seal .....	1
-52	104129	. Bearing - Needle .....	1
-53	18556A	. Retainer - Nut .....	4
-54	101143	. Locknut - Hex 1/4-20 .....	4
-55	28053	. Retainer - Nut .....	2
-56	57063	. Retainer - Nut .....	4
-57	104255	. Retainer - Nut .....	2
-58	101326	. Locknut - Hex 10-24 .....	8
-59		. Crankcase (Order Crankcase Assy #48701) .....	1