



**MCCULLOCH**

MODEL **MC-6** ENGINE

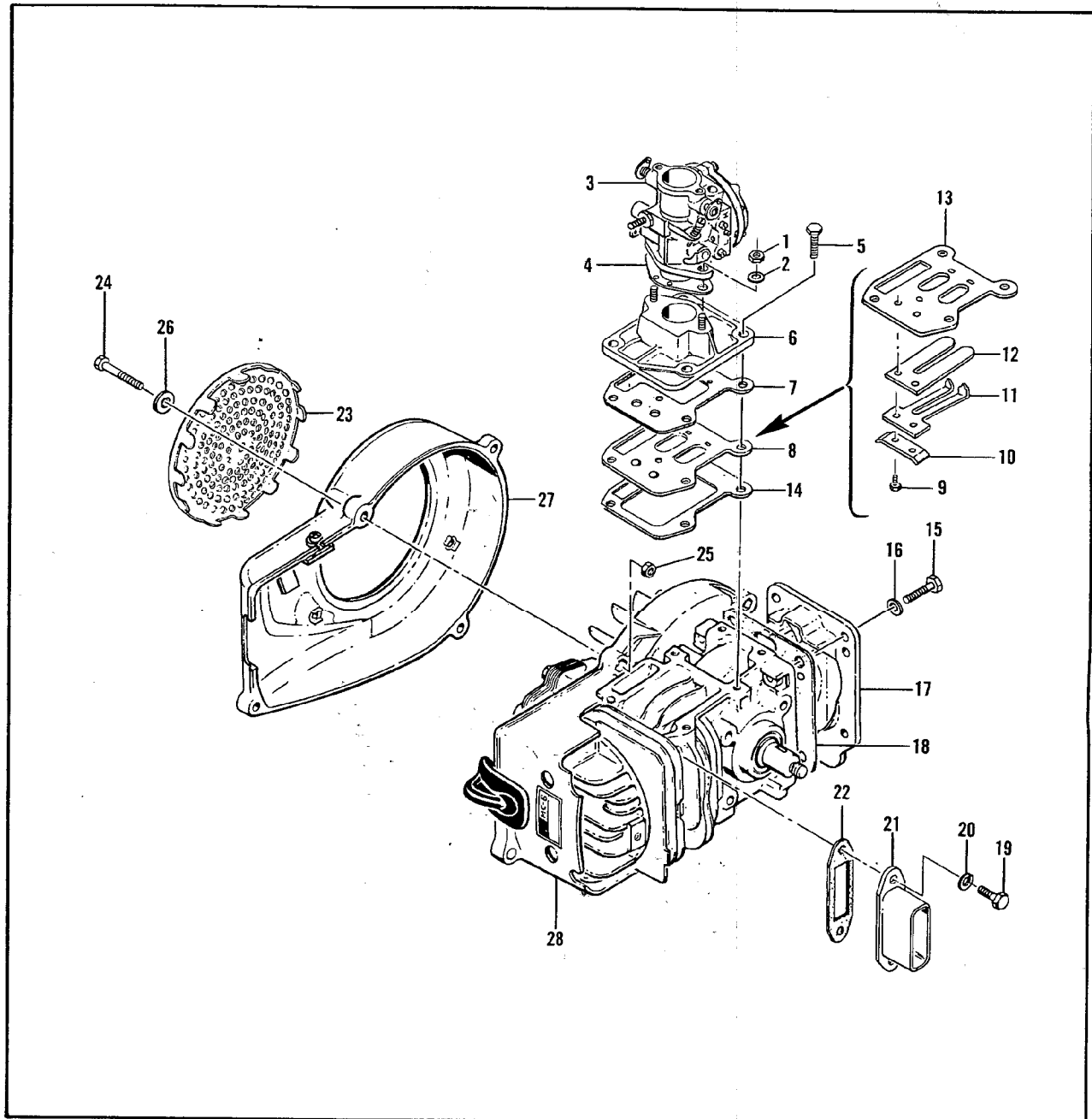


Figure 1. Engine Assembly, Model MC-6 Engine

#48797  
July 1960

Index No.	Part Number	Nomenclature	Units Per Assy
-----------	-------------	--------------	----------------

ENGINE ASSEMBLY, MODEL MC-6 ENGINE

1-1	100249	Nut - Hex 1/4-28 .....	2
-2	100153	Washer - Lock 1/4 in. ....	2
-3	48730B	Carburetor Assy - Tillotson .....	1
-4	51161C	Gasket- Carburetor .....	1
-5	103947	Screw - Hex-head 10-24 x 1 in. lg (Sems) .....	4
-6	48608	Intake Manifold Assy .....	1
-7	48604	Gasket - Intake manifold .....	1
-8		Reed Valve Plate Assy .....	1
-9	104348	. Screw - Hex-head 8-32 x 0.31 in. lg. ....	2
-10	51480	. Lockplate .....	1
-11	51810A	. Guard - Reed .....	1
-12	51809A	. Valve - Reed .....	1
-13	48791	. Plate - Reed .....	1
-14	48605	Gasket - Reed valve plate .....	1
-15	100882	Screw - Hex-head 1/4-20 x 3/4 in. lg .....	4
-16	100311	Washer - Plain 1/4 in. ....	4
-17	51789C	Bottom - Crankcase .....	1
-18	48648	Gasket - Crankcase bottom .....	1
-19	102388	Screw - Hex-head 10-24 x 5/8 in. lg .....	2
-20	103100	Lockwasher - No. 10 .....	2
-21	48609	Header - Exhaust .....	1
-22	36093	Gasket - Exhaust header .....	1
-23	51207	Guard - Dirt .....	1
-24	102761	Screw - Hex-head 10-24 x 7/8 in. lg .....	4
-25	101191	Locknut - Hex 10-24 .....	2
-26	102189	Washer - Plain No. 10 .....	4
-27	48796	Fan Housing Assy .....	1
-28		Powerhead Assy .....	1

Index No.	Part Number	Nomenclature	Units Per Assy
-----------	-------------	--------------	----------------

POWERHEAD ASSEMBLY, MODEL MC-6 ENGINE

2-1	101179	Nut - Hex 7/16-20 .....	1
-2	101270	Washer - Special .....	1
-3	48785	Flywheel Assy .....	1
-4	100199	Key - Woodruff No. 3 .....	1
-5	55494	Sealing Screw - Hex-head 10-24 x 3/4 in. lg .....	6
-6	50671	Retainer - Breaker box cover .....	1
-7	50588	Cover - Breaker box .....	1
-8	50589	Gasket - Breaker box .....	1
-9	100251	Nut - Hex 8-32 .....	1
-10	100057	Lockwasher - Internal No. 8 .....	1
-11	50381	Insulator - Breaker terminal .....	1
-12	103672	Screw - Fil-head 8-32 x 1/2 in. lg (Sems) .....	1
-13	50076A	Breaker Assy .....	1
-14	103672	Screw - Fil-head 8-32 x 1/2 in. lg (Sems) .....	1
-15	50074	Condenser .....	1
	57486	Crankcase Cover Assy .....	1
-16	101191	. Locknut - Hex 10-24 .....	2
-17	54184	. Wiper - Crankcase cover felt .....	1
-18	50663	. Oil Seal - Crankcase .....	1
-19		. Cover - Crankcase ..... (Order Crankcase Cover Assy P/N 57486)	1
-20	51240	Gasket - Crankcase cover .....	1
-21	100824	Bearing - Ball .....	1

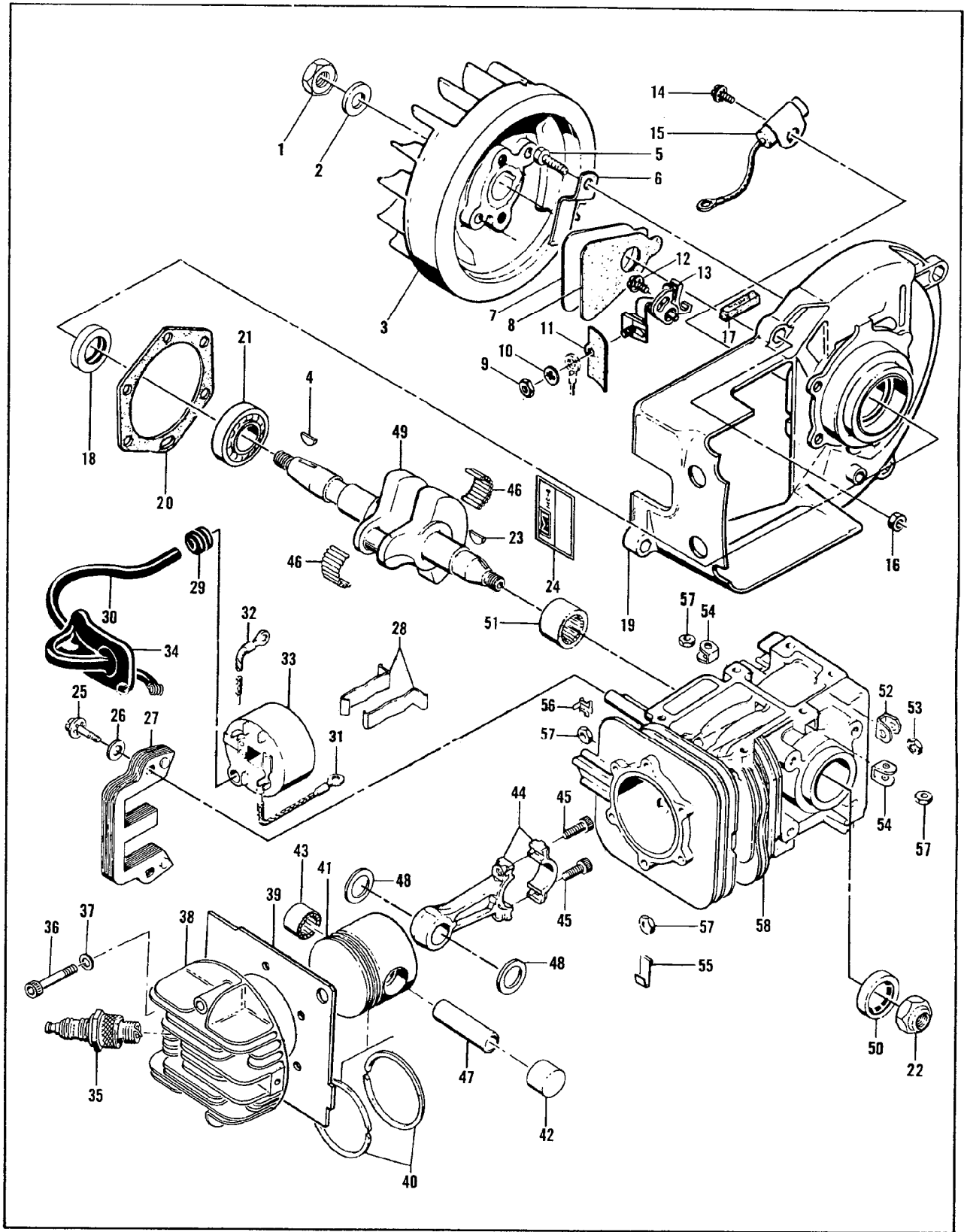


Figure 2. Powerhead Assembly, Model MC-6 Engine

Index No.	Part Number	Nomenclature	Units Per Assy
--------------	----------------	--------------	-------------------

POWERHEAD ASSEMBLY, MODEL MC-6 ENGINE (continued)

2-22	103746	Locknut - Hex 3/8-24 .....	1
-23	100199	Key - Woodruff No. 3 .....	1
-24	48799	Nameplate .....	1
-25	104138	Screw - Hex-head 10-24 x 7/8 in. lg (Sems) .....	2
-26	102189	Washer - Plain No. 10 .....	2
-27	51251	Lamination Assy .....	1
-28	51253	Retainer - Coil .....	2
	48755	Coil and Terminal Assy .....	1
-29	100268	. Grommet .....	1
-30	57121	. Spark Plug Wire Assy .....	1
-31	101883	. Ground Wire Assy .....	1
-32	50137	. Primary Wire Assy .....	1
-33		. Coil Assy ..... (Order Coil and Terminal Assy P/N 48755)	1
-34	57116	Boot - Spark plug .....	1
-35		Plug - Spark 14-mm (J-4J or equivalent) .....	1
-36	101563	Screw - Socket-head 10-24 x 1-1/4 in. lg .....	6
-37	24236	Washer - Plain No. 10 .....	6
-38	55146A	Head - Cylinder .....	1
-39	55012B	Gasket - Cylinder head .....	1
	48695	Piston Assy .....	1
-40	48691	. Piston Ring Set (Two rings - top ring chrome) .....	1
-41		. Piston ..... (Order Piston Assy P/N 48695)	1
-42	104378	. Bearing .....	1
-43	101206	. Bearing .....	1
-44	55009	Connecting Rod Assy .....	1
-45	101356	. Screw - Socket-head 10-32 x 5/8 in. lg .....	2
-46	102742	. Roller - Needle .....	24
-47	57198	Pin - Piston .....	1
-48	51209	Washer - Thrust .....	2
-49	48744	Crankshaft .....	1
	48701	Crankcase Assy .....	1
-50	104128	. Oil Seal .....	1
-51	104129	. Bearing - Needle .....	1
-52	18556A	. Retainer - Nut .....	4
-53	101143	. Locknut - Hex 1/4-20 .....	4
-54	28053	. Retainer - Nut .....	2
-55	57063	. Retainer - Nut .....	4
-56	104255	. Retainer - Nut .....	2
-57	101326	. Locknut - Hex 10-24 .....	8
-58		. Crankcase ..... (Order Crankcase Assy P/N 48701)	1