



MCCULLOCH

MODEL **MC-5** ENGINE

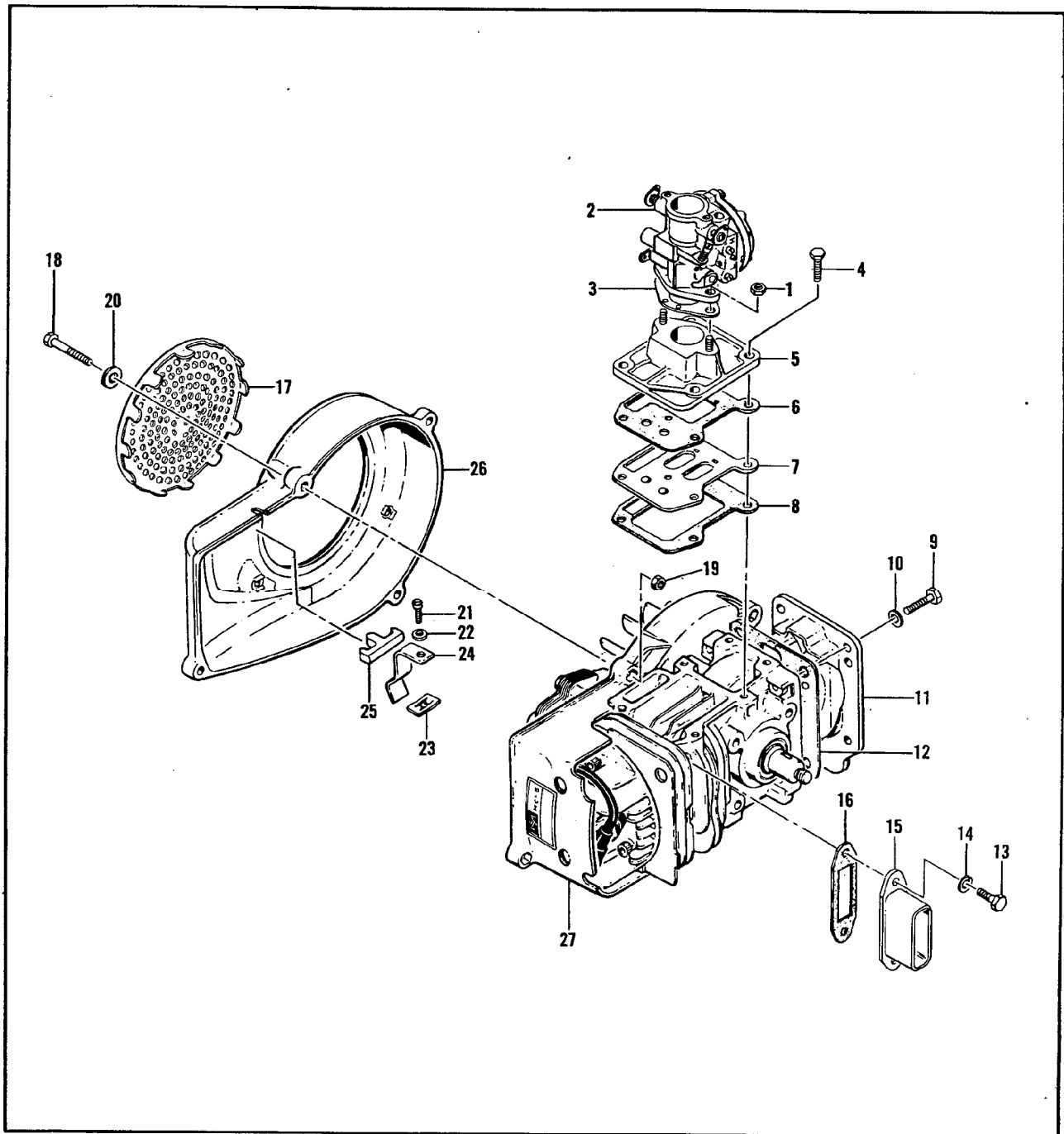


Figure 1. Engine Assembly, Model MC-5 Engine

#48707-1
April 1960

Index No.	Part Number	Nomenclature	Units Per Assy
ENGINE ASSEMBLY, MODEL MC-5 ENGINE			
1-1	100249	Nut - Hex 1/4-28	2
-2	48730	Carburetor Assy	1
-3	51161B	Gasket - Carburetor	1
-4	103947	Screw - Hex-head 10-24 x 1 in. lg (Sems)	4
-5	48608	Intake Manifold Assy	1
-6	48604	Gasket - Intake manifold	1
-7	48603	Reed Valve Plate Assy	1
-8	48605	Gasket - Reed valve plate	1
-9	100882	Screw - Hex-head 1/4-20 x 3/4 in. lg	4
-10	100005	Washer - Plain 1/4 in.	4
-11	51789C	Bottom - Crankcase	1
-12	48648	Gasket - Crankcase bottom	1
-13	102388	Screw - Hex-head 10-24 x 5/8 in. lg	2
-14	103100	Lockwasher - No. 10	2
-15	48609	Header - Exhaust	1
-16	36093	Gasket - Exhaust header	1
-17	51207	Guard - Dirt	1
-18	102761	Screw - Hex-head 10-24 x 7/8 in. lg	4
-19	101191	Locknut - Hex 10-24	2
-20	102189	Washer - Plain No. 10	4
	50758	Fan Housing Assy	1
-21	101454	. Screw - Binding-head No. 8 x 3/8 in. lg	1
-22	100080	. Washer - Plain No. 8	1
-23	102399	. Speednut	1
-24	50818	. Spring - Ignition switch	1
-25	50817	. Button - Ignition switch	1
-26		. Housing - Fan (Order Fan Housing Assy P/N 50758)	1
-27		Powerhead Assy	1

Index No.	Part Number	Nomenclature	Units Per Assy
POWERHEAD ASSEMBLY, MODEL MC-5 ENGINE			
2-1	101179	Nut - Hex 7/16-20	1
-2	101270	Washer - Special	1
-3	50003A	Flywheel Assy	1
-4	100199	Key - Woodruff No. 3	1
-5	55494	Sealing Screw - Hex-head 10-24 x 3/4 in. lg	6
-6	50671	Retainer - Breaker box cover	1
-7	50588	Cover - Breaker box	1
-8	50589	Gasket - Breaker box	1
-9	100251	Nut - Hex 8-32	1
-10	100057	Lockwasher - Internal No. 8	1
-11	50381	Insulator - Breaker terminal	1
-12	103672	Screw - Fil-head 8-32 x 1/2 in. lg (Sems)	1
-13	50076A	Breaker Assy	1
-14	103672	Screw - Fil-head 8-32 x 1/2 in. lg (Sems)	1
-15	50074	Condenser	1
	50757	Crankcase Cover Assy	1
-16	28935	. Retainer - Crankcase cover nut	2
-17	101191	. Locknut - Hex 10-24	2
-18	54184	. Wiper - Crankcase cover felt	1
-19	50663	. Oil Seal - Crankcase	1
-20		. Cover - Crankcase (Order Crankcase Cover Assy P/N 50757)	1
-21	51240	Gasket - Crankcase cover	1
-22	100824	Bearing - Ball	1

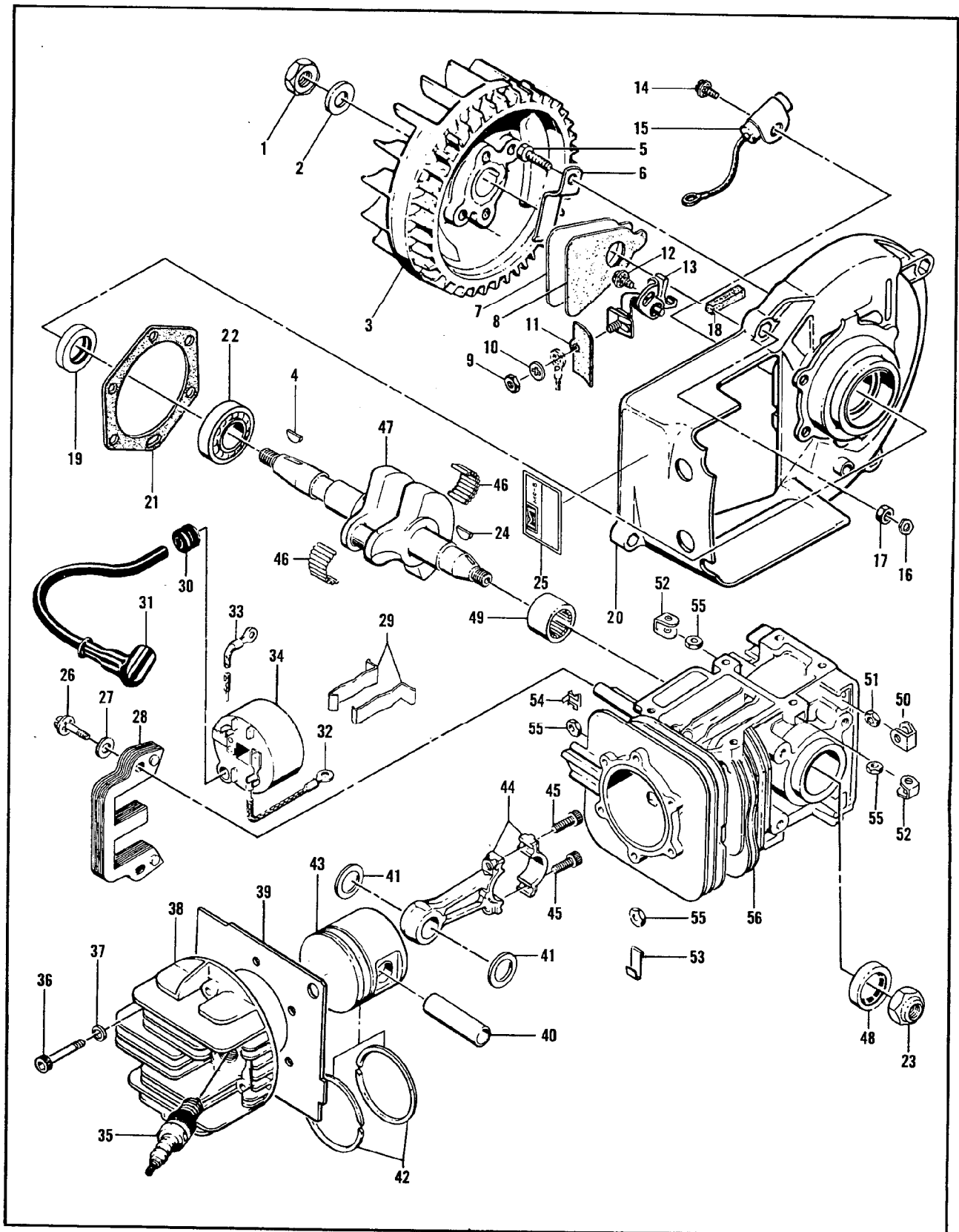


Figure 2. Powerhead Assembly, Model MC-5 Engine

Index No.	Part Number	Nomenclature	Units Per Assy
--------------	----------------	--------------	-------------------

POWERHEAD ASSEMBLY, MODEL MC-5 ENGINE (continued)

-23	103746	Locknut - Hex 3/8-24	1
-24	100199	Key - Woodruff No. 3	1
-25	48702	Nameplate	1
-26	104138	Screw - Hex-head 10-24 x 7/8 in. lg (Sems)	2
-27	102189	Washer - Plain No. 10	2
-28	51251	Lamination Assy	1
-29	51253	Retainer - Coil	2
	50121	Coil and Terminal Assy	1
-30	100268	. Grommet	1
-31	50120	. Spark Plug Wire Assy	1
-32	101883	. Ground Wire Assy	1
-33	50137	. Primary Wire Assy	1
-34		. Coil Assy (Order Coil and Terminal Assy P/N 50121)	1
-35		Plug - Spark 14-mm	1
-36	101563	Screw - Socket-head 10-24 x 1-1/4 in. lg	6
-37	24236	Washer - Plain No. 10	6
-38	55146A	Head - Cylinder	1
-39	55012B	Gasket - Cylinder head	1
-40	57198	Pin - Piston	1
-41	51209	Washer - Thrust	2
	55007A	Piston Assy	1
-42	55123	. Piston Ring Set (Two rings - top ring chrome)	1
-43		. Piston (Order Piston Assy P/N 55007)	1
-44	55009	Connecting Rod Assy	1
-45	101356	. Screw - Socket-head 10-32 x 5/8 in. lg	2
-46	102742	. Roller - Needle	24
-47	50756	Crankshaft	1
	48701	Crankcase Assy	1
-48	104128	. Oil Seal	1
-49	104129	. Bearing - Needle	1
-50	18556A	. Retainer - Nut	4
-51	101143	. Locknut - Hex 1/4-20	4
-52	28053	. Retainer - Nut	2
-53	57063	. Retainer - Nut	4
-54	104255	. Retainer - Nut	2
-55	101326	. Locknut - Hex 10-24	8
-56		. Crankcase (Order Crankcase Assy P/N 48701)	1