

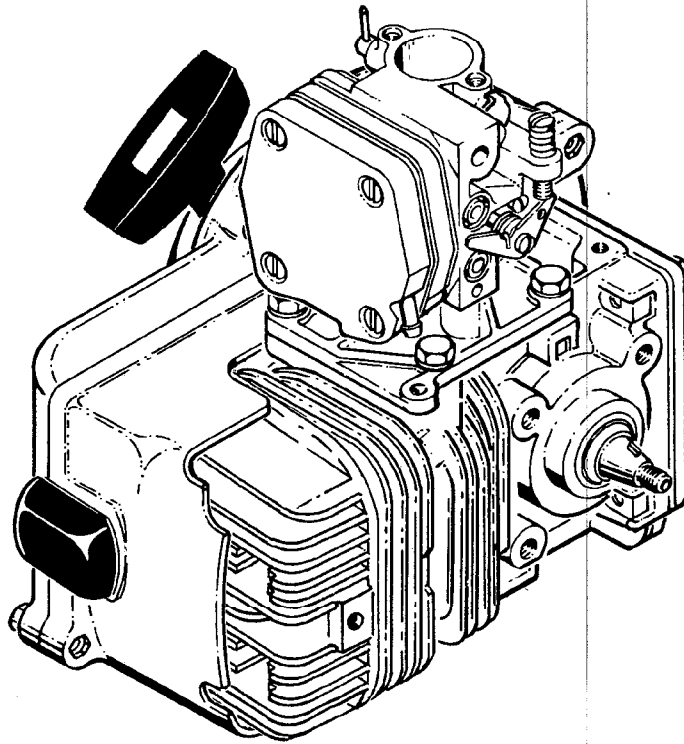
# KART ENGINE

# MC 49-C

Serial Numbers Prefixed 13-

# ILLUSTRATED PARTS LIST

JULY 1968



The policy of McCulloch Corporation is one of continual improvement in design, manufacturing and engineering advancement wherever possible to assure still finer two-cycle power tools. Hence, specifications, equipment, colors, design and manufacturer's suggested list prices are subject to change without notice and McCulloch Corporation reserves the right to make such changes without prior notification or obligation to backfit or supply backfit components for units previously shipped from the factory.

	Page
Figure 1. Engine Exploded View - General .....	2
Figure 2. Carburetor Assembly .....	4
Figure 3. Powerhead Assembly .....	6



# McCULLOCH

COPYRIGHT 1968 U.S.A. --  
McCULLOCH CORPORATION

#68797

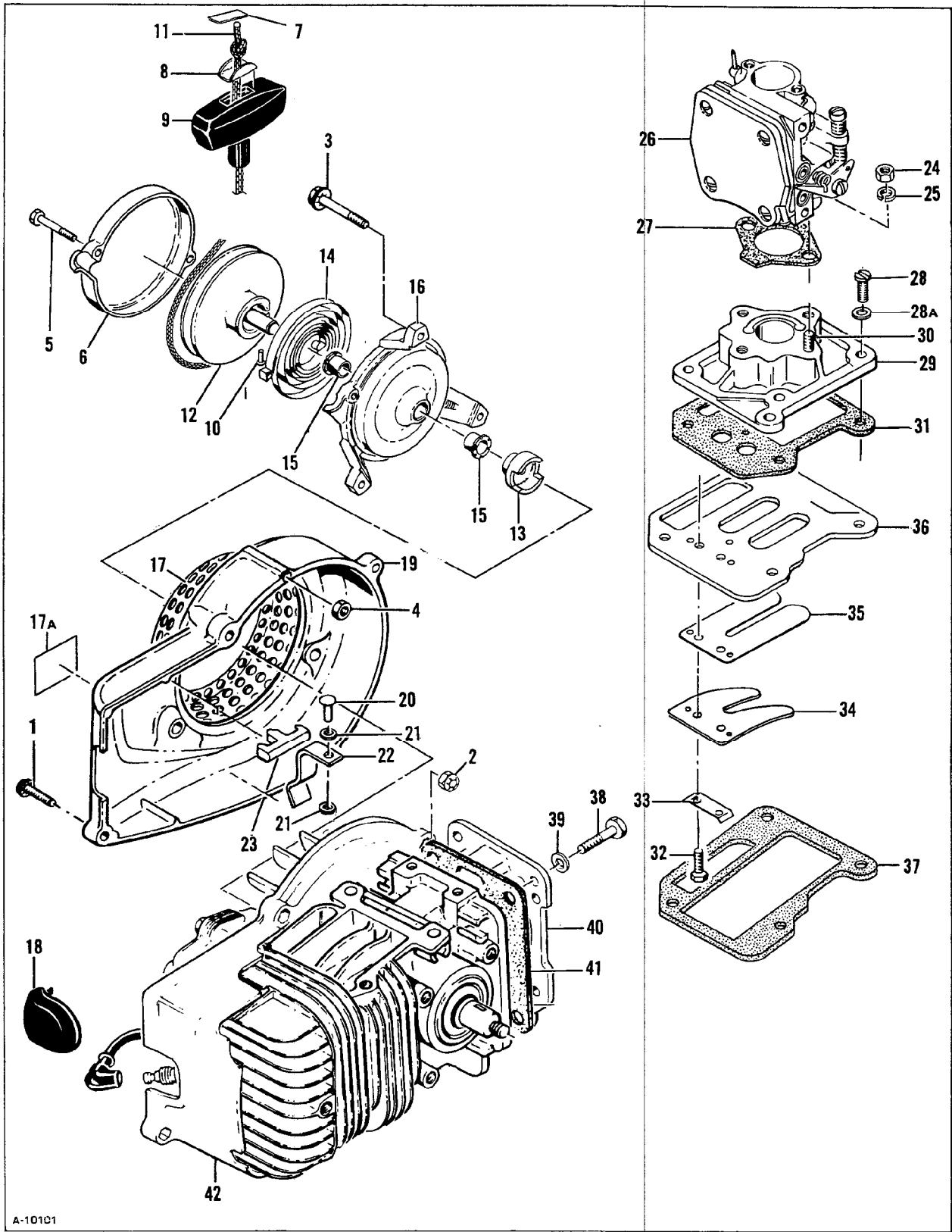


Figure 1. Engine Exploded View - General

FIGURE 1. ENGINE EXLODED VIEW — GENERAL

Item No.	Part Number	Description	Units Per Assy
1	104815	Screw - Hex hd 10-24 x 7/8 (Sems)	4
2	101326	Nut - Hex 10-24	2
3	104815	Screw - Hex hd 10-24 x 7/8 (Sems)	3
4	101191	Nut - Hex 10-24	3
	60130	Starter Assy	1
5	104396	. Screw - Pan hd 10-24 x 3/4	2
6	60647	. Cover- Starter	1
7	57232	. Plate - Starter handle	1
8	57231	. Cup - Starter handle	1
9	57230	. Handle - Starter	1
10	101136	. Rivet - Rd hd 3/32 x 3/8	1
11	28716	. Rope - Starter	1
12	57792	. Drum - Starter	1
13	57790	. Ratchet - Starter	1
14	51665	. Spring - Starter rewind	1
15	57535	. Bushing - Starter base	2
16	60646	. Base - Starter	1
17	50581A	Guard	1
17A	68896	Nameplate	1
18	57565	Cover Assy - Spark plug	1
19	57184B	Fan Housing Assy	1
20	103819	. Rivet - Oval hd 3/16 x 5/16	1

Item No.	Part Number	Description	Units Per Assy
21	24236	. Washer - Special	2
22	50818	. Spring - Switch	1
23	50817	. Button - Switch	1
24	100249	Nut - Hex 1/4-28	2
25	100153	Lockwasher - 1/4	2
26		Carburetor Assy (See Figure 2)	1
27	65586	Gasket - Carburetor	1
28	102290	Screw - Hex hd 10-24 x 1-1/8	4
28A	102189	Washer - #10	4
29	48608C	Adapter Assy - Carburetor	1
30	48611	. Stud - Adapter	2
31	65576	Gasket - Adapter	1
32	104476	Screw - Hex hd 8-32 x 5/16	2
33	51480	Lockplate	1
34	48591	Guard - Reed	1
35	48593	Valve - Reed	1
36	60218	Plate - Reed	1
37	62834	Insulator - Reed plate	1
38	101982	Screw - Hex hd 1/4-20 x 1	4
39	100311	Washer - 1/4	4
40	58139A	Cover - Crankcase bottom	1
41	65578	Gasket - Bottom cover	1
42		Powerhead Assy (See Figure 3)	1

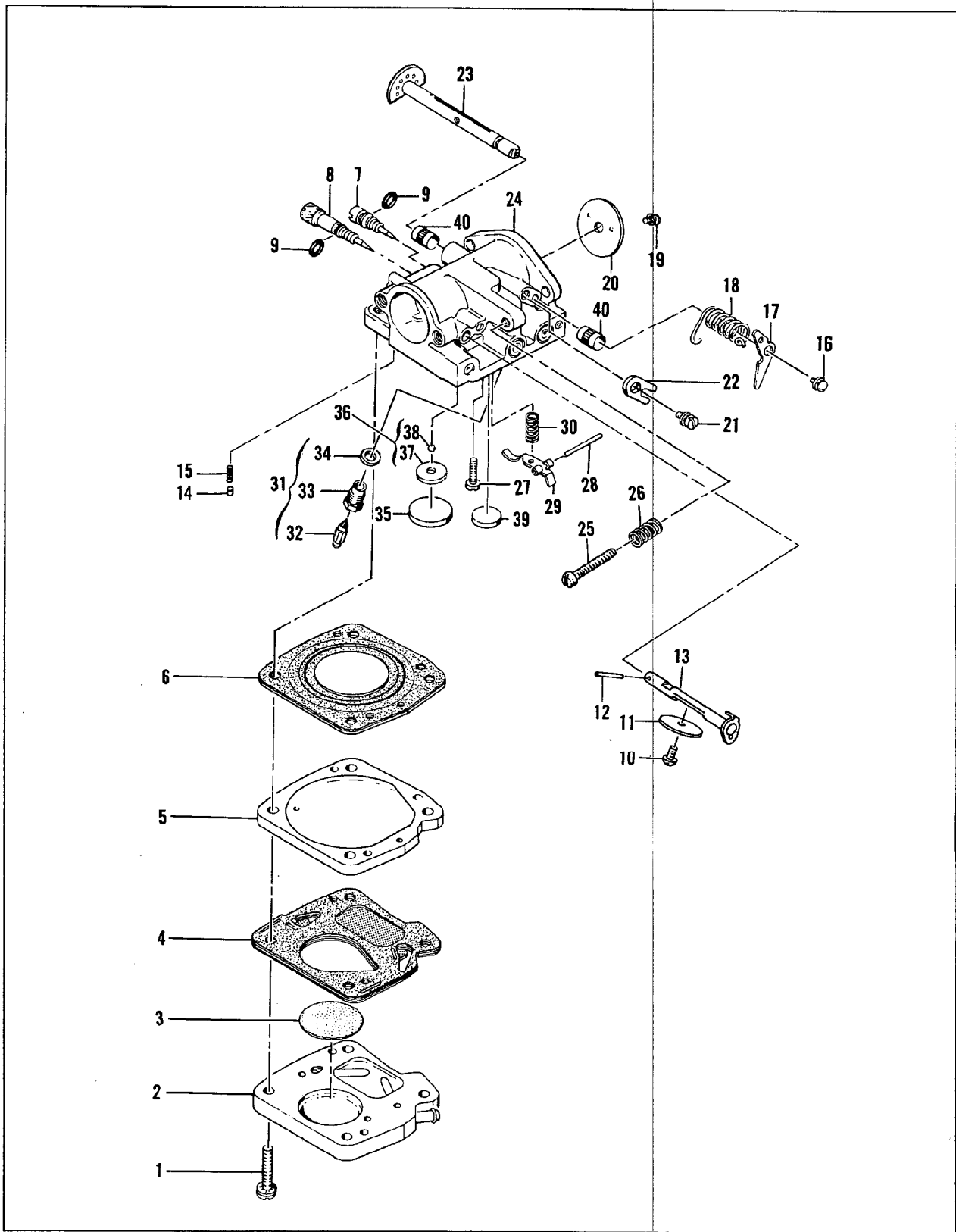
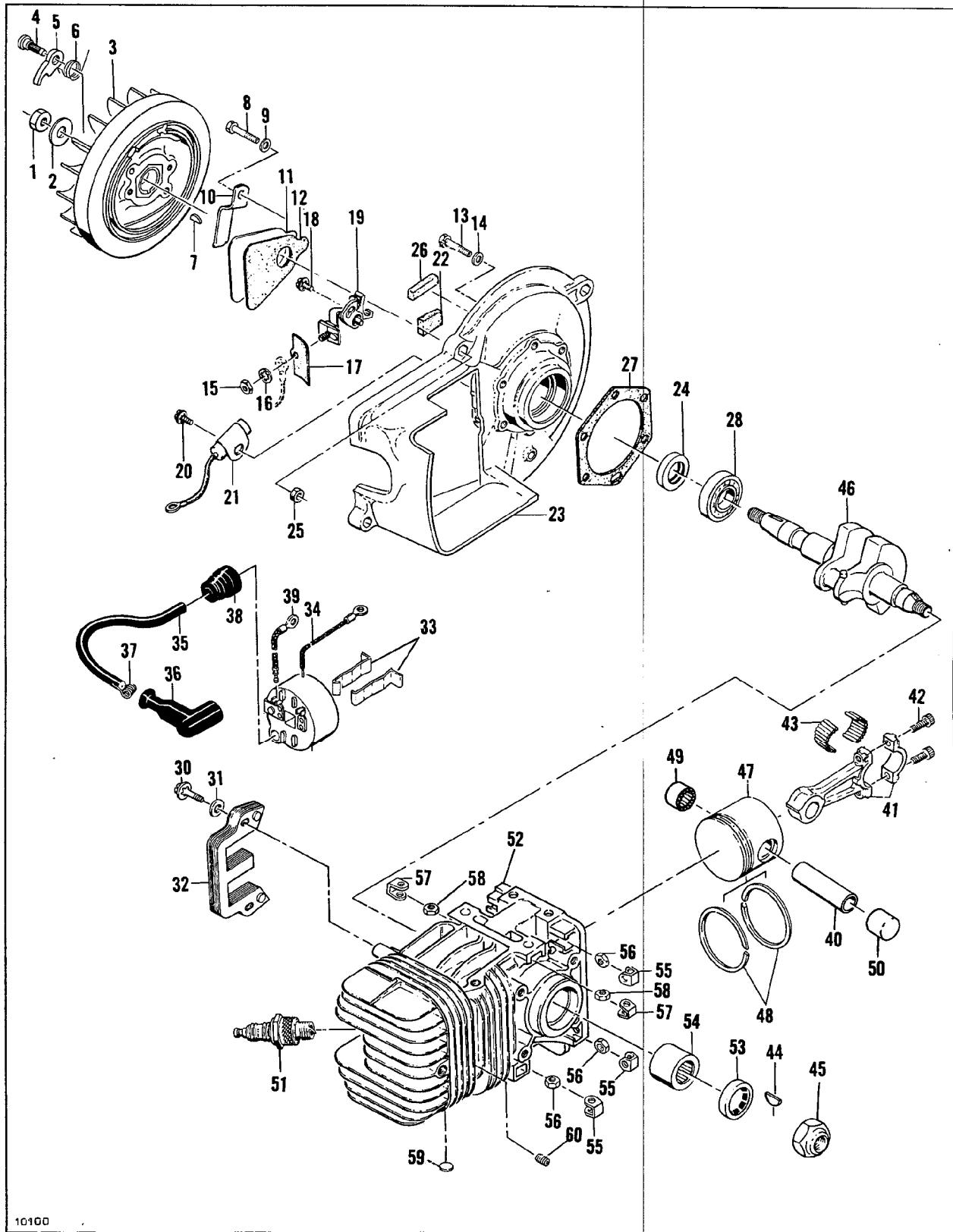


Figure 2. Carburetor Assembly

FIGURE 2. CARBURETOR ASSEMBLY

Item No.	Part Number	Description	Units Per Assy
	68795	Carburetor Assy	1
1	104520	. Screw - Pan hd 10-24 x 7/8 (Sems)	4
2	48898	. Body - Fuel pump	1
3	48911	. Filter - Fuel pump	1
4	68693	. Diaphragm - Fuel pump	1
5	48901	. Plate - Carburetor diaphragm	1
6	55067C	. Diaphragm	1
7	55090	. Needle - Idle adjusting	1
8	48810	. Needle - Main adjusting	1
9	104001	. "O" Ring	2
10	104814	. Screw - Pan hd 4-40 x 1/4 (Sems)	1
11	55085	. Plate - Choke	1
12	105015	. Pin - Groove	1
13	68891	. Shaft Assy - Choke	1
14	52929	. Pin - Choke friction	1
15	52930	. Spring - Choke friction	1
16	104814	. Screw - Pan hd 4-40 x 1/4 (Sems)	1
17	50701A	. Arm - Throttle shaft	1
18	48820	. Spring - Throttle return	1
19	104814	. Screw - Pan hd 4-40 x 1/4 (Sems)	1

Item No.	Part Number	Description	Units Per Assy
20	55085	. Plate - Throttle	1
21	110055	. Screw - Fil hd 5-32 x 3/8 (Sems)	1
22	55082	. Clip - Throttle shaft	1
23	48818A	. Shaft Assy - Throttle	1
24	68798	. Carburetor Body Assy	1
25	55397	. . Screw - Idle	1
26	51705	. . Spring - Idle screw	1
27	104164	. . Screw - Pan hd 4-40 x 1/4	1
28	104305	. . Pin - Inlet lever	1
29	55688	. . Lever - Inlet control	1
30	57172	. . Spring - Inlet lever	1
31	60163A	. . Set - Body and valve	1
32	63038	. . . Valve - Needle	1
33	58969	. . . Body - Valve	1
34	55689	. . . Washer - Valve	1
35	104407	. . Plug - Expansion 1 inch	1
36	61155	. . Set - Ball & Seat	1
37	61152	. . . Seat - Ball valve	1
38	61151	. . . Ball - Valve	1
39	110179	. . Plug - Expansion 1/2 inch	1
40	55062A	. . Bushing - Carburetor body	2



10100

Figure 3. Powerhead Assembly

FIGURE 3. POWERHEAD ASSEMBLY

Item No.	Part Number	Description	Units Per Assy
1	101179	Nut - Hex 7/16-20	1
2	101270	Washer - 7/16	1
3	68282	Flywheel and Pawl Assy	1
4	36144B	. Pin - Starter pawl	2
5	24093	. Pawl - Starter	2
6	50582	. Spring - Pawl	2
7	103879	Key - Woodruff	1
8	55494	Screw Assy - Sealing	2
9	55492	. Washer - Sealing	2
10	50671	Retainer - Breaker cover	1
11	50588A	Cover - Breaker box	1
12	65584	Gasket - Breaker box cover	1
13	102289	Screw - Hex hd 10-24 x 3/4	4
14	102189	Washer - #10	3
15	100251	Nut - Hex 8-32	1
16	100057	Lockwasher - #8	1
17	50381A	Insulator - Breaker terminal	1
18	103672	Screw - 8-32 x 1/2 (Sems)	1
19	50076A	Breaker Assy	1
20	103672	Screw - 8-32 x 1/2 (Sems)	1
21	50074	Condenser	1
22	50664	Felt - Breaker box	1
23	57126A	Cover Assy - Crankcase	1
24	50663	. Oil Seal	1
25	101326	. Nut - Hex 10-24	2
26	54184	. Wiper - Felt	1
27	51240	Gasket - Crankcase Cover	1
28	100824	Bearing - Ball	1
29		Delete	1
30	104815	Screw - 10-24 x 7/8 (Sems)	2
31	100352	Washer - #10	2

Item No.	Part Number	Description	Units Per Assy
32	51251	Lamination Assy	1
33	51253	Retainer - Coil	2
	57643A	Kit - Coil & Terminal Assy	1
34	101883	. Wire Assy - Ground	1
35	57648	. Wire - Spark plug	1
36	55060	. Boot	1
37	55061	. Connector	1
38	55617	. Nipple	1
39	57225	. Wire Assy - Primary	1
40	62831	Pin - Piston	1
41	47903	Connecting Rod Assy	1
42	60210A	. Screw - Skt hd 10-32 x 5/8	2
43	102742	. Roller - Needle	24
44	103879	Key - Woodruff	1
45	103746	Nut - Hex 3/8-24	1
46	50756A	Crankshaft	1
47	53927	Piston Assy	1
48	48691	. Ring Set	1
49	101206	. Bearing	1
50	104378	. Bearing (closed end)	1
51		Spark Plug - 14 mm	1
52	62481	Crankcase Assy	1
53	104128	. Oil Seal	1
54	104129	. Bearing - Needle	1
55	18556A	. Retainer - Nut	6
56	105394	. Nut - Hex 1/4-20	6
57	28053	. Retainer - Nut	2
58	101326	. Nut - Hex 10-24	2
59	110179	. Plug - Expansion	2
60	110034	. Insert - Taplok	1

## ACCESSORIES

Part Number	Description
53924	Piston Assy - 0.010 inch oversize
48692	. Ring Set - Piston 0.010 inch oversize
53925	Piston Assy - 0.020 inch oversize
48693	. Ring Set - Piston 0.020 inch oversize
53926	Piston Assy - 0.030 inch oversize
48694	. Ring Set - Piston 0.030 inch oversize
13639A	Clutch, Drum, Bearing and Sprocket Assy - 10 tooth
13638A	Clutch, Drum, Bearing and Sprocket Assy - 11 tooth
13637A	Clutch, Drum, Bearing and Sprocket Assy - 12 tooth
48736A	Drum, Bearing and Sprocket Assy - 10 tooth

Part Number	Description
48734A	Drum, Bearing and Sprocket Assy - 11 tooth
48714A	Drum, Bearing and Sprocket Assy - 12 tooth
48712A	Clutch Assy
48637	Sprocket - 10 tooth
48638	Sprocket - 11 tooth
48639	Sprocket - 12 tooth
47908	Kit - Muffler
68803	Kit - Air cleaner
48662	Kit - Engine mount stud
65712	Timing Guide
66150	Kit - Tuned exhaust (vertical)
66160	Kit - Tuned exhaust (horizontal)
68966	Manual - Kart
66793	Decal - Karts
66794	Emblem - Karts