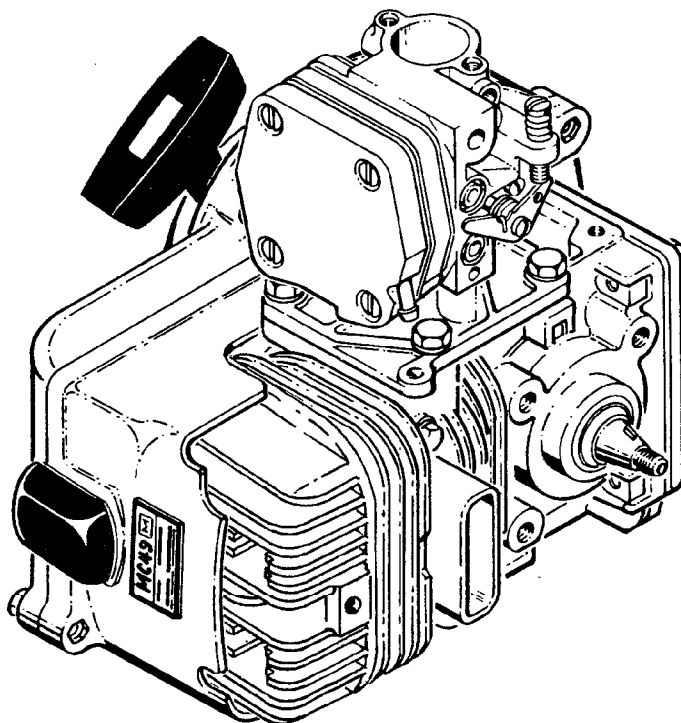


ILLUSTRATED PARTS LIST

MARCH 1966



The following pages contain an illustrated parts list for the MC-49 Kart Engine. Due to small differences between engines, it is important that the Serial Number of your Kart Engine be included whenever spare parts are ordered.

	Page
Figure 1. Engine Exploded View - General	2
Figure 2. Carburetor Assembly	4
Figure 3. Powerhead Assembly	6

McCULLOCH CORPORATION

6101 West Century Boulevard, Los Angeles, California 90045

Copyright 1966
McCulloch Corporation

No. 64564
Manufacturer's Suggested List Price - Fifty Cents

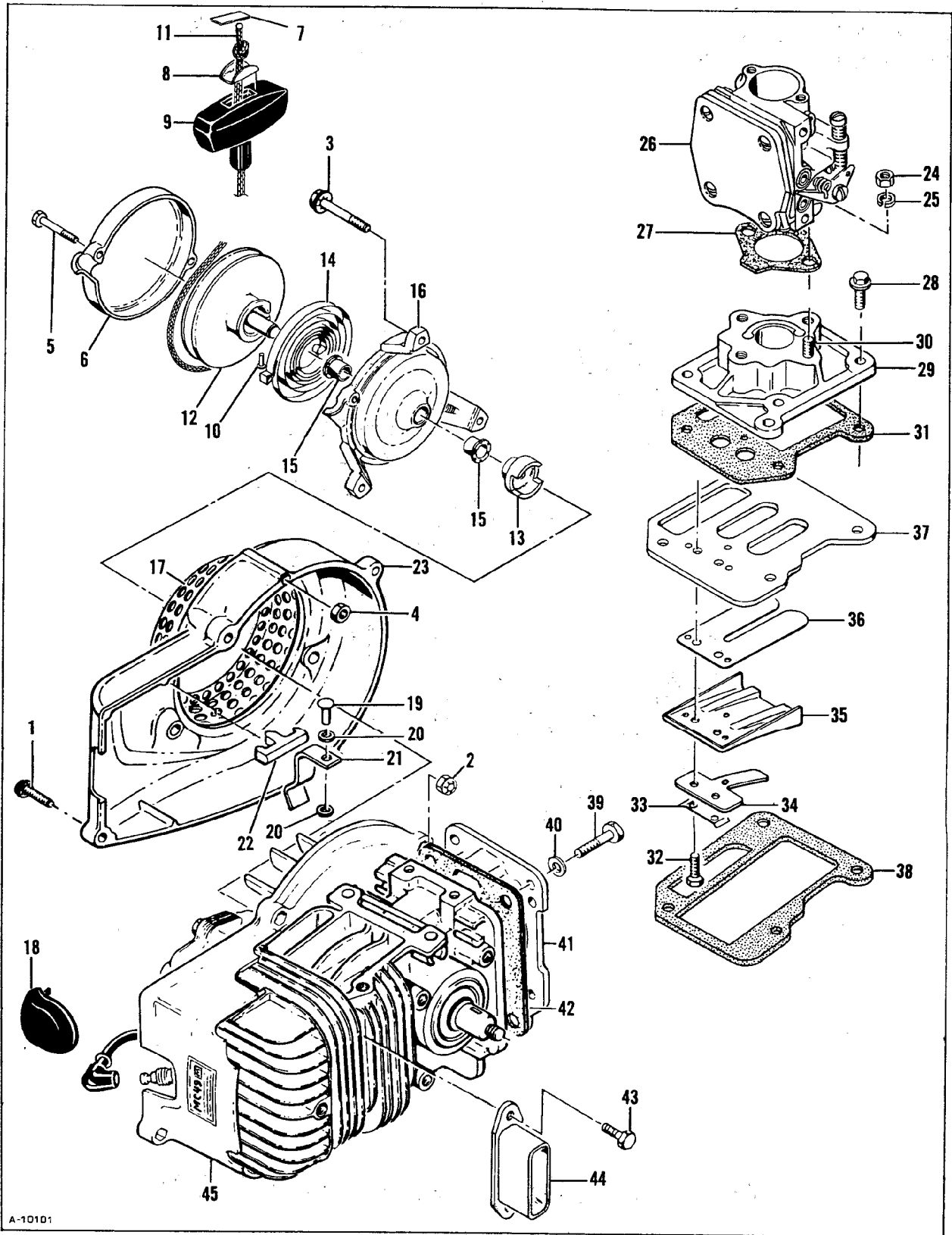


Figure 1. Engine Exploded View - General

FIGURE 1. ENGINE EXLODED VIEW — GENERAL

Index No.	Part Number	Nomenclature	Units Per Assy
1	104815	Screw - Hex hd 10-24 x 7/8 in. lg. (SEMS)	4
2	101326	Nut - Hex 10-24	2
3	104815	Screw - Hex hd 10-24 x 7/8 in. lg. (SEMS)	3
4	101191	Nut - Hex 10-24	3
	60130	Starter Assy.	1
5	104396	. Screw - Pan hd 10-24 x 3/4 in. lg.	2
6	60647	. Cover - Starter	1
7	57232	. Plate - Starter handle	1
8	57231	. Cup - Starter handle	1
9	57230	. Handle - Starter	1
10	101136	. Rivet - Rd hd 3/32 x 3/8	1
11	28716	. Rope - Starter	1
12	57792	. Drum - Starter	1
13	57790	. Ratchet - Starter	1
14	51665	. Spring - Starter rewind	1
15	57535	. Bushing - Starter base	2
16	60646	. Base - Starter	1
17	50581A	Guard	1
18	57565	Cover Assy - Spark plug	1
	57184B	Fan Housing Assy	1
19	103819	. Rivet - Oval hd 3/16 x 5/16	1
20	24236	. Washer - Special	2
21	50818	. Spring - Switch	1
22	50817	. Button - Switch	1
23		. Fan Housing (Order Fan Housing Assy #57184B)	1
24	100249	Nut - Hex 1/4-28	2
25	100153	Lockwasher - 1/4 in.	2
26	48890B	Carburetor Assy (See Figure 2)	1
27	51161E	Gasket - Carburetor	1
28	103947	Screw - Hex hd 10-24 x 1 in. lg.	4
29	48608C	Adapter Assy - Carburetor	1
30	48611	. Stud - Adapter	2
31	48604A	Gasket - Adapter	1
32	104476	Screw - Hex hd 8-32 x 5/16 in. lg.	2
33	51480	Lockplate	1
34	57658A	Clamp - Reed	1
35	57654A	Deflector - Fuel	1
36	58399	Valve - Reed	1
37	60218	Plate - Reed	1
38	62834	Insulator - Reed plate	1
39	101982	Screw - Hex hd 1/4-20 x 1 in. lg.	4
40	100311	Washer - Plain 1/4 in.	4
41	58139A	Cover - Crankcase bottom	1
42	48909A	Gasket - Bottom cover	1
43	104840	Screw - 10-24 x 3/4 in. lg.	2
44	50115	Pipe - Exhaust	1
45		Powerhead Assy (See Figure 3)	1

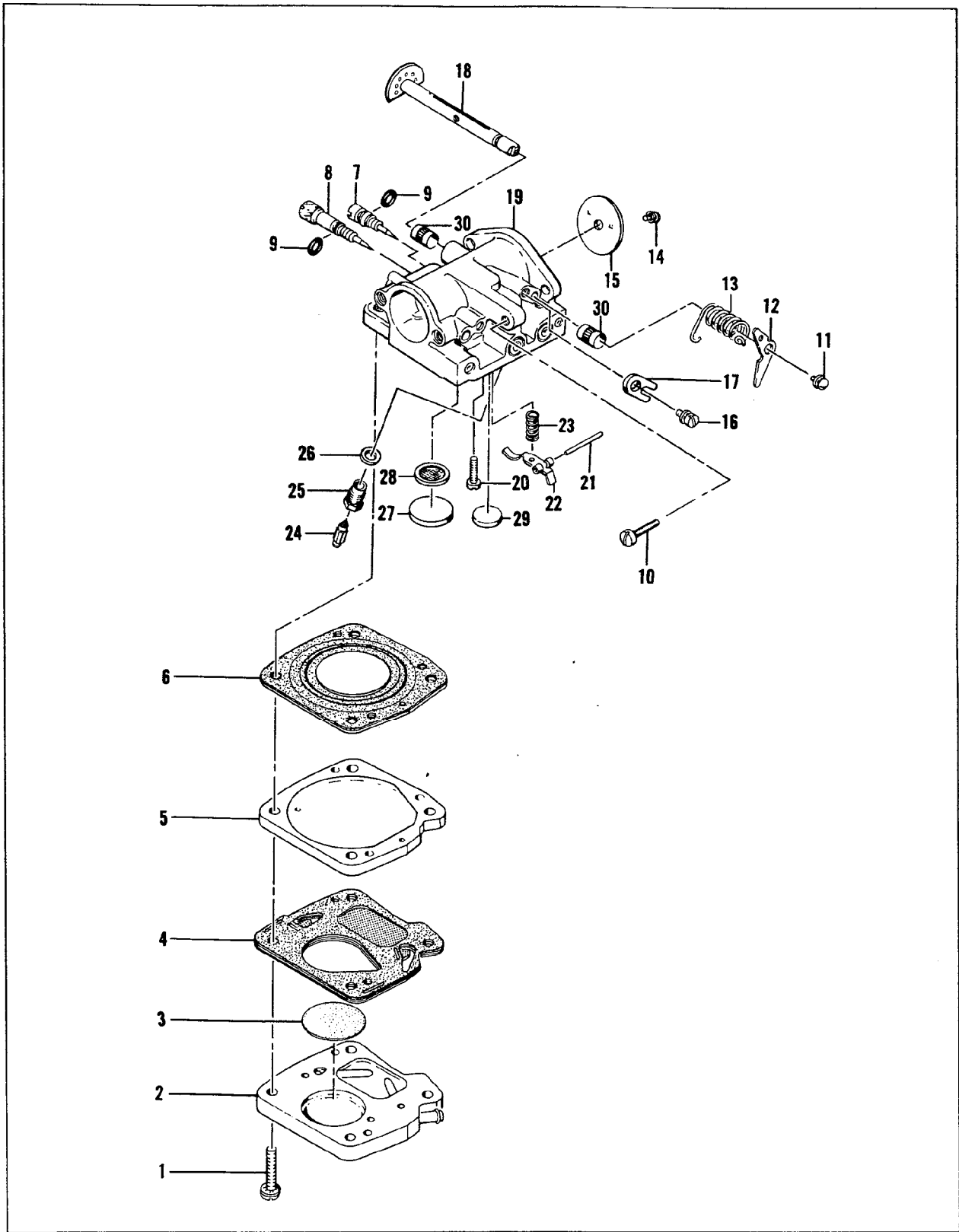


Figure 2. Carburetor Assembly

FIGURE 2. CARBURETOR ASSEMBLY

Index No.	Part Number	Nomenclature	Units Per Assy
	48890B	Carburetor Assy	1
1	104520	. Screw - Pan hd 10-24 x 7/8 in. lg. (SEMS)	4
2	48897	. Body Assy - Fuel pump	1
3	48911	. . Filter - Fuel pump	1
4	57274B	. Diaphragm - Fuel pump	1
5	48901	. Plate - Carburetor diaphragm	1
6	55067C	. Diaphragm	1
7	55090	. Needle - Idle adjusting	1
8	48810	. Needle - Main adjusting	1
9	104001	. "O" Ring	2
10	62910	. Screw - Idle	1
11	104814	. Screw - Pan hd 4-40 x 1/4 in. lg. (SEMS)	1
12	50701A	. Arm - Throttle shaft	1
13	48820	. Spring - Throttle return	1
14	104814	. Screw - Pan hd 4-40 x 1/4 in. lg. (SEMS)	1
15	55085	. Plate - Throttle	1
16	110055	. Screw - Fil hd 5-32 x 3/8 in. lg. (SEMS)	1
17	55082	. Clip - Throttle shaft	1
18	48818A	. Shaft Assy - Throttle	1
19	48907B	. Carburetor Body Assy	1
20	104164	. . Screw - Pan hd 4-40 x 1/4 in. lg.	1
21	104305	. . Pin - Inlet lever	1
22	55688	. . Lever - Inlet control	1
23	57172	. . Spring - Inlet lever	1
	60163A	. . Set - Body and valve	1
24	63038	. . . Valve - Needle	1
25	58969	. . . Body - Valve	1
26	55689	. . . Washer - Valve	1
27	104407	. . Plug - Expansion 1 inch	1
28	55690B	. . Seal - Capillary.	1
29	102758	. . Plug - Expansion 1/2 inch	1
30	55062A	. . Bushing - Carburetor body	2

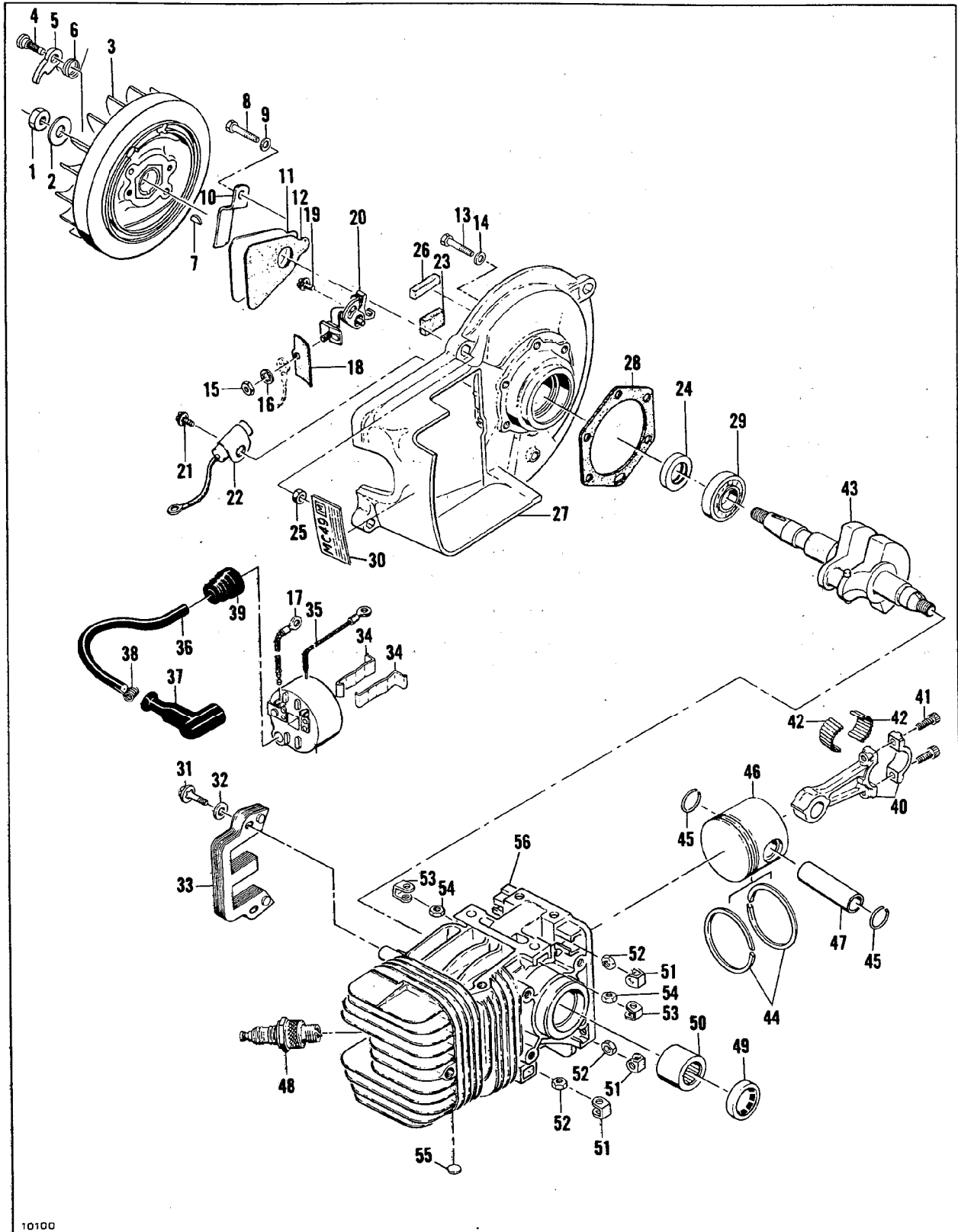


Figure 3. Powerhead Assembly

FIGURE 3. POWERHEAD ASSEMBLY

Index No.	Part Number	Nomenclature	Units Per Assy
1	101179	Nut - Hex 7/16-20	1
2	101270	Washer - Plain 7/16 in.	1
3	58274B	Flywheel and Pawl Assy	1
4	36144B	. Pin - Starter pawl	2
5	24093	. Pawl - Starter	2
6	50582	. Spring - Pawl	2
7	103879	Key - Woodruff	1
8	55494	Screw Assy - Sealing	2
9	55492	. Washer - Sealing	2
10	50671	Retainer - Breaker cover	1
11	50588A	Cover - Breaker box	1
12	50589A	Gasket - Breaker box cover	1
13	102289	Screw - Hex hd 10-24 x 3/4 in. lg.	4
14	102189	Washer - Plain #10	3
15	100251	Nut - Hex 8-32	1
16	100057	Lockwasher - #8	1
17	57225	Wire Assy - Primary	1
18	50381A	Insulator - Breaker terminal	1
19	103672	Screw - 8-32 x 1/2 in. lg. (SEMS)	1
20	50076A	Breaker Assy	1
21	103672	Screw - 8-32 x 1/2 in. lg. (SEMS)	1
22	50074	Condenser	1
23	50664	Felt - Breaker box	1
	57126A	Cover Assy - Crankcase	1
24	50663	. Oil Seal	1
25	101326	. Nut - Hex 10-24	2
26	54184	. Wiper - Felt	1
27		. Cover - Crankcase (Order Crankcase Cover Assy #57126A)	1
28	51240	Gasket - Crankcase cover	1
29	100824	Bearing - Ball	1
30	64573	Nameplate	1
31	104815	Screw - 10-24 x 7/8 in. lg. (SEMS)	2
32	102189	Washer - Plain #10	2
33	51251	Lamination Assy	1
34	51253	Retainer - Coil	2
	55949A	Coil and Terminal Assy	1
35	101883	. Wire Assy - Ground	1
36	52547	. Wire Assy - Spark plug	1
37	55060	. . Boot	1
38	55061	. . Connector	1
39	55617	. Nipple	1
40	47903	Connecting Rod Assy	1
41	60210A	. Screw - Skt hd 10-32 x 5/8 in. lg.	2
42	102742	. Roller - Needle	24
43	50756A	Crankshaft	1
	50206	Piston Assy - Standard	1
44	55123	. Ring Set - Standard	1
45	50133	. Ring - Retaining	2
46		. Piston (Order Piston Assy #50206)	1
47	50207A	Pin - Piston	1
48		Spark Plug - 14 mm.	1
	52886A	Crankcase Assy	1
49	104128	. Oil Seal	1
50	104129	. Bearing - Needle	1
51	18556A	. Retainer - Nut	6
52	103242	. Nut - Hex 1/4-20	6
53	28053	. Retainer - Nut	2
54	101191	. Nut - Hex 10-24	2
55	110179	. Plug - Expansion	2
56		. Crankcase (Order Crankcase Assy #52886A)	1

OVERSIZE PISTON ASSEMBLIES AND ACCESSORIES

Part Number	Nomenclature
50124	Piston Assy - 0.020-inch oversize
55125	. Ring Set - Piston 0.020-inch oversize
13639A	Clutch, Drum, Bearing and Sprocket Assy - 10 tooth
13638A	Clutch, Drum, Bearing and Sprocket Assy - 11 tooth
13637A	Clutch, Drum, Bearing and Sprocket Assy - 12 tooth
48736A	Drum, Bearing and Sprocket Assy - 10 tooth
104460	. Bearing - Clutch drum
48737	. Spacer - Sprocket
48734A	Drum, Bearing and Sprocket Assy - 11 tooth
48714A	Drum, Bearing and Sprocket Assy - 12 tooth
48712A	Clutch Assy
48637	Sprocket - 10 tooth
48638	Sprocket - 11 tooth
48639	Sprocket - 12 tooth
13553	Header - Exhaust
13598	Stack - Intake
48711D	Kit - Starter
48663	Kit - Starter pawl
14317	Kit - Muffler
13178A	Kit - Engine mounting
48643A	Kit - Air cleaner