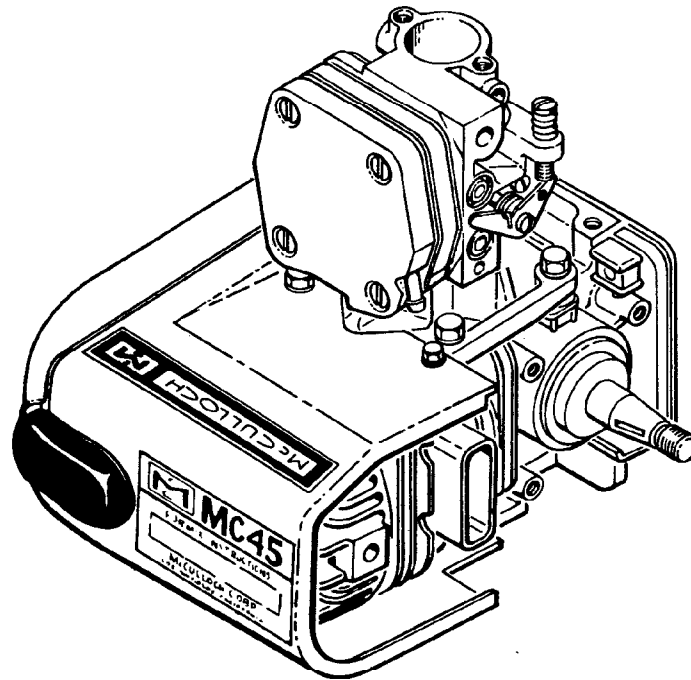


ILLUSTRATED PARTS LIST

JANUARY 1964



The following pages contain an illustrated parts list for the MC45 Kart Engine. Due to small differences between engines, it is important that the Serial Number of your Kart Engine be included whenever spare parts are ordered. This will assure receiving the proper parts from your dealer.

The McCulloch Corporation reserves the right to modify or change specifications without (1) prior notification or (2) obligation to back-fit or supply back-fit components for units previously shipped from the factory.

	Page
Figure 1. Engine Assembly, Model MC45 Engine	2
Figure 2. McCulloch Carburetor Assembly	4
Figure 3. Powerhead Assembly	6



MCCULLOCH CORPORATION
 8101 West Century Boulevard,
 Los Angeles 45, California

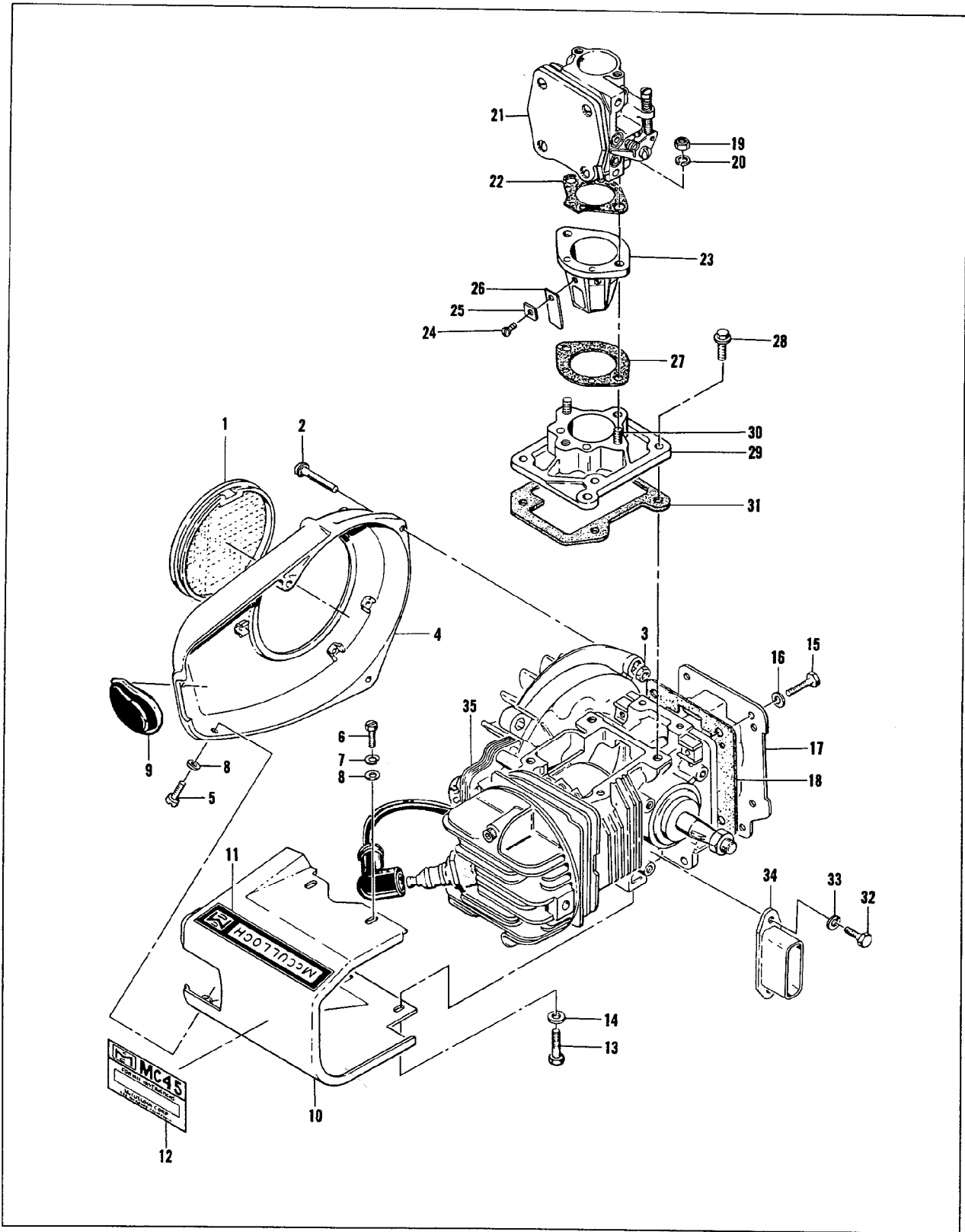


Figure 1. Engine Assembly, Model MC45 Engine

FIGURE 1. ENGINE ASSEMBLY, MODEL MC45 ENGINE

Index No.	Part Number	Nomenclature	Units Per Assy
1	55615	Guard	1
2	104816	Screw - 10-24 x 1-1/4 in. lg. (SEMS)	3
3	101191	Nut - Hex 10-24	2
4	48864	Housing - Fan	1
5	102500	Screw - Pan hd 10-24 x 1/2 in. lg.	1
6	102762	Screw - Hex hd 10-24 x 1/2 in. lg.	1
7	101194	Washer - Lock	3
8	100002	Washer - Plain #10	2
9	48936	Cover Assy - Spark plug	1
10	47904	Shroud - Cylinder	1
11	48588	. Nameplate	1
12	47882	Nameplate	1
13	100732	Screw - Hex hd 1/4-20 x 5/8 in. lg.	2
14	100005	Washer - Plain 1/4 in.	2
15	101982	Screw - Hex hd 1/4-20 x 1 in. lg.	4
16	100311	Washer - Plain 1/4 in.	4
17	58139A	Cover - Crankcase bottom	1
18	48909A	Gasket - Crankcase bottom cover	1
19	100249	Nut - Hex 1/4-28	2
20	100153	Washer - Lock 1/4 in.	2
21		Carburetor Assy (see figure 2)	1
22	51161D	Gasket - Carburetor	1
23	47843	Valve Assy - Pyramid reed	1
24	47907	. Screw - Bind hd 4-40 x 1/8 in. lg.	6
25	47846	. Plate - Clamp	6
26	47845	. Valve - Reed	6
27	47869	Gasket - Reed valve	1
28	104815	Screw - Hex hd 10-24 x 7/8 in. lg. (SEMS)	4
29	47866	Adapter Assy - Carburetor	1
30	47868	. Stud - Adapter	2
31	47870	Gasket - Carburetor adapter	1
32	102388	Screw - Hex hd 10-24 x 5/8 in. lg.	2
33	103100	Washer - Lock	2
34	48609	Header - Exhaust	1
35		Powerhead Assy (see figure 3)	1

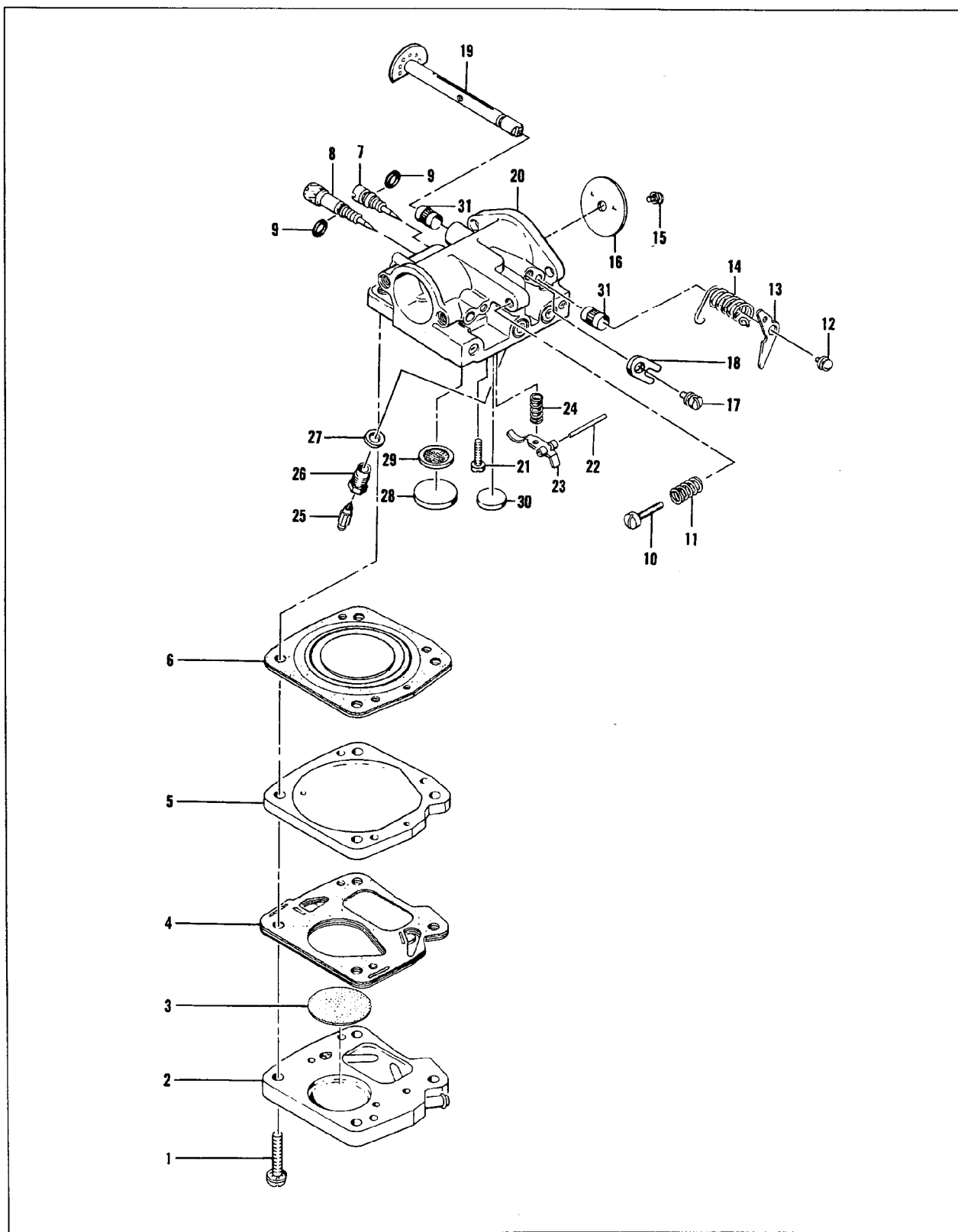


Figure 2. McCulloch Carburetor Assembly

FIGURE 2. McCULLOCH CARBURETOR ASSEMBLY

Index No.	Part Number	Nomenclature	Units Per Assy
	48890B	Carburetor Assy	1
1	104520	. Screw - Pan hd 10-24 x 7/8 in. lg. (SEMS)	4
2	48897	. Body Assy - Fuel pump	1
3	48911	. . Filter - Fuel pump	1
4	57274A	. Diaphragm - Fuel pump	1
5	48901	. Plate - Diaphragm	1
6	55067C	. Diaphragm - carburetor	1
7	55090	. Needle - Idle adjusting	1
8	48810	. Needle - Main adjusting	1
9	104001	. "O" Ring	2
10	55397	. Screw - Idle speed	1
11	51705	. Spring - Idle speed screw	1
12	104814	. Screw - Pan hd 4-40 x 1/4 in. lg. (SEMS)	1
13	50701A	. Arm - Throttle shaft	1
14	48820	. Spring - Throttle return	1
15	104814	. Screw - Pan hd 4-40 x 1/4 in. lg. (SEMS)	1
16	55085	. Plate - Throttle	1
17	110055	. Screw - Fil hd 8-32 x 3/8 in. lg. (SEMS)	1
18	55082	. Clip - Shaft	1
19	48818A	. Shaft Assy - Throttle	1
20	48907B	. Body Assy - Carburetor	1
21	104164	. . Screw - Pan hd 4-40 x 1/4 in. lg.	1
22	104305	. . Pin - Inlet lever	1
23	55688	. . Lever - Inlet control	1
24	57172	. . Spring - Inlet control	1
25	59710	. . Valve - Needle	1
26	58969	. . Body - Needle valve	1
27	55689	. . Washer - Valve	1
28	104407	. . Plug - Expansion 1 in.	1
29	55690B	. . Seal - Capillary	1
30	102758	. . Plug - Expansion 1/2 in.	1
31	55062A	. . Bushing - Body	2

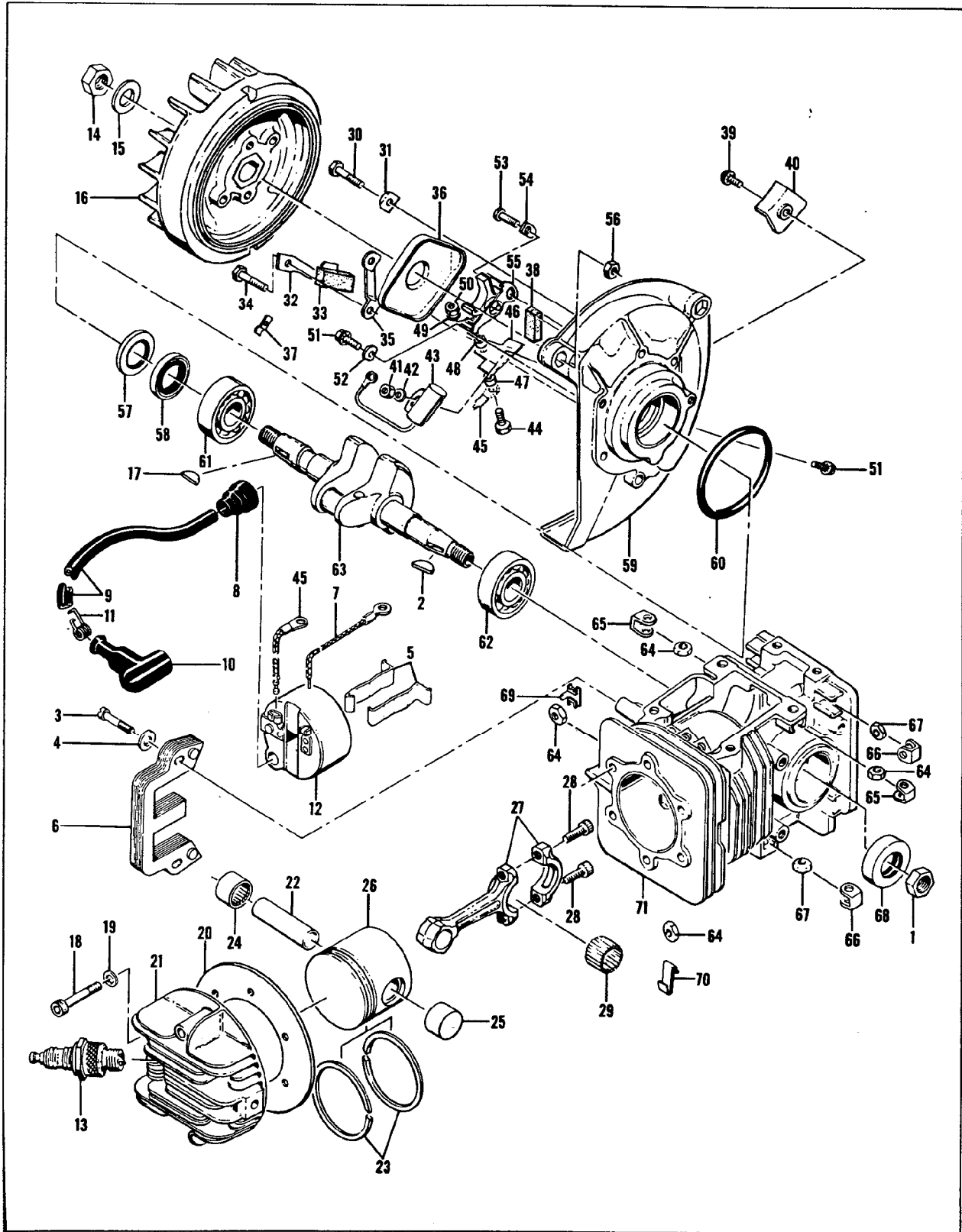


Figure 3. Powerhead Assembly

FIGURE 3. POWERHEAD ASSEMBLY

Index No.	Part Number	Nomenclature	Units Per Assy
1	103746	Nut - Hex 3/8 - 24	1
2	103879	Key - Woodruff	1
3	101965	Screw - Fil hd 10-24 x 7/8 in. lg. (SEMS)	2
4	100003	Washer - Plain #10	2
5	51253	Retainer - Coil	2
6	51251	Lamination Assy - Coil	1
	55949A	Coil and Terminal Assy.	1
7	101883	. Wire Assy - Ground	1
8	55617	. Nipple - Spark plug wire	1
9	52547	. Wire Assy - Spark plug	1
10	55060	. Boot - Spark plug	1
11	55061	. Connector - Spark plug wire	1
12		. Coil Assy (Order Coil and Terminal Assy #55949A)	1
13		Spark Plug - 14mm	1
14	101179	Nut - Hex 7/16 - 20	1
15	101270	Washer - Plain 7/16 in.	1
16	47880	Flywheel Assy.	1
17	103879	Key - Woodruff	1
18	104534	Screw - Skt hd 10-24 x 1-13/32 in. lg.	6
19	24236	Washer - Special	6
20	47835	Gasket - Cylinder head	1
21	48903A	Head - Cylinder	1
22	58132	Pin - Piston	1
	47765	Piston Assy - Standard size	1
23	47767	. Ring Set - Piston standard size	1
24	101206	. Bearing - Needle	1
25	104378	. Bearing - Needle (closed end)	1
26		. Piston (Order Piston Assy #47765)	1
27	47903	Connecting Rod Assy	1
28	60210	. Screw - Skt hd 10-32 x 5/8 in. lg.	2
29	102742	. Roller - Needle	24
30	102763	Screw - Hex hd 10-24 x 3/4 in. lg.	2
31	36388	Plate - Lock	1
32	57815	Strap - Seal	1
33	50664	Seal - Breaker box drain	1
34	102763	Screw - Hex hd 10-24 x 3/4 in. lg.	4
35	55977	Clip - Breaker box cover	2
36	55766B	Cover and Gasket Assy - Breaker box	1
37	104230	Speednut	1
38	54184	Wiper - Felt	1
39	110055	Screw - Fil hd 8-32 x 3/8 in. lg. (SEMS)	1
40	57829	Clamp - Ignition wire	1
41	100955	Nut - Hex 8-32	1
42	100080	Washer - Plain #8	1
43	50074	Condenser	1
44	103748	Screw - Hex hd 8-32 x 1/2 in. lg.	1
45	57766	Wire Assy - Primary	1
46	55782	Insulator	1
47	57769	Insulator - Ignition screw	1
48	57770A	Insulator - Breaker spring	1
49	104553	Washer - Lock #8	1
50	104551	Nut - Hex 8-32	1
51	104733	Screw - Fil hd 8-32 x 1/2 in. lg. (SEMS)	2
52	55778C	Washer - Special	1
53	104733	Screw - Fil hd 8-32 x 1/2 in. lg. (SEMS)	1
54	57767A	Lockplate	1
55	57765A	Breaker Assy	1
	57827	Cover Assy - Crankcase	1
56	101326	. Nut - Hex 10-24	1
57	57898	. Seal - Oil	1
58	57897	. Seal - Oil	1

47895
1-64 ①

This list is continued on page 8

FIGURE 3. POWERHEAD ASSEMBLY

Index No.	Part Number	Nomenclature	Units Per Assy
59		Cover - Crankcase (Order Crankcase Cover Assy #57827)	1
60	104523	"O" Ring	1
61	100824	Bearing - Ball	1
62	104490	Bearing - Ball	1
63	58128	Crankshaft	1
	47878	Crankcase Assy - Cylinder	1
64	101326	Nut - Hex 10-24	8
65	28053	Retainer - Nut	2
66	18556A	Retainer - Nut	6
67	101143	Nut - Hex 1/4-20	6
68	104486	Seal - Oil	1
69	104255	Retainer - Nut	2
70	57063	Retainer - Nut	4
71		Crankcase - Cylinder (Order Cylinder Crankcase Assy #47878) . . .	1

OVERSIZE PISTON ASSEMBLY AND ACCESSORIES

Part Number	Nomenclature
47766	Piston Assy - 0.010-inch oversize
47768	Ring Set - Piston 0.010-inch oversize
13639A	Clutch, Drum, Bearing and Sprocket Assy - 10 tooth
13638A	Clutch, Drum, Bearing and Sprocket Assy - 11 tooth
13637A	Clutch, Drum, Bearing and Sprocket Assy - 12 tooth
48736A	Drum, Bearing and Sprocket Assy - 10 tooth
48734A	Drum, Bearing and Sprocket Assy - 11 tooth
48714A	Drum, Bearing and Sprocket Assy - 12 tooth
104460	Bearing - Clutch drum
48737	Spacer - Sprocket
48637	Sprocket - 10 tooth
48638	Sprocket - 11 tooth
48639	Sprocket - 12 tooth
48712A	Clutch Assy
48645	Header - Exhaust (Tuned)
14317	Kit - Muffler
48711D	Kit - Starter
48663	Kit - Starter pawl
13178A	Kit - Engine mounting
13598	Stack - Intake