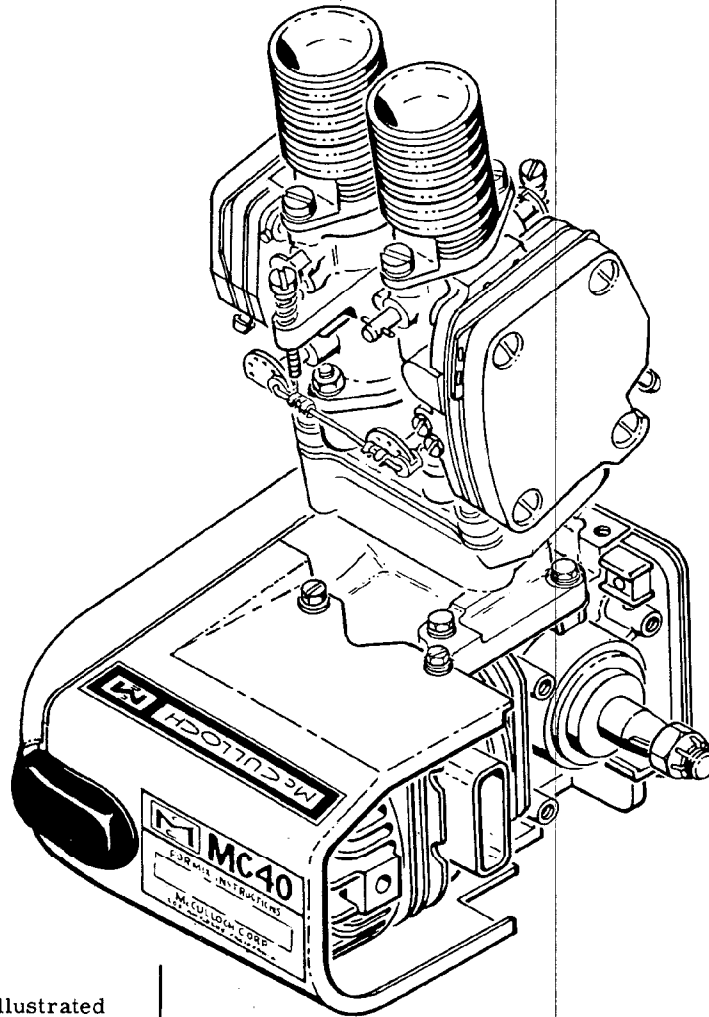


# ILLUSTRATED PARTS LIST

FEBRUARY 1963



The following pages contain an illustrated parts list for the MC40 Kart Engine. Due to small differences between engines, it is important that the Serial Number of your Kart Engine be included whenever spare parts are ordered. This will assure receiving the proper parts from your dealer.

The McCulloch Corporation reserves the right to modify or change specifications without (1) prior notification or (2) obligation to back-fit or supply back-fit components for units previously shipped from the factory.

|  | Page |
|--|------|
| Figure 1. Engine Assembly, Model MC40 Engine ..... | 2    |
| Figure 2. McCulloch Carburetor Assemblies .....    | 4    |
| Figure 3. Powerhead Assembly .....                 | 6    |



**McCULLOCH CORPORATION**  
 6101 West Century Boulevard,  
 Los Angeles 45, California

COPYRIGHT — 1963  
 McCULLOCH CORPORATION

NO. 47769

MANUFACTURER'S SUGGESTED LIST PRICE — 50 CENTS

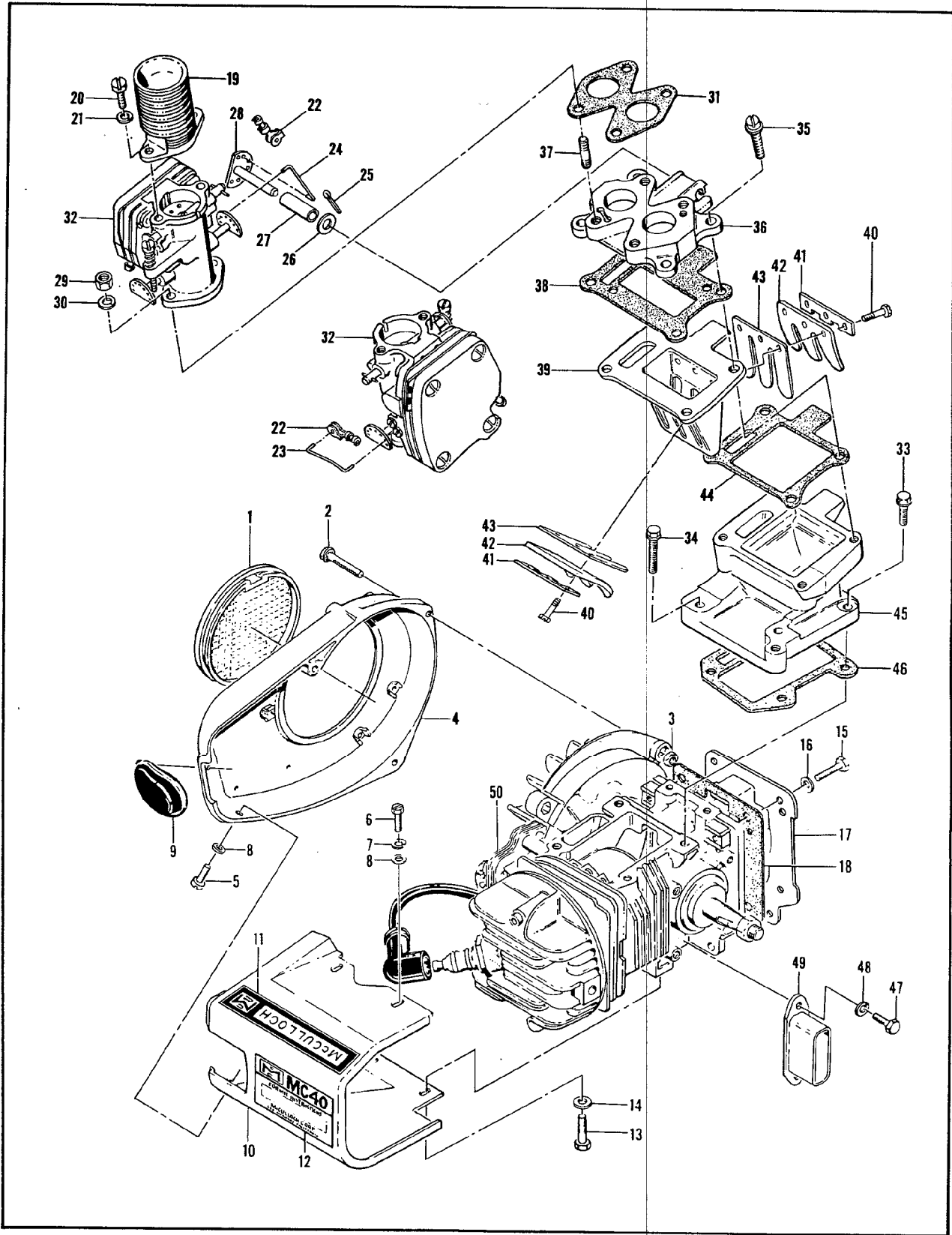


Figure 1. Engine Assembly, Model MC40 Engine

FIGURE 1. ENGINE ASSEMBLY, MODEL MC40 ENGINE

| Index No. | Part Number | Nomenclature                                     | Units Per Assy |
|-----------|-------------|--|----------------|
| 1         | 55615       | Guard .....                                      | 1              |
| 2         | 104816      | Screw - 10-24 x 1-1/4 in. lg (SEMS) .....        | 3              |
| 3         | 101191      | Nut - Hex 10-24 .....                            | 2              |
| 4         | 48864       | Housing - Fan .....                              | 1              |
| 5         | 102500      | Screw - Pan hd 10-24 x 1/2 in. lg .....          | 1              |
| 6         | 102762      | Screw - Hex hd 10-24 x 1/2 in. lg .....          | 1              |
| 7         | 101194      | Washer - Lock .....                              | 3              |
| 8         | 100002      | Washer - No. 10 .....                            | 2              |
| 9         | 48936       | Cover Assembly - Spark plug .....                | 1              |
| 10        | 47738       | Shroud - Cylinder .....                          | 1              |
| 11        | 48588       | . Nameplate .....                                | 1              |
| 12        | 47753       | . Nameplate .....                                | 1              |
| 13        | 100732      | Screw - Hex hd 1/4-20 x 5/8 in. lg .....         | 2              |
| 14        | 100005      | Washer .....                                     | 2              |
| 15        | 101982      | Screw - Hex hd 1/4-20 x 1 in. lg .....           | 4              |
| 16        | 100311      | Washer .....                                     | 4              |
| 17        | 58139A      | Bottom - Crankcase .....                         | 1              |
| 18        | 48909A      | Gasket - Crankcase bottom .....                  | 1              |
| 19        | 13598       | Stack Assy .....                                 | 2              |
| 20        | 100050      | . Screw - Fil hd 10-32 x 3/8 in. lg .....        | 2              |
| 21        | 100240      | . Lockwasher - #10 .....                         | 2              |
| 22        | 59159       | Clip .....                                       | 2              |
| 23        | 47793       | Rod - Throttle link .....                        | 1              |
| 24        | 47794       | Rod - Throttle connecting .....                  | 1              |
| 25        | 105595      | Pin - Cotter .....                               | 1              |
| 26        | 110106      | Washer .....                                     | 1              |
| 27        | 47792       | Bushing .....                                    | 1              |
| 28        | 47789       | Shaft Assy - Throttle .....                      | 1              |
| 29        | 100249      | Nut - Hex 1/4-28 .....                           | 4              |
| 30        | 100153      | Washer - Lock 1/4 in. .....                      | 4              |
| 31        | 47787       | Gasket - Dual carburetor .....                   | 1              |
| 32        |             | Carburetor Assemblies (see figure 2) .....       | 1              |
| 33        | 103464      | Screw - Hex hd 10-24 x 3/4 in. lg (SEMS) .....   | 2              |
| 34        | 102290      | Screw - Hex hd 10-24 x 1-1/8 in. lg (SEMS) ..... | 2              |
|           | 47732       | Manifold and Reed Assy .....                     | 1              |
| 35        | 103464      | . Screw - 10-24 x 3/4 in. lg (SEMS) .....        | 4              |
| 36        | 47733       | . Adapter Assy - Carburetor .....                | 1              |
| 37        | 48611       | . Stud - Carburetor .....                        | 4              |
| 38        | 47774       | . Gasket - Adapter-to-block .....                | 1              |
| 39        | 47731       | . Block Assy - Reed valve .....                  | 1              |
| 40        | 104476      | . . Screw - Hex hd 8-32 x 5/16 in. lg .....      | 4              |
| 41        | 47770       | . . Plate - Lock .....                           | 2              |
| 42        | 47773       | . . Guard - Reed valve .....                     | 2              |
| 43        | 47771       | . . Valve - Reed .....                           | 2              |
| 44        | 47772       | Gasket - Block-to-manifold .....                 | 1              |
| 45        | 47777       | Body - Manifold .....                            | 1              |
| 46        | 48516       | Gasket - Manifold-to-crankcase .....             | 1              |
| 47        | 102388      | Screw - Hex hd 10-24 x 5/8 in. lg .....          | 2              |
| 48        | 103100      | Washer - Lock .....                              | 2              |
| 49        | 48609       | Header - Exhaust .....                           | 1              |
| 50        |             | Powerhead Assy (see figure 3) .....              | 1              |

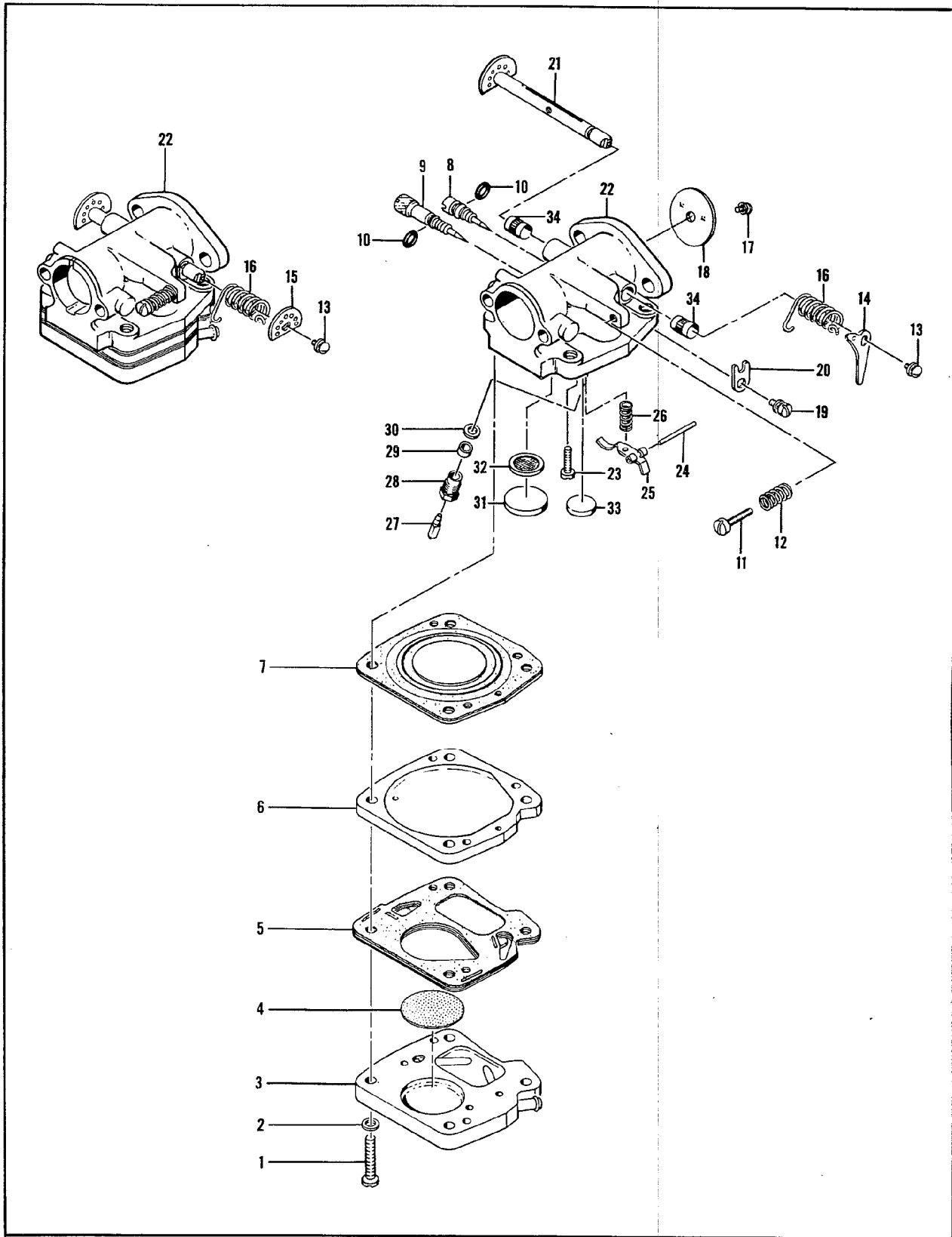


Figure 2. McCulloch Carburetor Assemblies

FIGURE 2. McCULLOCH CARBURETOR ASSEMBLY

| Index No.                          | Part Number | Nomenclature                                    | Units Per Assy | Used On Code |
|------------------------------------|-------------|---|----------------|--------------|
| CODE                               |             |   |                |              |
| "A" used on 48890A Carburetor Assy |             |   |                |              |
| "B" used on 47821 Carburetor Assy  |             |   |                |              |
|                                    | *48890A     | McCulloch Carburetor Assy .....                 | 1              |              |
|                                    | *47821      | McCulloch Carburetor Assy .....                 | 1              |              |
| 1                                  | 104520      | . Screw - Pan hd 10-24 x 7/8 in. lg .....       | 4              | AB           |
| 2                                  | 102189      | . Washer - Plain #10 .....                      | 4              | AB           |
| 3                                  | 48897       | . Body Assy - Fuel pump .....                   | 1              | AB           |
| 4                                  | 48911       | . Filter - Fuel pump .....                      | 1              | AB           |
| 5                                  | 57274A      | . Diaphragm - Fuel pump .....                   | 1              | AB           |
| 6                                  | 48901       | . Plate - Carburetor diaphragm .....            | 1              | AB           |
| 7                                  | 55067C      | . Diaphragm .....                               | 1              | AB           |
| 8                                  | 55090       | . Needle - Metering .....                       | 1              | AB           |
| 9                                  | 48810       | . Needle - Metering main .....                  | 1              | AB           |
| 10                                 | 104001      | . "O" Ring .....                                | 2              | AB           |
| 11                                 | 55397       | . Screw - Idle .....                            | 1              | AB           |
| 12                                 | 51705       | . Spring - Idle screw .....                     | 1              | AB           |
| 13                                 | 104814      | . Screw - Pan hd 4-40 x 1/4 in. lg (SEMS) ..... | 1              | AB           |
| 14                                 | 50701A      | . Arm - Throttle shaft .....                    | 1              | A            |
| 15                                 | 47788       | . Plate .....                                   | 1              | B            |
| 16                                 | 48820       | . Spring - Throttle return .....                | 1              | AB           |
| 17                                 | 104814      | . Screw - Pan hd 4-40 x 1/4 in. lg (SEMS) ..... | 1              | AB           |
| 18                                 | 55085       | . Plate - Throttle .....                        | 1              | AB           |
| 19                                 | 110055      | . Screw - Fil hd 8-32 x 3/8 in. lg (SEMS) ..... | 1              | AB           |
| 20                                 | 55082       | . Clip - Throttle shaft .....                   | 1              | AB           |
| 21                                 | 48818A      | . Shaft - Throttle assy .....                   | 1              | AB           |
| 22                                 | 48907A      | . Carburetor Body Assy .....                    | 1              | AB           |
| 23                                 | 104164      | . Screw - Pan hd 4-40 x 1/4 in. lg .....        | 1              | AB           |
| 24                                 | 104305      | . Pin - Inlet lever .....                       | 1              | AB           |
| 25                                 | 55688       | . Lever - Inlet control .....                   | 1              | AB           |
| 26                                 | 57172       | . Spring - Inlet lever .....                    | 1              | AB           |
| 27                                 | 55476A      | . Valve - Needle .....                          | 1              | AB           |
| 28                                 | 55475       | . Body - Needle .....                           | 1              | AB           |
| 29                                 | 59480       | . Seat - Needle .....                           | 1              | AB           |
| 30                                 | 55689       | . Washer - Valve .....                          | 1              | AB           |
| 31                                 | 104407      | . Plug - Expansion .....                        | 1              | AB           |
| 32                                 | 55690B      | . Seal - Capillary .....                        | 1              | AB           |
| 33                                 | 102758      | . Plug - Expansion .....                        | 1              | AB           |
| 34                                 | 55062A      | . Bushing - Carburetor body .....               | 2              | AB           |

\*Note: Carburetors are alike except for index numbers 14 and 15.

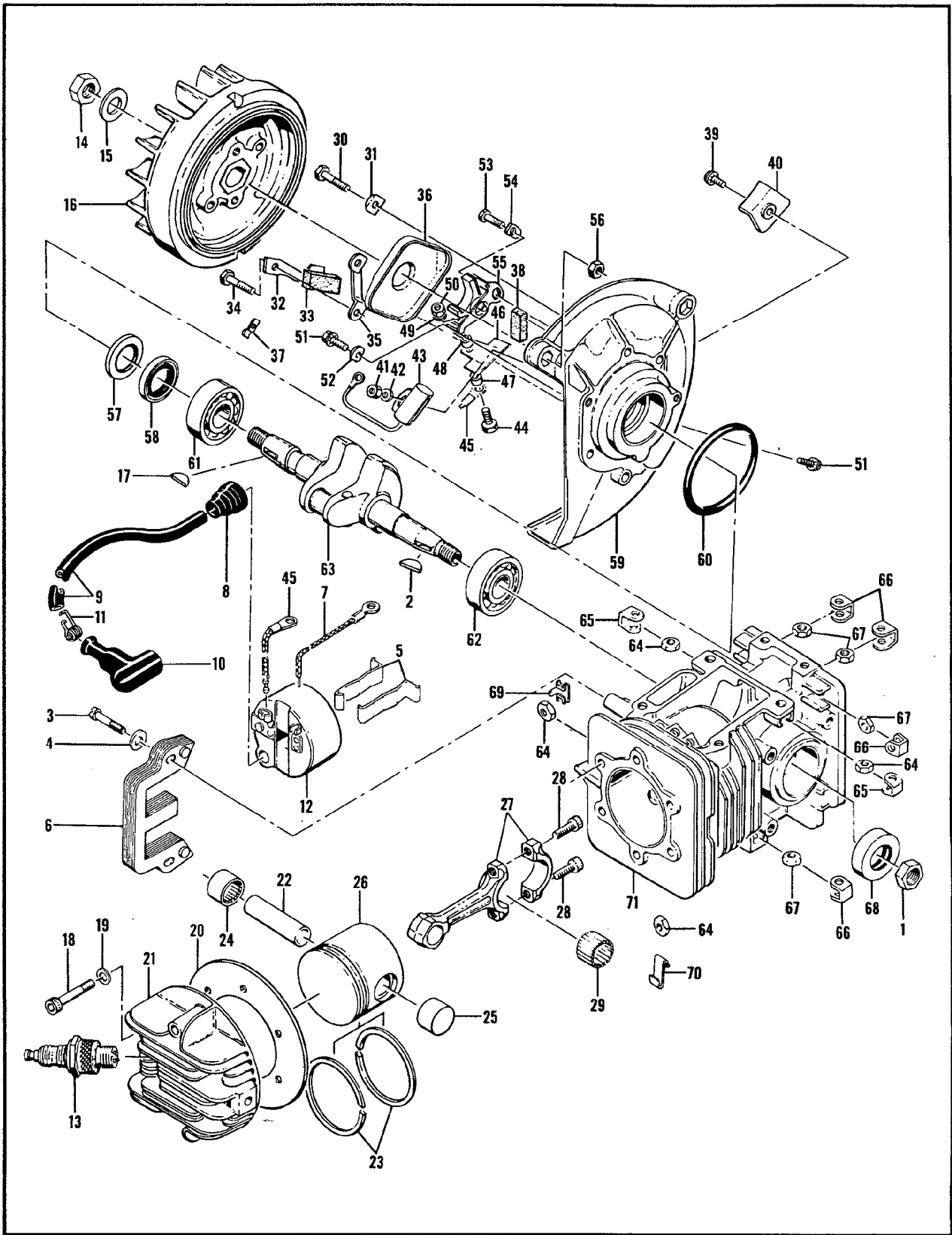


Figure 3. Powerhead Assembly

FIGURE 3 POWERHEAD ASSEMBLY

| Index No. | Part Number             | Nomenclature                                       | Units Per Assy |
|-----------|-------------------------|--|----------------|
| 1         | 103746                  | Nut - Hex 3/8-24                                   | 1              |
| 2         | 103879                  | Key - Woodruff                                     | 1              |
| 3         | 101965                  | Screw - Fil hd 10-24 x 7/8 in. lg                  | 2              |
| 4         | 100003                  | Washer   | 2              |
| 5         | 51253                   | Retainer - Coil                                    | 2              |
| 6         | 51251                   | Lamination Assy - Coil                             | 1              |
|           | 55949A                  | Coil and Terminal Assy                             | 1              |
| 7         | 101883                  | . Wire Assy - Ground                               | 1              |
| 8         | 55617                   | . Nipple - Spark plug wire                         | 1              |
| 9         | 52547                   | . Wire Assy - Spark plug                           | 1              |
| 10        | 55060                   | . Boot - Spark plug                                | 1              |
| 11        | 55061                   | . Connector - Spark plug wire                      | 1              |
| 12        |                         | . Coil Assy (Order Coil and Terminal Assy #55949A) | 1              |
| 13        |                         | Spark Plug - 14mm                                  | 1              |
| 14        | 101179                  | Nut - Hex 7/16                                     | 1              |
| 15        | 101270                  | Washer - Special                                   | 1              |
| 16        | 48785A                  | Flywheel Assy                                      | 1              |
| 17        | 103879                  | Key - Woodruff                                     | 1              |
| 18        | 104534                  | Screw - Socket hd 10-24 x 1-13/32 in. lg           | 6              |
| 19        | 24236                   | Washer   | 6              |
| 20        | <del>48785A</del> 47835 | Gasket - Cylinder head 47835 NEW NUMBER            | 1              |
| 21        | 48903                   | Head - Cylinder                                    | 1              |
| 22        | 58132                   | Pin - Piston                                       | 1              |
|           | 47765                   | Piston Assy - Standard size                        | 1              |
| 23        | 47767                   | . Ring Set - Piston standard size                  | 1              |
| 24        | 101206                  | . Bearing - Needle                                 | 1              |
| 25        | 104378                  | . Bearing - Needle (closed end)                    | 1              |
| 26        |                         | . Piston (Order Piston Assy #47765)                | 1              |
| 27        | 47782                   | Connecting Rod Assy                                | 1              |
| 28        | 101356                  | . Screw - Socket hd 10-32 x 5/8 in. lg             | 2              |
| 29        | 102742                  | . Roller - Needle                                  | 24             |
| 30        | 102763                  | Screw - Hex hd 10-24 x 3/4 in. lg                  | 2              |
| 31        | 36388                   | Plate - Lock                                       | 2              |
| 32        | 57815                   | Strap - Seal                                       | 1              |
| 33        | 50664                   | Seal - Breaker box drain                           | 1              |
| 34        | 102763                  | Screw - Hex hd 10-24 x 3/4 in. lg                  | 4              |
| 35        | 55977                   | Clip - Breaker box cover                           | 2              |
| 36        | 55766B                  | Cover - Breaker box                                | 1              |
|           | 57768A                  | Crankcase Cover Assy                               | 1              |
| 37        | 104230                  | . Speednut   | 1              |
| 38        | 54184                   | . Wiper - Felt                                     | 1              |
| 39        | 110055                  | . Screw - 8-32 x 3/8 in. lg (SEMS)                 | 1              |
| 40        | 57829                   | Clamp - Ignition wire                              | 1              |
| 41        | 100955                  | . Nut - Hex 8-32                                   | 1              |
| 42        | 100080                  | . Washer - Plain #8                                | 1              |
| 43        | 50074                   | . Condenser  | 1              |
| 44        | 103748                  | . Screw - Hex hd 8-32 x 1/2 in. lg                 | 1              |
| 45        | 57766                   | . Wire Assy - Primary                              | 1              |
| 46        | 55782                   | . Insulator  | 1              |
| 47        | 57769                   | . Insulator - Ignition screw                       | 1              |
| 48        | 57770A                  | . Insulator - Breaker spring                       | 1              |
| 49        | 104553                  | . Washer - Lock #8                                 | 1              |
| 50        | 104551                  | . Nut - Hex 8-32                                   | 1              |
| 51        | 104733                  | . Screw - 8-32 x 1/2 in. lg (SEMS)                 | 2              |
| 52        | 55778C                  | . Washer - Special                                 | 1              |
| 53        | 104733                  | . Screw - 8-32 x 1/2 in. lg (SEMS)                 | 1              |
| 54        | 57767A                  | . Lockplate  | 1              |
| 55        | 57765A                  | . Breaker Assy                                     | 1              |
| 56        | 101326                  | . Nut - Hex 10-24                                  | 1              |
| 57        | 57898                   | . Seal - Oil                                       | 1              |
| 58        | 57897                   | . Seal - Oil                                       | 1              |

This list is continued on page 8

#47769  
2-63

FIGURE 3. POWERHEAD ASSEMBLY (CONT)

| Index No. | Part Number | Nomenclature   | Units Per Assy |
|-----------|-------------|--|----------------|
| 59        |             | Cover - Crankcase.....(Order Crankcase Cover Assy #57768A)               | 1              |
| 60        | 104523      | "O" Ring .....   | 1              |
| 61        | 100824      | Bearing - Ball .....   | 1              |
| 62        | 104490      | Bearing - Ball .....   | 1              |
| 63        | 47751       | Crankshaft .....   | 1              |
|           | 47749       | Cylinder and Crankcase Assy .....  | 1              |
| 64        | 101326      | . Nut - Hex 10-24 .....  | 8              |
| 65        | 28053       | . Retainer - Nut .....   | 2              |
| 66        | 18556A      | . Retainer - Nut .....   | 6              |
| 67        | 101143      | . Nut - Hex 10-24 .....  | 6              |
| 68        | 104486      | . Seal - Oil.....  | 1              |
| 69        | 104255      | . Retainer - Nut .....   | 2              |
| 70        | 57063       | . Retainer - Nut .....   | 4              |
| 71        |             | . Cylinder and Crankcase .....(Order Cylinder and Crankcase Assy #47749) | 1              |

| Part Number | Nomenclature                                 |           |
|-------------|--|-----------|
| 47766       | Piston Assy - 0.010 in. oversize .....       | Alternate |
| 47768       | . Ring Set - Piston 0.010 in. oversize ..... | Alternate |