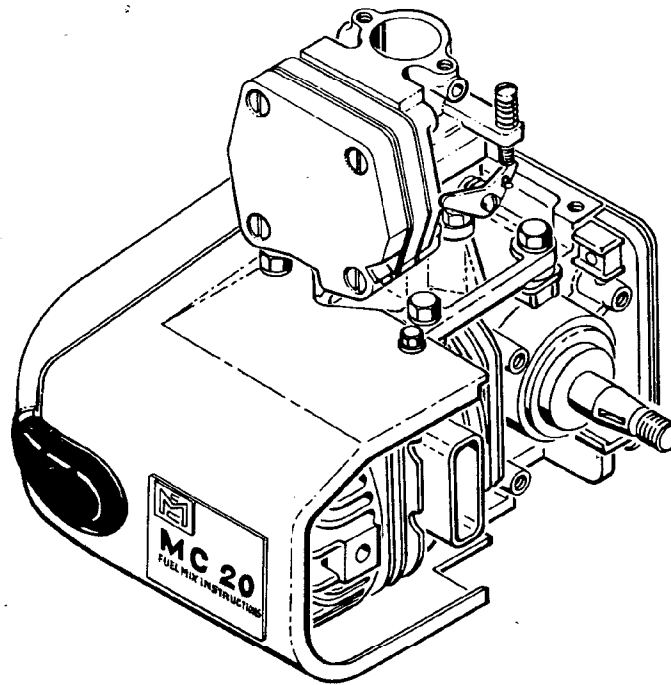


ILLUSTRATED PARTS LIST

MARCH 1961



The following pages contain an illustrated parts list for the MC20 Kart Engine. Due to small differences between engines, it is important that the Serial Number of your Kart Engine be included whenever spare parts are ordered. This will assure receiving the proper parts from your dealer.

	Page
Figure 1. Engine Assembly, Model MC20 Engine	2
Figure 2. McCulloch Carburetor Assembly	4
Figure 3. Powerhead Assembly	6



McCULLOCH CORPORATION
6101 West Century Boulevard, Los Angeles 45, California

48884

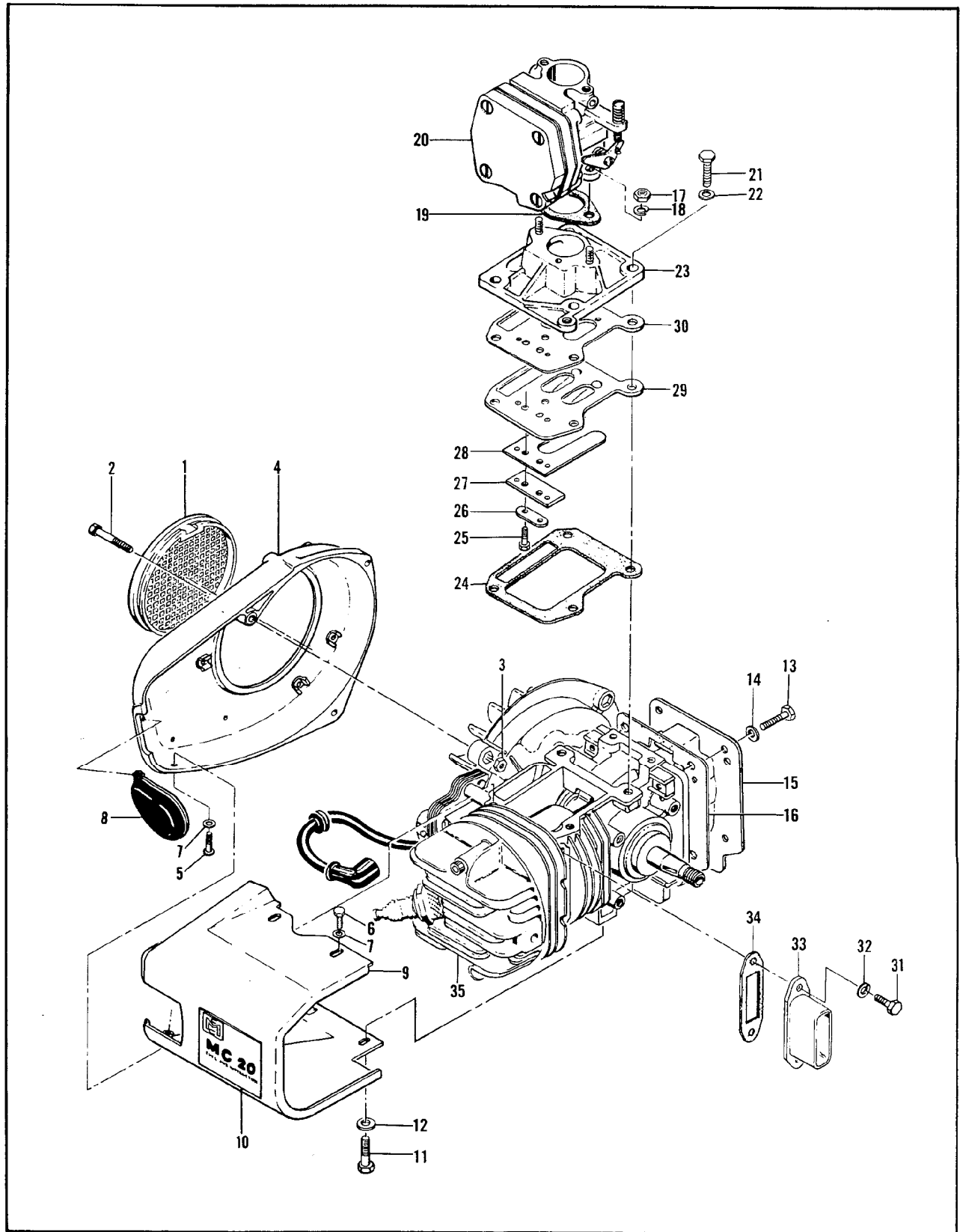


Figure 1. Engine Assembly, Model MC20 Engine

FIGURE 1 ENGINE EXPLODED VIEW—GENERAL

MC20

Index No.	Part Number	Nomenclature	Units Per Assy
1	55615	Guard - Sawdust	1
2	104503	Screw - 10-24 x 1-1/4 in. lg (SEMS)	3
3	101191	Nut - Hex 10-24	2
4	48864	Housing - Fan	1
5	104393	Screw - Pan hd 10-24 x 3/8 in. lg	1
6	102762	Screw - Hex hd 10-24 x 1/2 in. lg	1
7	102189	Washer - No. 10	2
8	57565	Cover Assembly - Spark plug	1
9	48865	Shroud, Cylinder	1
10	48866	Plate - Name	1
11	100732	Screw - Hex hd 1/4-20 x 5/8 in. lg	2
12	100005	Washer	2
13	100882	Screw - Hex hd 1/4-20 x 3/4 in. lg	4
14	100311	Washer	4
15	58139	Bottom - Crankcase	1
16	58166	Gasket - Crankcase Bottom	1
17	100249	Nut - Hex 1/4-28	2
18	100153	Washer - Lock 1/4 in.	2
19	55252B	Gasket - Carburetor	1
20		Carburetor Assy (See Figure 2)	1
21	103947	Screw - 10-24 x 1 in. lg	4
22	100003	Washer - No. 10	4
23	48887	Adapter Assembly - Carburetor	1
24	48605	Gasket - Plate	1
25	104476	Screw - Hex hd 8-32 x 5/16 in. lg	2
26	51480	Lockplate	1
27	57173	Clamp - Reed	1
28	51809A	Valve - Reed	1
29	48791	Plate - Reed	1
30	48604	Gasket - Manifold	1
31	102388	Screw - Hex hd 10-24 x 5/8 in. lg	2
32	103100	Washer - Lock	2
33	48609	Header - Exhaust	1
34	36093	Gasket - Muffler	1
35		Powerhead Assy (See Figure 3)	1

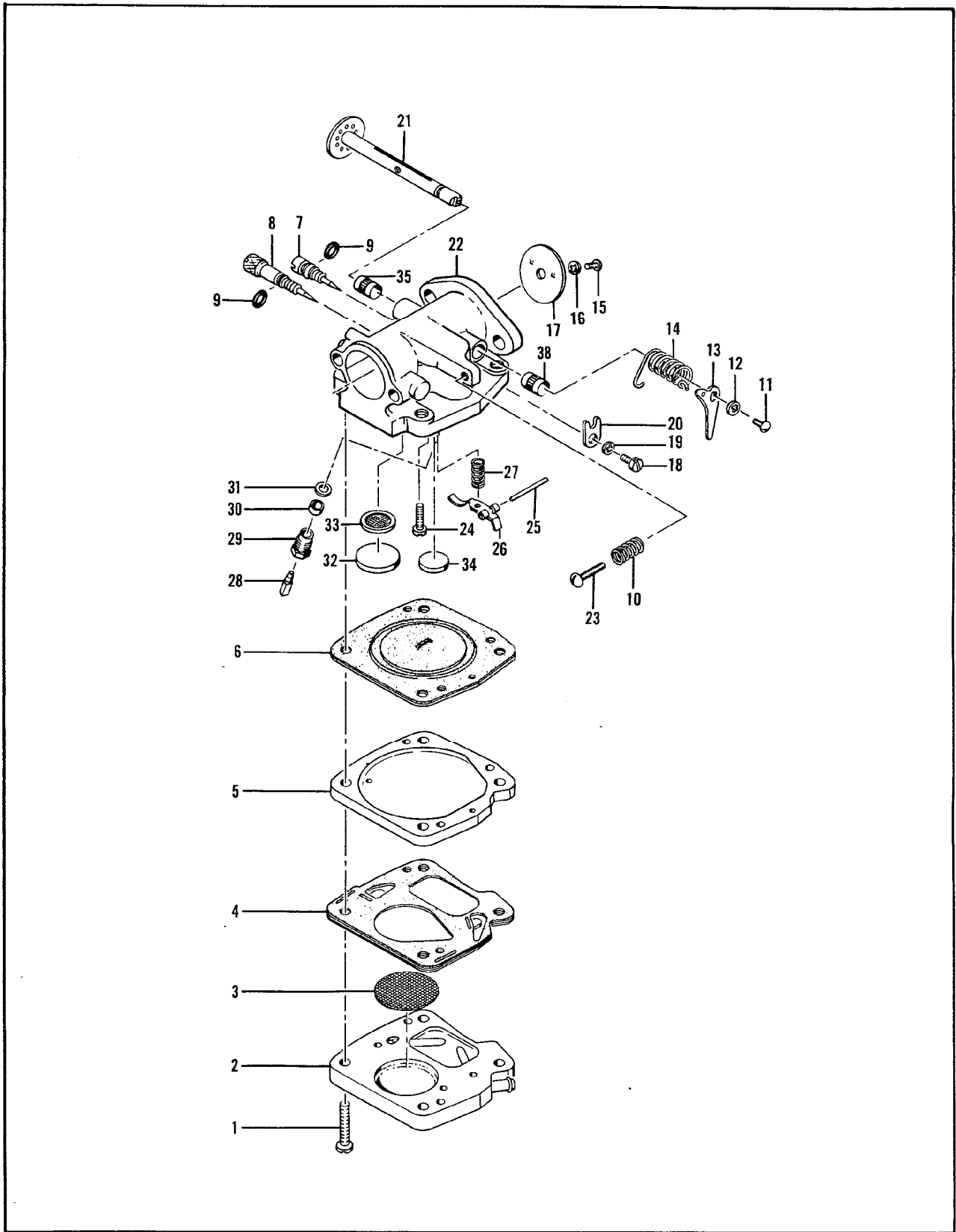


Figure 2. McCulloch Carburetor Assembly

FIGURE 2 McCULLOCH CARBURETOR ASSEMBLY

MC20

Index No.	Part Number	Nomenclature	Units Per Assy
	48890	McCulloch Carburetor and Fuel Pump Assy	1
1	104520	. Screw - Pan hd 10-24 x 7/8 in. lg	4
2	48897	. Body Assy - Fuel pump	1
3	57277	. . Filter - Fuel pump	1
4	57274A	. Diaphragm - Fuel pump	1
5	48901	. Plate - Carburetor diaphragm	1
6	55067A	. Diaphragm	1
7	55090	. Needle - Metering	1
8	48810	. Needle - Metering main	1
9	104001	. "O" Ring	2
10	51705	. Spring - Idle screw	1
11	104000	. Screw - Pan hd 4-40 x 1/4 in. lg	1
12	103540	. Lockwasher - Internal	1
13	50701A	. Arm - Throttle shaft	1
14	48820	. Spring - Throttle return	1
15	104000	. Screw - Pan hd 4-40 x 1/4 in. lg	1
16	103540	. Lockwasher - Internal	1
17	55085	. Plate - Throttle	1
18	102219	. Screw - Fil hd 8-32 x 1/4 in. lg	1
19	100252	. Lockwasher - No. 8	1
20	55082	. Clip - Throttle shaft	1
21	48818A	. Shaft - Throttle assy	1
22	48907	. Carburetor Body Assy	1
23	55397	. . Screw - Idle	1
24	104164	. . Screw - Pan hd 4-40 x 1/4 in. lg	1
25	104305	. . Pin - Inlet lever	1
26	55688	. . Lever - Inlet control	1
27	57172	. . Spring - Inlet lever	1
28	55476	. . Valve - Needle	1
29	55475	. . Body - Needle	1
30	55474	. . Seat - Needle	1
31	55689	. . Washer - Valve	1
32	104407	. . Plug - Expansion	1
33	55690B	. . Seal - Capillary	1
34	102758	. . Plug - Expansion	1
35	55062A	. . Bushing - Carburetor body	2

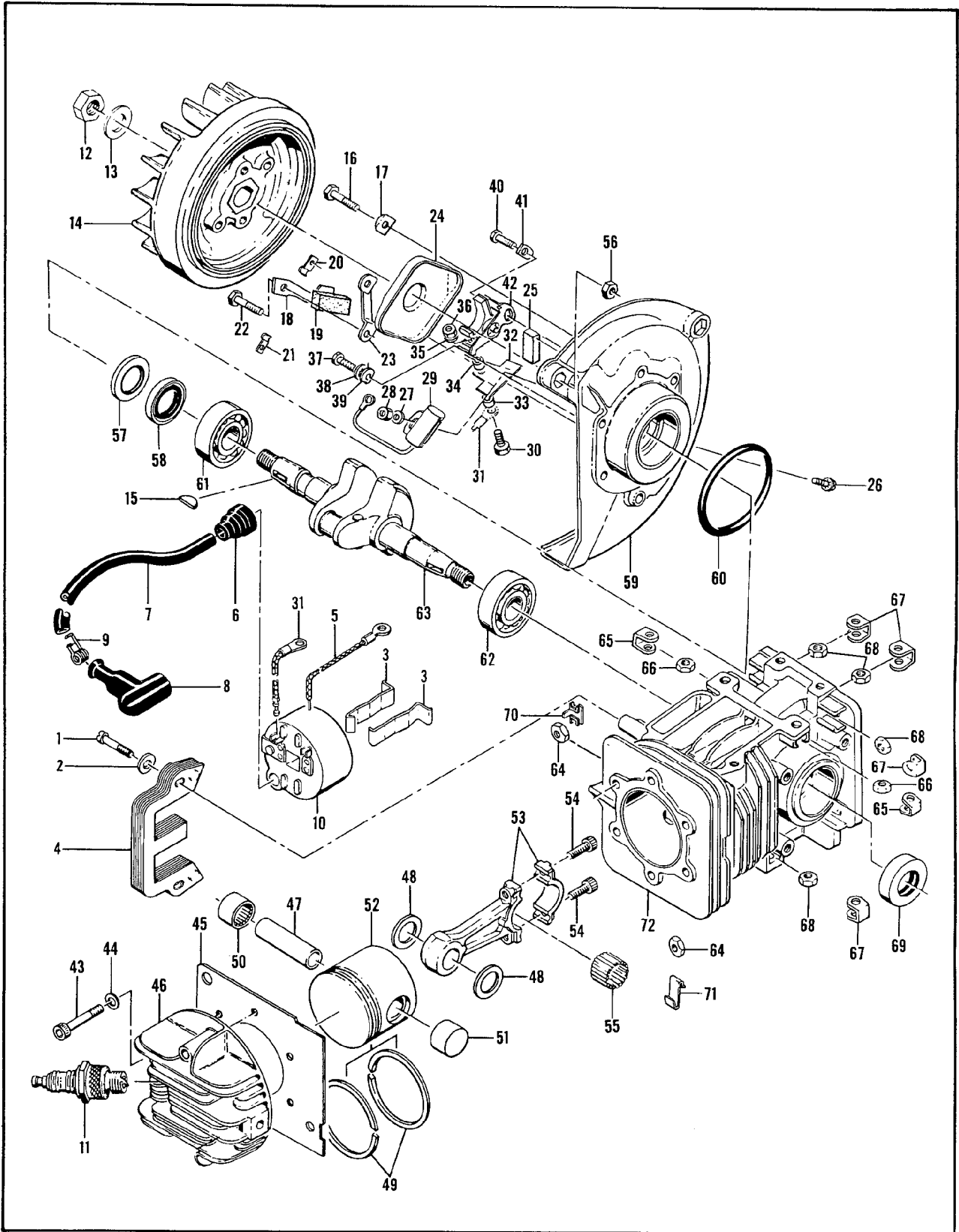


Figure 3. Powerhead Assembly

FIGURE 3 POWERHEAD ASSEMBLY

MC20

Index No.	Part Number	Nomenclature	Units Per Assy
1	101965	Screw - Fil hd 10-24 x 7/8 in. lg	2
2	100003	Washer	2
3	51253	Retainer - Coil	2
4	51251	Lamination Assy - Coil	1
	55949A	Coil and Terminal Assy	1
5	101883	. Wire Assy - Ground	1
6	55617	. Nipple - Spark plug wire	1
7	52547	. Wire Assy - Spark plug	1
8	55060	. . Boot - Spark plug	1
9	55061	. . Connector - Spark plug wire	1
10		. Coil Assy	1
11		Plug - Spark 14 mm	1
12	101179	Nut - Hex 7/16	1
13	101270	Washer - Special	1
14	48785A	Flywheel Assy	1
15	100199	Key - Woodruff	1
16	102763	Screw - Hex hd 10-24 x 3/4 in. lg	2
17	36388	Plate - Lock	1
18	57815	Strap - Seal	1
19	50664	Seal - Breaker box drain	1
20	104230	Speednut	1
21	104554	Speednut	1
22	102763	Screw - Hex hd 10-24 x 3/4 in. lg	4
23	55977	Clip - Breaker box cover	2
24	55786B	Cover - Breaker box	1
25	54184	Wiper - Felt	1
26	104555	Screw - Fil hd 8-32 x 1/2 in. lg (SEMS)	1
27	100080	Washer - Plain No. 8	1
28	100955	Nut - Hex 8-32	2
29	50074	Condenser	1
30	103748	Screw - Hex hd 8-32 x 1/2 in. lg	1
31	57766	Wire Assy - Primary	1
32	55782	Insulator	1
33	57769	Insulator - Ignition screw	1
34	57770	Insulator - Breaker spring	1
35	104553	Lockwasher - No. 8	1
36	104551	Nut - Hex 8-32	1
37	100414	Screw - Fil hd 8-32 x 1/2 in. lg	1
38	100057	Lockwasher	1
39	55778A	Washer - Special	1
40	103061	Screw - 8-32 x 1/2 in. lg (SEMS)	1
41	57767	Lockplate	1
42	57765	Breaker Assy	1
43	104534	Screw - Socket hd 10-24 x 1-13/32 in. lg	6
44	24236	Washer	6
45	48858	Gasket	1
46	48903	Head - Cylinder	1
47	58132	Pin - Piston	1
48	51209	Washer - Thrust	2
	48904	Piston Assy	1
49	48691	. Ring Set - Piston	1
50	101206	. Bearing - Needle	1
51	104378	. Bearing - Needle (Closed end)	1
52		. Piston	1
	 (Order Piston Assy #48904)	1
53	48905	Connecting Rod Assy	1
54	101356	. Screw - Socket hd 10-32 x 5/8 in. lg	2
55	102742	. Roller - Needle	24
	57827	Crankcase Cover Assy	1
56	101326	. Nut - Hex 10-24	1
57	57870	. Seal - Oil	1
58	57784	. Seal - Oil	1
59		. Cover - Crankcase	1
60	104523	“O” Ring	1
	 (Order Assy #57827)	1

FIGURE 3 POWERHEAD ASSEMBLY

Index No.	Part Number	Nomenclature	Units Per Assy
61	100824	Bearing - Ball	1
62	104490	Bearing - Ball	1
63	58128	Crankshaft	1
	48871	Cylinder Assy - Crankcase	1
64	101326	. Nut - Hex 10-24	6
65	28053	. Retainer - Nut	2
66	101326	. Nut - Hex 10-24	2
67	18556A	. Retainer - Nut	6
68	101143	. Nut - Hex 1/4-20	6
69	104486	. Seal - Oil	1
70	104255	. Retainer - Nut	2
71	57063	. Retainer - Nut	4
72		. Cylinder - Crankcase (Order Assy #48871)	1