

# MC101D Engine

Model 400171D, Serial Numbers prefixed 11- , 12-

## ILLUSTRATED PARTS LIST

March 1973

The policy of McCulloch Corporation is one of continual improvement in design, manufacturing and engineering advancement wherever possible to assure still finer two-cycle power tools. Hence, specifications, equipment, colors, design and manufacturer's suggested list prices are subject to change without notice and McCulloch Corporation reserves the right to make such changes without prior notification or obligation to backfit or supply backfit components for units previously shipped from the factory.

	Page
Figure 1. General . . . . .	2
Figure 2. Carburetor Assembly . . . . .	4
Figure 3. Powerhead Assembly . . . . .	6



# McCULLOCH

# MC 101D

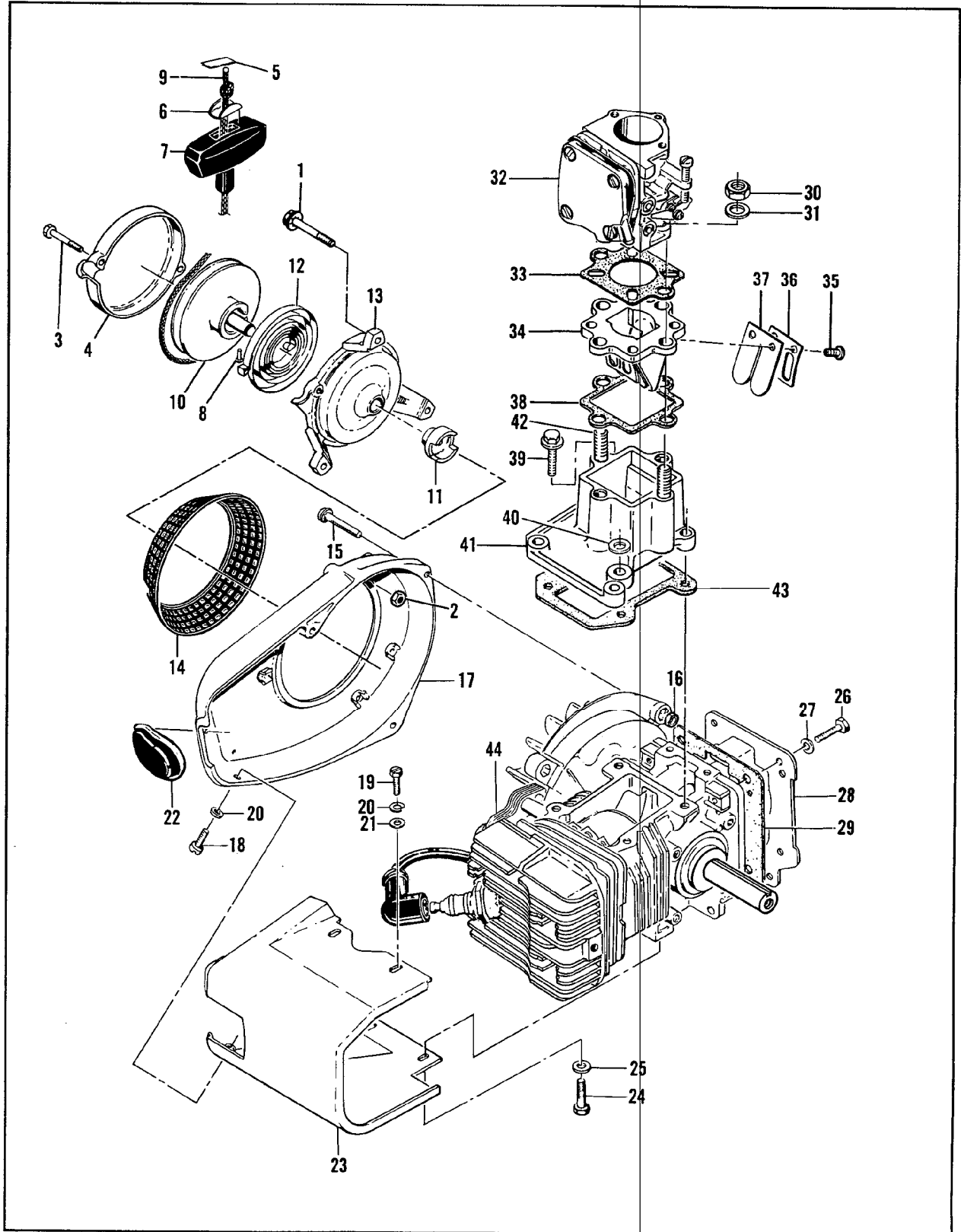


FIGURE 1. GENERAL

Item No.	Part Number	Description	Units Per Assy
1	104815	Screw - Hex hd 10-24 x 7/8 (SEMS)	3
2	101326	Nut - Hex 10-24	3
	85323	Starter Assy	1
3	104396	. Screw - Pan hd 10-24 x 3/4	2
4	60647	. Cover - Starter	1
5	57232	. Plate - Starter handle	1
6	57231	. Cup - Starter handle	1
7	57230	. Handle - Starter	1
8	101136	. Rivet - Rope	1
9	28716	. Rope - Starter	1
10	57792	. Drum - Starter	1
11	84177	. Ratchet - Starter	1
12	51665	. Spring - Rewind	1
13	84212	. Base - Starter	1
14	84629	Guard - Flywheel	1
15	104816	Screw - Hex hd 10-24 x 1-1/4 (SEMS)	3
16	101326	Nut - Hex 10-24	2
17	86241	Fan Housing	1
18	102500	Screw - Pan hd 10-24 x 1/2	1
19	102762	Screw - Hex hd 10-24 x 1/2	1
20	101194	Lockwasher - #10	3
21	100002	Washer - #10	3
22	86387	Cover Assy - Spark plug	1

Item No.	Part Number	Description	Units Per Assy
23	47904	Shroud - Cylinder	1
24	102861	Screw - Hex hd 1/4-20 x 5/8	2
25	100005	Washer - 1/4	2
26	105187	Screw - Hex hd 1/4-20 x 1	4
27	13643	Washer - Special	4
28	47803	Cover - Crankcase bottom	1
29	65654	Gasket - Cover	1
30	100249	Nut - Hex 1/4-28	2
31	100153	Lockwasher - 1/4	2
32		Carburetor (See Figure 2)	
33	65939	Gasket - Carburetor	1
34	68091	Valve Assy - Reed	1
35	101987	. Screw - Rd hd 6-32 x 1/4	4
36	65904	. Plate - Clamp	2
37	68074	. Valve - Reed	2
38	68894	Gasket - Reed valve	1
39	103947	Screw - Hex hd 10-24 x 1 (SEMS)	4
40	103744	Washer - Sealing	1
41	68889	Manifold Assy - Carburetor	1
42	47868	. Stud - Manifold	2
43	69526	Gasket - Manifold	1
44		Powerhead (See Figure 3)	

# MC 101D

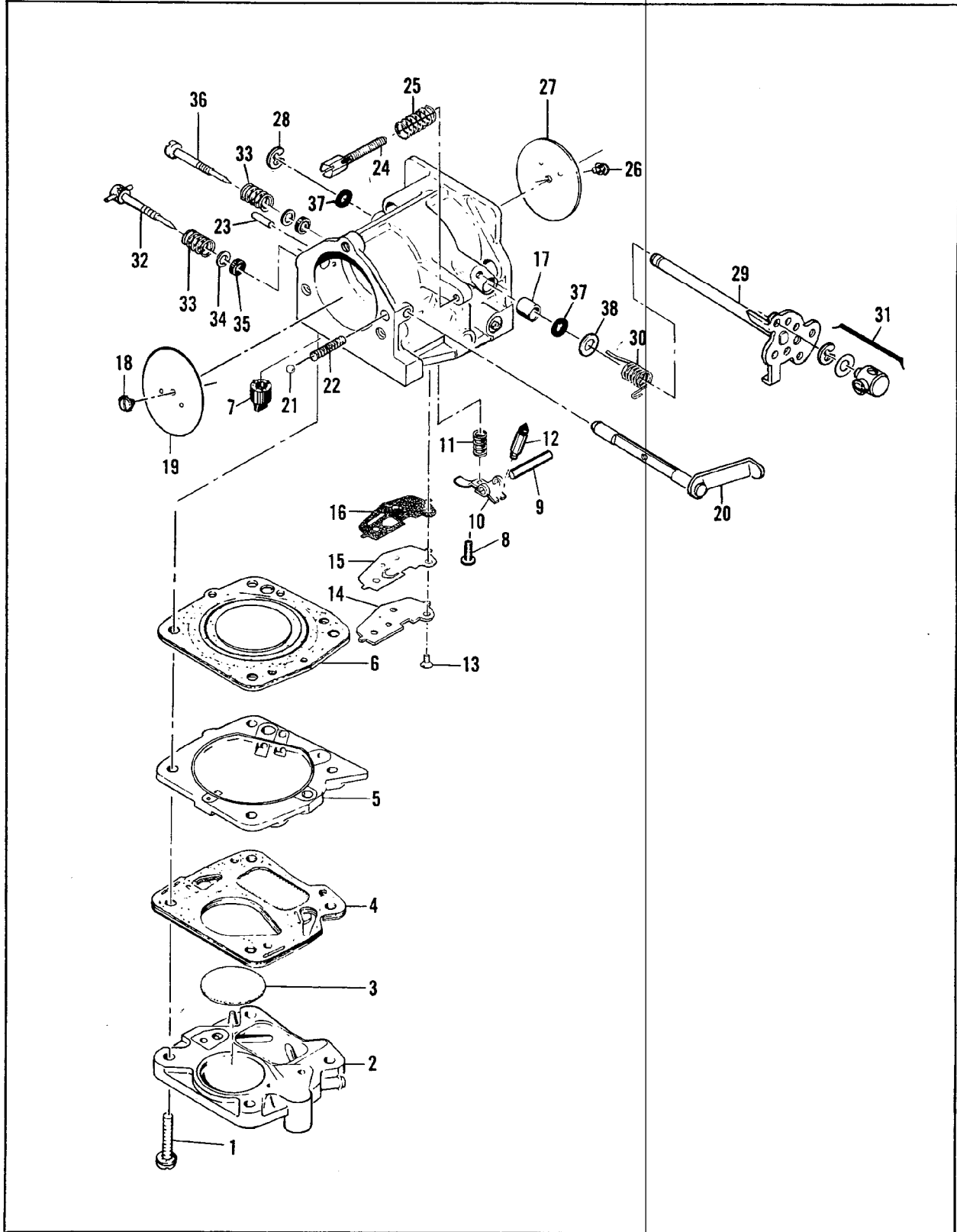


Figure 2. Carburetor Assembly

FIGURE 2. CARBURETOR ASSEMBLY

Item No.	Part Number	Description	Units Per Assy
	89664	Carburetor Assy	1
1	104520	. Screw - Pan hd 10-24 x 7/8 (SEMS)	4
2	84941	. Body - Fuel pump	1
3	48911	. Filter - Fuel	1
4	57274B	. Diaphragm - Fuel pump	1
5	89657	. Plate - Diaphragm	1
6	66092	. Diaphragm - Metering	1
7	53766A	. Valve - Check	1
8	104728	. Screw - Lever pin	1
9	104305	. Pin - Lever	1
10	84317	. Lever - Inlet	1
11	57172	. Spring - Lever	1
12	83753	. Needle - Inlet valve	1
13	84942	. Screw - Circuit plate	3
14	84938	. Plate - Circuit	1
15	84944	. Diaphragm	1
16	88843	. Gasket - Circuit plate	1
17	55062A	. Bushing - Body	2
18	104814	. Screw - Pan hd 4-40 x 1/4 (SEMS)	1
19	65934	. Plate - Choke	1

Item No.	Part Number	Description	Units Per Assy
20	89094	. Shaft Assy - Choke	1
21	89652	. Ball - Choke detent	1
22	52930	. Spring - Choke detent	1
23	101796	. Pin - Choke plate	1
24	89655	. Screw - Idle speed	1
25	51705	. Spring - Speed screw	1
26	104814	. Screw - Pan hd 4-40 x 1/4 (SEMS)	1
27	65934	. Plate - Throttle	1
28	68211	. Retainer - "C" Ring	1
29	89654	. Shaft Assy - Throttle	1
30	89656	. Spring - Throttle return	1
31	88844	. Swivel Assy - Throttle shaft*	1
32	84940	. Needle - High speed	1
33	89665	. Spring - Needle	2
34	52937	. Washer - Packing	2
35	88106	. Ring - Packing	2
36	84939	. Needle - Idle	1
37	89660	. "O" Ring	2
38	89659	. Washer - Nylon	1
	89658	Repair Kit	

\*Swivel on replacement carburetors may require relocation on the throttle lever as illustrated.

# MC 101D

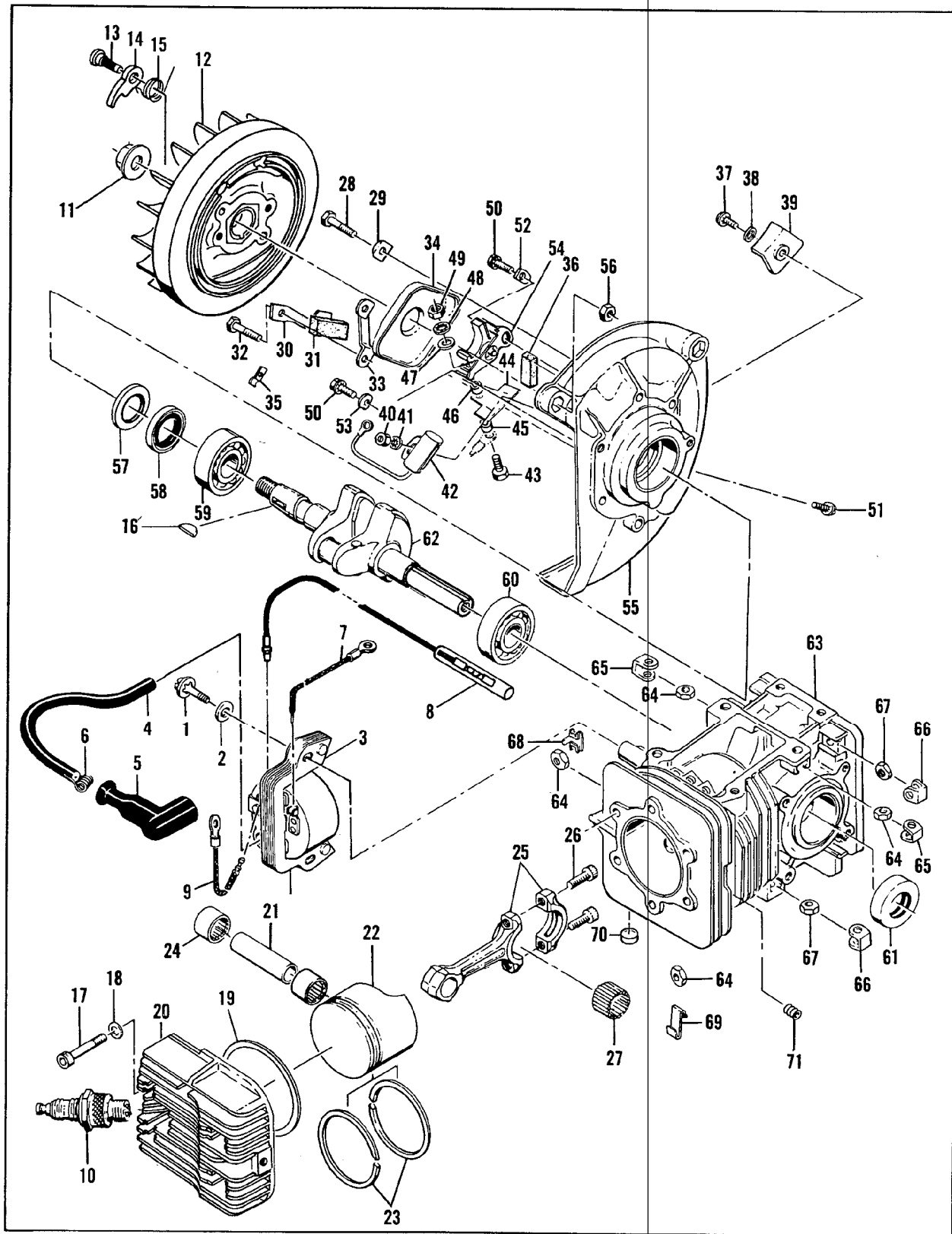


Figure 3. Powerhead Assembly

## FIGURE 3. POWERHEAD ASSEMBLY

Item No.	Part Number	Description	Units Per Assy
1	104815	Screw - Hex hd 10-24 x 7/8 (SEMS)	2
2	100352	Washer - #10	2
3	86413	Coil - Lamination Assy	1
4	50120	. Wire Assy - Spark plug	1
5	55060	. . Boot	1
6	55061	. . Connector	1
7	101883	. Wire Assy - Ground	1
8	86131	Wire - Kill switch	1
9	57766	Wire Assy - Primary	1
10	84536	Spark Plug - Ch L-78	1
11	110655	Nut - Flange hex 7/16-20	1
12	68282	Flywheel & Pawl Assy	1
13	36144B	. Pin - Starter pawl	2
14	24093	. Pawl - Starter	2
15	66351	. Spring - Pawl	2
16	103879	Key - Woodruff	1
17	47905	Screw - Skt hd 10-24 x 1-15/36	6
18	24236	Washer - Special	6
19	84459	Gasket - Cylinder head	1
20	89211	Head - Cylinder	1
21	69408	Pin - Piston	1
22	84469	Piston Assy	1
23	104519	. Bearing - Needle	2
24	85608	Ring Set - Piston	1
25	86415	Connecting Rod Assy	1
26	110720	. Screw - Skt hd special	2
27	69891	. Roller - Needle	24
28	102763	Screw - Hex hd 10-24 x 3/4	2
29	36388	Lockplate	1
30	57815	Strap - Seal	1
31	50664	Seal - Breaker box drain	1
32	110866	Screw - Hex hd 10-24 x 3/4	4
33	55977	Clip - Breaker box cover	2
34	55766B	Cover & Gasket Assy - Breaker box	1
35	104230	Speednut	1
36	54184	Wiper - Felt	1

Item No.	Part Number	Description	Units Per Assy
37	110055	Screw - Fil hd 8-32 x 3/8 (SEMS)	1
38	100080	Washer #8	1
39	57829	Clamp - Ignition wire	1
40	100251	Nut - Hex 8-32	1
41	100057	Lockwasher #8	1
42	85358	Condenser	1
43	110338	Screw - Hex hd 8-32 x 9/16	1
44	55782A	Insulator - Wire	1
45	57769	Insulator - Screw	1
46	57770A	Insulator - Breaker spring	1
47	100080	Washer #8	1
48	104553	Lockwasher #8	1
49	104551	Nut - Hex 8-32	1
50	104733	Screw - Fil hd 8-32 x 1/2 (SEMS)	2
51	103748	Screw - Hex hd 8-32 x 1/2	1
52	57767A	Lockplate	1
53	55778E	Washer - Breaker retainer	1
54	57765B	Breaker Assy	1
55	84193	Cover Assy - Crankcase	1
56	101326	. Nut - Hex 10-24	3
57	57898	. Seal - Oil	1
58	57897	. Seal - Oil	1
59	100824	Bearing - Ball	1
60	89128	Bearing - Ball	1
61	110884	Seal - Oil	1
62	89141	Crankshaft	1
63	89390	Crankcase Assy	1
64	101326	. Nut - Hex 10-24	8
65	28053	. Retainer - Nut	2
66	18556A	. Retainer - Nut	6
67	101143	. Nut - Hex 1/4-20	6
68	104255	. Retainer - Nut	2
69	57063	. Retainer - Nut	4
70	110685	. Plug - Cup	3
71	83374	. Insert - Taplok	2

## ACCESSORIES

Part Number	Description
62849	Pressure Test Tool
67218	Intake Adapter Plate
62862	Exhaust Adapter Plate
68256	Split Bearing Retainer
83209	Blind Piston Tool Kit
59549	T-Handle Allen Wrench -5/32 in.
67537	Loctite-10 cc
51787B	Flywheel Puller
68280	Flywheel - 5° Advance
84498	High Compression Cylinder Head
85183	High Capacity Fuel Pump
85162	Alcohol Carburetor
84470	Piston Assy - 0.010 in. Oversize
85609	Ring Set - 0.010 in. Oversize

Part Number	Description
84473	Piston Assy - 0.020 in. Oversize
85610	Ring Set - 0.020 in. Oversize
84474	Piston Assy - 0.030 in. Oversize
85611	Ring Set - 0.030 in. Oversize
84476	Piston Assy - 0.050 in. Oversize
89145	Ring Set - 0.050 in. Oversize
84729	Chrome Fan Housing
65712	Timing Guide
85583	Splined Key Wrench
85584	Splined Driver Socket
84914	Spark Plug - Ch L88
84915	Spark Plug - Ch L81
84916	Spark Plug - Ch L87
84919	Spark Plug - Ch L84