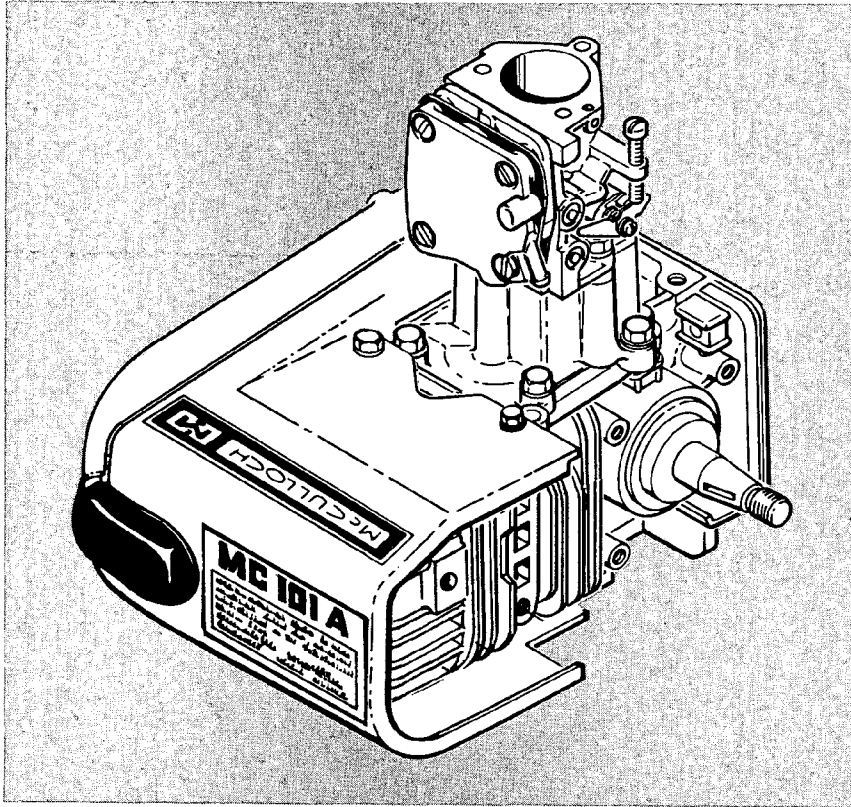


# KART engine MC101 series

## ILLUSTRATED PARTS LIST

JUNE 1970



The policy of McCulloch Corporation is one of continual improvement in design, manufacturing and engineering advancement wherever possible to assure still finer two-cycle power tools. Hence, specifications, equipment, colors, design and manufacturer's suggested list prices are subject to change without notice and McCulloch Corporation reserves the right to make such changes without prior notification or obligation to backfit or supply backfit components for units previously shipped from the factory.

	Page
Figure 1. General . . . . .	2
Figure 2. Carburetor Assembly . . . . .	4
Figure 3. Carburetor Assembly . . . . .	6
Figure 4. Powerhead Assembly . . . . .	10

(See page 11 for cancelled and superseded parts lists)



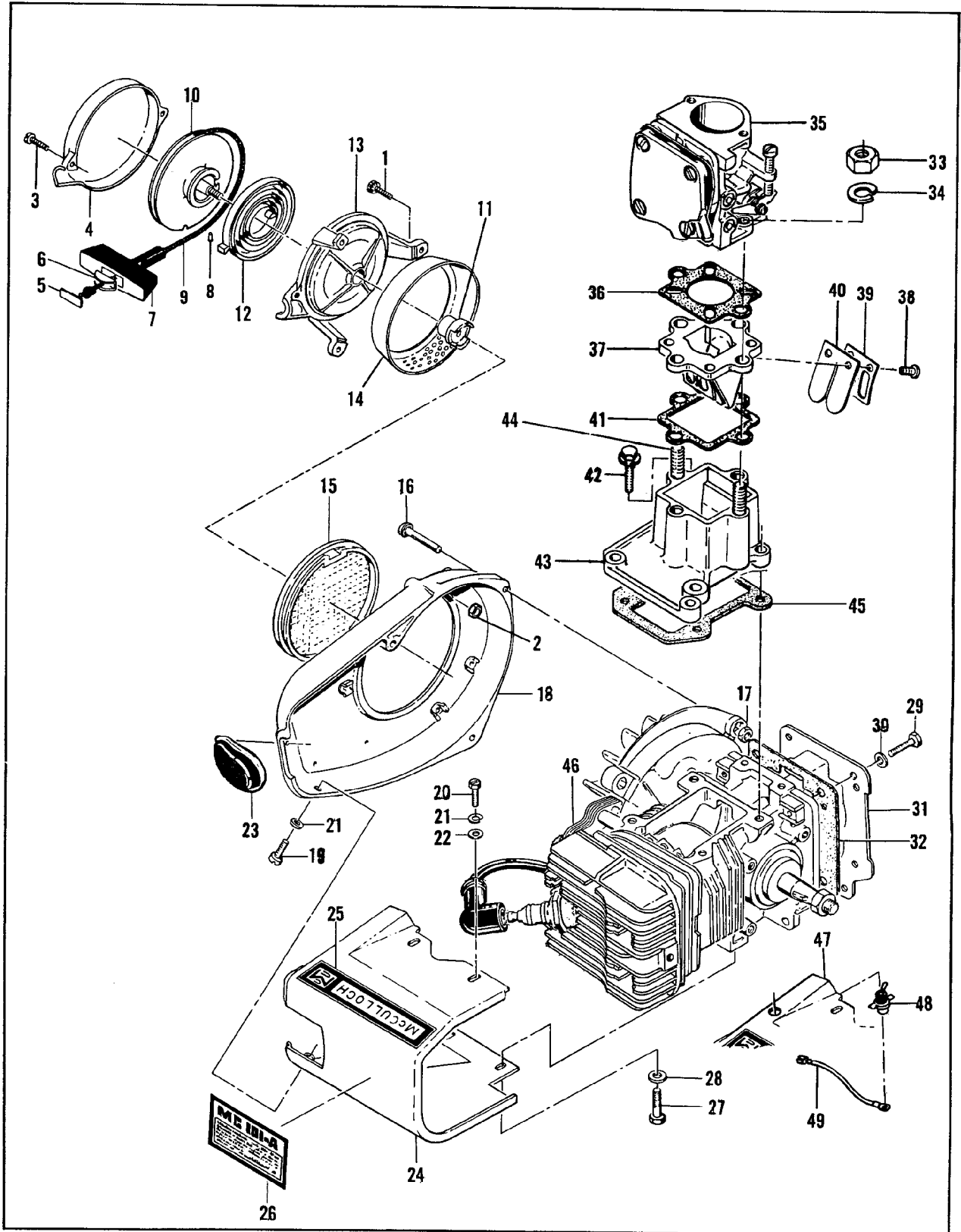


Figure 1. General

FIGURE 1. GENERAL

Item No.	Part Number	Description	Units Per Assy	Usable on Code															
MC 101 Series - Usable on Code																			
<table border="1" style="width: 100%; border-collapse: collapse;"> <thead> <tr> <th>Model</th> <th>101</th> <th>101</th> <th>101C</th> <th>101A</th> </tr> <tr> <th>Number</th> <th>A</th> <th>B</th> <th>C</th> <th>D</th> </tr> <tr> <th>Serial Numbers</th> <td>Without Prefix &amp; 10-</td> <td>Prefixed 11-</td> <td>Prefixed 13-</td> <td>Prefixed 14-</td> </tr> </thead> </table>					Model	101	101	101C	101A	Number	A	B	C	D	Serial Numbers	Without Prefix & 10-	Prefixed 11-	Prefixed 13-	Prefixed 14-
Model	101	101	101C	101A															
Number	A	B	C	D															
Serial Numbers	Without Prefix & 10-	Prefixed 11-	Prefixed 13-	Prefixed 14-															
1	104815	Screw - Hex hd 10-24 x 7/8 (SEMS).....	3	C															
2	101191	Nut - Hex 10-24 .....	3	C															
	84211	Starter Assy .....	1	C															
3	104396	. Screw - Pan hd 10-24 x 3/4 .....	2	C															
4	60647	. Cover - Starter .....	1	C															
5	57232	. Plate - Starter handle .....	1	C															
6	57231	. Cup - Starter handle .....	1	C															
7	57230	. Handle - Starter .....	1	C															
8	101136	. Rivet - Rope .....	1	C															
9	28716	. Rope - Starter .....	1	C															
10	57792	. Drum - Starter .....	1	C															
11	57790	. Ratchet - Starter .....	1	C															
12	51665	. Spring - Rewind .....	1	C															
13	84212	. Base - Starter .....	1	C															
14	50581A	Guard .....	1	C															
15	55615	Guard .....	1	A,B															
16	104816	Screw - Hex hd 10-24 x 1-1/4 (SEMS) .....	3	All															
17	101326	Nut - Hex 10-24 .....	2	All															
18	47820	Fan Housing .....	1	A, B															
	69822	Fan Housing .....	1	C															
	84728	Fan Housing .....	1	D															
19	102500	Screw - Pan hd 10-24 x 1/2 .....	1	All															
20	102762	Screw - Hex hd 10-24 x 1/2 .....	1	All															
21	101194	Lockwasher - #10 .....	3	All															
22	100002	Washer - #10 .....	3	All															
23	57565	Cover Assy - Spark plug .....	1	All															
24	47904	Shroud - Cylinder .....	1	All															
25	48588A	. Nameplate .....	1	All															
26	66039	Nameplate .....	1	A,B,C															
	84704	Nameplate .....	1	D															
27	100732	Screw - Hex hd 1/4-20 x 5/8 .....	2	All															
28	100005	Washer - 1/4 .....	2	All															
29	101982	Screw - Hex hd 1/4-20 x 1 .....	4	All															
30	13643	Washer - Special .....	4	All															
31	47803	Cover - Crankcase bottom .....	1	All															
32	65578	Gasket - Cover .....	1	All															
33	100249	Nut - Hex 1/4-28 .....	2	All															
34	100153	Lockwasher - 1/4 .....	2	All															
35		Carburetor Assy (See Figures 2 and 3) .....		All															
36	65939	Gasket - Carburetor .....	1	All															
37	68091	Valve Assy - Reed .....	1	All															
38	101987	. Screw - Rd hd 6-32 x 1/4 .....	4	All															
39	65904	. Plate - Clamp .....	2	All															
40	68074	. Valve - Reed .....	2	All															
41	65937	Gasket - Reed valve .....	1	A															
	68894	Gasket - Reed valve .....	1	B,C,D															
42	103947	Screw - Hex hd 10-24 x 1 (SEMS) .....	4	All															
43	68889	Adapter Assy - Carburetor .....	1	All															
44	47868	. Stud - Adapter .....	2	All															
45	48516	Gasket - Adapter .....	1	All															
46		Powerhead Assy (See Figure 4) .....		All															
47	69762	Shroud .....	1	C															
48	58387	Stop Switch Assy .....	1	C															
49	53490	Wire Assy - Stop switch .....	1	C															

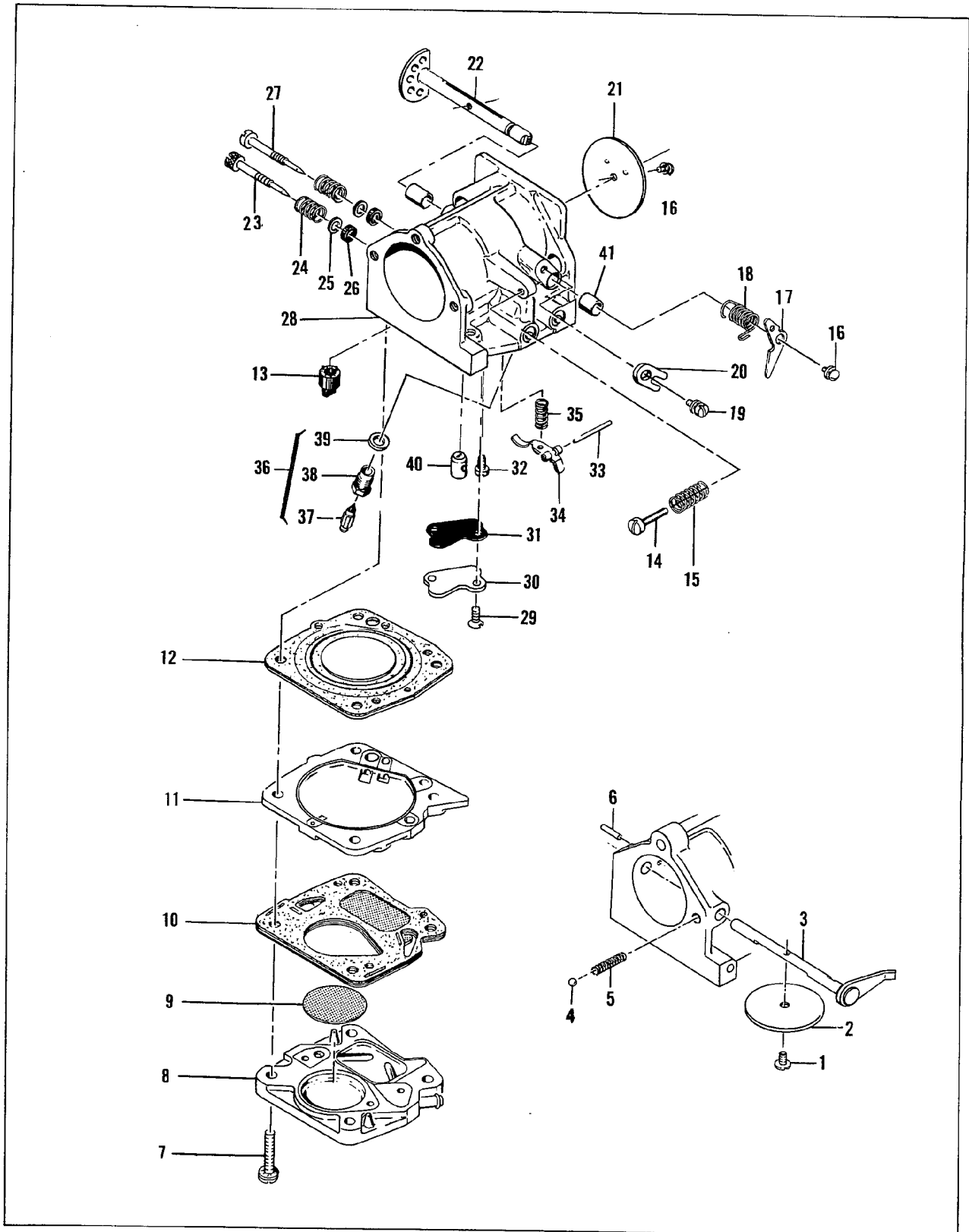


Figure 2. Carburetor Assembly

**FIGURE 2. CARBURETOR ASSEMBLY**

Item No.	Part Number	Description	Units Per Assy	Usable on Code															
MC 101 Series - Usable on Code																			
		<table border="1" style="margin-left: auto; margin-right: auto;"> <thead> <tr> <th>Model</th> <th>101</th> <th>101</th> <th>101C</th> <th>101A</th> </tr> <tr> <th>Number</th> <th>A</th> <th>B</th> <th>C</th> <th>D</th> </tr> <tr> <th>Serial Numbers</th> <th>Without Prefix &amp; 10-</th> <th>Prefixed 11-</th> <th>Prefixed 13-</th> <th>Prefixed 14-</th> </tr> </thead> </table>	Model	101	101	101C	101A	Number	A	B	C	D	Serial Numbers	Without Prefix & 10-	Prefixed 11-	Prefixed 13-	Prefixed 14-		
Model	101	101	101C	101A															
Number	A	B	C	D															
Serial Numbers	Without Prefix & 10-	Prefixed 11-	Prefixed 13-	Prefixed 14-															
	68886	Carburetor Assy .....	1	A,B															
	82894	Carburetor Assy .....	1	C															
1	104814	. Screw - Pan hd 4-40 x 1/4 (SEMS) .....	1	C															
2	65934	. Plate - Choke .....	1	C															
3	82893	. Shaft Assy - Choke .....	1	C															
4	100071	. Ball - Choke detent .....	1	C															
5	52930	. Spring - Choke detent .....	1	C															
6	101796	. Pin - Groove .....	1	C															
7	104520	. Screw - Pan hd 10-24 x 7/8 (SEMS) .....	4	A,B,C															
8	69169	. Body - Fuel pump .....	1	A,B,C															
9	48911	. Filter - Fuel .....	1	A,B,C															
10	57274B	. Diaphragm - Fuel pump .....	1	A,B,C															
11	69170	. Plate - Diaphragm .....	1	A,B,C															
12	66092	. Diaphragm - Carburetor .....	1	A,B,C															
13	53766A	. Valve - Check .....	1	A,B,C															
14	62910	. Screw - Idle speed .....	1	A															
	55397	. Screw - Idle speed .....	1	B,C															
15	51705	. Spring - Screw .....	1	B,C															
16	104814	. Screw - Pan hd 4-40 x 1/4 (SEMS) .....	2	A,B,C															
17	50701A	. Arm - Throttle shaft .....	1	A,B,C															
18	65935	. Spring - Throttle return .....	1	A,B,C															
19	110055	. Screw - Fil hd 8-32 x 3/8 (SEMS) .....	1	A,B,C															
20	55082	. Clip - Shaft .....	1	A,B,C															
21	65934	. Plate - Throttle .....	1	A,B,C															
22	65932	. Shaft Assy - Throttle .....	1	A,B,C															
23	68893	. Needle - Main fuel .....	1	A,B,C															
24	52936	. Spring - Needle .....	2	A,B,C															
25	52937	. Washer - Packing .....	2	A,B,C															
26	52938	. Packing - Needle .....	2	A,B,C															
27	67264	. Needle - Idle fuel .....	1	A,B,C															
28	68907	. Body Assy - Carburetor .....	1	A,B															
	69812	. Body Assy - Carburetor .....	1	C															
29	103460	. Screw - Fl hd 4-40 x 1/4 .....	2	A,B,C															
30	66097	. Cover - Capillary .....	1	A,B,C															
31	66098	. Gasket - Cover .....	1	A,B,C															
32	104728	. Screw - Bind hd 6-32 x 1/4 .....	1	A,B,C															
33	104305	. Pin - Lever .....	1	A,B,C															
34	55688	. Lever - Inlet .....	1	A,B,C															
35	57172	. Spring - Lever .....	1	A,B,C															
36	60163A	. Set - Needle & Body .....	1	A,B,C															
37	63038	. Needle - Valve .....	1	A,B,C															
38	58969	. Body - Valve .....	1	A,B,C															
39	55689	. Washer - Valve .....	1	A,B,C															
40	65611	. Valve - Check .....	1	A															
	68890	. Valve - Check .....	1	B,C															
41	55062A	. Bushing - Shaft .....	2	A,B,C															

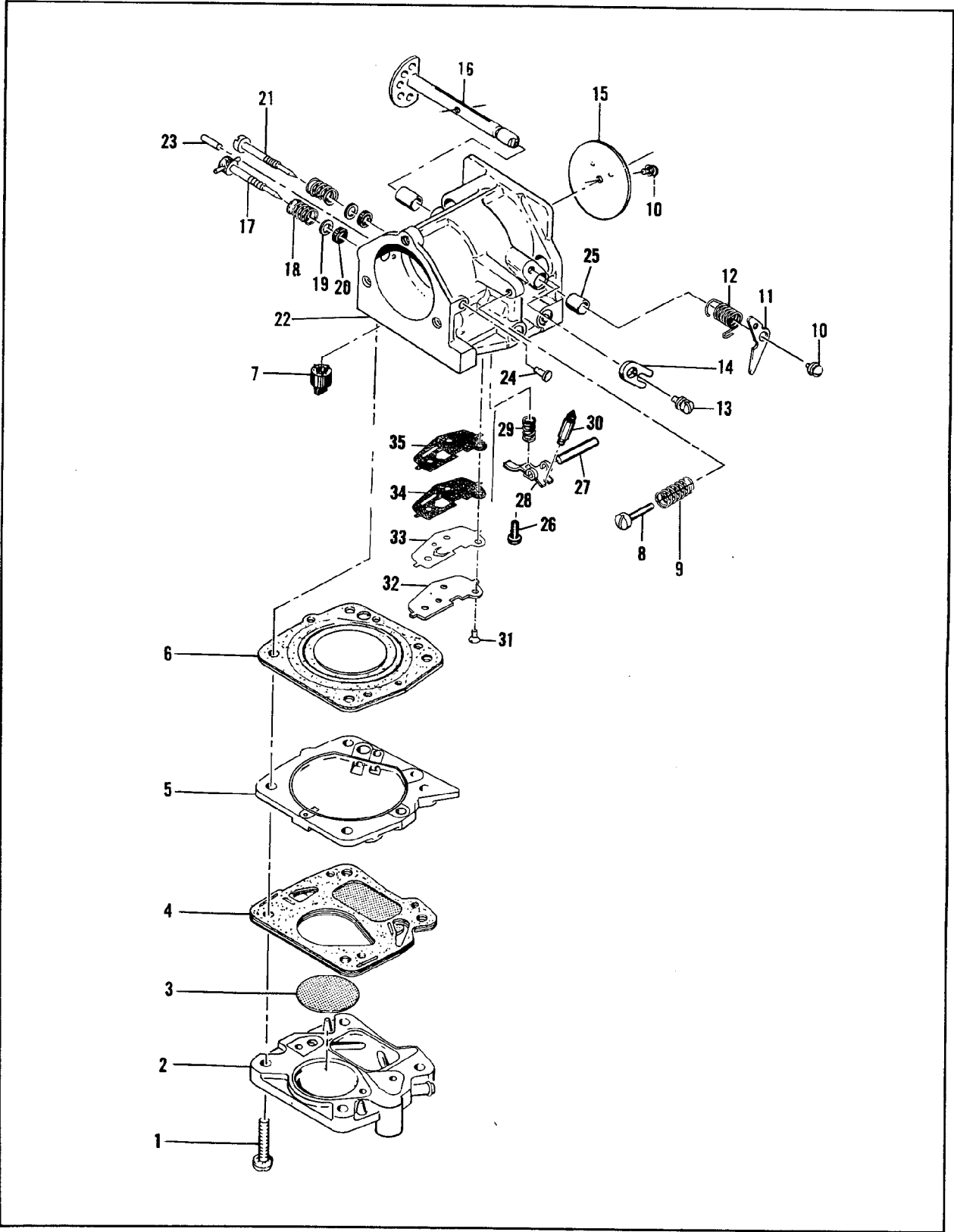


FIGURE 3. CARBURETOR ASSEMBLY

Item No.	Part Number	Description	Units Per Assy	Usable on Code															
MC 101 Series - Usable on Code																			
<table border="1" style="width: 100%; border-collapse: collapse;"> <thead> <tr> <th style="width: 15%;">Model</th> <th style="width: 15%;">101</th> <th style="width: 15%;">101</th> <th style="width: 15%;">101C</th> <th style="width: 15%;">101A</th> </tr> <tr> <th>Number</th> <th>A</th> <th>B</th> <th>C</th> <th>D</th> </tr> <tr> <th>Serial Numbers</th> <td>Without Prefix &amp; 10-</td> <td>Prefixed 11-</td> <td>Prefixed 13-</td> <td>Prefixed 14-</td> </tr> </thead> </table>					Model	101	101	101C	101A	Number	A	B	C	D	Serial Numbers	Without Prefix & 10-	Prefixed 11-	Prefixed 13-	Prefixed 14-
Model	101	101	101C	101A															
Number	A	B	C	D															
Serial Numbers	Without Prefix & 10-	Prefixed 11-	Prefixed 13-	Prefixed 14-															
	84446	Carburetor Assy . . . . .	1	D															
1	104520	. Screw Assy - Pan hd 10-24 x 7/8 (SEMS) . . . . .	4	D															
2	84941	. Body - Fuel pump . . . . .	1	D															
3	48911	. Filter - Fuel . . . . .	1	D															
4	57274B	. Diaphragm Assy - Fuel pump . . . . .	1	D															
5	69170	. Plate - Diaphragm . . . . .	1	D															
6	66092	. Diaphragm - Carburetor . . . . .	1	D															
7	53766A	. Valve - Check . . . . .	1	D															
8	55397	. Screw - Idle speed . . . . .	1	D															
9	51705	. Spring - Idle screw . . . . .	1	D															
10	104814	. Screw - Pan hd 4-40 x 1/4 (SEMS) . . . . .	2	D															
11	50701A	. Arm - Throttle shaft . . . . .	1	D															
12	65935	. Spring - Throttle return . . . . .	1	D															
13	110055	. Screw - Fil hd 8-32 x 3/8 (SEMS) . . . . .	1	D															
14	55082	. Clip - Throttle shaft . . . . .	1	D															
15	65934	. Plate - Throttle . . . . .	1	D															
16	65932	. Shaft Assy - Throttle . . . . .	1	D															
17	84940	. Needle Assy - High speed adjustment . . . . .	1	D															
18	67502	. Spring - Needle . . . . .	2	D															
19	52937	. Washer - Packing . . . . .	2	D															
20	52938	. Ring - Packing . . . . .	2	D															
21	84939	. Needle - Idle adjustment . . . . .	1	D															
22	84947	. Body Assy - Carburetor . . . . .	1	D															
23	101796	. Pin - Choke plate . . . . .	1	D															
24	48827	. Plug - Choke shaft bore . . . . .	2	D															
25	55062A	. Bushing - Body . . . . .	2	D															
26	104728	. Screw - Lever pin . . . . .	1	D															
27	104305	. Pin - Lever . . . . .	1	D															
28	84317	. Lever - Inlet . . . . .	1	D															
29	57172	. Spring - Lever . . . . .	1	D															
30	83753	. Needle - Inlet valve . . . . .	1	D															
31	84942	. Screw - Circuit plate . . . . .	3	D															
32	84938	. Plate - Circuit . . . . .	1	D															
33	84944	. Diaphragm - Check valve . . . . .	1	D															
34	84945	. Gasket - Circuit plate . . . . .	1	D															
35	84946	. Gasket - Circuit plate . . . . .	1	D															

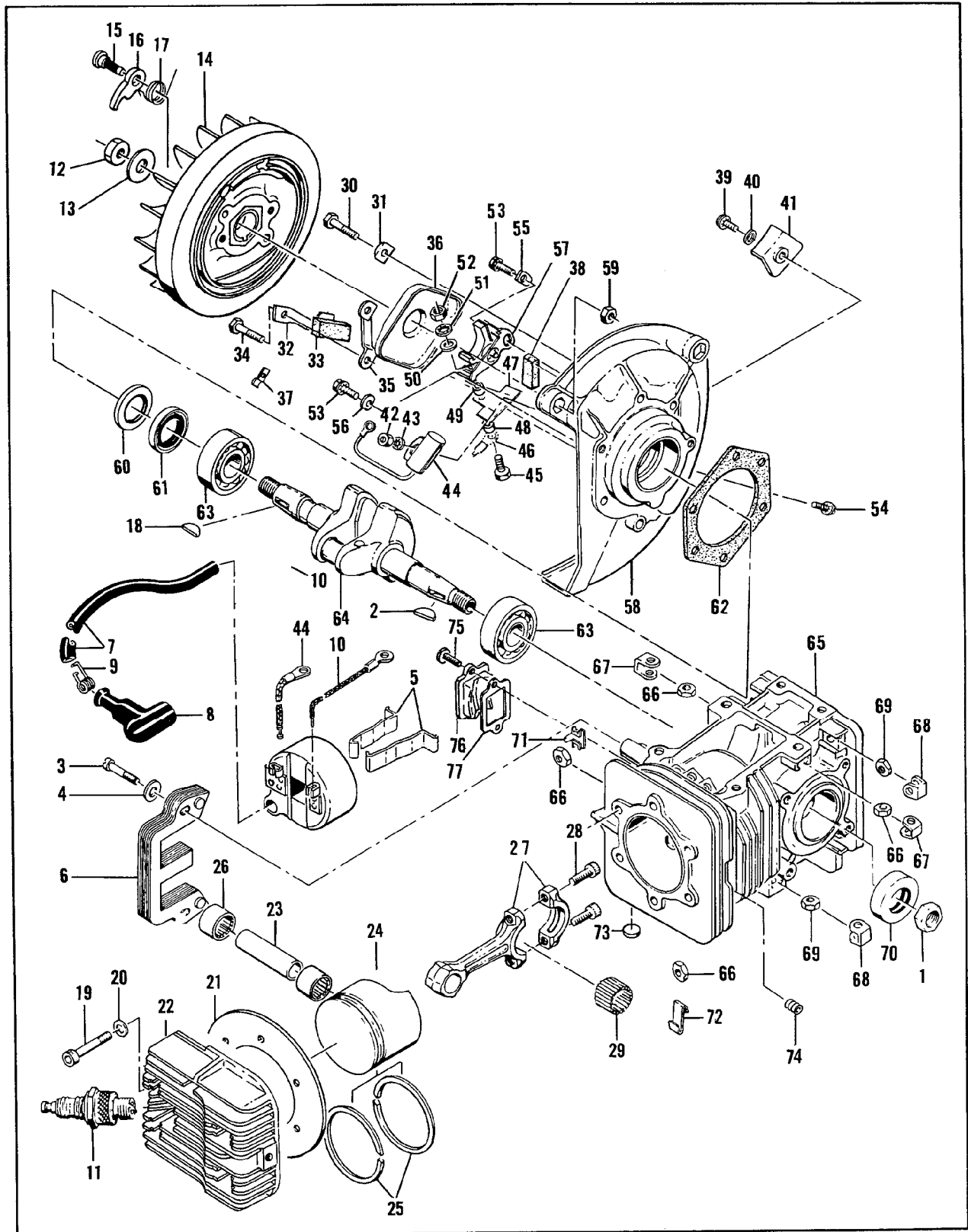


Figure 4. Powerhead Assembly



FIGURE 3. POWERHEAD ASSEMBLY

Item No.	Part Number	Description	Units Per Assy	Usable on Code															
MC 101 Series - Usable on Code																			
<table border="1" style="width: 100%; border-collapse: collapse;"> <thead> <tr> <th>Model</th> <th>101</th> <th>101</th> <th>101C</th> <th>101A</th> </tr> <tr> <th>Number</th> <th>A</th> <th>B</th> <th>C</th> <th>D</th> </tr> <tr> <th>Serial Numbers</th> <td>Without Prefix &amp; 10-</td> <td>Prefixed 11-</td> <td>Prefixed 13-</td> <td>Prefixed 14-</td> </tr> </thead> </table>					Model	101	101	101C	101A	Number	A	B	C	D	Serial Numbers	Without Prefix & 10-	Prefixed 11-	Prefixed 13-	Prefixed 14-
Model	101	101	101C	101A															
Number	A	B	C	D															
Serial Numbers	Without Prefix & 10-	Prefixed 11-	Prefixed 13-	Prefixed 14-															
1	103746	Nut - Hex 3/8-24 .....	1	All															
2	103879	Key - Woodruff .....	1	All															
3	104815	Screw - Hex hd 10-24 x 7/8 (SEMS) .....	2	All															
4	100352	Washer - #10 .....	2	All															
5	51253	Retainer - Coil .....	2	All															
6	51251	Lamination Assy - Coil .....	1	All															
	57643A	Kit - Coil .....	1	All															
7	50120	. Wire Assy - Spark plug .....	1	All															
8	55060	. . Boot .....	1	All															
9	55061	. . Connector .....	1	All															
10	101883	. Wire Assy - Ground .....	1	All															
11	83563	Spark Plug - 14 mm 0.375 in. reach .....	1	A,B,C															
	84536	Spark Plug - 14 mm 0.472 in. reach .....	1	D															
12	101179	Nut - Hex 7/16-20 .....	1	All															
13	101270	Washer - 7/16 .....	1	All															
14	68281	Flywheel Assy .....	1	A,B,D															
	68282	Flywheel & Pawl Assy .....	1	C															
15	36144B	. Pin - Starter pawl .....	2	C															
16	24093	. Pawl - Starter .....	2	C															
17	50582	. Spring - Pawl .....	2	C															
18	103879	Key - Woodruff .....	1	All															
19	47905	Screw - Skt hd 10-24 x 1-15/32 .....	6	All															
20	24236	Washer - Special .....	6	All															
21	69760	Gasket - Cylinder head .....	1	C															
	66038	Gasket - Cylinder head .....	1	A,B															
	84459	Gasket - Cylinder head (copper, no hole pattern) .	1	D															
22	66023	Head - Cylinder .....	1	A,B,C															
	84309	Head - Cylinder .....	1	D															
23	66034	Pin - Piston .....	1	A,B,C															
	69408	Pin - Piston .....	1	D															
24	67089	Piston Assy .....	1	A,B,C															
	84469	Piston Assy .....	1	D															
25	47865	. Ring Set - Piston .....	1	All															
26	110107	. Bearing - Needle .....	2	A,B,C															
	104519	. Bearing - Needle .....	2	D															
27	66049	Connecting Rod Assy .....	1	A,B,C															
	69250	Connecting Rod Assy .....	1	D															
28	47819A	. Screw - Skt hd special .....	2	All															
29	69891	. Roller - Needle .....	24	A,B,C															
	69891	. Roller - Needle .....	24	D															
30	102763	Screw - Hex hd 10-24 x 3/4 .....	2	All															
31	36388	Lockplate .....	1	All															
32	57815	Strap - Seal .....	1	All															
33	50664	Seal - Breaker box drain .....	1	All															
34	102763	Screw - Hex hd 10-24 x 3/4 .....	4	All															
35	55977	Clip - Breaker box cover .....	2	All															
36	55766B	Cover & Gasket Assy - Breaker box .....	1	All															
37	104230	Speednut .....	1	All															
38	54184	Wiper - Felt .....	1	All															
39	110055	Screw - Fil hd 8-32 x 3/8 (SEMS) .....	1	All															
40	100080	Washer - #8 .....	1	All															
41	57829	Clamp - Ignition wire .....	1	All															
42	100251	Nut - Hex 8-32 .....	1	All															
43	100057	Lockwasher - #8 .....	1	All															

FIGURE 4. POWERHEAD ASSEMBLY (CONT.)

Item No.	Part Number	Description	Units Per Assy	Usable on Code
44	50074	Condenser .....	1	All
45	110338	Screw - Hex hd 8-32 x 9/16 .....	1	All
46	57766	Wire Assy - Primary .....	1	All
47	55782A	Insulator - Wire .....	1	All
48	57769	Insulator - Screw .....	1	All
49	57770A	Insulator - Breaker spring .....	1	All
50	100080	Washer - #8 .....	1	All
51	104553	Lockwasher - #8 .....	1	All
52	104551	Nut - Hex 8-32 .....	1	All
53	104733	Screw - Fil hd 8-32 x 1/2 (SEMS) .....	2	All
54	103748	Screw - Hex hd 8-32 x 1/2 .....	1	All
55	57767A	Lockplate .....	1	All
56	55778E	Washer - Breaker retainer .....	1	All
57	57765B	Breaker Assy .....	1	All
58	47816A	Cover Assy - Crankcase .....	1	A, B, C
	84193	Cover Assy - Crankcase .....	1	D
59	101326	. Nut - Hex 10-24 .....	1	All
60	57898	. Seal - Oil .....	1	All
61	57897	. Seal - Oil .....	1	All
62	51240	Gasket - Cover .....	1	A, B, C
63	66016	Bearing - Ball .....	2	All
64	69346	Crankshaft .....	1	All
65	66019	Crankcase Assy .....	1	A, B, C
	84534	Crankcase Assy .....	1	D
66	101326	. Nut - Hex 10-24 .....	8	All
67	28053	. Retainer - Nut .....	2	All
68	18556A	. Retainer - Nut .....	6	All
69	101143	. Nut - Hex 1/4-20 .....	6	All
70	104432	. Seal - Oil .....	1	All
71	104255	. Retainer - Nut .....	2	All
72	57063	. Retainer - Nut .....	4	All
73	110340	. Plug - Expansion .....	3	All
74	83374	. Insert - Taplok .....	2	A, B, C
75	110196	Screw - Pan hd 8-32 x 7/16 s/t .....	1	A, B, C
76	65917	Cover - Boost port .....	1	A, B, C
77	68924	Gasket - Cover .....	1	A, B, C

**ACCESSORIES**

Part Number	Description	Usable on Code															
MC 101 Series - Usable on Code																	
	<table border="1" style="width: 100%; border-collapse: collapse;"> <thead> <tr> <th>Model</th> <th>101</th> <th>101</th> <th>101C</th> <th>101A</th> </tr> <tr> <th>Number</th> <th>A</th> <th>B</th> <th>C</th> <th>D</th> </tr> <tr> <th>Serial Numbers</th> <td>Without Prefix &amp; 10-</td> <td>Prefixed 11-</td> <td>Prefixed 13-</td> <td>Prefixed 14-</td> </tr> </thead> </table>	Model	101	101	101C	101A	Number	A	B	C	D	Serial Numbers	Without Prefix & 10-	Prefixed 11-	Prefixed 13-	Prefixed 14-	
Model	101	101	101C	101A													
Number	A	B	C	D													
Serial Numbers	Without Prefix & 10-	Prefixed 11-	Prefixed 13-	Prefixed 14-													
67091	Piston Assy 0.010 in. oversize .....	A,B,C															
84470	Piston Assy 0.010 in. oversize .....	D															
66048	. Ring Set 0.010 in. oversize .....	All															
67092	Piston Assy 0.020 in. oversize .....	A,B,C															
84473	Piston Assy 0.020 in. oversize .....	D															
66047	. Ring Set 0.020 in. oversize .....	All															
67093	Piston Assy 0.030 in. oversize .....	A,B,C															
84474	Piston Assy 0.030 in. oversize .....	D															
66045	. Ring Set 0.030 in. oversize .....	All															
84476	Piston Assy 0.050 in. oversize .....	D															
69469	. Ring Set 0.050 in. oversize .....	D															
83209	Kit - Piston tool .....	D															
84493	Kit - Rewind starter .....	D															
83207	Kit - Piston tool .....	A,B,C															
84760	Kit - Choke Installation .....	D															
48711D	Kit - Rewind starter .....	A,B,C															
13639A	Kit - Clutch, Drum, Sprocket Bearing Assy - 10 tooth .....	All															
13638A	Kit - Clutch, Drum, Sprocket, Bearing Assy - 11 tooth .....	All															
13637A	Kit - Clutch, Drum, Sprocket, Bearing Assy - 12 tooth .....	All															
48736A	Drum, Sprocket, Bearing Assy - 10 tooth .....	All															
48734A	Drum, Sprocket, Bearing Assy - 11 tooth .....	All															
48714A	Drum, Sprocket, Bearing Assy - 12 tooth .....	All															
48637	Sprocket - 10 tooth .....	All															
48638	Sprocket - 11 tooth .....	All															
48639	Sprocket - 12 tooth .....	All															
60315	Clutch Assy .....	All															
13553	Header - Exhaust .....	All															
65712	Guide - Timing .....	All															
48609	Header - Exhaust .....	All															
47908	Kit - Muffler .....	All															
48662	Kit - Mounting studs .....	All															
68959	Kit - Vertical tuned exhaust .....	All															
68960	Kit - Horizontal tuned exhaust .....	All															
66409	Kit - Hi capacity needle and valve .....	All															
68256	Kit - Split bearing retainer .....	All															
66793	Decal - Kart McCulloch Powered .....	All															
66794	Emblem - Kart McCulloch .....	All															
65946	Manual - Owners .....	All															

Illustrated Parts List, P/N 84478, supersedes and cancels all previous lists issued for MC 101 Series kart engines. Discard the following lists:  
IPL 66042 and

Parts List Sheet 66157 covering engines without serial number prefix and engines with serial numbers prefixed 10-.

Addendum 69814 covering engines with serial numbers prefixed 13-.

IPL 68910 covering engines with serial numbers prefixed 11-.