

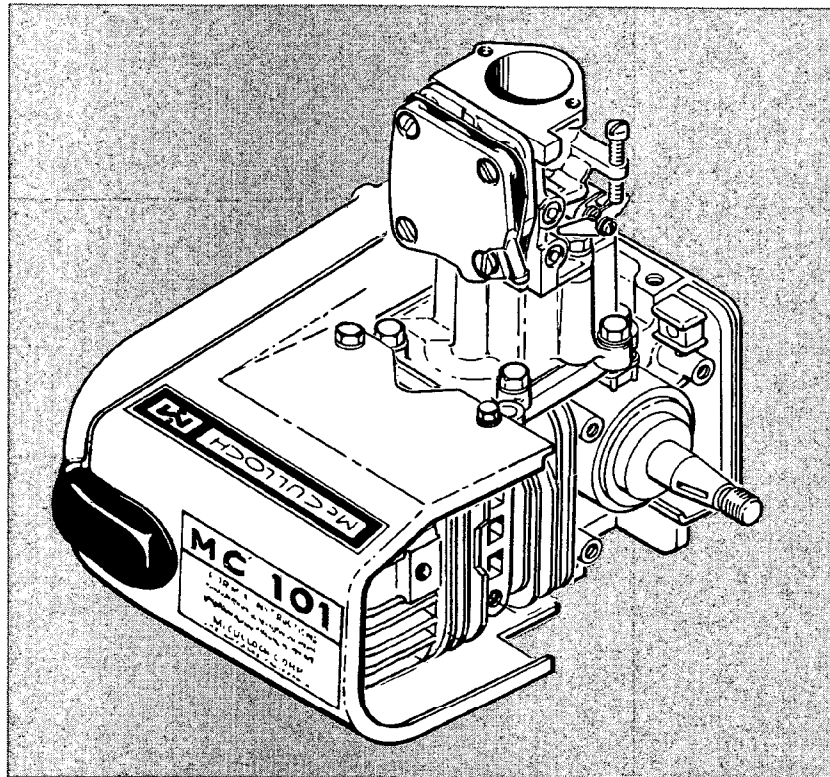
# Kart Engine

# MC 101

MODEL NO. 400170 SERIAL NOS. PREFIXED 11-

# ILLUSTRATED PARTS LIST

November 1968



The policy of McCulloch Corporation is one of continual improvement in design, manufacturing and engineering advancement wherever possible to assure still finer two-cycle power tools. Hence, specifications, equipment, colors, design and manufacturer's suggested list prices are subject to change without notice and McCulloch Corporation reserves the right to make such changes without prior notification or obligation to backfit or supply backfit components for units previously shipped from the factory.

	Page
Figure 1. Engine Exploded View - General . . . . .	2
Figure 2. Carburetor Assembly . . . . .	4
Figure 3. Powerhead Assembly . . . . .	6



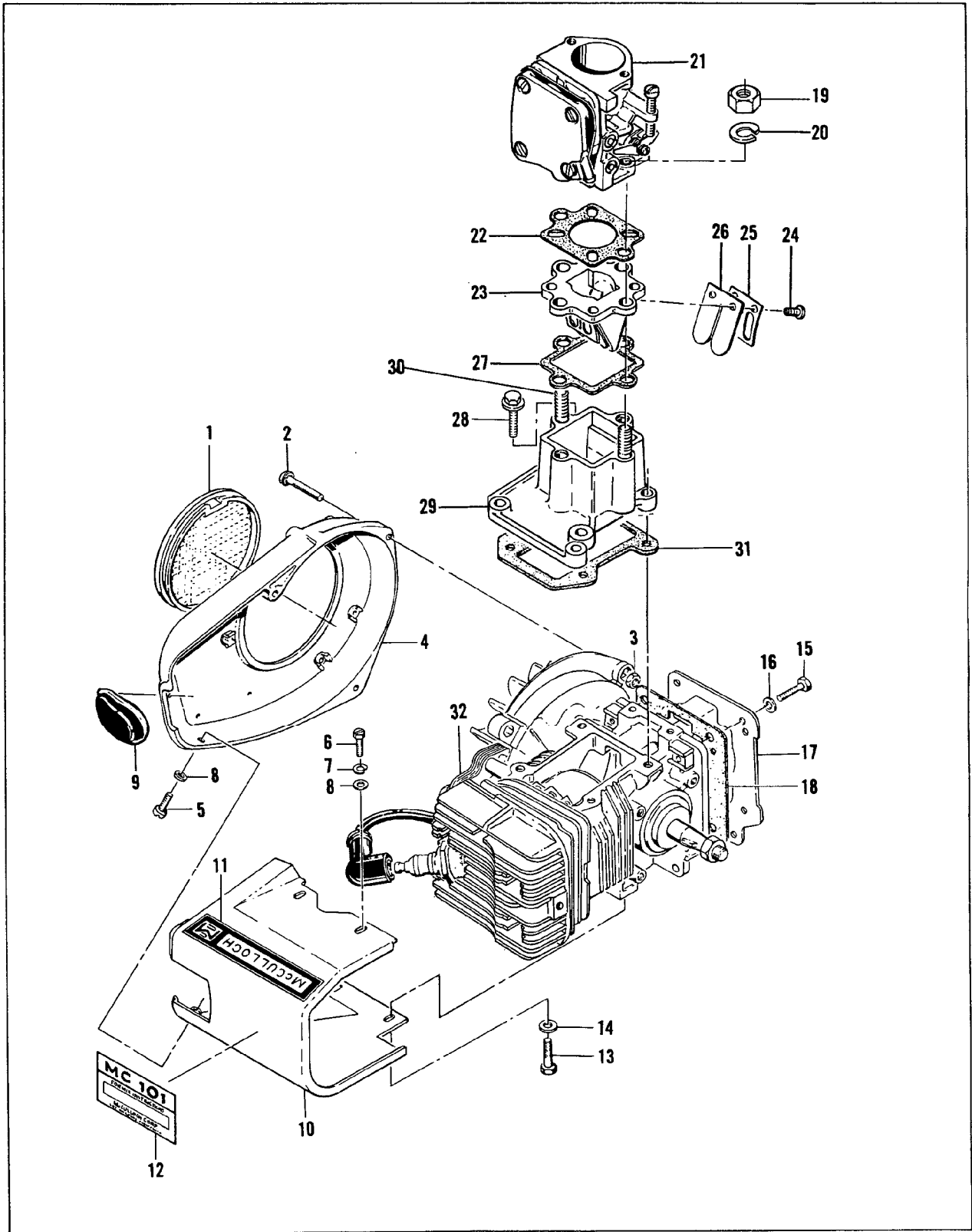


Figure 1. Engine Exploded View - General

FIGURE 1. ENGINE EXPLODED VIEW — GENERAL

Item No.	Description	Units Per Assy
1	55615 Guard	1
2	104816 Screw - Hex hd 10-24 x 1-1/4 (SEMS)	3
3	101326 Nut - Hex 10-24	2
4	47820 Fan Housing	1
5	102500 Screw - Pan hd 10-24 x 1/2	1
6	102762 Screw - Hex hd 10-24 x 1/2	1
7	101194 Lockwasher - #10	3
8	100002 Washer - #10	3
9	57565 Cover Assy - Spark plug	1
10	47904 Shroud - Cylinder	1
11	48588A . Nameplate	1
12	66039 Nameplate	1
13	100732 Screw - Hex hd 1/4-20 x 5/8	2
14	100005 Washer - 1/4	2
15	101982 Screw - Hex hd 1/4-20 x 1	4
16	13643 Washer - Special	4
17	47803 Cover - Crankcase bottom	1

Item No.	Description	Units Per Assy
18	65578 Gasket - Cover	1
19	100249 Nut - Hex 1/4-28	2
20	100153 Lockwasher - 1/4	2
21	Carburetor Assy (See Figure 2)	
22	65939 Gasket - Carburetor	1
23	- 68091 Valve Assy - Reed	1
24	103064 . Screw - Bind hd 4-40 x 1/8	4
25	65904 . Plate - Clamp	2
26	- 68074 . Valve - Reed	2
27	- 68894 Gasket - Reed valve	1
28	103947 Screw - Hex hd 10-24 x 1 (SEMS)	4
29	- 68889 Adapter Assy - Carburetor	1
30	47868 . Stud - Adapter	2
31	48516 Gasket - Adapter	1
32	Powerhead Assy (See Figure 3)	

Part numbers which have changed since the previous printing of the illustrated parts list covering these engines, are indicated by a dash (-) preceding the new part number.

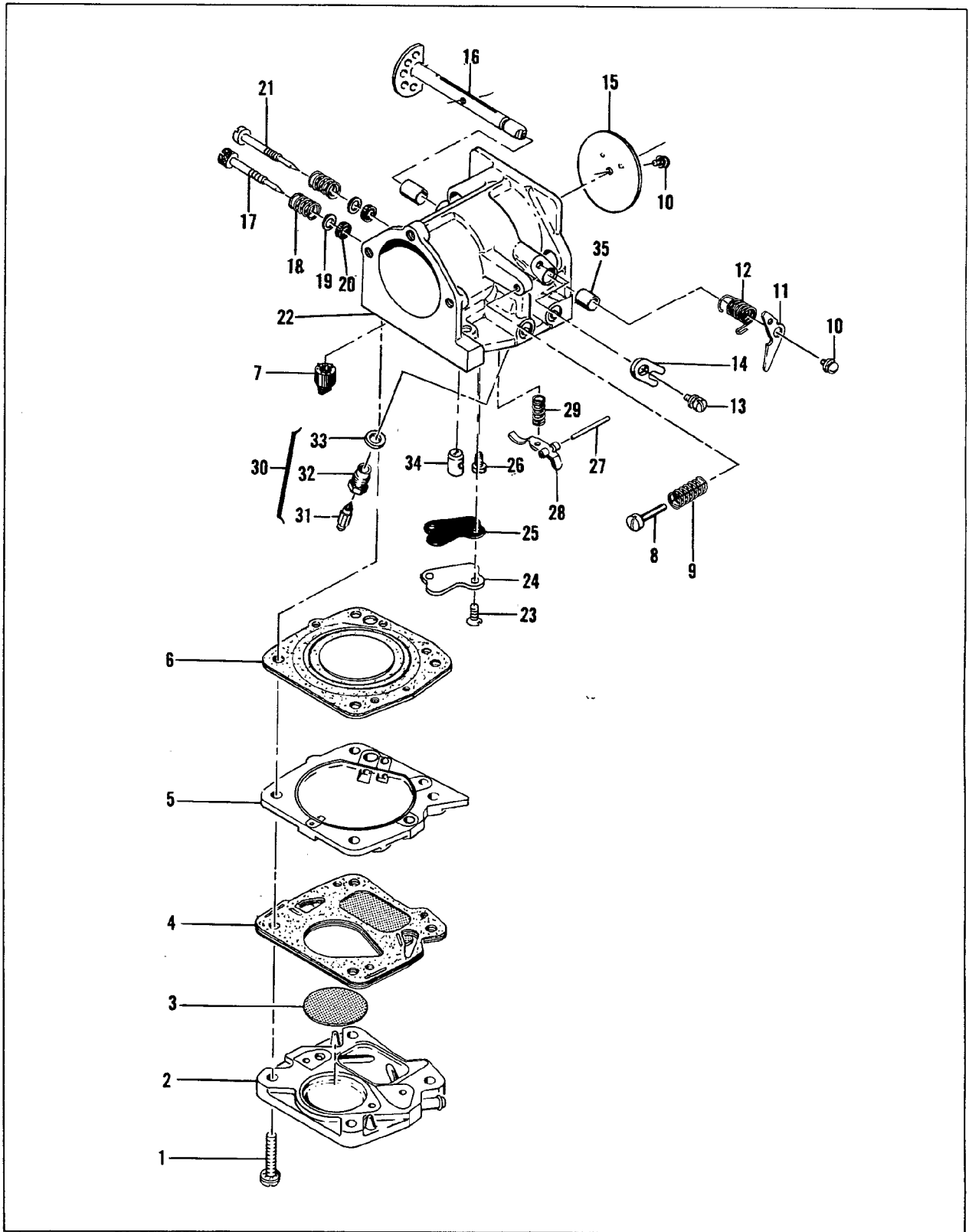


Figure 2. Carburetor Assembly

FIGURE 2. CARBURETOR ASSEMBLY

Item No.	Description	Units Per Assy
1	- 68886 Carburetor Assy 104520 . Screw - Pan hd 10-24 x 7/8 (SEMS)	1 4
2	- 69169 . Body - Fuel pump	1
3	48911 . Filter - Fuel pump	1
4	- 57274B . Diaphragm Assy - Fuel pump	1
5	- 69170 . Plate - Diaphragm	1
6	66092 . Diaphragm - Carburetor	1
7	53766A . Valve - Check	1
8	- 55397 . Screw - Idle speed adj.	1
9	- 51705 . Spring - Adj. screw	1
10	104814 . Screw - Pan hd 4-40 x 1/4 (SEMS)	2
11	50701A . Arm - Throttle shaft	1
12	65935 . Spring - Throttle return	1
13	110055 . Screw - Fil hd 8-32 x 3/8 (SEMS)	1
14	55082 . Clip - Shaft	1
15	65934 . Plate - Throttle	1
16	65932 . Shaft Assy - Throttle	1

Item No.	Description	Units Per Assy
17	- 68893 . Needle - Main adj.	1
18	52936 . Spring - Needle	2
19	52937 . Washer - Packing	2
20	52938 . Packing - Needle	2
21	- 67264 . Needle - Idle adj.	1
22	- 68907 . Body Assy - Carburetor	1
23	103460 . . Screw - Fl hd 4-40 x 1/4	2
24	66097 . . Cover - Capillary	1
25	66098 . . Gasket - Capillary cover	1
26	104728 . . Screw - Bind hd 6-32 x 1/4	1
27	104305 . . Pin - Lever	1
28	55688 . . Lever - Inlet control	1
29	- 57172 . . Spring - Lever	1
30	60163A . . Set - Needle and valve	1
31	63038 . . . Needle - Valve	1
32	58969 . . . Body - Valve	1
33	55689 . . . Washer - Valve	1
34	- 68890 . . Valve Assy - Check	1
35	55062A . . Bushing - Shaft	2

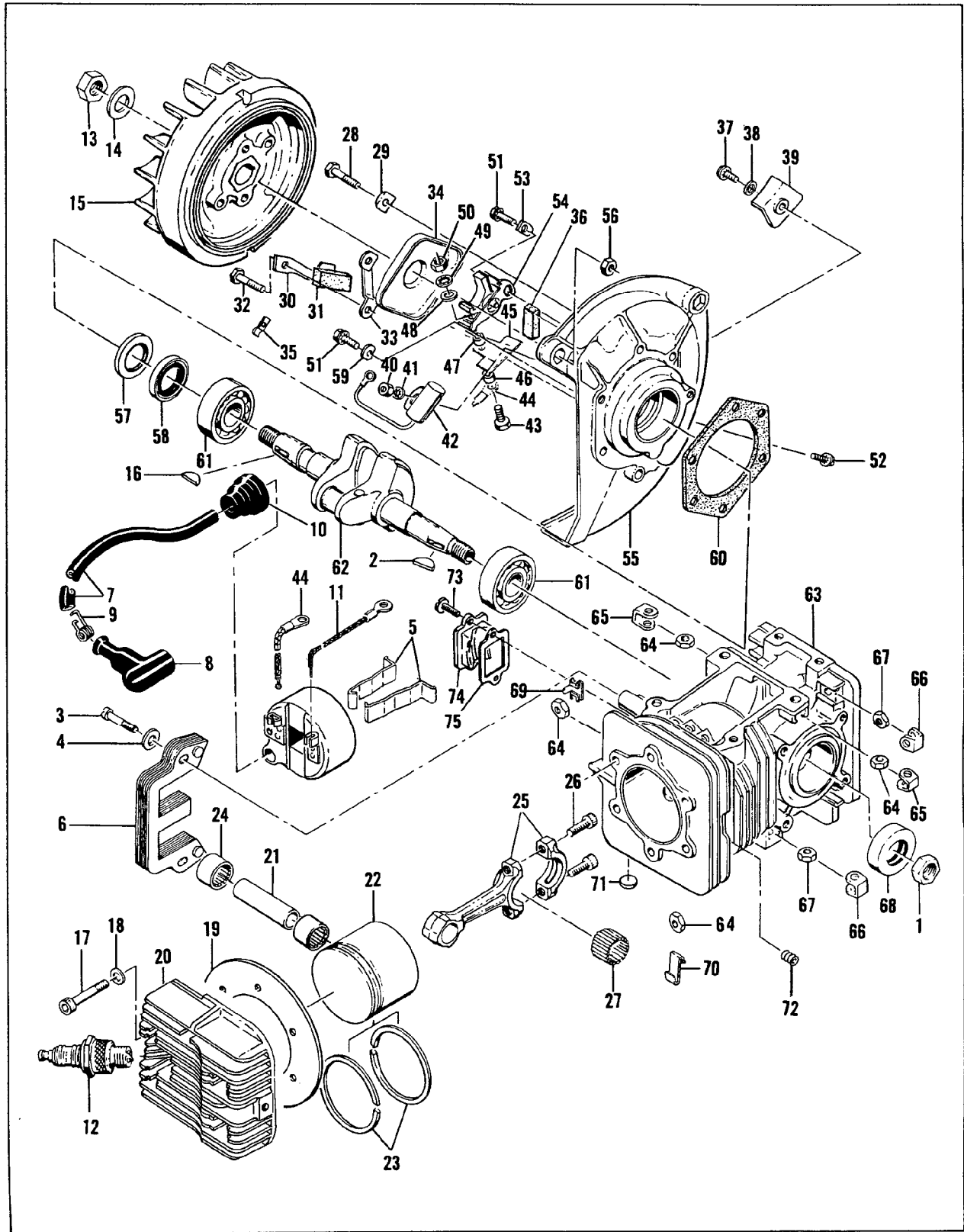


Figure 3. Powerhead Assembly

FIGURE 3. POWERHEAD ASSEMBLY

Item No.	Description	Units Per Assy
1	103746 Nut - Hex 3/8-24	1
2	103879 Key - Woodruff	1
3	104815 Screw - Hex hd 10-24 x 7/8	2
4	100352 Washer - #10	2
5	51253 Retainer - Coil	2
6	51251 Lamination Assy - Coil	1
	57643A Kit - Coil	1
7	57648 . Wire Assy - Spark plug	1
8	55060 . Boot - Spark plug	1
9	55061 . Connector - Spark plug wire	1
10	55617 . Nipple	1
11	101883 . Wire Assy - Ground	1
12	Spark Plug - 14 mm	1
13	101179 Nut - Hex 7/16-20	1
14	101270 Washer - 7/16	1
15	- 68281 Flywheel Assy	1
16	103879 Key - Woodruff	1
17	47905 Screw - Skt hd 10-24 x 1-15/32	6
18	24236 Washer - Special	6
19	66038 Gasket - Cylinder head	1
20	66023 Head - Cylinder	1
21	66034 Pin - Piston	1
22	- 67089 Piston Assy	1
23	47865 . Ring Set	1
24	110107 . Bearing - Needle	2
25	66049 Connecting Rod Assy	1
26	47819A . Screw - Skt hd 10-32 x 5/8	2
27	102742 . Roller - Needle	24
28	102763 Screw - Hex hd 10-24 x 3/4	2
29	36388 Plate - Lock	1
30	57815 Strap - Seal	1
31	50664 Seal - Breaker box chain	1
32	102763 Screw - Hex hd 10-24 x 3/4	4
33	55977 Clip - Breaker box cover	2
34	55766B Cover and Gasket Assy - Breaker	1
35	104230 Speednut	1
36	54184 Wiper - Felt	1
37	110055 Screw - Fil hd 8-32 x 3/8	1

Item No.	Description	Units Per Assy
38	100080 Washer - #8	1
39	57829 Clamp - Ignition wire	1
40	100251 Nut - Hex 8-32	1
41	100057 Lockwasher - #8	1
42	50074 Condenser	1
43	110338 Screw - Hex hd 8-32 x 9/16	1
44	57766 Wire Assy - Primary	1
45	55782A Insulator	1
46	57769 Insulator - Ignition screw	1
47	57770A Insulator - Breaker spring	1
48	100080 Washer - #8	1
49	104553 Lockwasher - #8	1
50	104551 Nut - Hex 8-32	1
51	104733 Screw - Fil hd 8-32 x 1/2 (SEMS)	2
52	- 103748 Screw - Hex hd 8-32 x 1/2	1
53	57767A Lockplate	1
54	57765B Breaker Assy	1
55	47816A Cover Assy - Crankcase	1
56	101326 . Nut - Hex 10-24	1
57	57898 . Seal - Oil	1
58	57897 . Seal - Oil	1
59	55778E . Washer - Breaker retainer	1
60	51240 Gasket	1
61	66016 Bearing - Ball	2
62	- 69346 Crankshaft	1
63	66019 Crankcase Assy	1
64	101326 . Nut - Hex 10-24	8
65	28053 . Retainer - Nut	2
66	18556A . Retainer - Nut	6
67	101143 . Nut - Hex 1/4-20	6
68	104432 . Seal - Oil	1
69	104255 . Retainer - Nut	2
70	57063 . Retainer - Nut	4
71	110340 . Plug - Expansion	3
72	110034 . Insert - Taplok	2
73	110196 Screw - Pan hd 8-32 x 7/16	2
74	65917 Cover - Boost port	1
75	- 68924 Gasket - Port cover	1

## ACCESSORIES

Item No.	Description
1	65946 Owner's Manual
2	- 67091 Piston Assy - 0.010 inch oversize
3	66048 . Ring Set - 0.010 inch oversize
4	- 67092 Piston Assy - 0.020 inch oversize
5	66047 . Ring Set - 0.020 inch oversize
6	- 67093 Piston Assy - 0.030 inch oversize
7	66045 . Ring Set - 0.030 inch oversize
8	13639A Kit - Clutch, Drum, Bearing, Spkt Assy - 10 Tooth
9	13638A Kit - Clutch, Drum, Bearing, Spkt Assy - 11 Tooth
10	13637A Kit - Clutch, Drum, Bearing, Spkt Assy - 12 Tooth
11	48736A Drum, Bearing, Spkt Assy - 10 Tooth
12	48734A Drum, Bearing, Spkt Assy - 11 Tooth

Item No.	Description
13	48714A Drum, Bearing, Spkt Assy - 12 Tooth
14	48637 Sprocket - 10 Tooth
15	48638 Sprocket - 11 Tooth
16	48639 Sprocket - 12 Tooth
17	48712A Clutch Assy
18	13553 Header - Exhaust
19	47908 Kit - Muffler
20	48711D Kit - Starter
21	48662 Kit - Mounting studs
22	65712 Timing Guide
23	48609 Header - Exhaust
24	- 68051 Kit - Piston service tool
25	- 68959 Kit - Vertical tuned exhaust
26	- 68960 Kit - Horizontal tuned exhaust
27	- 66409 Kit - Hi capacity needle & valve
28	- 68256 Kit - Split bearing retainer