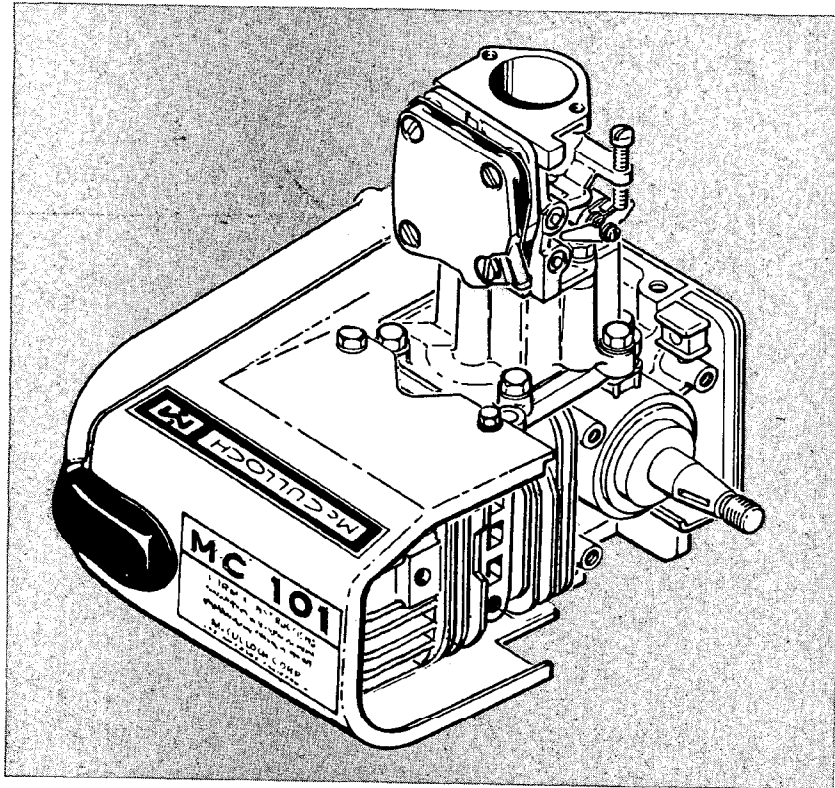


Kart Engine

MC 101

ILLUSTRATED PARTS LIST



February 1967

The following pages contain item-numbered illustrations and lists which give the description and the quantity of each service part for this model.

Part numbers of service parts will be found on the Parts List Sheet covering the serial number block of the specific model. Locate in this book the figure and item numbers of the parts in which you are interested. Then turn to the appropriate Parts List Sheet and following the figure and item numbers will be found the part number of the service part.

When changes in service parts occur, either in the illustration, part numbers or in quantity required, these differences will be explained or shown on the appropriate Parts List Sheet.

	Page
Figure 1. Engine Exploded View - General	2
Figure 2. Carburetor Assembly	4
Figure 3. Powerhead Assembly	6



McCULLOCH

COPYRIGHT 1967 U.S.A. - McCULLOCH CORPORATION

#66042

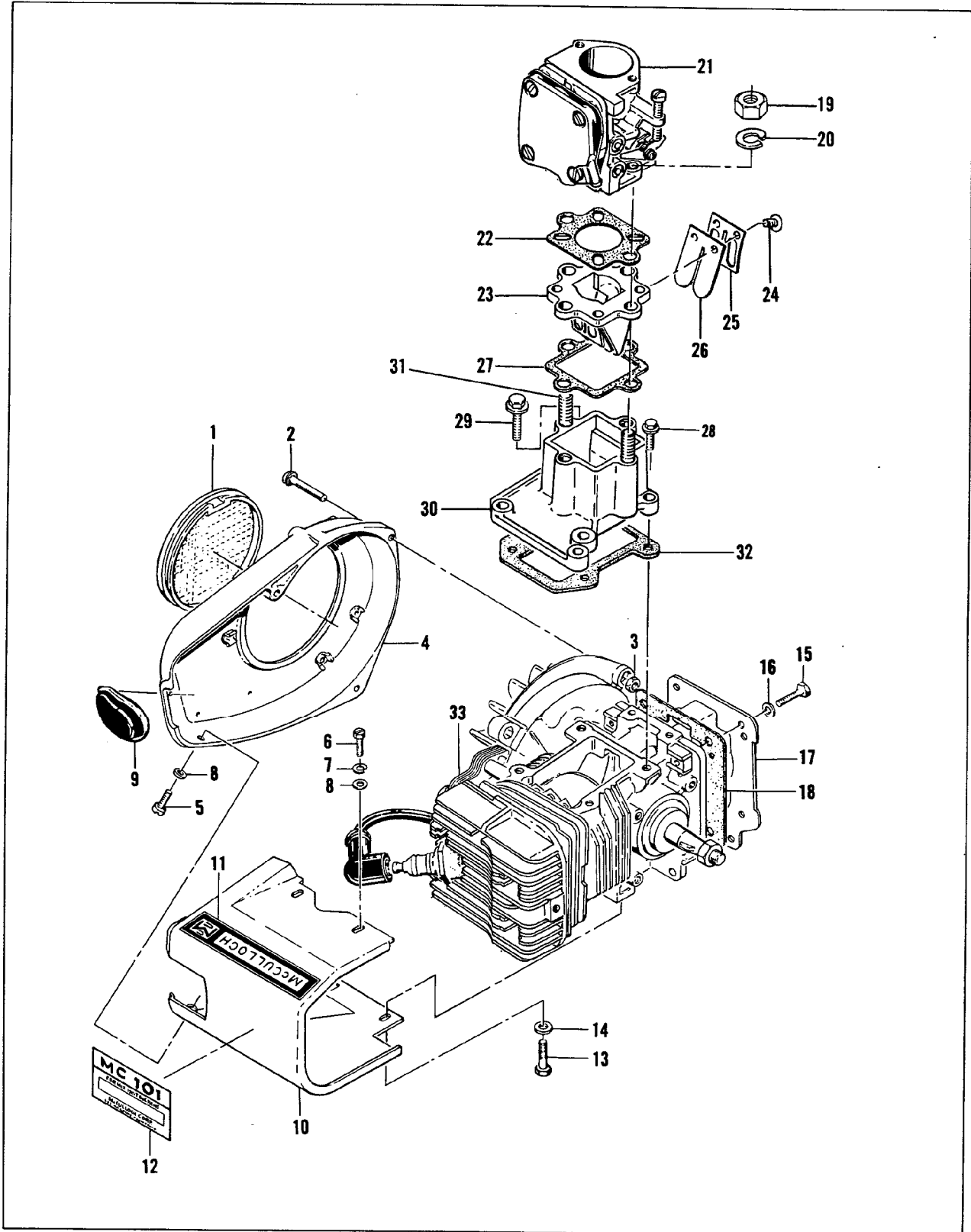


Figure 1. Engine Exploded View - General

FIGURE 1. ENGINE EXPLODED VIEW — GENERAL

Item No.	Description	Units Per Assy
1	Guard	1
2	Screw - 10-24 x 1-1/4 (Sems)	3
3	Nut - Hex 10-24	2
4	Housing - Fan	1
5	Screw - Pan hd 10-24 x 1/2	1
6	Screw - Hex hd 10-24 x 1/2	1
7	Lockwasher - #10	3
8	Washer - #10	3
9	Cover Assy - Spark plug	1
10	Shroud - Cylinder	1
11	. Nameplate - McCulloch	1
12	Nameplate	1
13	Screw - Hex hd 1/4-20 x 5/8	2
14	Washer - 1/4	2
15	Screw - Hex hd 1/4-20 x 1	4
16	Washer - Special	4
17	Cover - Crankcase bottom	1

Item No.	Description	Units Per Assy
18	Gasket - Crankcase bottom cover	1
19	Nut - Hex 1/4-28	2
20	Washer - Lock 1/4	2
21	Carburetor Assy (See Figure 2)	1
22	Gasket - Carburetor	1
23	Valve Assy - Reed	1
24	. Screw - Bind hd 4-40 x 1/8	4
25	. Plate - Clamp	2
26	. Valve - Reed	2
27	Gasket - Reed valve	1
28	Screw - Hex hd 10-24 x 1 (Sems)	3
29	Screw - Hex hd 10-24 x 7/8 (Sems)	1
30	Adapter Assy - Carburetor	1
31	. Stud - Adapter	2
32	Gasket - Manifold	1
33	Powerhead Assy (See Figure 3)	1

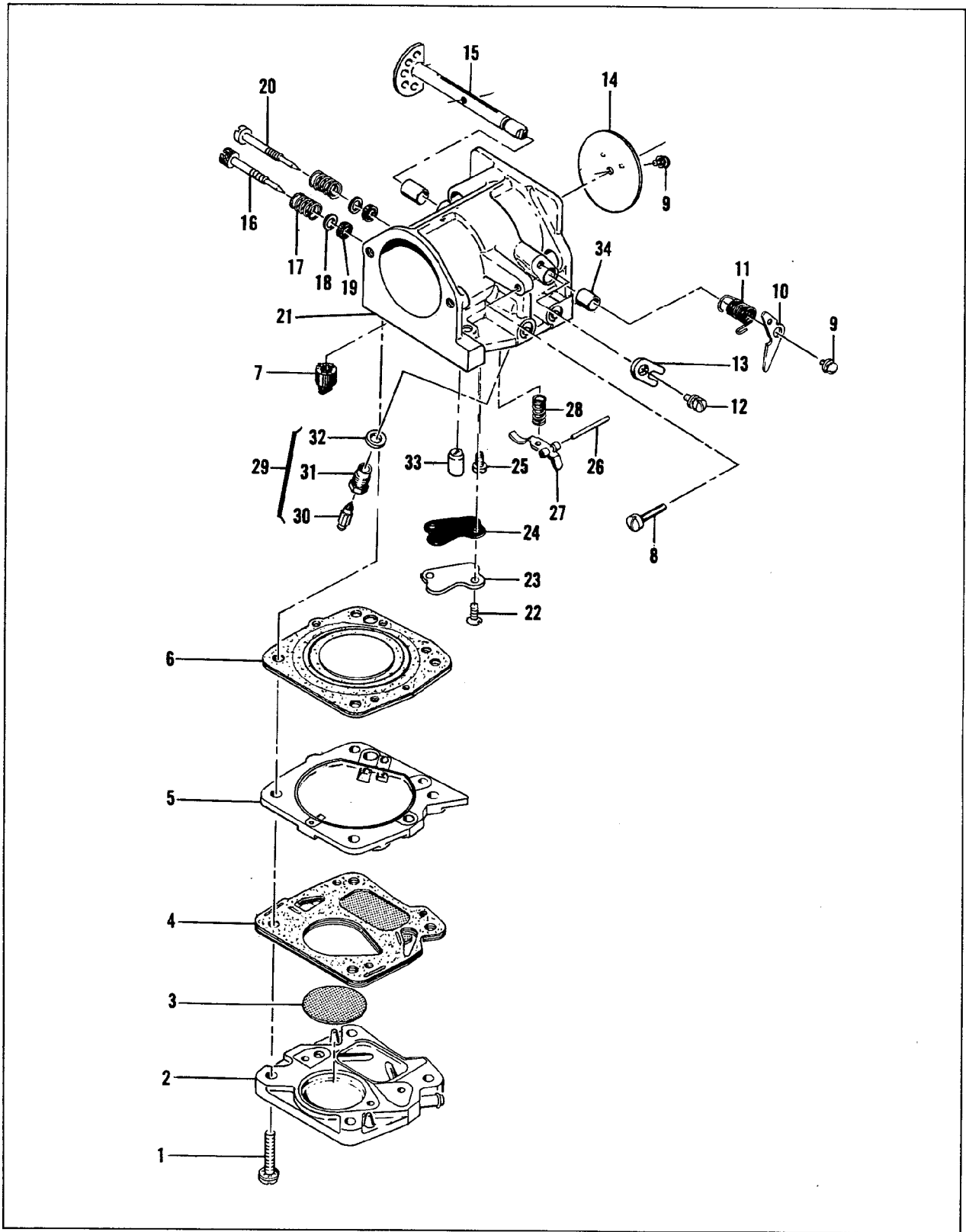


Figure 2. Carburetor Assembly

FIGURE 2. CARBURETOR ASSEMBLY

Item No.	Description	Units Per Assy
	Carburetor Assy	1
1	. Screw - Pan hd 10-24 x 7/8 (Sems)	4
2	. Body - Fuel pump	1
3	. Filter - Fuel pump	1
4	. Diaphragm Assy - Fuel pump	1
5	. Plate - Diaphragm	1
6	. Diaphragm - Carburetor	1
7	. Valve - Check	1
8	. Screw - Idle adjustment	1
9	. Screw - 4-40 x 1/4 (Sems)	2
10	. Arm - Throttle shaft	1
11	. Spring - Throttle return	1
12	. Screw - 8-32 x 3/8 (Sems)	1
13	. Clip - Shaft	1
14	. Plate - Throttle	1
15	. Shaft Assy - Throttle	1
16	. Needle - Main adjustment	1
17	. Spring - Needle	2

Item No.	Description	Units Per Assy
18	. Washer - Packing	2
19	. Packing - Needle	2
20	. Needle - Idle adjustment	1
21	. Body Assy - Carburetor	1
22	. . Screw - Fl hd 4-40 x 1/4	2
23	. . Cover - Capillary	1
24	. . Gasket - Capillary cover	1
25	. . Screw - Bind hd 6-32 x 1/4	1
26	. . Pin - Lever	1
27	. . Lever - Inlet control	1
28	. . Spring - Inlet lever	1
29	. . Set - Needle and valve	1
30	. . . Needle - Valve	1
31	. . . Body - Valve	1
32	. . . Washer - Valve	1
33	. . Valve Assy - Check	1
34	. . Bushing - Shaft	2

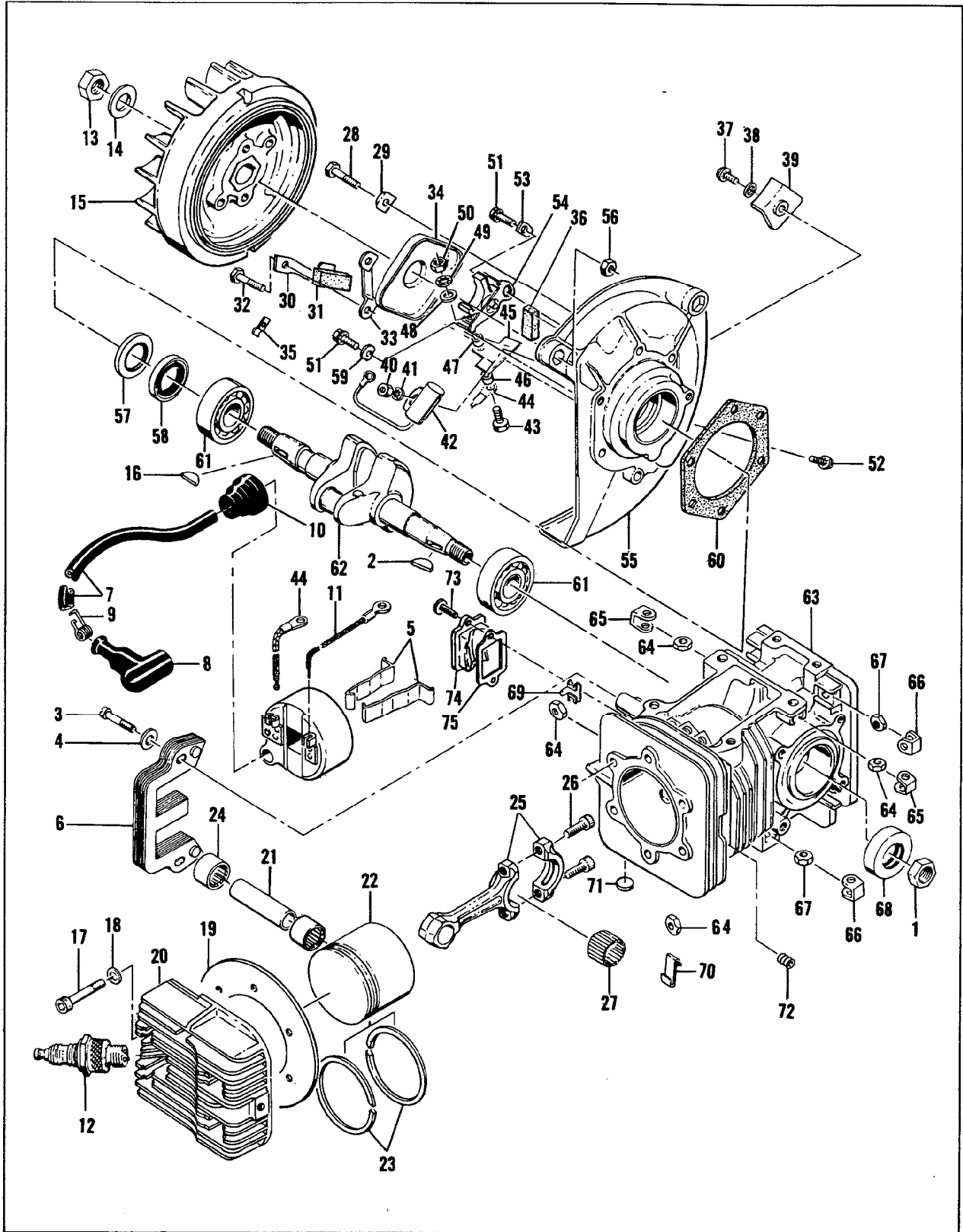


Figure 3. Powerhead Assembly

FIGURE 3. POWERHEAD ASSEMBLY

Item No.	Description	Units Per Assy
1	Nut - Hex 3/8-24	1
2	Key - Woodruff	1
3	Screw - Hex hd 10-24 x 7/8	2
4	Washer - #10	2
5	Retainer - Coil	2
6	Lamination Assy - Coil Kit - Coil	1
7	. Wire Assy - Spark plug	1
8	. Boot - Spark plug	1
9	. Connector - Spark plug wire	1
10	. Nipple	1
11	. Wire Assy - Ground	1
12	Spark Plug - 14 mm	1
13	Nut - Hex 7/16-20	1
14	Washer - Plain 7/16 in.	1
15	Flywheel Assy	1
16	Key - Woodruff	1
17	Screw - Skt hd 10-24 x 1-15/32	6
18	Washer - Special	6
19	Gasket - Cylinder head	1
20	Head - Cylinder	1
21	Pin - Piston	1
22	Piston Assy - Standard size	1
23	. Ring Set - Piston standard size	1
24	. Bearing - Needle	2
25	Connecting Rod Assy	1
26	. Screw - Skt hd 10-32 x 5/8	2
27	. Roller - Needle	24
28	Screw - Hex hd 10-24 x 3/4	2
29	Plate - Lock	1
30	Strap - Seal	1
31	Seal - Breaker box drain	1
32	Screw - Hex hd 10-24 x 3/4	4
33	Clip - Breaker box cover	2
34	Cover and Gasket Assy - Breaker box	1
35	Speednut	1
36	Wiper - Felt	1
37	Screw - Fil hd 8-32 x 3/8 (Sems)	1

Item No.	Description	Units Per Assy
38	Washer - Plain #8	1
39	Clamp - Ignition wire	1
40	Nut - Hex 8-32	1
41	Lockwasher - #8	1
42	Condenser	1
43	Screw - Hex hd 8-32 x 9/16	1
44	Wire Assy - Primary	1
45	Insulator	1
46	Insulator - Ignition screw	1
47	Insulator - Breaker spring	1
48	Washer - Plain #8	1
49	Lockwasher - #8	1
50	Nut - Hex 8-32	1
51	Screw - Fil hd 8-32 x 1/2 (Sems)	2
52	Screw - Fil hd 8-32 x 1/2 (Sems)	1
53	Lockplate	1
54	Breaker Assy	1
55	Cover Assy - Crankcase	1
56	. Nut - Hex 10-24	1
57	. Seal - Oil	1
58	. Seal - Oil	1
59	. Washer - Breaker retainer	1
60	Gasket	1
61	Bearing - Ball	2
62	Crankshaft	1
63	Crankcase Assy - Cylinder	1
64	. Nut - Hex 10-24	8
65	. Retainer - Nut	2
66	. Retainer - Nut	6
67	. Nut - Hex 1/4-20	6
68	. Seal - Oil	1
69	. Retainer - Nut	2
70	. Retainer - Nut	4
71	. Plug - Expansion .560 dia.	3
72	. Insert - Taplok	2
73	Screw - Pan hd 8-32 x 7/16	2
74	Cover - Boost port	1
75	Gasket - Port cover	1

ACCESSORIES

Item No.	Description
1	Owner's Manual
2	Piston Assy - 0.010-inch oversize
3	. Ring Set - 0.010-inch oversize
4	Piston Assy - 0.020-inch oversize
5	. Ring Set - 0.020-inch oversize
6	Piston Assy - 0.030-inch oversize
7	. Ring Set - 0.030-inch oversize
8	Clutch, Drum, Bearing & Sprocket Assy - 10 tooth
9	Clutch, Drum, Bearing & Sprocket Assy - 11 tooth
10	Clutch, Drum, Bearing & Sprocket Assy - 12 tooth
11	Drum, Bearing & Sprocket Assy - 10 tooth

Item No.	Description
12	Drum, Bearing & Sprocket Assy - 11 tooth
13	Drum, Bearing & Sprocket Assy - 12 tooth
14	. Bearing - Clutch drum
15	. Spacer - Sprocket
16	Sprocket - 10 tooth
17	Sprocket - 11 tooth
18	Sprocket - 12 tooth
19	Clutch Assy
20	Header - Exhaust (Tuned)
21	Kit - Muffler
22	Kit - Starter
23	Kit - Mounting studs
24	Timing Guide
25	Header - Exhaust

