



McCulloch

MODEL **MC10** ENGINE

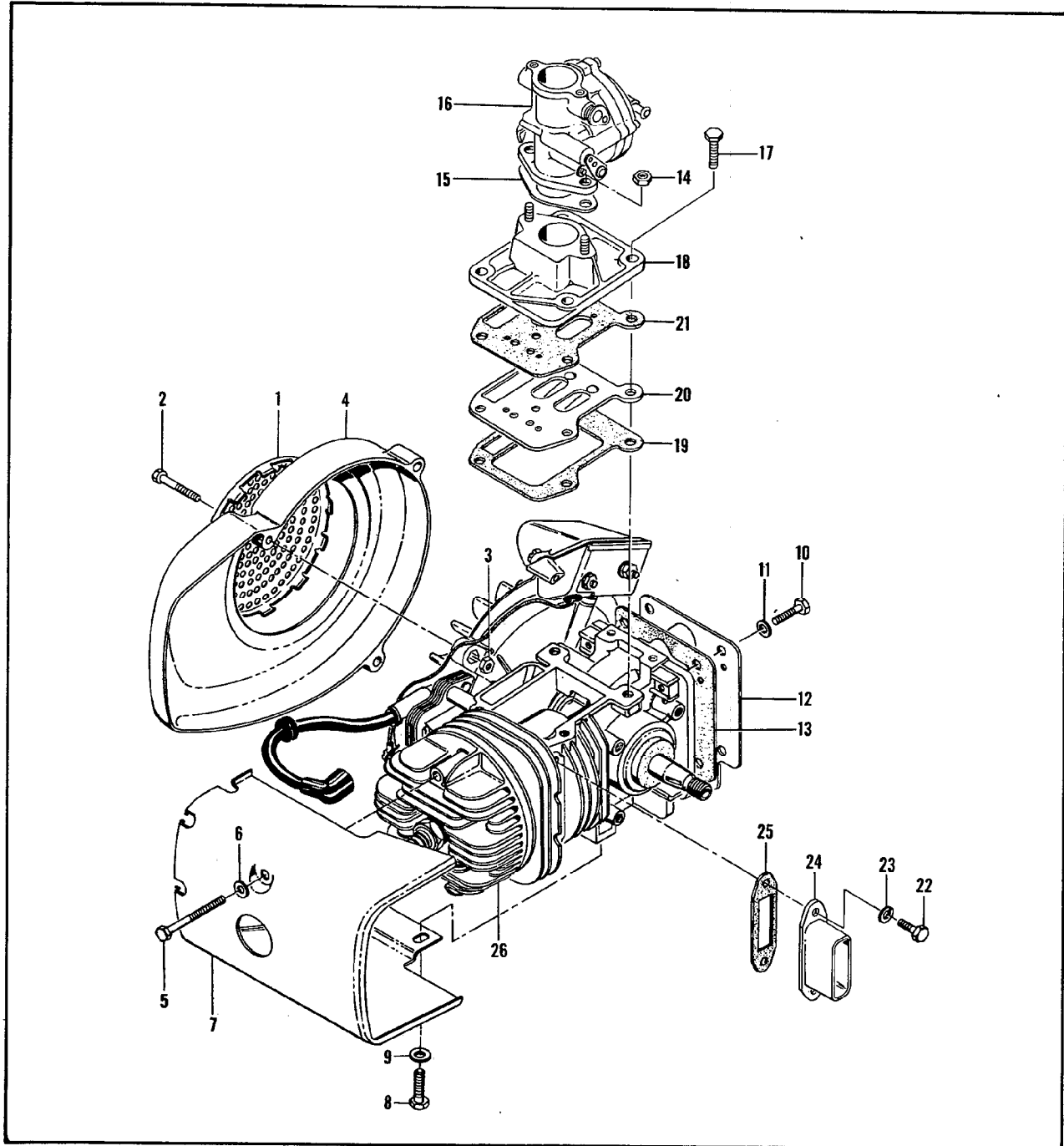


Figure 1. Engine Assembly, Model MC10 Engine

Index No.	Part Number	Nomenclature	Units Per Assy
<b>ENGINE ASSEMBLY, MODEL MC10 ENGINE</b>			
1-1	51207	Guard - Sawdust .....	1
-2	103858	Screw - 10-24 x 1-1/4 in. lg (Sems) .....	3
-3	101191	Nut - Hex 10-24 .....	2
-4	51228A	Housing - Fan .....	1
-5	102586	Screw - Hex hd 10-24 x 2 in. lg .....	1
-6	102189	Washer - No. 10 .....	1
-7	48617	Shroud, Cylinder .....	1
-8	100732	Screw - Hex hd 1/4-20 x 5/8 in. lg .....	2
-9	100005	Washer .....	2
-10	100882	Screw - Hex hd 1/4-20 x 3/4 in. lg .....	4
-11	100005	Washer .....	4
-12	51789B	Bottom - Crankcase .....	1
-13	48648	Gasket - Crankcase Bottom .....	1
-14	100249	Nut - Hex 1/4-28 .....	2
-15	55252B	Gasket - Carburetor .....	1
-16	50070C	Carburetor Assy .....	1
-17	103947	Screw - 10-24 x 1 in. lg .....	4
-18	48608	Manifold Assy - Intake .....	1
-19	48605	Gasket - Plate .....	1
-20	48603	Plate Assy - Reed valve .....	1
-21	48604	Gasket - Manifold .....	1
-22	102388	Screw - Hex hd 10-24 x 5/8 in. lg .....	2
-23	103100	Washer - Lock .....	2
-24	48609	Header - Exhaust .....	1
-25	36093	Gasket - Muffler .....	1
-26		Powerhead Assy .....	1

Index No.	Part Number	Nomenclature	Units Per Assy
<b>POWERHEAD ASSEMBLY, MODEL MC10 ENGINE</b>			
2-1	101965	Screw - Fil hd 10-24 x 7/8 in. lg .....	2
-2	100003	Washer .....	2
-3	51992	Sleeve - Vinyl .....	2
-4	51251	Lamination Assy .....	1
-5	51253	Retainer - Coil .....	2
-6	51494	Coil and Terminal Assy .....	1
-7		Spark plug .....	1
-8	101179	Nut - Hex 7/16 .....	1
-9	101270	Washer .....	1
-10	51203C	Flywheel and Protector Assy .....	1
-11	100199	Key - Woodruff #3 .....	1
-12	55585	Shield - Felt dirt .....	1
-13	103859	Screw - Fil hd 10-24 x 3/4 in. lg .....	2
-14	51299A	Cover - Breaker box .....	1
-15	51242	Gasket - Breaker box .....	1
-16	103061	Screw - Fil hd 8-32 x 3/8 in. lg .....	1
-17	100075	Condenser .....	1
-18	103061	Screw - Fil hd 8-32 x 3/8 in. lg .....	1
-19	51959	Spring - Condenser .....	1
-20	103934	Screw - Rd hd 6-32 x 1/4 in. lg .....	1
-21	51492A	Wire Assy - Primary .....	1
-22	101230	Grommet .....	1
-23	51851	Wire Assy - Spark plug .....	1
-24	101883	Wire Assy - Ground .....	1
-25	100268	Grommet .....	1
-26	52064	Wire Assy - Primary .....	1

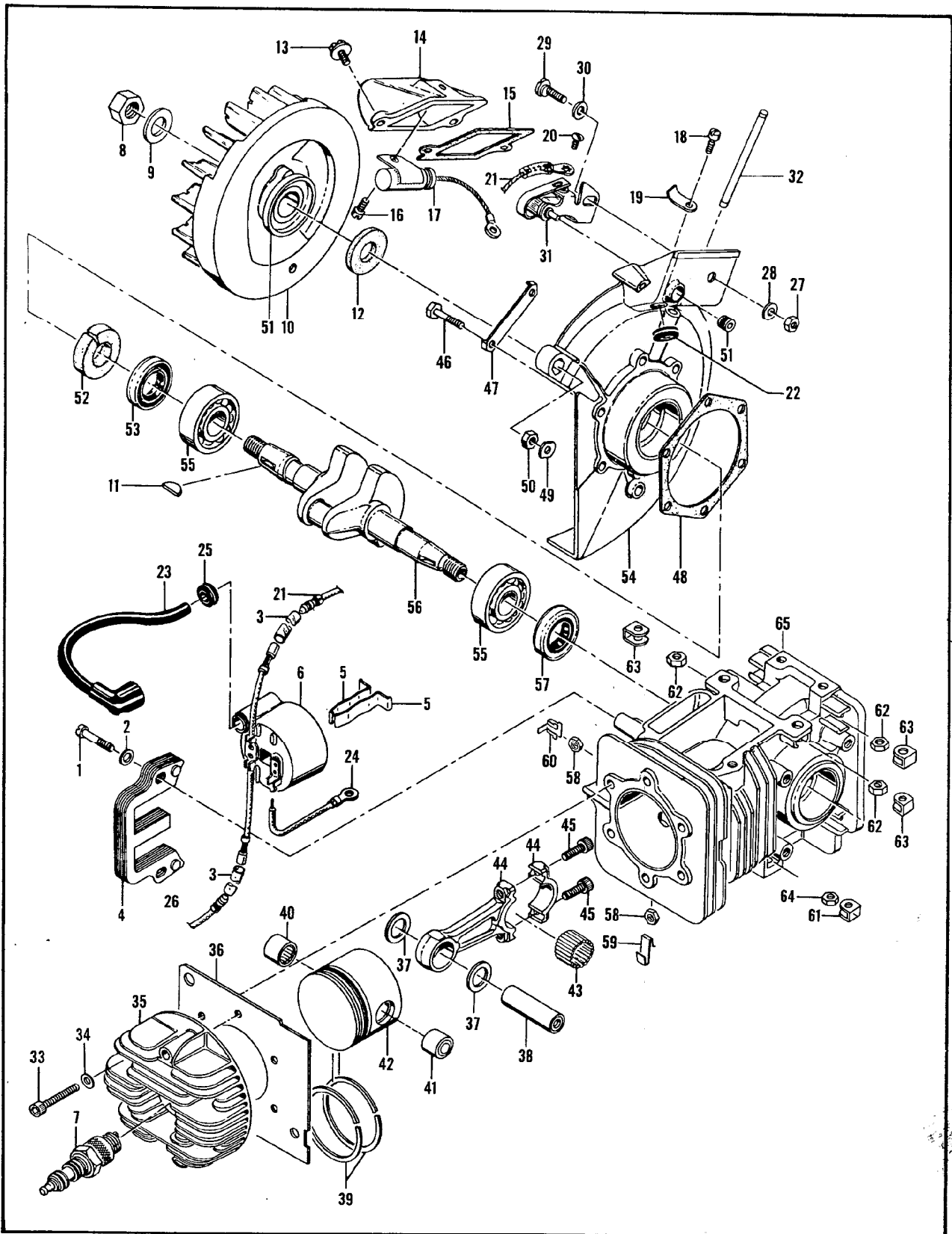


Figure 2. Powerhead Assembly, Model MC10 Engine

Index No.	Part Number	Nomenclature	Units Per Assy
POWERHEAD ASSEMBLY, MODEL MC10 ENGINE (continued)			
2-27	101326	Nut - Hex 10-24 .....	1
-28	100003	Washer .....	1
-29	24626	Screw - Eccentric .....	1
-30	100007	Washer .....	1
-31	51958	Breaker Assy .....	1
-32	52506	Pushrod .....	1
-33	101563	Screw - Socket hd 10-24 x 1-1/4 in. lg .....	5
-34	24236	Washer - Special .....	5
-35	51224	Head - Cylinder .....	1
-36	55012B	Gasket Cylinder head .....	1
-37	51209	Washer - Thrust .....	2
-38	57198	Pin - Piston .....	1
	55310A	Piston Assy .....	1
-39	55123	. Ring - Piston (Set of 2 rings - Chrome top ring) .....	1
-40	101206	. Bearing - Needle .....	1
-41	104378	. Bearing - Needle (closed end) .....	1
-42		. Piston .....	Order Piston Assembly #55310A
	55009	Connecting Rod Assy .....	1
-43	102742	. Roller - Needle .....	24
-44		. Rod - Connecting .....	Order #55009
-45	101356	. Screw - Socket hd 10-32 x 5/8 in. lg .....	2
-46	102763	Screw - Hex hd 10-24 x 3/4 in. lg .....	6
-47	51297	Lock plate .....	3
-48	51240	Gasket .....	1
-49	28935	Retainer - Nut .....	1
-50	101191	Nut - Hex 10-24 .....	1
-51	51960	Bushing .....	1
-52	36302	Felt - Oiler Rod .....	1
-53	102940	Seal - Oil .....	1
-54	52489E	Cover - Crankcase .....	1
-55	100824	Bearing - Ball .....	2
-56	55257	Crank shaft .....	1
-57	102940	Seal - Oil .....	1
-58	101326	Nut - Hex 10-24 .....	6
-59	57063	Retainer - Nut .....	4
-60	104255	Retainer - Nut .....	2
-61	28053	Retainer - Nut .....	2
-62	101143	Nut - Hex 1/4-20 .....	6
-63	18556A	Retainer - Nut .....	6
-64	101326	Nut - Hex 10-24 .....	2
-65	48612A	Crankcase Assy .....	1