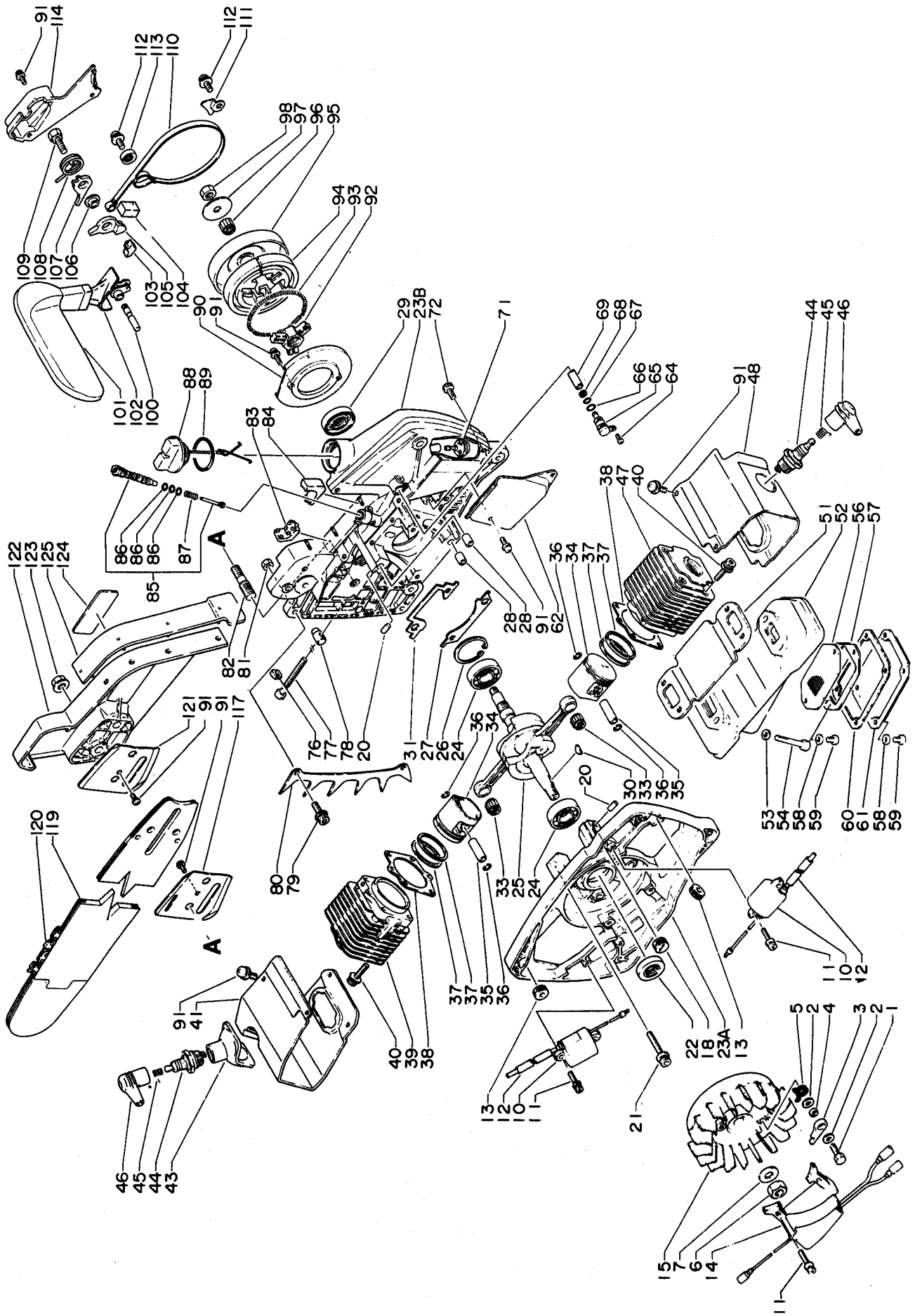




**PARTS CATALOGUE**

**ECHO  
TWIN CYLINDER  
CHAIN SAW  
CST-600EVL**





Key No.	Part No.	Q'ty	Description	Key No.	Part No.	Q'ty	Description
1-	1	2	Bolt 5 x 16	1-	67	1	O-ring 6
	2	4	Washer 5		68	1	Clip
	3	2	Ratchet		69	1	Oil pipe
	4	2	Spacer		71	1	Oil strainer
	5	2	Spring, ratchet		72	2	H.S.H. bolt 5 x 10
	6	1	Nut		76	1	Clip
	7	1	Lock washer		77	1	Adjusting screw
	10	2	Ignition coil		78	1	Tensioner
	11	6	H.S.H. bolt 4 x 18		79	2	H.S.H. bolt 5 x 14
	12	2	Tube		80	1	Spike
	13	2	Grommet		81	2	Nut 5
	14	1	C.D. Ignition module		82	2	Stud
	15	1	Roter		83	1	Side cushion (F)
	18	1	Grommet		84	1	Side cushion (R)
	21	4	H.S.H. bolt 5 x 35		<b>85</b>	<b>1</b>	<b>Auto, oiler ass'y</b>
	22	1	Oil seal		86	3	O-ring
<b>23</b>	<b>100 200-1603 0</b>	<b>1</b>	<b>Crankcase set</b>		87	1	Coil spring
	20	4	Knock		<b>88</b>	<b>1</b>	<b>Cap ass'y, oil tank</b>
	28	2	Knock		89	1	O-ring 25
	24	2	Ball bearing 6202		90	1	Seal plate
	<b>25</b>	<b>1</b>	<b>Crank shaft ass'y</b>		91	15	Screw 4 x 10
	26	1	Circuit 35		*	<b>1</b>	<b>Clutch ass'y</b>
	27	1	Gasket, crankcase (L)		92	1	Boss, clutch
	29	1	Oil seal		93	1	Spring, clutch
	30	1	Woodruff key		94	3	Shoe, clutch
	31	1	Gasket, crankcase (U)		95	1	Clutch case 3/8
	33	2	Needle bearing		96	1	Needle bearing
	34	2	Piston		97	1	Washer
	35	2	Piston pin		98	1	Lock nut (L)
	36	4	Circlip		**	<b>1</b>	<b>Chain brake ass'y</b>
	37	4	Piston ring		91	3	Screw 4 x 10
	38	2	Gasket, cylinder		100	1	Pivot
	39	1	Cylinder, front		101	1	Brake handle
	40	8	H.S.H. bolt 5 x 20		102	1	Cover
	41	1	Cover, cylinder (F)		103	1	Reset, brake
	43	1	Cap, cylinder cover		104	1	Dust seal
	44	2	Spark plug BPM7A		105	1	Connector
	45	2	Coil spring		106	1	Spacer
	46	2	Cap, spark plug		107	1	Stopper
	47	1	Cylinder, rear		108	1	Spring
	48	1	Cover, cylinder (R)		109	1	Bolt
	51	1	Gasket, muffler		110	1	Brake band
	52	1	Muffler		111	1	Retainer
	53	4	Washer		112	2	Screw 5 x 10
	54	4	H.S.H. bolt 5 x 38		113	1	Adjuster
	56	1	Screen		114	1	Cover
	57	1	Screen holder		117	1	Side plate
	58	6	Lock washer 5		119	1	Guide bar 50RS50-3/8E
	59	6	Screw 5 x 8		120	1	Chain 72DP-72E
	60	1	Gasket		121	1	Side plate
	61	1	Lid, muffler		122	1	Cover, guide bar
	62	1	Plate		123	2	Flange nut
	64	1	Screw 3 x 8		124	1	Decal, ECHO
	65	1	Connector		125	1	Isolater
	66	1	O-ring 7				

Remarks:

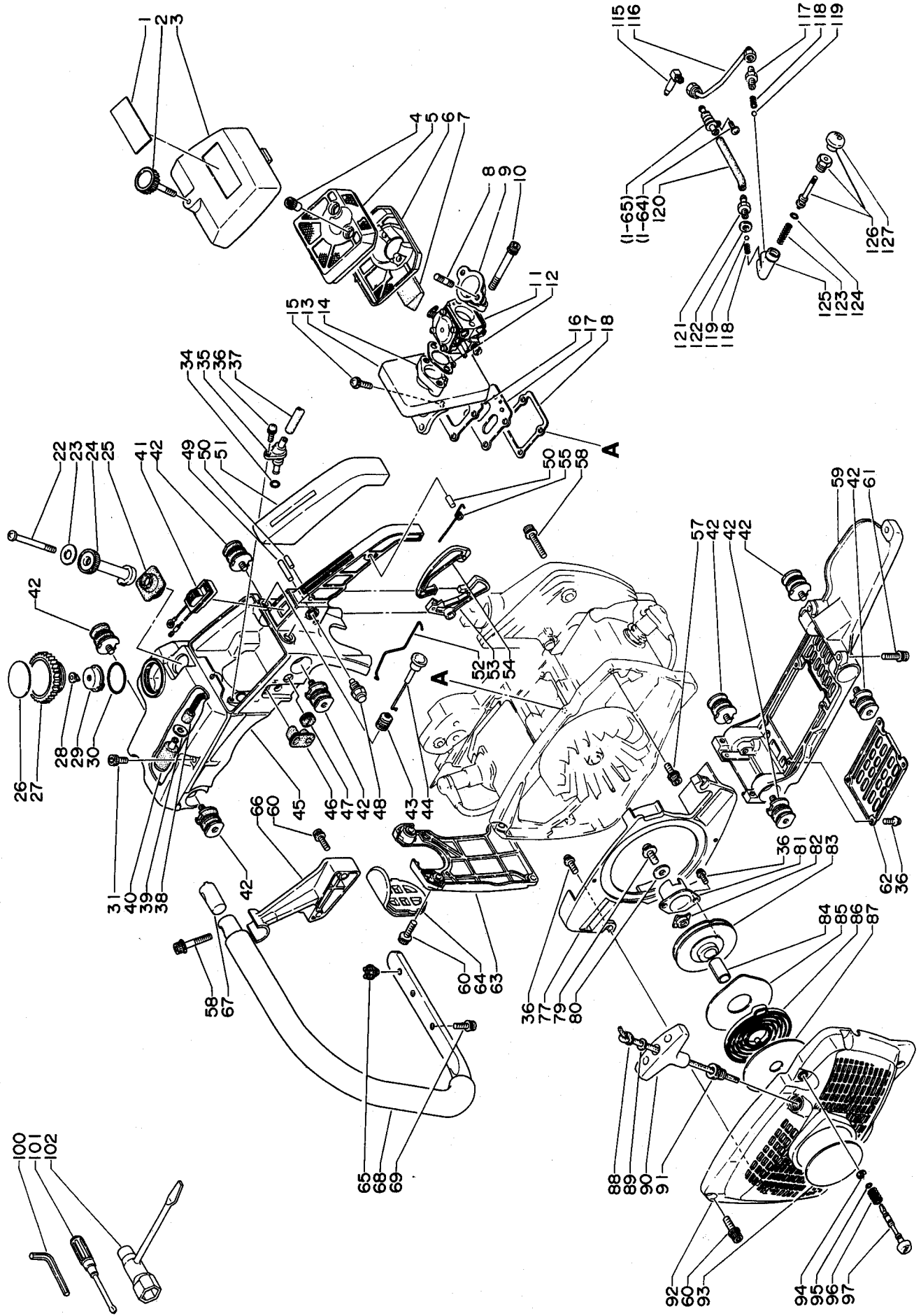
**23** Includes 20 and 28.

**85** Includes 86 and 87.

**88** Includes 89.

\* Consists of 92 thru 94.

\*\* Consists of 91 and 100 thru 114.



Key No.	Part No.	Q'ty	Description	Key No.	Part No.	Q'ty	Description
2- 1	890 151-1613 0	1	Decal	2- 61	900 162-0502 0	3	H.S.H. bolt 5 x 20
3	<b>130 302-1613 0</b>	1	<b>Cover ass'y, air cleaner</b>	62	351 142-1613 0	1	Lid, supporter
2	-130 415-1613 0	1	Thumb bolt	63	351 144-1613 0	1	Bracket
4	130 428-1473 0	2	Nut	64	351 145-1613 0	1	Cover, bracket
5	130 310-1613 0	1	Air filter (U)	65	100 253-1613 0	1	Cushion
6	130 317-1613 0	1	Air filter (L)	66	351 614-1613 0	1	Supporter
7	129 030-1613 0	1	Foam pad	67	351 617-1023 0	1	Insert
8	130 712-1613 0	2	Stud	68	351 606-1613 0	1	Front handle
9	130 711-1613 0	1	Elbow, carb	69	900 106-0501 4	2	H.S.H. bolt 5 x 14
10	900 162-0505 5	2	H.S.H. bolt 5 x 55	76	900 242-0400 8	2	Screw 4 x 8
11	123 000-1613 0	1	Carburetor HDA	77	177 262-1613 0	1	Side plate
12	130 521-1613 0	1	Gasket	**	<b>177 200-1613 0</b>	1	<b>Recoil starter ass'y</b>
13	130 320-1613 0	1	Foam gasket	36	-900 242-0401 0	2	Screw 4 x 10
14	130 505-1613 0	1	Adapter	79	-900 242-0501 0	1	Screw 5 x 10
15	900 244-0501 8	4	Screw 5 x 18	80	-177 214-0283 0	1	Washer
16	130 614-1613 0	1	Gasket	81	-177 243-0283 3	1	Pawl catcher
17	<b>130 600-1613 0</b>	1	<b>Reed valve ass'y</b>	82	-177 246-0283 2	1	Clip
18	130 610-1613 0	1	Gasket	83	-177 215-0283 4	1	Recoil drum
22	900 220-0506 5	1	Screw 5 x 65	84	-177 216-0283 2	1	Bush
23	890 022-0343 0	1	Decal, oil adjust	85	-177 242-1233 0	1	Side plate
24	437 039-1613 0	1	Dial	86	-177 220-0283 4	1	Rewind spring
25	437 614-1613 0	1	Grommet, dial	87	-177 221-0283 0	1	Side plate
*	<b>131 600-1023 1</b>	1	<b>Cap ass'y, fuel tank</b>	88	-177 226-0283 0	1	Starter rope
26	-890 154-1273 0	1	Decal	89	-177 229-1433 0	1	Spacer
27	-131 017-1023 1	1	Cap	90	-177 228-1233 0	1	Handle, starter
28	-131 314-0033 0	1	Check valve	91	-177 227-0502 0	1	Rope guide
29	-131 015-0083 0	1	Holder, valve	92	-177 209-1613 0	1	Case, starter
30	-900 720-0002 9	1	O-ring 29	93	890 112-1233 0	1	Decal, ECHO
31	900 105-0501 0	2	H.S.H. bolt 5 x 10	94	900 700-0000 4	1	Circlip 4
34	900 720-0000 7	1	O-ring 7	95	437 056-0283 0	1	O-ring
35	132 011-1613 0	1	Connector	96	129 020-1613 0	1	Coil spring
36	900 242-0401 0	6	Screw 4 x 10	97	129 013-1613 0	1	Adjuster, idle
37	132 012-1613 0	1	Fuel pipe (O)	100	895 610-0013 0	1	L-wrench, 4
38	132 010-1613 0	1	Fuel pip (I)	101	895 812-0393 0	1	Screw driver
39	900 603-0000 5	1	Washer 5	102	895 410-0283 0	1	Wrench w/s, driver
40	131 200-0283 0	1	Fuel strainer	115	437 240-1603 0	1	Connector
41	163 400-1613 0	1	Switch	116	437 206-1603 0	1	Oil pipe
42	100 905-1613 0	8	Cushion	120	437 228-1603 0	1	Oil pipe
43	178 211-0033 0	1	Grommet	***	<b>437 100-1603 0</b>	1	<b>Pump ass'y</b>
44	178 510-1613 0	1	Choke rod	117	-437 052-0033 0	1	Connector
45	351 905-1613 0	1	Rear handle	118	-437 013-0033 0	2	Valve spring
46	129 010-1233 0	1	Grommet	119	-437 012-0033 0	2	Ball valve
47	150 614-0291 0	1	Grommet	121	-437 017-0033 0	1	Connector
48	178 302-1233 0	1	Throttle latch	121	-131 310-0023 0	1	Gasket
49	900 340-5002 5	1	Spring pin 5 x 25	123	-437 111-1603 0	1	Pump spring
50	900 340-4001 3	2	Spring pin 4 x 13	124	-900 720-0000 5	1	O-ring
51	351 111-1613 0	1	Grip	126	-437 101-1603 0	1	Pump piston
52	178 011-1613 0	1	Throttle rod	127	-437 119-1603 0	1	Push botton
53	178 010-1233 1	1	Throttle				
54	178 090-1233 0	1	Throttle control lockout				
55	178 091-1053 1	1	Spring				
57	900 162-0501 4	7	H.S.H. bolt 5 x 14				
58	900 162-0503 0	2	H.S.H. bolt 5 x 30				
59	351 123-1613 0	1	Supporter				
60	900 162-0501 8	10	H.S.H. bolt 5 x 18				

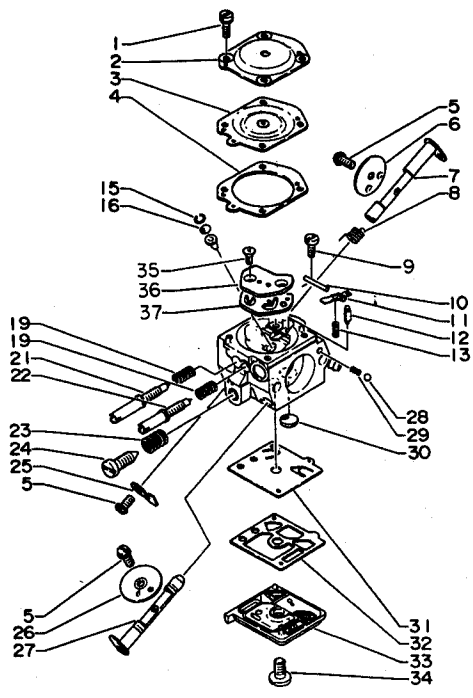
Remarks:

3 Includes 2.

\* Consists of 26 thru 30.

\*\* Consists of 36 and 79 thru 92.

\*\*\* Consists of 117 thru 127 except 120.



Key No.	Part No.	Q'ty	Description
3- *	<b>123 000-1613 0</b>	<b>1</b>	<b>Carburetor ass'y HDA 7</b>
1	-123 144-0393 0	4	Screw
2	-123 142-1613 0	1	Cover, m. diaphragm
3	-123 141-1613 0	1	Diaphragm, metering
4	-123 140-1613 0	1	Gasket, m. diaphragm
5	-123 114-0393 0	3	Screw
6	-123 116-1613 0	1	Valve, throttle
7	-123 117-1613 0	1	Shaft, throttle
8	-123 113-1613 0	1	Spring, t. return
9	-123 139-0393 0	1	Screw, m. lever pin
10	-123 138-0393 0	1	Pin, m. lever
11	-123 123-1613 0	1	Lever, metering
12	-123 137-1613 0	1	Valve, inlet
13	-123 122-1613 1	1	Spring, m. lever
15	-123 169-1063 0	1	Ring, screen
16	-123 168-1063 1	1	Screen, check valve
19	-123 121-1613 0	2	Spring, needle
21	-123 120-1613 1	1	Needle, high
22	-123 118-1613 0	1	Needle, idle
23	-123 133-1113 0	1	Spring, idle adjust
24	-123 134-1613 0	1	Screw, idle adjust
25	-123 156-1233 0	1	Stop, throttle
26	-123 132-1613 0	1	Valve, choke
27	-123 131-1613 0	1	Shaft, choke
28	-123 136-1063 0	1	Ball, choke friction
29	-123 135-1063 0	1	Spring, choke friction
30	-123 126-1063 1	1	Screen, inlet
31	-123 112-1233 0	1	Diaphragm, pump
32	-123 131-1613 0	1	Gasket, pump
33	-123 124-1613 0	1	Cover, pump
34	-123 110-1613 0	1	Screw, pump cover
35	-123 167-1233 0	2	Screw
36	-123 166-1613 0	1	Plate, circuit
37	-123 164-1613 0	1	Gasket, circuit plate

Remark:

\* Consists of 1 thru 37.