



AVAILABLE ATTACHMENTS & ACCESSORIES

200387001	GUIDE BAR - 20"
240388001	GUIDE BAR - 24"
270389301	GUIDE BAR - 27"
320380501	GUIDE BAR - 32"
360381601	GUIDE BAR - 36"
7270105	CHAIN - 32"
7270116	CHAIN - 36"
727070	CHAIN - 20"
727081	CHAIN - 24"
727093	CHAIN - 27"

PARTS CATALOG

CHAINSAW

80.7cc

MODEL: SERIAL NUMBERS

CS-8000 Type 1: 001001 & UP

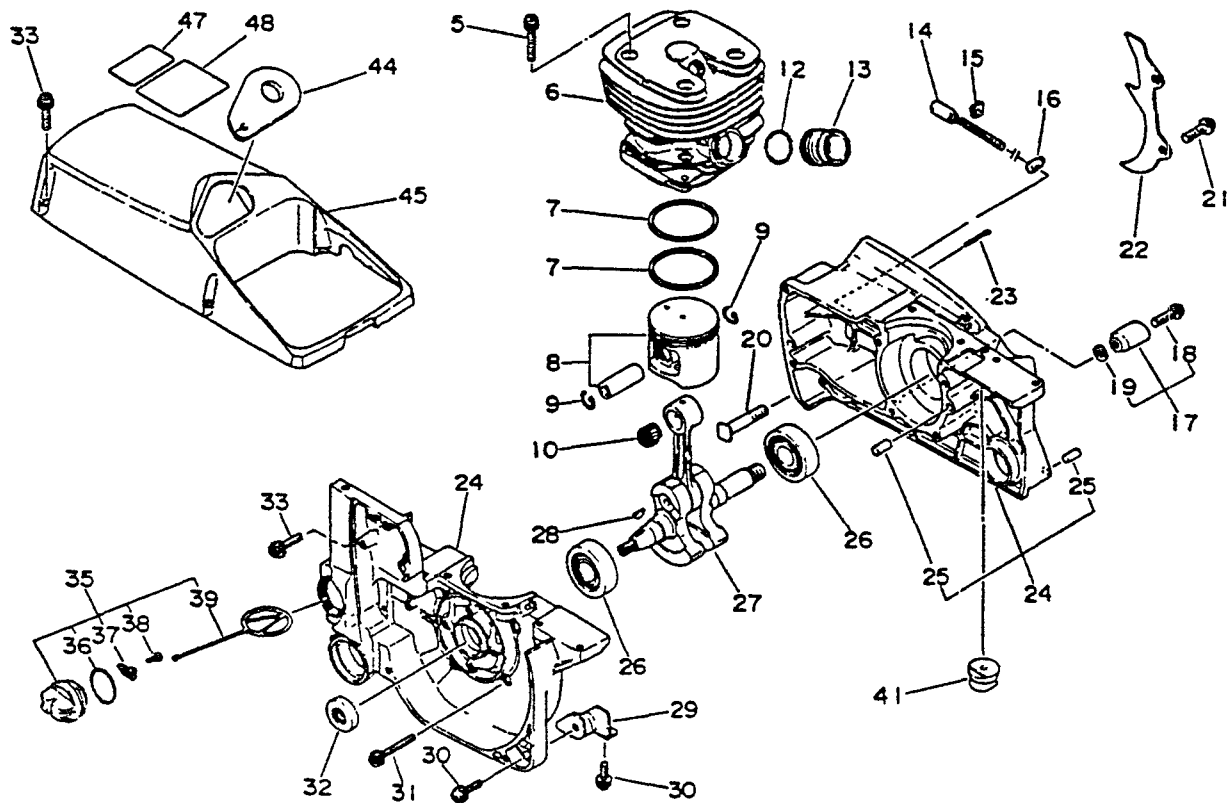
CS-8000P Type 1: 001001 - 004040

ECHO, INCORPORATED

400 Oakwood Road Lake Zurich, Illinois 60047

WWW.ECHO-USA.COM

CS-8000 1

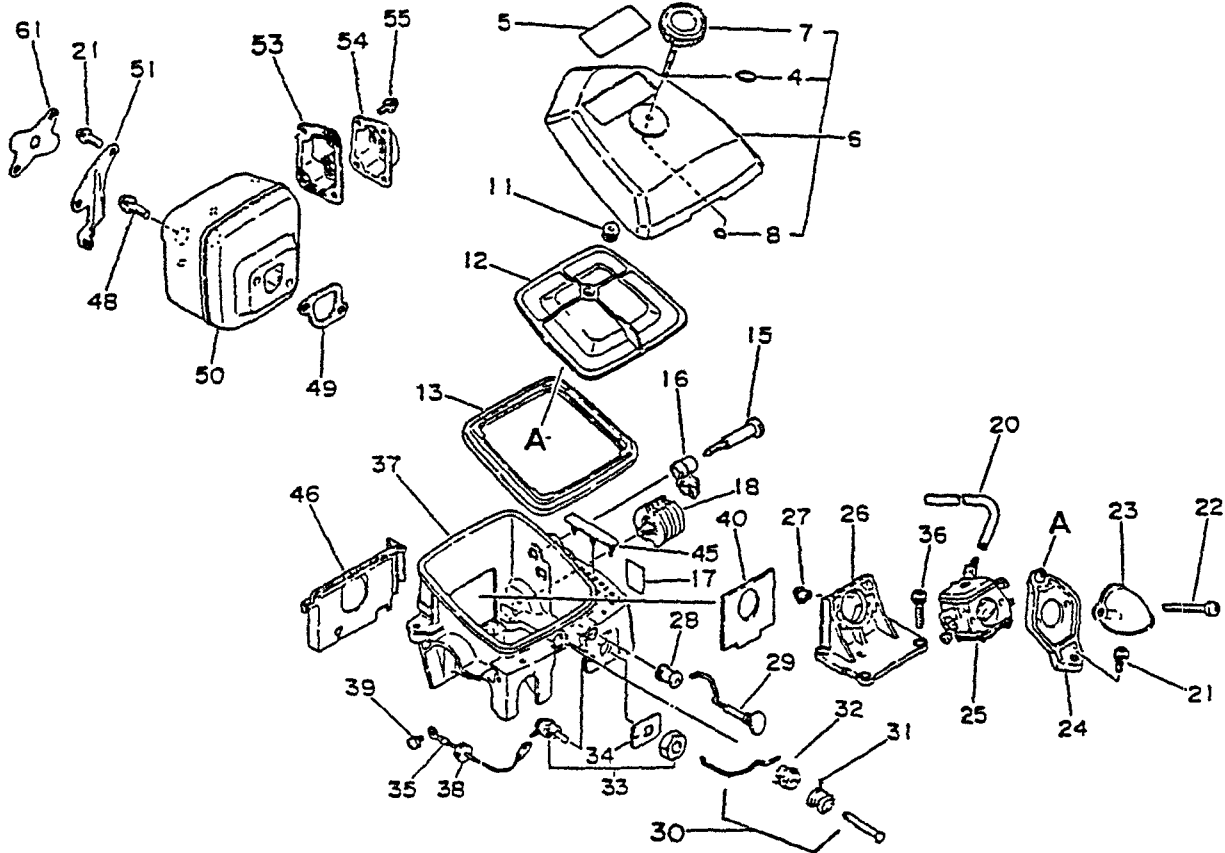


(A) Refer to Serv. Manual Pg. 29

(B) Refer to Parts Bull. 88-14P

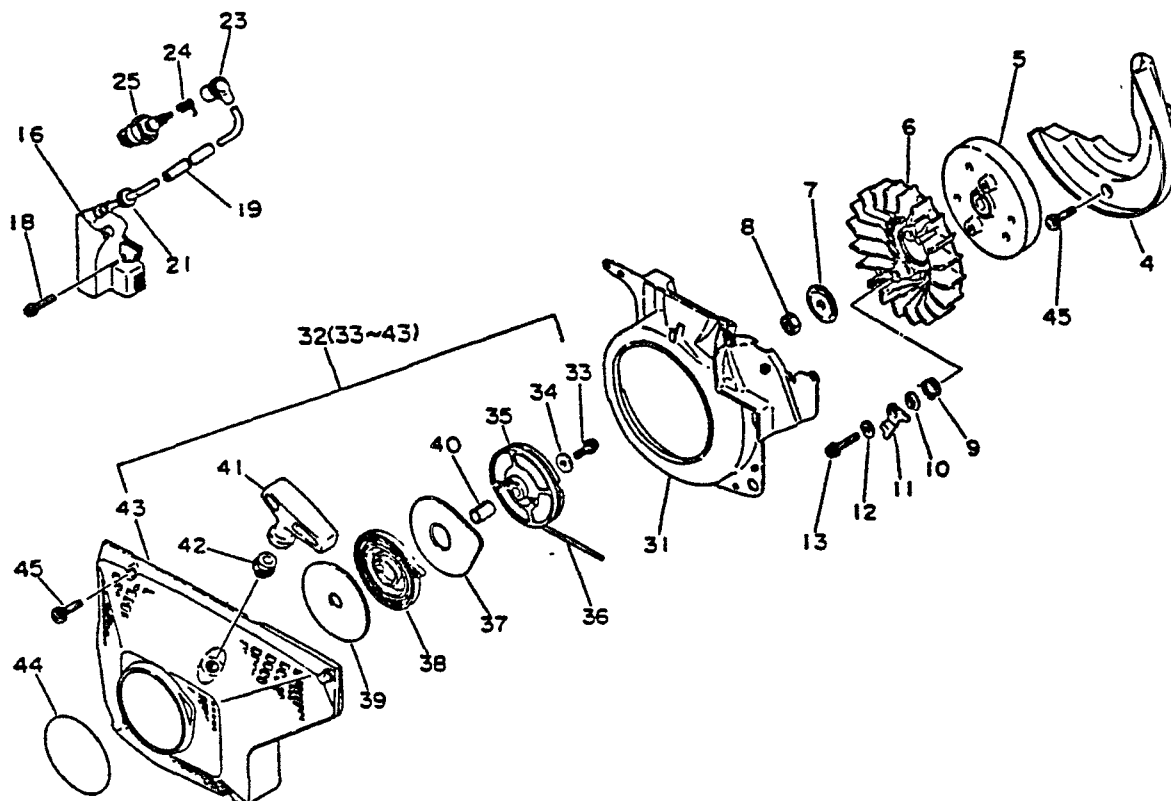
Key No.	Part Number	Q'ty	Description	Key No.	Part Number	Q'ty	Description
1- 5	900 281-0602	5	Screw 6x25	32	-100 212-1983	0	1 Oilseal
6	101 005-3083	0	Cylinder	41	-100 251-1983	0	1 Cushion
7	100 011-3083	0	2 Ring, piston	27	100 100-3083	0	1 Crankshaft ass'y
8	100 003-3083	0	1s Piston + piston pin	10	-100012 30830	0	1 Bearing, needle
9	100 015-3083	0	2 Circlip, piston pin				
12	130 516-3083	0	1 Band	*28	100 142-3083	0	1 Key, woodruff
13	130 510-3083	0	1 Adapter, intake	29	100 921-3083	0	1 Cushion
14	433 016-1103	1	1 Screw, adjustment	30	900 281-0501	4	2 Screw 5x14
15	433 028-1103	0	1 Clip	31	900 281-0503	5	4 Screw 5x35
16	433 014-0283	0	1 Tensioner	33	900 281-0502	0	5 Screw 5x20
17	433 000-1983	1	1 Catcher kit, chain	35	436 001-1983	2	1 Cap ass'y, oil
18	-900 281-0502	0	1 Screw 5x20	36	-436 012-1983	0	1 Seal
19	-900 600-0000	5	1 Washer 5	37	-131 050-1983	0	1 Holder
21	900 281-0602	0	2 Screw 6x20	38	-900 258-0300	8	1 Screw 3x8
22	880 210-3083	0	1 Bumper, spiked	39	-131 051-1983	0	1 Connector
(B)-24	100 301-3083	0	1s Crankcase set	44	101 541-3083	0	1 Insulator
23	-900 301-2001	6	1 Pin, split 2x16	45	101 514-3083	0	1 Cover, cylinder
20	-433 011-1983	0	2 Stud	47	890 191-3013	0	1 Label
25	-100 215-0283	0	3 Pin, dowel	48	890 191-3173	0	1 Label
26	-100 121-3083	0	1s Bearing set, ball				

*28 SEE PARTS BULL. 87-12



FOR OPTIONAL WINTER/SNOW KIT SEE PARTS BULL. 88-4P

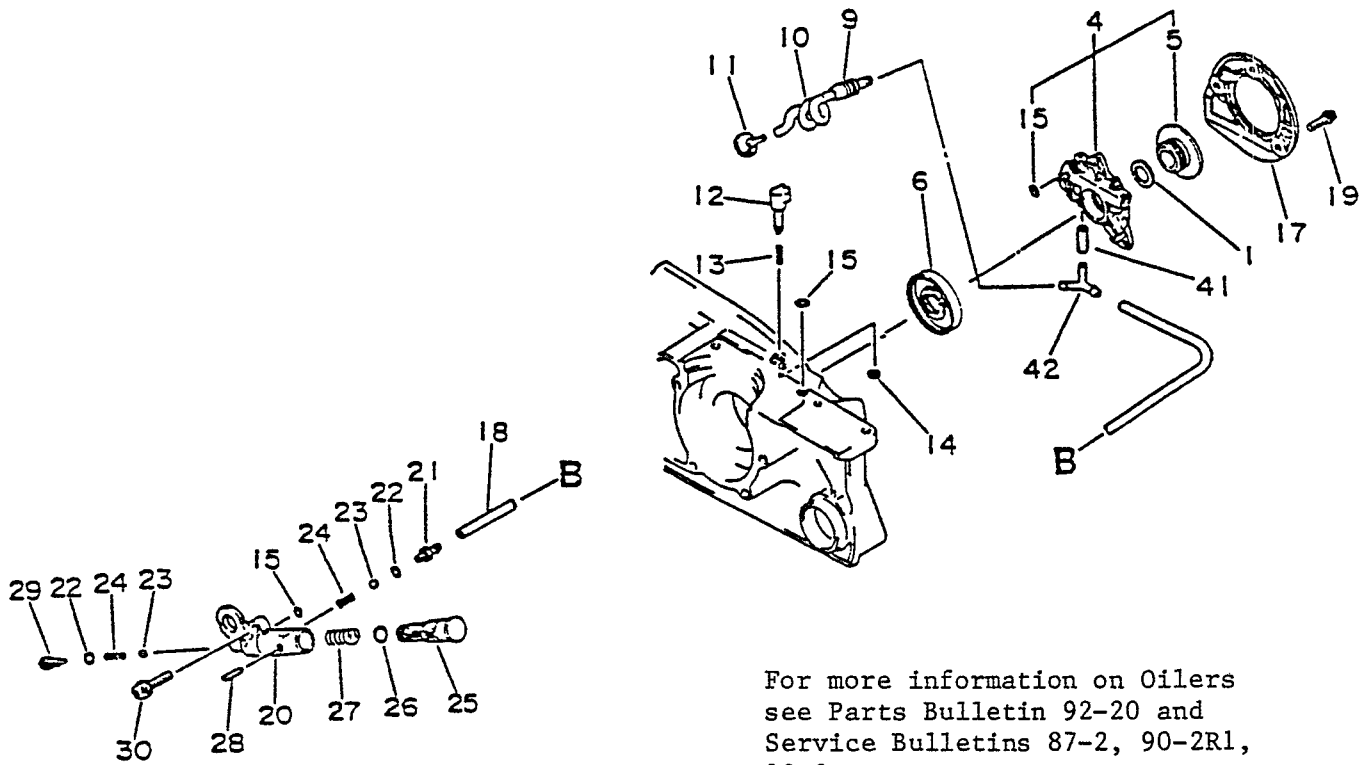
Key No.	Part Number	Q'ty	Description	Key No.	Part Number	Q'ty	Description
2-5	890 151-3173 0	1	Label	33	163 400-3083 0	1	Switch, ignition
6	130 302-3083 0	1	Cover, air cleaner	34	890 157-1983 0	1	Label
4	-900 720-0001 0	1	O-ring 10	35	162 021-3083 0	1	Lead
7	-130 406-3083 0	1	Knob, cleaner cover	36	900 281-0502 5	4	Screw 5x25
8	-900 720-0000 3	1	O-ring 3	37	130 306-3083 0	1	Case, carburetor
11	130 356-1983 0	1	Seal	38	156 114-0492 0	1	Bushing
12	130 310-3083 0	1	Filter, air	39	900 242-0400 8	1	Screw 4x8
13	130 320-3083 0	1	Gasket	40	130 012-3083 0	1	Seal, dust
15	129 013-3083 0	1	Screw, idle speed	45	130 338-3083 0	1	Plug
16	129 010-1983 0	1	Grommet	46	101 529-3083 0	1	Guide, air
17	890 169-3013 0	1	Label	48	900 281-0602 0	2	Screw 6x20
18	100 905-1983 0	1	Cushion	49	145 510-3083 0	1	Gasket, muffler
20	130 110-3083 0	1	Pipe	50	145 610-3083 0	1	Muffler
21	900 281-0501 4	3	Screw 5x14	51	145 711-3083 0	1	Bracket
22	900 281-0505 5	2	Screw 5x55	53	145 862-3172 0	1	Screen
23	130 711-3083 0	1	Elbow, intake	54	145 861-3083 0	1	Lid, muffler
24	130 405-3083 0	1	Plate	55	900 281-0401 0	4	Screw 4x10
25	123 000-3083 0	1	Carburetor ass'y	61	145 813-3173 0	1	Cover, muffler
26	130 007-3083 0	1	Insulator				
27	-130 020-1983 0	2	Nut	64	130 422-3083 0	1	Plate
28	178 810-1123 1	1	Grommet	65	130 300-3173 0	1	Cleaner ass'y, air
29	178 510-3083 0	1	Rod, choke	67	-130 339-3173 0	1	Gasket
30	178 307-3083 0	1	Rod, throttle	66	130 405-3173 0	1	Plate
31	178 078-1983 0	1	Spring	9	130 351-3083 0	1	Adapter
32	178 114-1983 0	1	Connector,				



FOR OPTIONAL WINTER/SNOW KIT SEE PARTS BULL. 88-4P

Key No.	Part Number	Q'ty	Description	Key No.	Part Number	Q'ty	Description
3- 4	101 534-3083 0	1	Plate	34	-177 214-0283 0	1	Washer
*5	150 800-3083 1	1	Flywheel	35	-177 206-1433 0	1	Reel, starter
6	101 521-3083 0	1	Fan	36	-177 226-0283 0	1	Rope, starter
7	100 143-1983 0	1	Washer	37	-177 242-3083 0	1	Plate
8	900 500-0000 8	1	Nut 8	38	-177 220-0283 4	1	Spring, rewind
9	177 234-3083 0	2	Spring, pawl	39	-177 221-0283 0	1	Plate
10	177 247-1233 0	2	Spacer	40	-177 216-1233 0	1	Bushing
11	177 218-3083 0	2	Pawl, starter	41	-177 228-3083 0	1	Grip, starter
12	900 603-0000 5	2	Washer 5	42	- 177 227-1063 0	1	Guide, rope
13	900 281-0503 0	2	Screw 5x30	43	- 101 507-1463 0	1	Cover, fan
16	150 601-3083 0	1	Module	44	890 112-1833 1	1	Label
18	900 281-0402 0	2	Screw 4x20	45	900 281-0502 0	6	Screw 5x20
19	150 611-3083 0	1	Tube				
21	152 112-0573 0	1	Grommet				
23	159 012-0343 3	1	Cap, spark plug				
24	159 011-0343 2	1	Coil, spark plug cap				
25	159 017-1643 1	1	Plug, spark				
31	101 535-3083 0	1	Cover, fan				
32	177 200-3083 0	1	Starter assembly				
33	-900 281-0501 4	1	Screw 5x14				

* SEE PARTS BULL. 87-12



For more information on Oilers see Parts Bulletin 92-20 and Service Bulletins 87-2, 90-2R1, 92-2, and next page.

Key No.	Part Number	Q'ty	Description	Key No.	Part Number	Q'ty	Description
(A) 4-	100 127-3083	1	Washer	21	-437 118-1983	0	Nipple
4	437 000-3173	0	Auto-oiler ass'y	22	-437 122-0343	0	O-ring
(B) 5	-437 063-3173	0	Wheel, worm	23	-437 012-0033	0	Ball, valve
15	-900 720-0000	3	O-ring 3	24	-437 013-0033	0	Spring
6	100 213-3083	0	Oilseal	(C) 25	-437 112-1983	1	Piston, oil pump
9	132 115-1233	0	Grommet	26	-900 720-0000	7	O-ring 7
10	437 210-3243	0	Pipe	27	-437 111-1983	0	Spring
11	436 205-1473	0	Strainer, oil	28	-900 345-2001	6	Pin, spring 2x16
12	437 039-3083	0	Dial, auto-oiler	29	-437 121-1013	0	Plug
13	437 015-1983	0	Spring	30	900 281-0501	4	Screw 5x14
14	900 700-0000	3	E-ring 3	41	437 211-3243	0	Pipe
15	900 720-0000	3	O-ring 3	42	437 212-3243	0	Connector
17	437 605-3243	0	Plate				
18	437 210-3083	0	Pipe				
19	900 281-0401	4	Screw 4x14				
	437 100-1983	1	Pump ass'y, oil				
15	-900 720-0000	3	O-ring 3				
(C) 20	-437 110-1983	1	Body, oil pump				

- (A) For units prior to S/N 0002402, use 100 127-3083 0
- (B) For units prior to S/N 0002402, use 437 063-3083 0
- (C) For units prior to S/N 0002705, use 437 100-1983 1

CS-8000 BULLETIN INFORMATION

The following information is a summary of Service Bulletins 87-2, 90-2R1 & 92-2 and Parts Bulletin 92-20.

Refer to these bulletins for further details and parts breakdown.

When servicing units with steel worm gear:

If replacing plunger or worm gear, order plunger and worm kit 437003 30830.

*The correct adjusting washer when continuing to use steel worm gear and matching plunger is 100127 30830 (1.5 mm thick, w/flat).

When servicing unit equipped with an oiler incorporating a plastic worm gear; replace with one or more of the following current parts as necessary:

Auto Oiler Asy	(437000 37530)
-Worm Gear Asy	(437004 19931)
--Worm Gear	(437063 19930)
--Oil Pump Cover	(437066 30130)

NOTE 1: For information on the above listed parts refer to Parts Bulletin 92-20.

NOTE 2: For information on installing 437063 19930 Worm Gear refer to Service Bulletin 90-2R1.

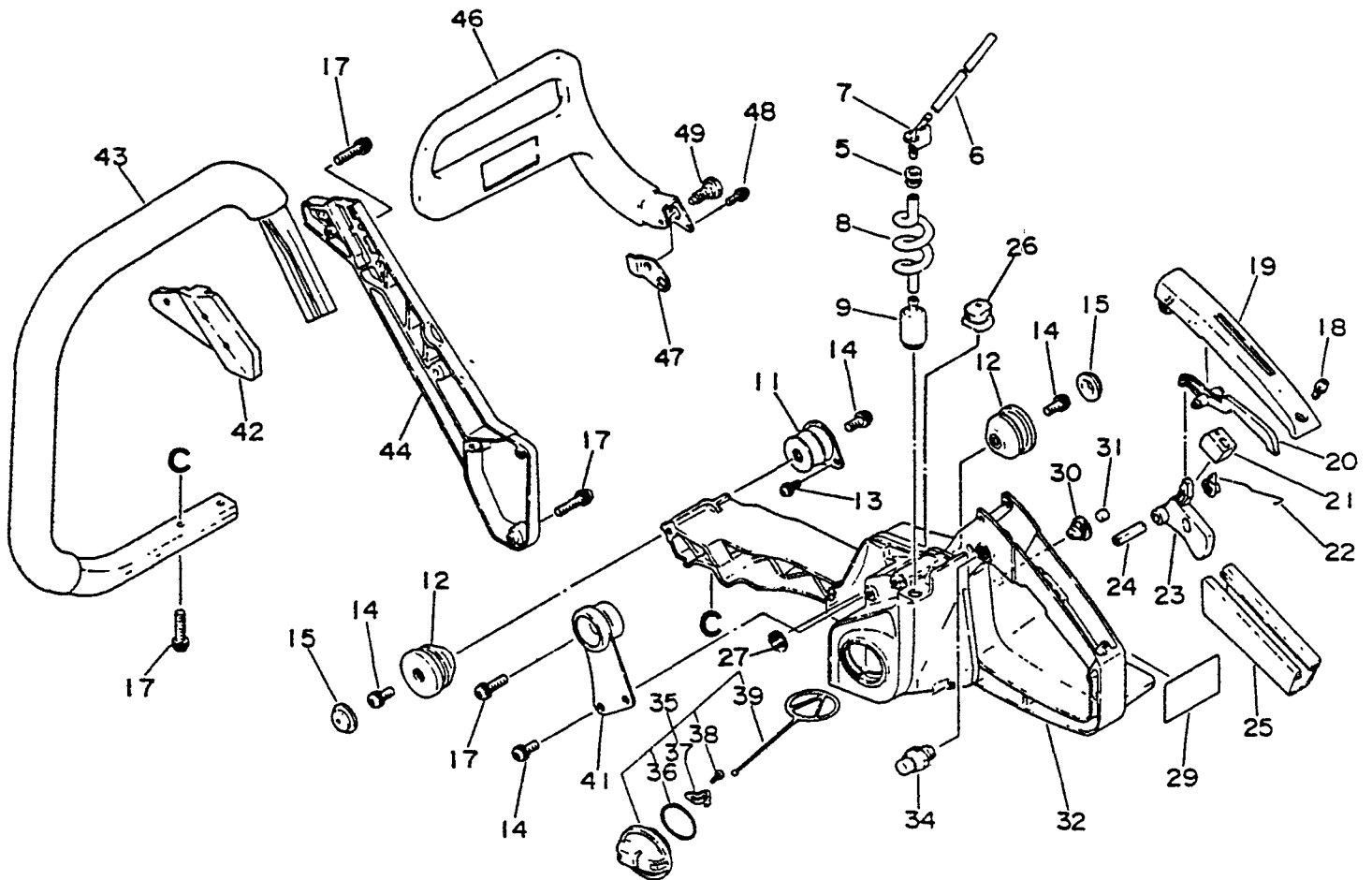
NOTE 3: For information on installing 437066 30130 Oil Pump Cover refer to Service Bulletin 92-2.

When replacing Auto-Oiler Asy on a unit utilizing the later style asy with Plastic Worm Gear or Brass Worm Gear, replace with Oiler Asy 437000 37530. See Parts Bulletin 92-20, Service Bulletins 90-2R1 & 92-2.

Units utilizing the Old Style Asy with steel worm gear, replace with Oiler Asy 437000 37530. See Service Bulletins 87-2, 90-2R1 & 92-2.

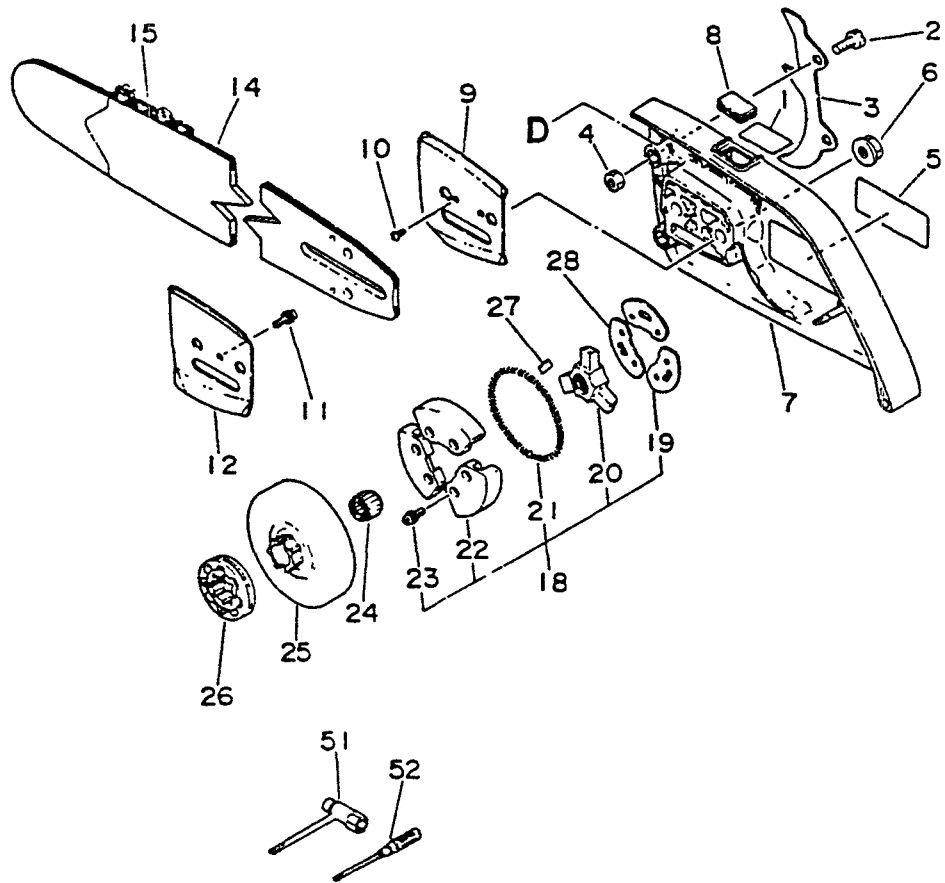
And also order:

Seal	100213 30830
Pump Cover	437605 32430
Oil Line	437211 32430
Pipe Connector	437212 32430
Oil line	132010 30830

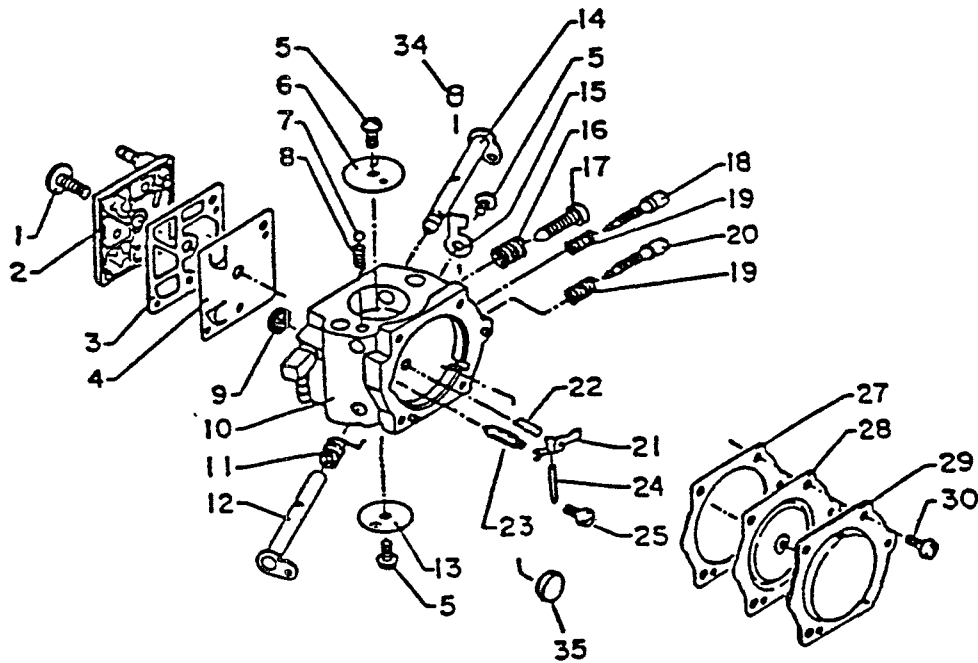


Key No.	Part Number	Q'ty	Description	Key No.	Part Number	Q'ty	Description
5- 5	132 115-0146 0	1	Grommet	30	131 314-0632 0	1	Valve, check
6	132 012-3083 0	1	Pipe	31	131 315-0502 0	1	Filter, check valve
7	132 011-1983 0	1	Gasket, fuel tank	32	*351 103-3083 0	1	Handle, rear
8	132 010-3083 0	1	Pipe	26	-100 251-1983 0	1	Cushion
9	131 205-0023 0	1	Strainer, fuel	27	-100 252-3083 0	1	Cushion
11	100 922-3083 0	1	Cushion	34	178 302-1233 0	1	Latch, throttle
12	100 910-3083 0	2	Cushion	35	131 004-1983 0	1	Cap ass'y, fuel
13	900 281-0401 0	2	Screw 4x10	36	-900 720-0002 9	1	O-ring 29
14	900 281-0501 4	5	Screw 5x14	37	-131 050-1983 0	1	Holder
15	100 918-1983 0	2	Plug	38	-900 258-0300 8	1	Screw 3x8
17	900 281-0502 0	8	Screw 5x20	39	-131 051-1983 0	1	CouNECTer
18	900 281-0401 4	1	Screw 4x14	41	100 917-3083 0	1	Cushion
19	351 155-3013 0	1	Grip, rearhandle	42	351 614-3083 0	1	Supporter, front handle
20	178 090-3013 0	1	Lockout, throttle control	43	351 606-3083 0	1	Handle, front
21	178 073-1983 1	1	Cushion	44	351 613-3083 0	1	Supporter, front handle
22	178 043-1983 0	1	Spring	46	351 805-1983 0	1	Guard, hand
23	178 010-1983 0	1	Control, throttle	47	351 343-1983 0	1	Spacer
24	900 340-5002 5	1	Pin, spring 5x25	48	900 281-0401 0	1	Screw 4x10
25	351 111-1983 0	1	Grip, rear handle	49	351 344-1983 0	1	Bolt
29	890 155-3013 0	1	Label				

* SEE PARTS BULL. 87-5, SERV. BULL. 87-5



Key No.	Part Number	Q'ty	Description	Key No.	Part Number	Q'ty	Description
6- 1	890 155-3013 0	1	Label	24	175 012-3083 0	1	Bearing, needle
2	880 211-3173 0	2	Bolt	25	175 105-3083 0	1	Drum, clutch
3	880 210-3083 0	1	Bumper, spiked	26	175 033-1473 0	1	Sprocket, rim
4	145 710-0023 0	2	Nut, lock 6	51	895 410-0283 0	1	Wrench w/screwdriver
5	890 118-1833 1	1	Label	52	895 812-0393 0	1	Screwdriver
6	433 019-1233 0	2	Nut				
7	433 010-3083 0	1	Guard, sprocket				
8	433 045-3173 0	1	Grommet				
9	433 012-3083 0	1	Plate, outer				
10	900 241-0300 6	1	Screw 3x6				
11	900 281-0401 0	3	Screw 4x10				
12	433 013-3083 0	1	Plate, inner				
18	175 000-3083 0	1	Clutch assembly				
19	-175 019-3083 0	2	Plate				
20	-175 016-3083 0	1	Hub, clutch				
21	-175 018-3083 0	1	Spring, clutch				
22	-175 002-3083 0	1	Shoe set, clutch				
23	-900 281-0401 0	6	Screw 4x10				
27	-175 059-3083 0	1	Cushion				
28	-175 029-3083 0	1	Plate				

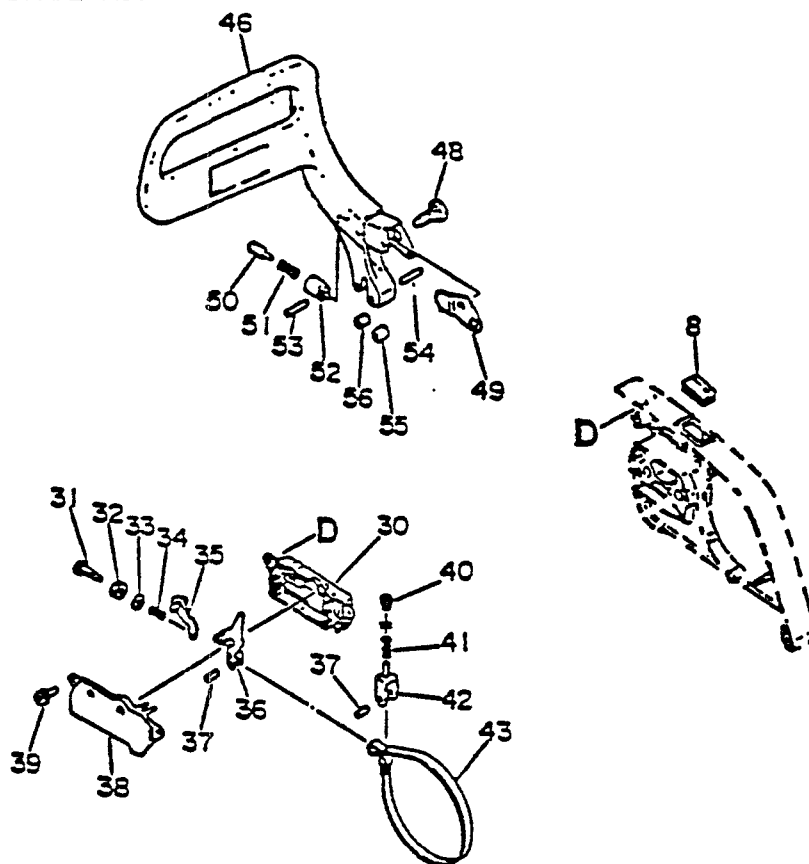


Key No.	Part Number	Q'ty	Description	Key No.	Part Number	Q'ty	Description
7-	123 000-3083 0	1	Carburetor ass'y (HDA-45)	22	- (A)	1	Spring, metering lever
1	-123 110-0393 0	1	Screw	23	- (A)	1	Valve, inlet needle
2	-123 124-1983 0	1	Cover, pump	24	- (A)	1	Pin, metering lever
3	- (A) (B)	1	Gasket, pump	25	- (A)	1	Screw
4	- (A) (B)	1	Diaphragm, pump	27	- (A) (B)	1	Gasket, metering diaphragm
5	-123 114-0393 0	3	Screw	28	- (A) (B)	1	Diaphragm, metering
6	-123 132-3083 0	1	Valve, choke control	29	-123 142-1733 0	1	Cover, metering diaphragm
7	-123 136-1063 0	1	Ball	30	- (A)	4	Screw
8	-123 135-1063 0	1	Spring				
9	- (A)	1	Screen, inlet				
11	-123 113-1613 0	1	Spring, throttle return	34	-123 178-1503 0	1	Plug, friction
12	-123 117-3083 0	1	Shaft, throttle	35	- (A)	1	Plug, Welch
13	-123 116-3083 0	1	Valve, throttle				
14	-123 131-3083 0	1	Rod, choke control				
15	-123 156-1233 0	1	Stop, throttle				
16	-123 133-1113 0	1	Spring, idle screw				
17	-123 134-0653 0	1	Screw, idle speed				
18	-123 118-3083 0	1	Needle, idle mixture				
19	- (A)	2	Spring, idle needle				
20	-123 120-3083 0	1	Needle, high speed				
21	- (A)	1	Lever, metering				

(A) Use Carburetor repair kit ; 123 100-3083 0

(B) Use Carburetor diaphragm/gasket kit ; 123 101-1733 1

CS-8000 CHAIN BRAKE ASSEMBLY



CHAIN BRAKE ASS'Y P/No. 433200-30830

Applicable model: CS-8000

Key No.	Part Number	Q'ty	Description
*	433200-30830	1	Brake ass'y, chain
8	-433312-19930	1	Cover, seal
**	-433202-30830	1	Cassette, chain brake
30	--433306-19930	1	Cover, brake
31	--433133-19930	1	Bolt
32	--900502-00005	1	Nut 5
33	--433162-19930	1	Washer
34	--433122-19930	1	Spring
35	--433209-19930	1	Stopper
36	--433208-19930	1	Lever, brake
37	--900340-40010	2	Pin, spring 4x10
38	--433310-19931	1	Cover
39	--900281-04010	2	Screw 4x10
40	--433169-19931	1	Nut
41	--433161-19930	1	Spring
42	--433142-19931	1	Adjuster, band
43	--433123-30830	1	Band, brake
46	-433201-30830	1	Lever assy, brake
50	--433164-19930	1	Bolt, stopper
51	--433165-19930	1	Spring
52	--433166-19930	1	Connector
53	--900330-20200	1	Needle 2x20
54	--900330-30180	2	Needle 3x18
55	--433167-19930	1	Spacer
56	--433168-19930	1	Spacer
48	-351344-19830	1	Bolt
49	-433163-19930	1	Stopper

BAR & CHAIN OPTIONS

200387001 20" Guide Bar

240388010 24" Guide Bar

270389301 27" Guide Bar

320380501 32" Guide Bar

360381601 36" Guide Bar

727070 72LG-70G 20" Chain

727081 72LG-81G 24" Chain

727093 72LG93G 27" Chain

7270105 72LG-105G 32" Chain

7270116 72LG-116G 36" Chain