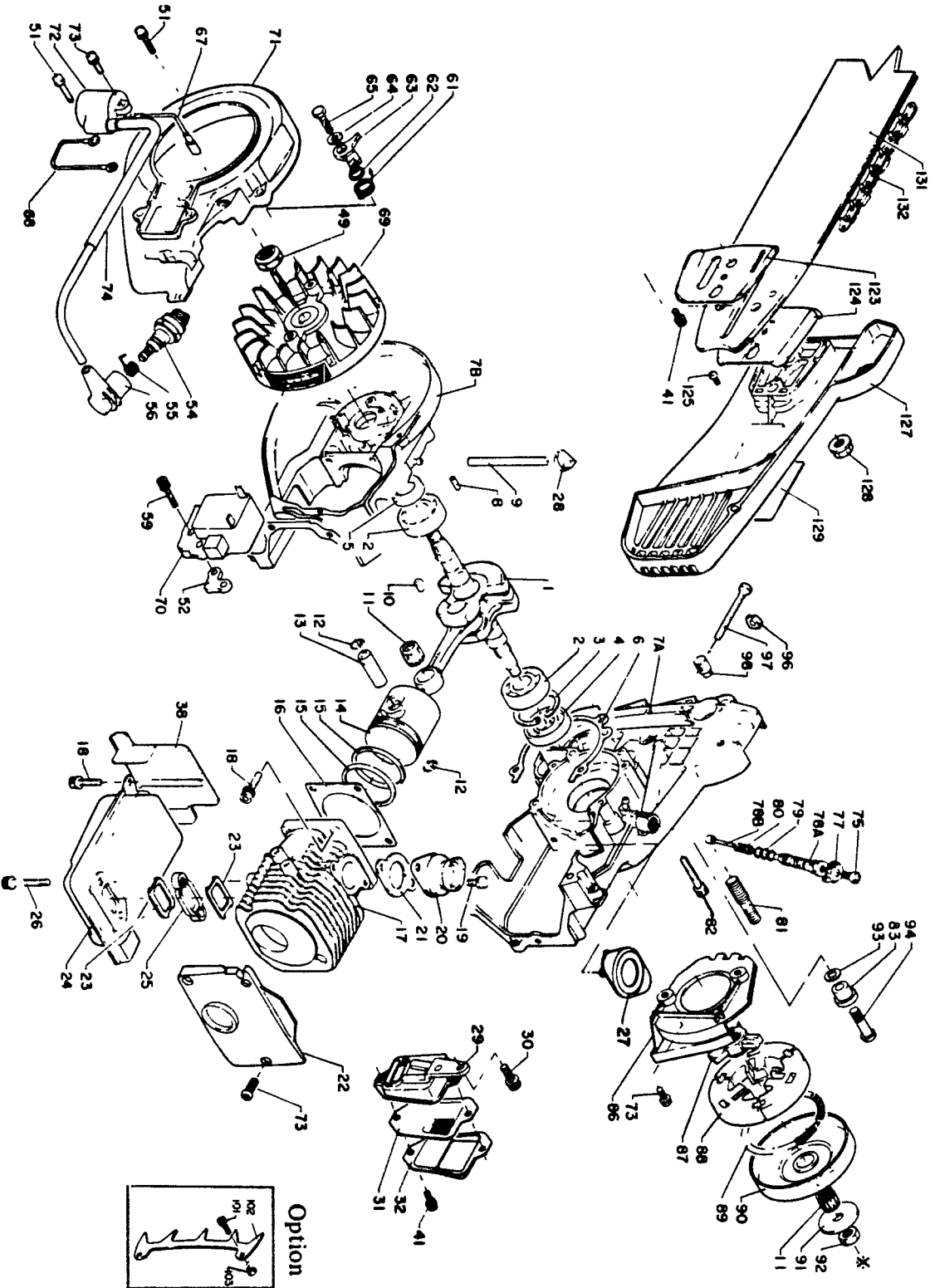




**PARTS CATALOGUE**

**ECHO  
CHAIN SAW  
CS-500EVL  
CS-500EVL P**

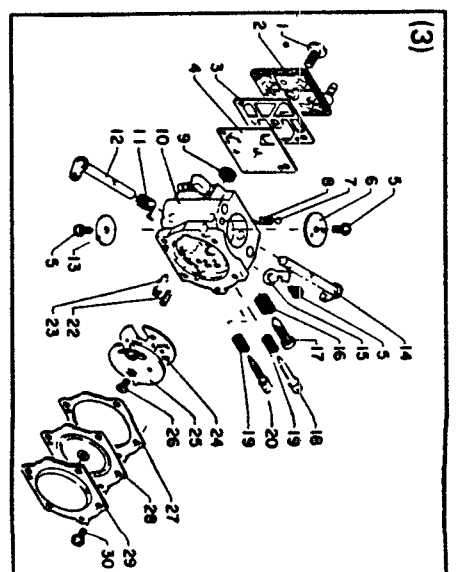
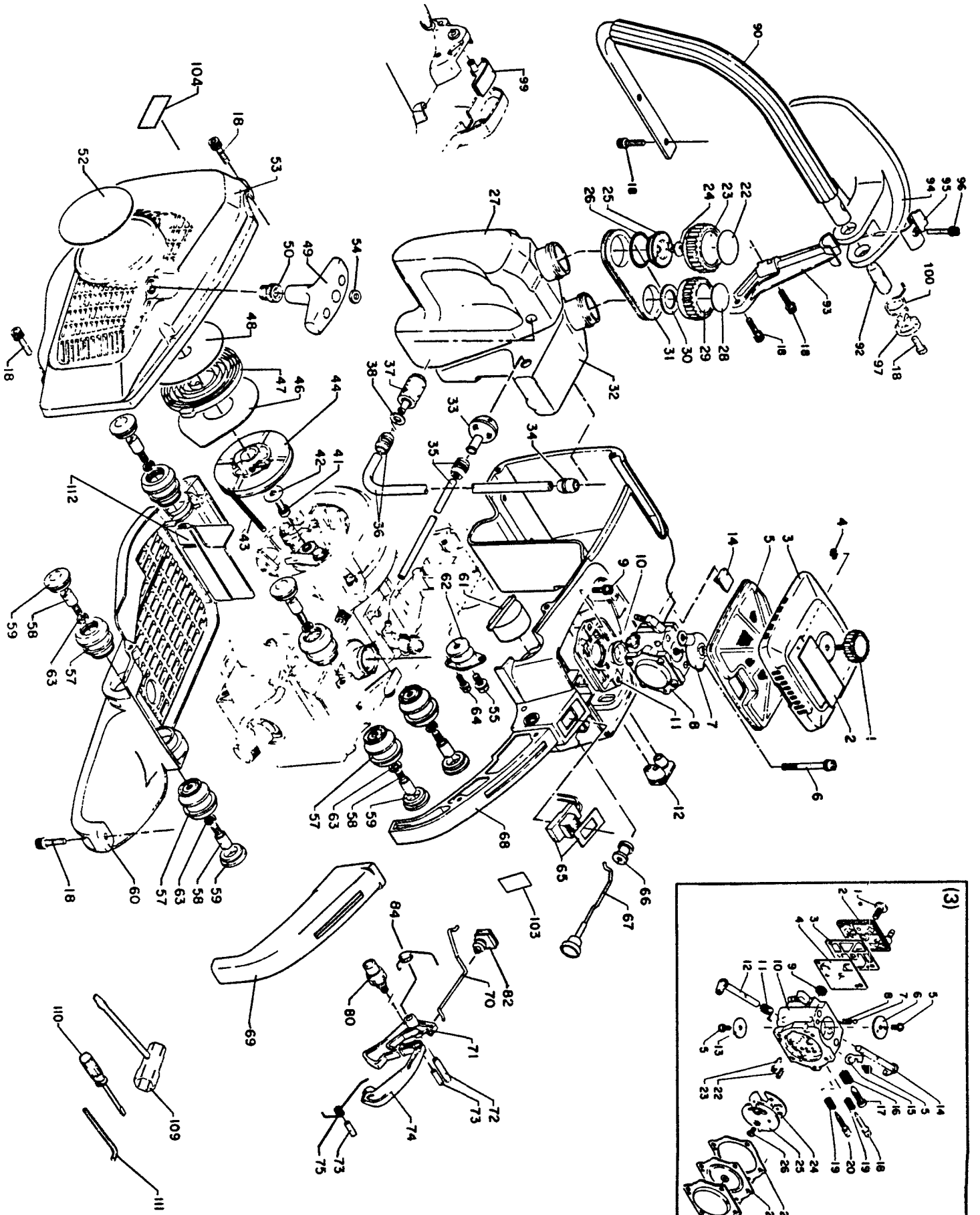
PARTS CATALOGUE



Key No.	Part No.	Q'ty	Description	Key No.	Part No.	Q'ty	Description
1- 1	100 100-1233 2	1	Crankshaft ass'y	1- 65	900 100-0502 0	2	Bolt 5x20
2	900 810-0620 2	2	Ball bearing 6202	67	156 630-1523 0	1	Lead
3	900 702-0003 5	1	Circlip 35	68	156 635-1523 0	1	Ground lead
4	100 213-0283 0	1	Oil seal	69	156 801-1523 0	1	Flywheel
5	100 213-0031 0	1	Oil seal	70	156 601 1523 0	1	C.D. Ignition module
6	100 242-1523 0	1	Gasket, crankcase	71	101 535-1523 0	1	Fah cover, inner
7	<b>100 200-1523 0</b>	1	<b>Crankcase set</b>	72	156 626-1523 0	1	Ignition coil
8	-100 215-0393 0	2	Knock pin	73	900 242-0401 4	7	Screw 4x14
9	130 110-1233 0	1	Pipe, impulse	74	156 633-1523 0	1	Tube
10	100 142-1233 0	1	Woodruff key	75	900 220-0501 0	1	Screw 5x10
				77	437 059-1113 3	1	Lock washer
11	100 012-1233 0	2	Needle bearing	<b>78</b>	<b>437 000-0343 0</b>	1	<b>Auto, oiler ass'y</b>
12	100 015-0012 0	2	Circlip, piston pin	79	-437 020-0283 0	3	O-ring
13	100 013-0041 0	1	Piston pin	80	-437 019-0283 0	1	Coil spring
14	100 010-1233 1	1	Piston	81	433 011-1233 0	2	Stud
15	100 011-1233 0	2	Piston ring	82	900 162-0503 0	6	H S H. bolt 5x30
16	101 010-1233 0	1	Gasket, cylinder base	<b>83</b>	<b>433 000-1283 0</b>	1	<b>Chain catcher kit</b>
17	101 011-1523 0	1	Cylinder	93	-900 600-0000 5	1	Washer 5
18	900 162-0502 0	5	H S H. bolt 5x20	94	-900 220-0502 5	1	Screw 5x25
19	900 241-0501 0	3	Screw 5x10	86	175 310-1523 0	1	Seal plate
20	130 508-1233 1	1	Adapter, intake	*	<b>175 000-1233 0</b>	1	<b>Clutch ass'y</b>
21	130 010-1233 0	1	Gasket	87	-175 016 0343 0	1	Clutch boss
22	101 514-1523 0	1	Cylinder cover	88	-175 017-0283 0	3	Clutch shoe
23	145 510-1523 0	2	Gasket, muffler	89	-175 018-0283 0	1	Clutch spring
24	145 810-1233 0	1	Muffler	90	175 005-1103 0	1	Clutch drum
25	145 511-1523 0	1	Adapter	91	175 015-0343 0	1	Washer
26	900 162 0504 5	2	H S H bolt 5x45	92	100 129-0343 0	1	Nut, L-H
27	130 034 1233 1	1	Seal	96	433 028-1103 0	1	Clip
28	130 114-1233 0	1	Grommet	97	433 016-1103 1	1	Screw, adjustment
29	145 806-1523 0	1	Adapter	98	433 014-0283 0	1	Tensioner
30	900 162 0501 4	2	H.S.H bolt 5x14	123	433 013-1233 2	1	Side plate
31	145 862-1523 0	1	Screen	124	433 012-1233 2	1	Side plate
32	145 863-1523 0	1	Screen holder	125	900 220-0300 6	2	Screw 3x6
38	100 270-1233 0	1	Insulator	127	433 010-1523 0	1	Cover, guide bar
41	900 242-0401 0	5	Screw 4x10	128	433 019-1233 0	2	Flange nut
49	100 144-1233 1	1	Nut	129	890 021-0393 2	1	Decal, ECHO
51	900 242-0402 0	3	Screw 4x20	131	_____	1	Guide bar
52	150 117-1373 0	1	Spacer	132	_____	1	Saw chain
54	159 010-1233 0	1	Spark plug (BPM 6A)				
55	159 011-0343 2	1	Coil spring, plug cap				
56	159 012-0343 3	1	Cap, spark plug				
59	900 162-0402 2	2	H S H. bolt 4x22	<b>Options:</b>			
61	177 234-1233 0	2	Ratchet spring	101	900 105 0501 2	2	H S.H. bolt 5x12
62	177 247-1233 0	2	Spacer, ratchet	102	880 210-1233 0	1	Spike
63	177 218-1233 0	2	Ratchet	103	900 500-0000 5	2	Nut 5
64	900 603-0000 5	2	Washer 5				

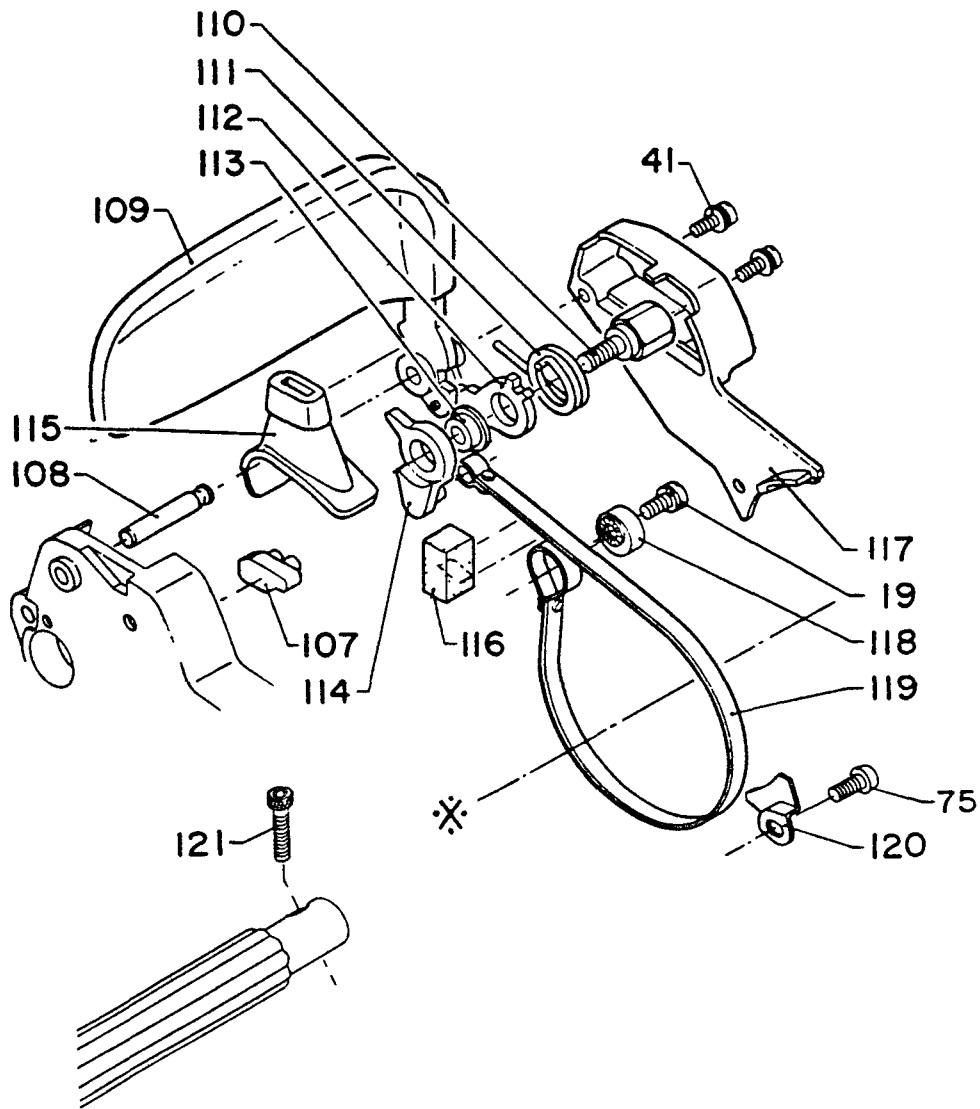
Remarks:

- 7 Consists of 7A, 7B and 8.
- 78 Consists of 78A and 78B thru 80.
- 83 Consists of 93 and 94.
- \* Consists of 87 thru 89.



Key No.	Part No.	Q'ty	Description	Key No.	Part No.	Q'ty	Description
2- 1	130 406-1433 0	1	Thumb bolt	2- 70	178 011-1233 1	1	Throttle rod
2	890 151-1523 1	1	Decal, caution	71	178 010-1233 2	1	Throttle trigger
3	130 313-1233 3	1	Cover, air cleaner	72	900 340-5002 5	1	Spring pin 5x25
4	900 720-0000 3	1	O-ring 3	73	900 340-4001 3	2	Spring pin 4x13
5	130 310-1253 1	1	Air filter	74	178 090-1233 0	1	Throttle control lockout
6	900 242-0504 5	2	Screw 5x45	75	178 091-1053 1	1	Spring
7	130 420-1233 2	1	Bracket, air cleaner	80	178 302-1233 0	1	Throttle latch
8	123 000-1373 0	1	Carburetor HDB3A	82	178 210-1233 0	1	Grommet
9	900 242-0401 4	2	Screw 4x14	84	178 043-1513 0	1	Spring return
10	130 511-1233 0	1	Holder, intake adapter	90	351 509-1523 0	1	Front handle
				92	351 617-1053 1	1	Insert, front handle (U)
11	130 013-1233 1	1	Adapter, carburetor	93	351 614-1233 0	1	Supporter
12	129 010-1233 0	1	Grommet	94	351 826-1373 0	1	Hand guard, front
14	351 137-1233 0	1	Stopper, cushion	95	351 840-1373 0	1	Stopper
18	900 162-0502 0	10	H S H bolt 5x20	96	900 162-0503 0	1	H.S H. bolt 5x30
				97	351 833-1373 0	1	Retainer
23	131 600-1233 1	1	Cap ass'y fuel tank	99	100 612-1233 2	1	Cover
22	-890 154-1513 0	1	Decal, fuel mix	100	351 836-1373 0	1	Spring, guard
24	-131 314-0033 0	1	Check valve	103	890 121-1233 1	1	Decal, choke
25	-131 015-1233 0	1	Holder, check valve	104	890 176-1303 1	1	Decal, noise
26	-900 720-0002 2	1	O-ring	109	895 410-0283 0	1	Wrench w/s, driver
27	131 010-1733 0	1	Fuel tank	110	895 812-0393 0	1	Screw driver
29	436 002-1363 0	1	Cap ass'y, oil tank	111	895 610-0013 0	1	L wrench 4
28	-890 153 1143 0	1	Decal, oil	112	351 147-1633 0	1	Insulator
30	-436 012-1233 0	1	Gasket, oil tank cap				
31	131 038-1233 1	1	Connector	3-	123 000-1373 0	1	Carburetor ass'y HDB3A
32	436 010-1233 2	1	Chain oil tank	1	-123 110 0393 0	1	Screw, pump cover
33	436 205-1473 0	1	Oil strainer	2	-123 124 1233 0	1	Cover fuel pump
34	132 115-1233 0	1	Grommet	3	-123 125-1233 0	1	Gasket, fuel pump
35	437 205-1233 0	1	Oil pipe (w/grommet)	4	-123 112-1233 0	1	Diaphragm, fuel pump
36	132 007-1233 0	1	Fuel pipe (w/grommet)	5	-123 114-0393 0	3	Screw throttle valve
37	131 205-0083 0	1	Fuel strainer	6	-123 132-1233 0	1	Valve, choke
38	900 603-0000 5	1	Washer 5	7	-123 136 1063 0	1	Ball, choke friction
****	177 200-1253 1	1	Recoil starter ass'y	8	-123 135-1063 0	1	Spring, choke friction
41	-900 241-0501 0	1	Screw 5x10	9	-123 126 1063 1	1	Screen, inlet
42	-900 603-0000 5	1	Washer	11	-123 113-1233 0	1	Spring throttle return
43	-177 226 0283 0	1	Starter rope	12	-123 117-1233 0	1	Shaft ass'y, throttle
44	-177 206 1233 1	1	Recoil drum	13	-123 116-0393 0	1	Valve, throttle
46	-177 242-1233 0	1	Side plate	14	-123 131-1233 0	1	Shaft ass'y, choke
47	-177 220-0283 4	1	Rewind spring	15	-123 156-1233 0	1	Throttle stop
48	-177 221-0283 0	1	Side plate	16	-123 133-1113 0	1	Spring, idle screw
49	-177 228 1233 0	1	Starter handle	17	-123 134-0653 0	1	Screw, idle adjustment
50	-177 227-0023 0	1	Rope guide	18	-123 118 1233 0	1	Needle, idle
53	-101 507-1253 1	1	Fan cover	19	-123 121-0393 0	2	Spring, needle
54	-177 229-1433 0	1	Washer	20	-123 120-1233 0	1	Needle, high speed
52	890 112-1233 1	1	Decal	22	-123 122-0393 0	1	Spring, metering lever
55	900 242-0501 0	1	Screw 5x10	23	-123 137-0393 0	1	Valve, inlet needle
57	100 910-1253 0	6	Cushion	24	-123 164-1233 0	1	Gasket, circuit plate
58	100 915-1253 0	6	Screw	25	-123 166 1233 0	1	Plate, circuit
59	100 918-1433 0	6	Plug	26	-123 167-1233 0	2	Screw, circuit plate
60	351 123-1253 1	1	Supporter	27	-123 140-1063 0	1	Gasket, metering diaphragm
61	351 138-1433 2	1	Cover, cushion	28	-123 141-1233 0	1	Diaphragm, metering
62	100 921-1233 1	1	Cushion	29	-123 142-1233 0	1	Cover, metering diaphragm
63	900 605-0000 5	6	Spring washer 5	30	-123 144-0393 0	4	Screw
64	900 242-0401 0	2	Screw 4x10	(10)	-Not Available	1	Body ass'y, carburetor
65	163 400-1523 0	1	Switch	Remarks: 23 Consists of 22 thru 26. 29 Consists of 28 thru 30. **** Consists of 41 thru 51 and 54 except 45. 3- Consists of 1 thru 30. Except 21.			
66	178 810-1123 1	1	Grommet				
67	178 510-1233 0	1	Choke rod				
68	351 110-1233 1	1	Rear handle				
69	351 111-1233 0	1	Grip, rear handle				

CS-500EVLP (Chain brake type)



Key No.	Part No.	Q'ty	Description	Key No.	Part No.	Q'ty	Description
**	<b>433 200-1523 0</b>	<b>1</b>	<b>Chain brake ass'y</b>	113	-433 115-1233 0	1	Spacer
19	-900 241-0501 0	1	Screw 5x10	114	-433 117-1233 0	1	Connector
41	-900 242-0401 0	3	Screw 4x10	115	-433 312-1233 0	1	Brake band cover
75	-900 220-0501 0	1	Screw 5x10	116	-433 313-1233 0	1	Dust seal
107	-433 149-1253 0	1	Reset tubber	117	-433 310-1233 0	1	Cover
108	-433 113-1233 0	1	Pivot bolt	118	-433 142-1233 0	1	Band adjuster
109	-433 105-1233 1	1	Brake handle	119	-433 123-1233 0	1	Brake band
110	-433 134-1233 0	1	Bolt	120	-433 144-1433 0	1	Band retainer
111	-433 114-1233 0	1	Spring	121	-900 162-0502 5	1	H.S.H. bolt 5x25
112	-433 119-1233 0	1	Stopper				