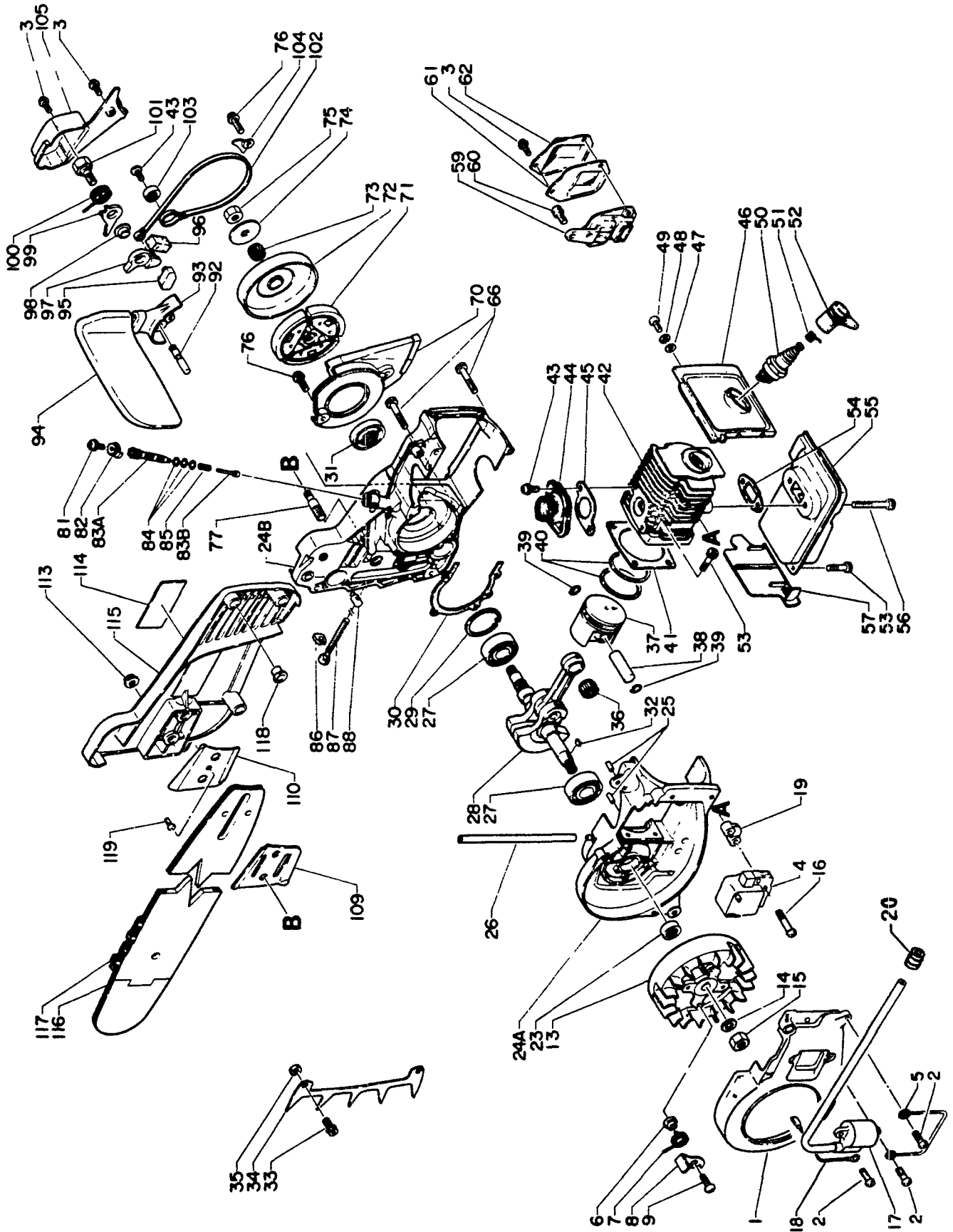




**CHAIN SAW PARTS BOOK
MODEL CS-400EVL**

**ECHO, INCORPORATED
400 OAKWOOD ROAD, LAKE ZURICH, IL 60047**

**898 595-1453 1
1/84**



Key No.	Part Number	Q'ty	Description	Key No.	Part Number	Q'ty	Description
1- 1	101 585-1453 0	1	Fan cover, inner	73	100 113-0463 0	1	Needle bearing
2	900 242-0401 6	6	Screw 4x16	74	175 015-0343 0	1	Washer, clutch
4	156 601-1453 0	1	C.D ignition module	75	100 129-0343 0	1	Nut
5	156 635-1523 0	1	Ground plate	76	900 242-0501 6	2	Screw 5x16
				77	433 011-1453 0	2	Stud, guide bar
6	177 247-0393 2	2	Spacer	81	900 220-0501 0	1	Screw 5x10
7	177 234-1453 0	2	Spring, ratchet	82	437 059-1113 3	1	Lock washer
8	177 218-1453 0	2	Ratchet	83	437 000-1513 0	1	Auto oiler ass'y
9	177 217-1453 0	2	Screw	84	-437 020-0283 0	3	O-ring
13	156 801-1453 0	1	Flywheel	85	-437 019-0283 0	1	Coil spring
14	900 611-0000 8	1	Lock washer 8	86	433 028-1103 0	1	Clip
15	900 500-0000 8	1	Nut 8	87	433 016-1103 1	1	Screw, adjustment
16	159 314-1453 0	2	Screw	88	433 014-0393 2	1	Tensioner
17	156 626-1523 0	1	Ignition coil	109	433 013-1453 0	1	Side plate
18	156 630-1523 0	1	Lead	110	433 012-1453 1	1	Side plate
19	156 117-1453 0	1	Spacer	113	433 019-0393 2	1	Flange nut
20	132 115-1233 0	1	Grommet	114	890 021-0393 2	1	Decal, ECHO
23	100 212-1123 0	1	Oil seal	115	433 010-1463 1	1	Cover, guide bar
24	100 200-1453 3	1	Crankcase set	116	430 711-1463 0	1	Guide bar, 16E50
25	-100 215-0393 0	2	Knock pin	117	431 711-1463 0	1	Saw chain, 33LG-66X
26	130 110-1453 0	1	Pipe impulse	118	433 030-1463 0	2	Knock
27	900 810-0620 2	2	Ball bearing 6202	119	900 241-0300 6	1	Screw 3x6
(A) 28	100 110-15930	1	Crankshaft ass'y	Option			
29	900 702-0003 5	1	Circlip 35		433 100-1463 0	1	Chain brake ass'y
30	900 702-1453 0	1	Gasket, crankcase	3	-900 242-0401 2	2	Screw 4x12
	1 80014 + 7330	2	Spacer				
31	100 213-0283 0	1	Oil seal	92	-433 113-1233 0	1	Pin
32	100 142-1233 0	1	Woodruff key	93	-433 312-1233 0	1	Cover
36	100 012-1233 0	1	Needle bearing	94	-433 105-1463 0	1	Handle
37	100 010-1453 2	1	Piston	95	-433 149-1463 0	1	Reset rubber
38	100 013-0573 1	1	Piston pin	96	-433 313-1233 0	1	Dust seal
39	100 015-0012 0	2	Circlip, piston pin	97	-433 117-1233 0	1	Connector
40	100 011-1053 0	2	Piston ring	98	-433 115-1233 0	1	Spacer
41	101 010-1633 0	1	Gasket, cylinder base	99	-433 119-1233 0	1	Stopper
42	101 011-1453 0	1	Cylinder	100	-433 114-1233 0	1	Spring
43	900 242-0501 0	2	Screw 5x10	101	-433 134-1233 0	1	Bolt
44	130 508-1453 0	1	Adapter, intake	102	-433 123-1463 0	1	Brake band
45	130 010-1233 0	1	Gasket	103	-433 142-1233 0	1	Adjuster, brake band
46	101 514-1453 0	1	Cylinder cover	104	-433 144-1433 0	1	Retainer, brake band
47	900 602-0000 4	2	Washer 4	105	-433 310-1463 0	1	Cover, brake band
48	900 605-0000 4	2	Spring washer 4	33	900 105-0501 2	2	H S H bolt 5x12
49	900 220-0401 2	2	Screw 4x12	34	880 210-0343 0	1	Spike
50	159 010-1233 0	1	SPark plug (BPM 6A)	35	900 500-0000 5	2	Nut 5
51	159 011-0343 2	1	Coil spring, plug cap				
52	159 012-0343 3	1	Cap, spark plug				
53	900 162-0502 0	1	H S H bolt 5x20				
54	145 510-1053 0	1	Gasket, muffler				
55	145 610-1453 0	1	Muffler				
56	900 162-0504 0	2	H S H bolt 5x40				
57	100 270-1453 0	1	Insulator				
59	145 806 1453 0	1	Adapter				
60	900 106-0501 2	2	H S H bolt 5x12				
61	145 862-1453 0	1	Screen				
62	145 863-1453 0	1	Screen holder				
66	900 162-0503 0	6	H.S H bolt 5x3C				
70	175 310-1453 0	1	Plate				
71	175 000-1453 0	1	Clutch ass'y				
72	175 105-1453 0	1	Clutch case				

Remarks:

24; Includes 25

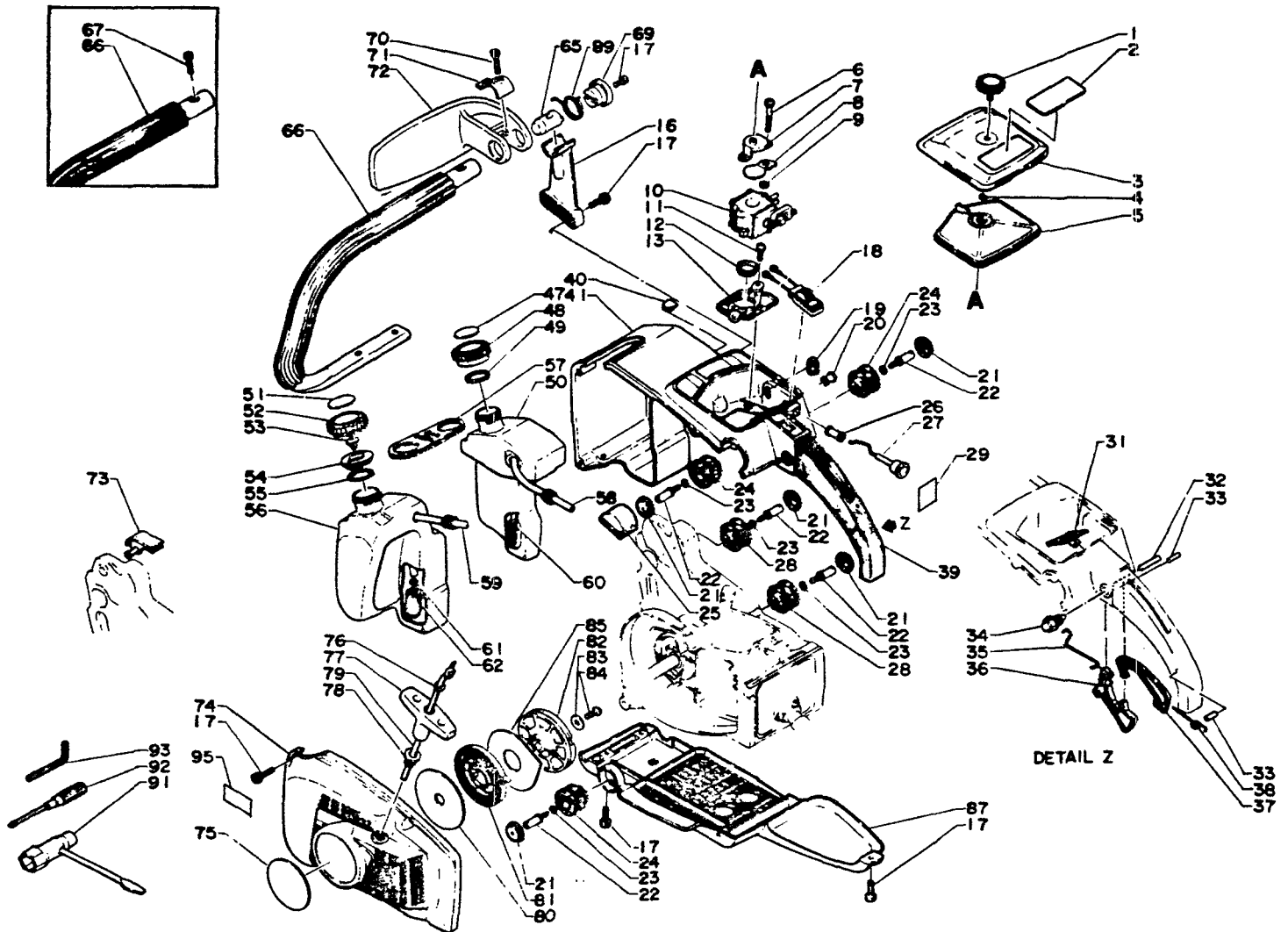
* ; Consists of 3 and 92 thru 105
900 162-0502 5 (1)

83; Includes 84 and 85

Option

* 433 100-1463 0

(A) See bulletin 85-025



Key No.	Part Number	Q'ty	Description	Key No.	Part Number	Q'ty	Description
2-1	130 406-1433 0	1	Thumb bolt	23	900 605-0000 5	5	Spring washer 5
2	890 151-1453 1	1	Decal, model	24	100 910-1253 0	3	Cushion
3	130 313-1453 1	1	Cover, air cleaner	25	351 138-1433 2	1	Cover, cushion
4	900 720-0000 3	1	O-ring 3	26	178 810-1453 0	1	Grommet
5	130 310-1453 0	1	Air filter	27	178 510-1453 0	1	Choke rod
6	900 242-0504 0	2	Screw 5x40	28	100 917-1453 0	2	Cushion
7	130 420-1453 0	1	Bracket, air cleaner	29	890 121-1233 1	1	Decal, choke
8	178 515-0393 0	1	Choke shutter	31	178 210-1453 0	1	Grommet
9	178 516-0083 0	2	Spacer	32	900 340-5002 5	1	Spring pin 5x25
10	123 000-1463 0	1	Carburetor ass'y WA 96	33	900 340-4001 3	2	Spring pin 4x13
11	900 242-0401 2	2	Screw 4x12	34	178 302-1233 0	1	Throttle latch
12	130 511-1233 0	1	Holder, intake adapter	35	178 011-1453 0	1	Throttle rod
13	130 013-1453 0	1	Adapter, carburetor	36	178 010-1233 1	1	Throttle trigger
16	351 614-1453 0	1	Supporter	37	178 090-1233 0	1	Throttle control lockout
17	900 162-0502 0	8	H.S.H.bolt 5x20	38	178 091-1053 1	1	Spring
18	163 400-1523 0	1	Switch	39	351 111-1233 0	1	Grip, rear handle
19	129 010-0393 0	1	Grommet	40	351 137-1233 0	1	Stopper, cushion
20	129 023-1453 0	1	Grommet	41	351 110-1453 0	1	Rear handle
21	100 918-1433 0	5	Plug	47	436 002-1363 0	1	Cap ass'y, oil tank
22	100 915-1433 2	5	Screw	48	-890 153-1143 0	1	Decal, chain oil
				49	-436 000-1233 0	1	Cap, oil tank
					-436 012-1233 0	1	Gasket, oil tank cap

Key No.	Part Number	Q'ty	Description	Key No.	Part Number	Q'ty	Description
2-50	436 010-1453 0	1	Oil tank	(A) 71	351 840-1453 0	1	Stopper
**	131 600-1233 1	1	Cap ass'y, fuel tank	72	351 826-1373 0	1	Hand guard, front
51	-890 154-1513 0	1	Decal, fuel mix	73	100 612-1233 2	1	Cover
52	-131 017-1233 0	1	Cap, fuel tank	75	890 012-1113 3	1	Decal, ECHO
53	-131 314-0033 0	1	Valve, check	***	177 200-1453 1	1	Starter ass'y
54	-131 015-1233 0	1	Holder, check valve	74	-101 507-1453 0	1	Fan cover
55	-900 720-0002 2	1	O-ring 22	76	-177 229-1433 0	1	Spacer
56	131 010-1453 0	1	Fuel tank	77	-177 228-1233 0	1	Starter handle
57	131 038-1233 1	1	Connector	78	-177 227-0023 0	1	Rope guide
58	437 205-1453 0	1	Pipe, oil (w/grommet)	79	-177 226-0393 0	1	Starter rope
59	132 007-1453 0	1	Pipe, fuel (w/grommet)	80	-177 221-0393 0	1	Side plate
60	436 205-1233 0	1	Strainer, chain oil	81	-177 220-0393 0	1	Rewind spring
61	900 603-0000 5	1	Washer 5	82	-177 215-1453 1	1	Recoil drum
62	131 205-0083 0	1	Strainer, fuel	83	-177 214-0283 0	1	Washer
66	351 205-1453 0	1	Front handle	84	-900 241-0501 0	1	Screw 5x10
65	-351 617-1053 1	1	Insurt, front handle	85	-177 242-0393 0	1	Side plate
67	900 162-0502 5	1	H.S.H.bolt 5x25	87	351 123-1453 0	1	Supporter
69	351 833-1373 0	1	Retainer	89	351 836-1513 0	1	Spring, guard
70	900 162-0503 0	1	H.S.H.bolt 5x30	91	895 410-0393 0	1	Wrench w s. driver
				92	895 812-0393 0	1	Screw driver
				93	895 610-0013 0	1	L-wrench, 4mm.
				95	890 176-1303 1	1	Decal, noise

Remarks:

* : Consists of 47 thru 49

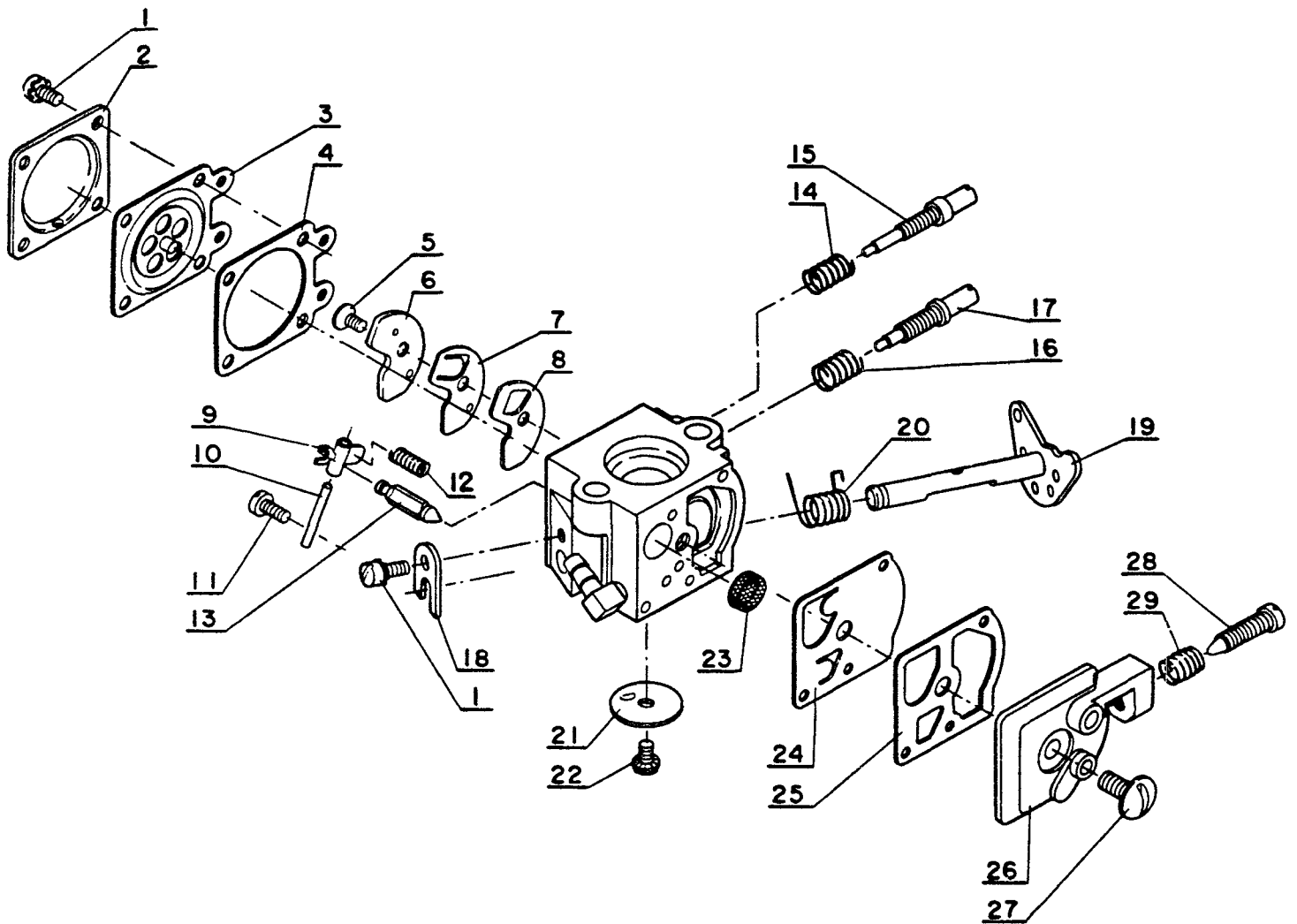
** : Consists of 51 thru 55

66 ; Includes 65

67 ; Included Chain brake ass'y

*** ; Consists of 74 and 76 thru 85

(A) For saws prior to S/N 0061896
use 351 834-1453 0

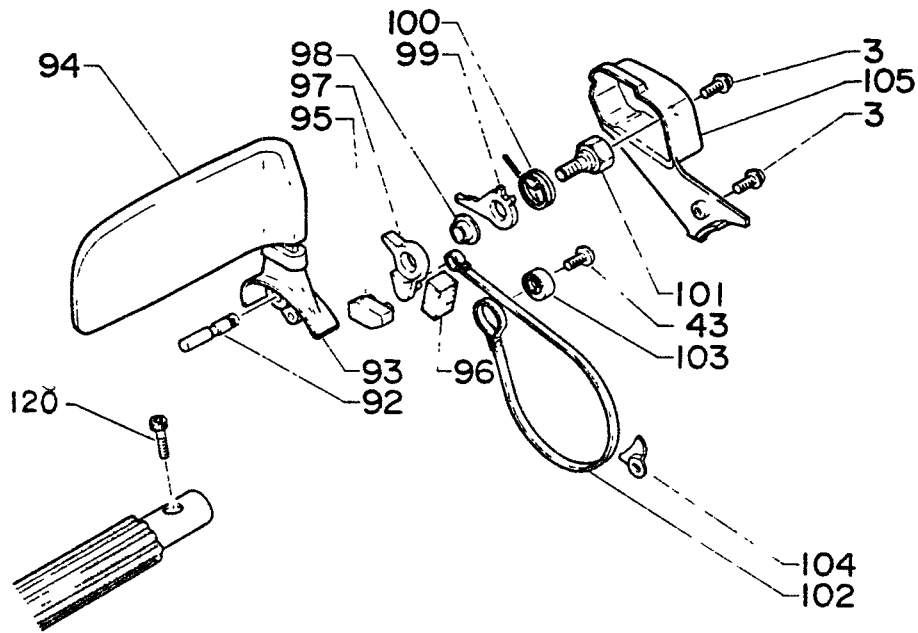


Key No	Part Number	Q'ty	Description	Key No	Part Number	Q'ty	Description
3-	123 000-1463 0	1	Carburetor ass'y (WA-96)	3-15	-123 120-1453 0	1	Needle, high speed
1	-123 144-0393 0	5	Screw	16	123 121-0393 0	1	Spring, idle needle
2	-123 142-0393 0	1	Cover, metering diaphragm	17	123 118-0623 0	5	Needle, idle
3	-123 141-0393 0	1	Diaphragm, metering	18	123 127-0393 0	1	Clip, throttle shaft
4	-123 140-0393 0	1	Gasket, m. diaphragm	19	123 117-1453 0	1	Shaft, throttle
5	-123 167-0523 0	1	Screw, circuit plate	20	123 113-0393 0	1	Spring, throttle return
6	-123 166-0393 0	1	Plate, circuit	21	123 116-0393 0	1	Valve, throttle
7	-123 165-0393 0	1	Check valve, c/p	22	123 114-0393 0	1	Screw, throttle valve
8	-123 164-0393 0	1	Gasket, circuit plate	23	123 126-0393 0	1	Screen, inlet
9	-123 123-0393 0	1	Lever, metering	24	123 112-0393 0	1	Diaphragm, fuel pump
10	-123 138-0393 0	1	Pin, metering lever	25	123 125-0393 0	1	Gasket, fuel pump
11	-123 139-0393 0	1	Screw, metering lever pin	26	-123 124-1453 0	1	Cover, fuel pump
12	-123 122-0653 0	1	Spring, metering lever	27	-123 110-0393 0	1	Screw, pump cover
13	-123 137-0393 0	1	Valve, inlet needle	28	-123 134-0653 0	1	Screw, idle adjustment
14	-123 119-0393 0	1	Spring, H S needle	29	-123 133-1113 0	1	Spring, idle screw

Also see bulletin 543

Remarks
*Consists of 1 thru 29

CS-400EVLP (Chain brake type)



Key No.	Part Number	Q'ty	Description
•	433 100-1463 0	1	Chain brake ass'y
3	-900 242-0401 2	2	Screw 4x12
92	-433 113-1233 0	1	Pin
93	-433 312-1233 0	1	Cover
94	-433 105-1463 0	1	Handle
95	-433 149-1463 0	1	Reset rubber
96	-433 313-1233 0	1	Dust seal
97	-433 117-1233 0	1	Connector
98	-433 115-1233 0	1	Spacer
99	-433 119-1233 0	1	Stopper
100	-433 114-1233 0	1	Spring
101	-433 134 1233 0	1	Bolt
102	-433 123-1463 0	1	Brake band
103	-433 142-1233 0	1	Adjuster, brake band
104	-433 144-1433 0	1	Retainer, brake band
105	-433 310-1463 0	1	Cover, brake band
120	-900 162-0502 5	1	H S H bolt 5x25