



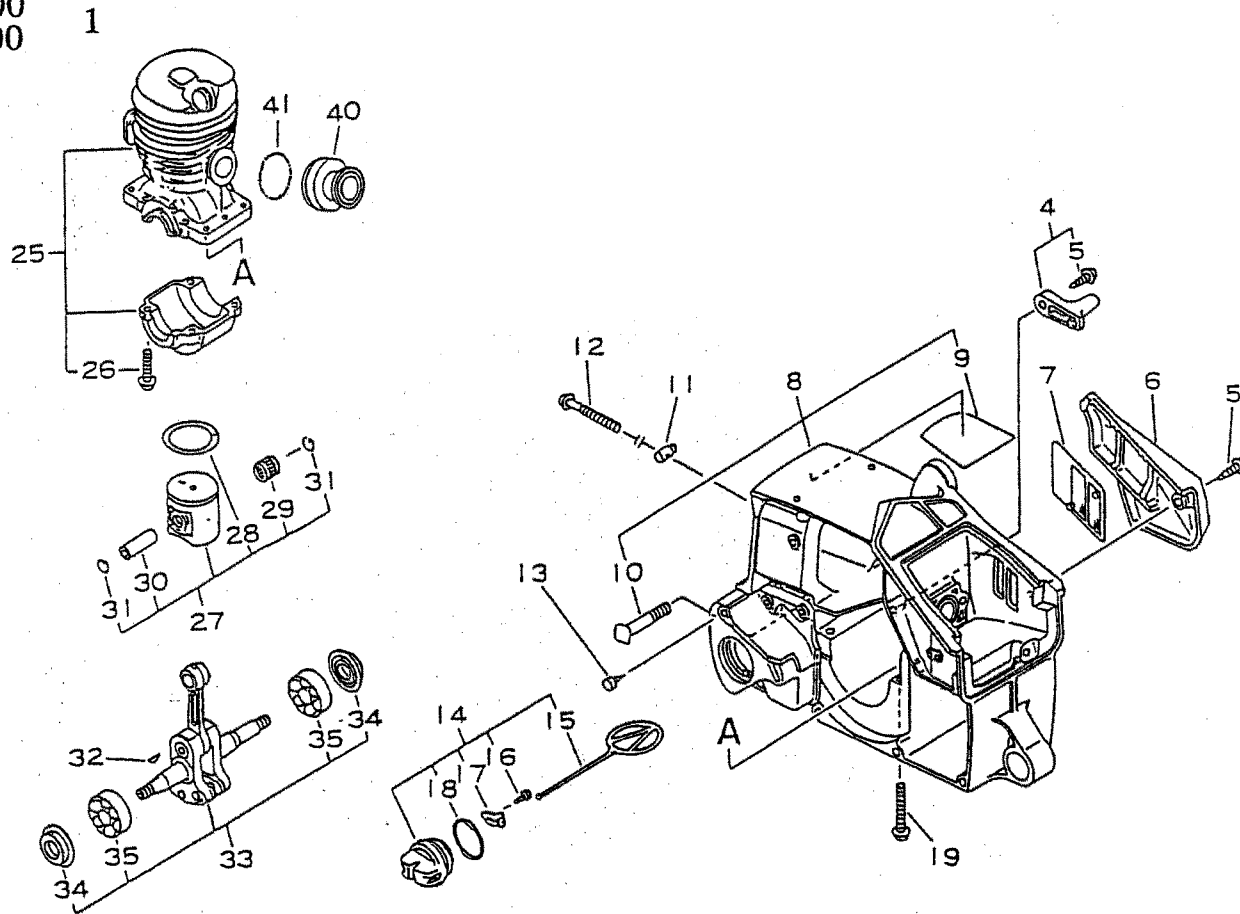
# **PARTS CATALOGUE**

**ECHO  
CHAIN SAW**

**CS-3600**

**CS-3900**

CS-3600  
CS-3900



| KEY LV PART NUMBER | Q'TY           | DESCRIPTION          | KEY LV PART NUMBER | Q'TY           | DESCRIPTION          |
|--------------------|----------------|----------------------|--------------------|----------------|----------------------|
| 4                  | 433000-35430   | 1 CATCHER KIT, CHAIN | 15                 | + 131051-19830 | 1 LINK               |
| 5                  | + 900252-05020 | 1 SCREW 5*20         | 16                 | + 900246-03008 | 1 SCREW 3*8          |
| 5                  | 900252-05020   | 1 SCREW 5*20         | 17                 | + 131050-19830 | 1 RETAINER, LINK     |
| 6                  | 104012-35430   | 1 COVER, DUST (BS)   | 18                 | + 900725-02025 | 1 O-RING             |
| 7                  | 104016-35430   | 1 PLATE, DUST        | 19                 | 900162-05030   | 4 BOLT, H.S. 5*30    |
| 8                  | 104008-37330   | 1 COVER, ENGINE      | 32                 | 100142-39130   | 1 KEY, WOODRUFF      |
| 9                  | + 101520-35430 | 1 COVER              | 33                 | 100101-35430   | 1 CRANKSHAFT ASSY    |
| 10                 | + 433011-19830 | 2 STUD, GUIDE BAR    | 34                 | + 100213-38330 | 2 OILSEAL            |
| 11                 | 433014-03931   | 1 TENSIONER          | 35                 | + 900810-36201 | 2 BEARING, BALL 62v1 |
| 12                 | 433016-35430   | 1 SCREW, TENSIONER   | 41                 | 130516-35430   | 1 SPRING, TENSION    |
| 13                 | 436114-13930   | 1 VALVE, CHECK       |                    |                |                      |
| 14                 | 436001-19833   | 1 CAP ASSY, OIL TANK |                    |                |                      |

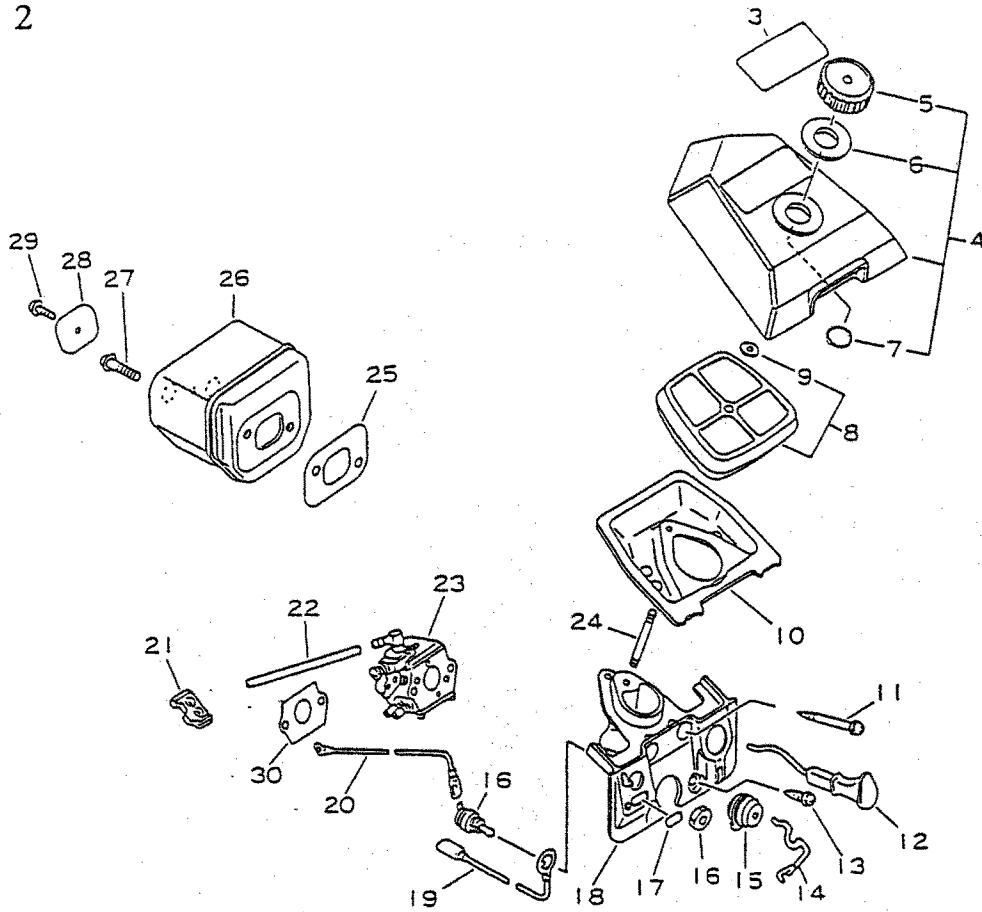
CS-3600

CS-3900

|    |                |                       |    |                |                       |
|----|----------------|-----------------------|----|----------------|-----------------------|
| 25 | 100202-35431   | 2 CRANKCASE SET       | 25 | 100202-37331   | 1 CRANKCASE SET       |
| 26 | + 900162-05030 | 4 BOLT, H.S. 5*30     | 26 | + 900162-05025 | 4 BOLT, H.S. 5*25     |
| 27 | 100000-35430   | 1 PISTON KIT          | 27 | 100000-37330   | 1 PISTON KIT          |
| 28 | + 100011-13330 | 1 RING, PISTON        | 28 | + 100011-37330 | 1 RING, PISTON        |
| 29 | + 100012-35430 | 1 BEARING, NEEDLE     | 29 | + 100012-35430 | 1 BEARING, NEEDLE     |
| 30 | + 100013-35430 | 1 PIN, PISTON         | 30 | + 100013-35430 | 1 PIN, PISTON         |
| 31 | + 100015-03930 | 2 CIRCLIP, PISTON PIN | 31 | + 100015-03930 | 2 CIRCLIP, PISTON PIN |
| 40 | 130510-35430   | 1 BELLOWS, INTAKE     | 40 | 130510-37330   | 1 ADAPTER, INTAKE     |

CS-3600  
CS-3900

2

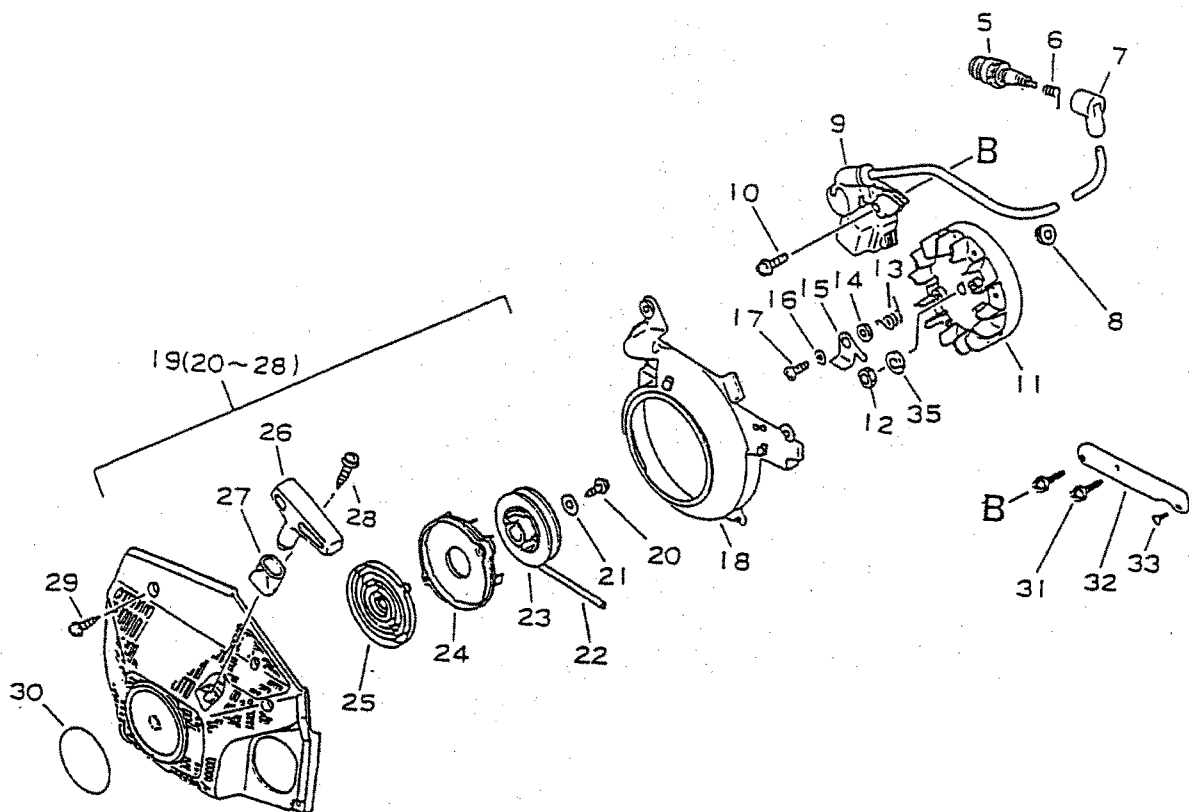


| KEY LV PART NUMBER | Q'TY | DESCRIPTION                    | KEY LV PART NUMBER | Q'TY | DESCRIPTION                       |
|--------------------|------|--------------------------------|--------------------|------|-----------------------------------|
| 4                  | 1    | COVER, AIR CLN W/SCR           | 16                 | 1    | SWITCH, IGNITION                  |
| 5 +                | 1    | 130406-33331 KNOB, CLEANER LID | 17                 | 1    | 890157-39130 LABEL, SWITCH        |
| 6 +                | 1    | 130414-37330 GASKET, CIRCULAR  | 18                 | 1    | 130405-35430 BRACKET, AIR CLEANER |
| 7 +                | 1    | 900720-00011 O-RING            | 11                 | 1    | 156621-35430 LEAD                 |
| 8                  | 1    | 130305-35430 CLEANER ASSY, AIR | 21                 | 1    | 132115-35430 GROMMET              |
| 9 +                | 1    | 130414-35430 CAP, INSIDE       | 22                 | 1    | 437211-16431 PIPE 3# 6#104        |
| 10                 | 1    | 130320-35430 SEAL              | 24                 | 1    | 130325-32330 STUD, AIR CLEANER    |
| 11                 | 2    | 900252-05055 SCREW 5*55        | 25                 | 1    | 145510-35431 GASKET, MUFFLER      |
| 12                 | 1    | 178510-35430 ROD, CHOKE        | 26                 | 1    | 145810-35430 MUFFLER              |
| 13                 | 1    | 900252-05020 SCREW 5*20        | 27                 | 2    | 900162-05018 BOLT, H.S. 5*18      |
| 14                 | 1    | 178011-35430 ROD, THROTTLE     | 28                 | 1    | 145711-35430 PLATE                |
| 15                 | 1    | 178114-35430 GROMMET, THROTTLE | 29                 | 1    | 900238-04008 SCREW 4* 8           |
|                    |      |                                | 30                 | 1    | 130010-35430 GASKET, CARBURETOR   |

CS-3600

CS-3900

|    |   |                                |    |   |                                 |
|----|---|--------------------------------|----|---|---------------------------------|
| 3  | 1 | 890370-35430 LABEL, MODEL      | 3  | 1 | 890370-38330 LABEL, MODEL       |
| 20 | 1 | 156630-35430 LEAD              | 20 | 1 | 156630-37330 LEAD               |
| 23 | 1 | 123000-35430 CARBURETOR WT-88A | 23 | 1 | 123000-37332 CARBURETOR WT-118B |



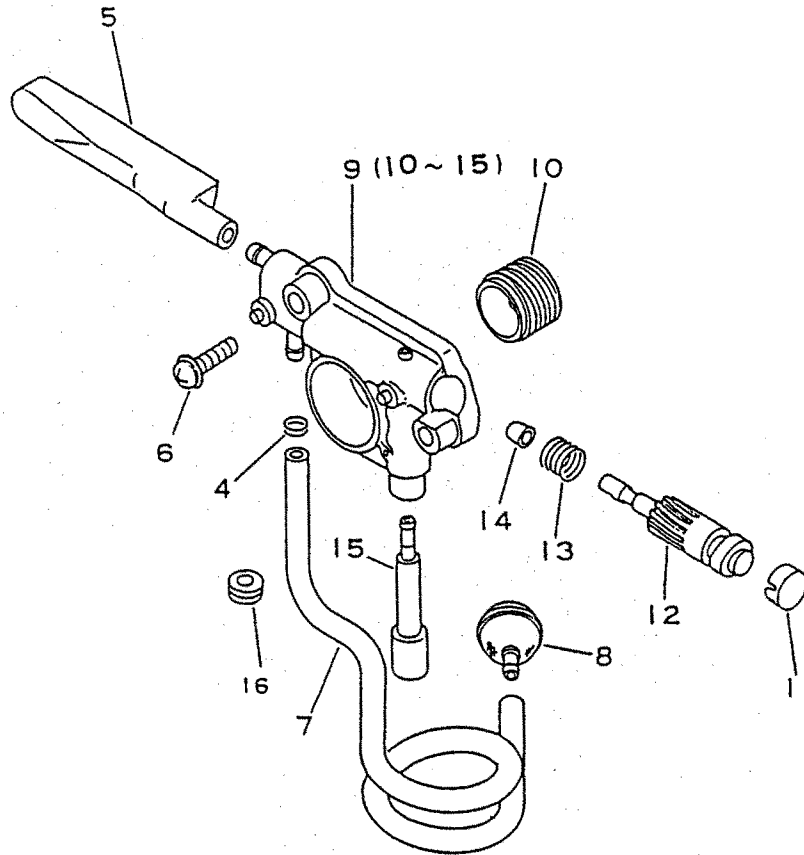
| KEY LV PART NUMBER | Q'TY | DESCRIPTION          | KEY LV PART NUMBER | Q'TY | DESCRIPTION      |
|--------------------|------|----------------------|--------------------|------|------------------|
| 5                  | 1    | PLUG, SPARK RCJ-7Y   | 22                 | 1    | ROPE, STARTER    |
| 6                  | 1    | COIL, SPARK PLUG CAP | 23                 | 1    | DRUM, STARTER    |
| 7                  | 1    | CAP, SPARK PLUG      | 24                 | 1    | PLATE, STARTER   |
| 8                  | 1    | GROMMET              | 25                 | 1    | SPRING, REWIND   |
| 10                 | 2    | BOLT, H. S. 4*12     | 26                 | 1    | GRIP, STARTER    |
| 12                 | 1    | NUT 8                | 27                 | 1    | GUIDE, ROPE      |
| 13                 | 2    | SPRING, RETURN       | 28                 | 1    | SCREW 3*14       |
| 14                 | 2    | WASHER 5             | 29                 | 4    | SCREW 5*20       |
| 15                 | 2    | SPACER, BATCHET      | 30                 | 1    | LABEL, ECHO      |
| 16                 | 2    | PAWL, STARTER        | 31                 | 2    | BOLT             |
| 17                 | 2    | SCREW 5*14           | 32                 | 1    | PLATE, CONTACT   |
| 18                 | 1    | COVER, FAN           | 33                 | 1    | SCREW 4* 8       |
| 19                 | 1    | STARTER, ASSY        | 35                 | 1    | WASHER, SPRING 8 |
| 20                 | 1    | SCREW 5*14           |                    |      |                  |
| 21                 | 1    | WASHER               |                    |      |                  |

CS-3600

CS-3900

|    |              |   |                      |
|----|--------------|---|----------------------|
| 9  | 156601-35430 | 1 | C. D IGNITION MODULE |
| 11 | 156800-35430 | 1 | FLYWHEEL             |

|    |              |   |                       |
|----|--------------|---|-----------------------|
| 9  | 156601-37330 | 1 | C. D. IGNITION MODULE |
| 11 | 156800-37330 | 1 | FLYWHEEL              |

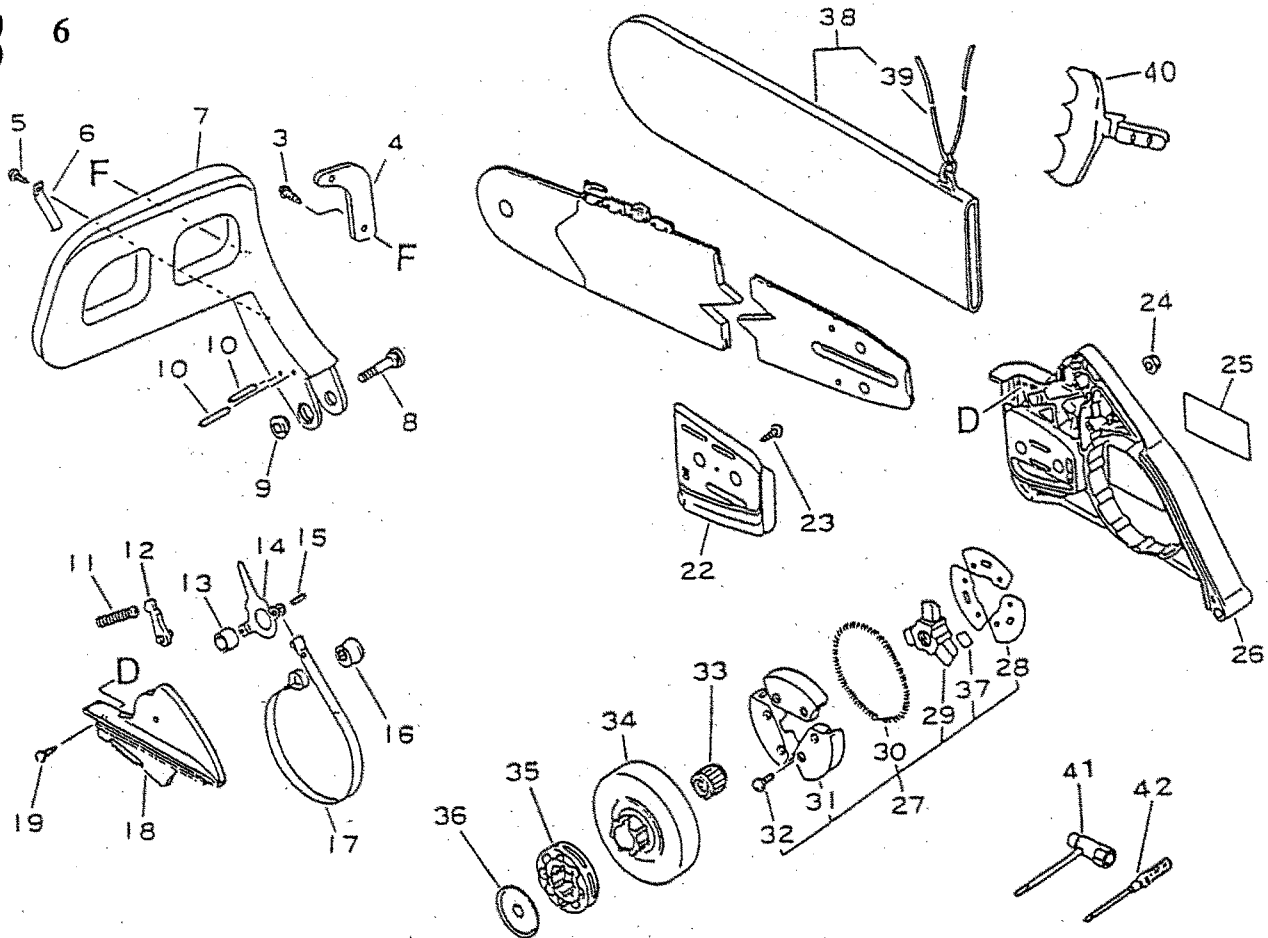


-----  
KEY LV PART NUMBER Q'TY DESCRIPTION  
-----

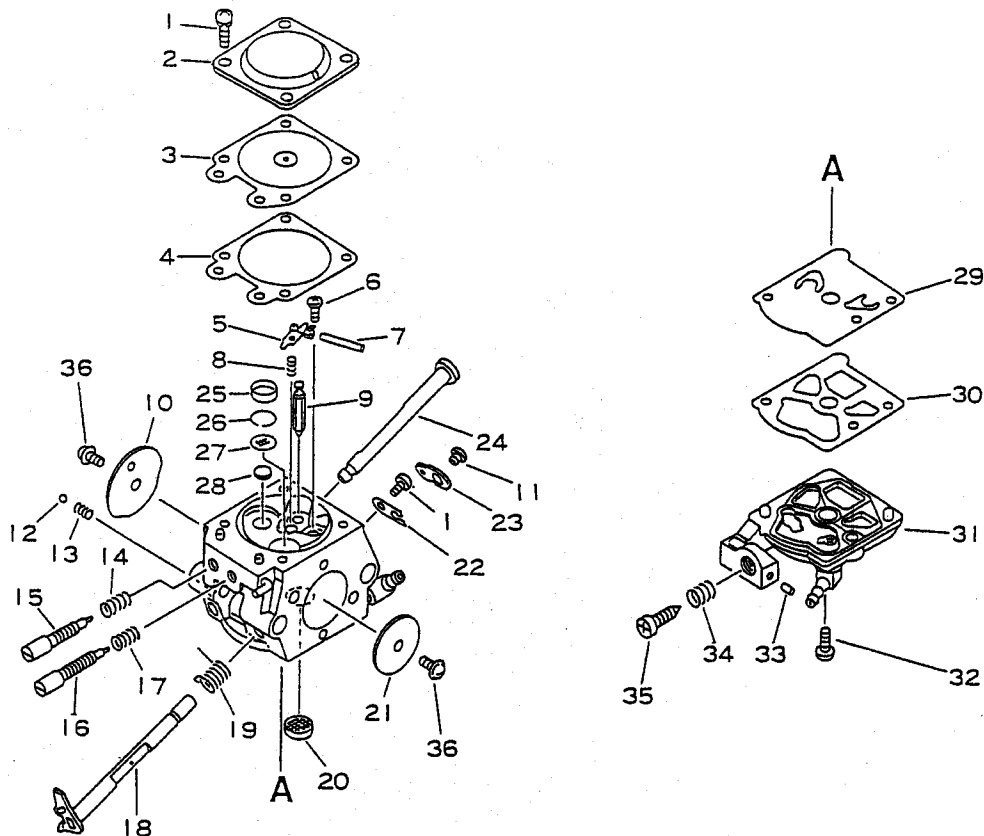
|    |                |   |                     |
|----|----------------|---|---------------------|
| 4  | 437411-19830   | 1 | CLIP, OIL PIPE      |
| 5  | 437211-35430   | 1 | PIPE, OIL           |
| 6  | 900162-04016   | 2 | BOLT, H.S. 4*16     |
| 7  | 437210-35430   | 1 | PIPE, OIL           |
| 8  | 436205-14730   | 1 | STRAINER, OIL       |
| 9  | 437000-35432   | 1 | AUTO-OILER ASSEMBLY |
| 10 | + 437063-35430 | 1 | GEAR, WORM          |
| 11 | + 437062-35431 | 1 | PLUG                |
| 12 | + 437803-35430 | 1 | PLUNGER W/VRING     |
| 14 | + 437020-35430 | 1 | V-RING              |
| 13 | + 437019-35430 | 1 | SPRING, OILER       |
| 15 | + 437009-35430 | 1 | PIN, CONTROL        |
| 16 | 132115-12330   | 1 | GROMMET             |



CS-3600 6  
CS-3900



| KEY LV PART NUMBER | Q'TY | DESCRIPTION                 | KEY LV PART NUMBER | Q'TY | DESCRIPTION                        |
|--------------------|------|-----------------------------|--------------------|------|------------------------------------|
| 3                  | 2    | SCREW 4*14                  | 26                 | 1    | GUARD, SPROCKET                    |
| 4                  | 1    | WEIGHT, BRAKE               | 27                 | 1    | CLUTCH ASSEMBLY                    |
| 5                  | 1    | SCREW 5*14                  | 28                 | +    | 175019-19830 3 PLATE, CLUTCH       |
| 6                  | 1    | SPRING, RETURN              | 29                 | +    | 175016-35430 1 HUB, CLUTCH         |
| 7                  | 1    | LEVER, BRAKE                | 30                 | +    | 175018-19830 1 SPRING, CLUTCH      |
| 8                  | 1    | SCREW                       | 31                 | +    | 175002-19830 1 SHOE, CLUTCH        |
| 9                  | 1    | NUT                         | 32                 | +    | 900105-04006 6 BOLT, H.S. 4* 6     |
| 10                 | 2    | ROLLER 3*24                 | 37                 | +    | 175062-35430 3 SPACER              |
| 11                 | 1    | SPRING, BRAKE               | 33                 | 1    | 175012-14630 1 BEARING, NEEDLE     |
| 12                 | 1    | STOPPER, BRAKE              | 34                 | 1    | 175105-35430 1 DRUM, CLUTCH        |
| 13                 | 1    | SPACER 8*12*9               | 35                 | 1    | 175114-12530 1 RIM, SPROCKET 31569 |
| 14                 | 1    | LEVER, BRAKE                | 36                 | 1    | 175015-35430 1 PLATE, CLUTCH       |
| 15                 | +    | 900330-40088 1 ROLLER 4*8.8 | 38                 | 1    | 898513-38330 1 SCABBARD, GUIDE BAR |
| 16                 | 1    | ADJUSTER                    | 39                 | +    | 898568-14530 1 ROPE                |
| 17                 | 1    | BAND, BRAKE                 | 40                 | 1    | 880210-36030 1 BUMPER, SPIKED      |
| 18                 | 1    | COVER, BRAKE                | 41                 | 1    | 895410-02830 1 WRENCH, W/S-DRIVER  |
| 19                 | 2    | SCREW 4*14                  | 42                 | 1    | 895812-03930 1 SCREWDRIVER 50      |
| 22                 | 1    | PLATE, SPROCKET GUAR        |                    |      |                                    |
| 23                 | 1    | SCREW 4* 8                  |                    |      |                                    |
| 24                 | 2    | NUT, FLANGE 8               |                    |      |                                    |
| 25                 | 1    | LABEL, ECHO                 |                    |      |                                    |



| KEY LV PART NUMBER | Q'TY | DESCRIPTION          | KEY LV PART NUMBER | Q'TY | DESCRIPTION          |
|--------------------|------|----------------------|--------------------|------|----------------------|
| 1 + 123130-02960   | 4    | SCREW                | 18 + 123117-37330  | 1    | SHAFT, THROTTLE      |
| 2 + 123142-03930   | 1    | COVER, M. DIAPHRAGM  | 19 + 123113-37530  | 1    | SPRING, THROTTLE RTN |
| 3 + 123141-03930   | 1    | DIAPHRAGM, METERING  | 20 + 123126-10631  | 1    | SCREEN, INLET        |
| 4 + 123140-03930   | 1    | GASKET, M. DIAPHRAGM | 22 + 123127-03930  | 1    | CLIP, THROTTLE SHAFT |
| 5 + 123123-38330   | 1    | LEVER, METERING      | 23 + 123150-35430  | 1    | LEVER, THROTTLE      |
| 6 + 123139-03930   | 1    | SCREW, M. LEVER PIN  | 24 + 123131-35430  | 1    | SHAFT, CHOKE         |
| 7 + 123138-03930   | 1    | PIN, METERING LEVER  | 29 + 123112-15030  | 1    | DIAPHRAGM, FUEL PUMP |
| 11 + 123114-03930  | 1    | SCREW                | 30 + 123125-15030  | 1    | GASKET, FUEL PUMP    |
| 12 + 123136-10630  | 1    | BALL, CHOKE FRICTION | 31 + 123124-35430  | 1    | COVER, FUEL PUMP     |
| 13 + 123135-10630  | 1    | SPRING, CHOKE FRICT. | 32 + 123110-03930  | 1    | SCREW, PUMP COVER    |
| 14 + 123119-22130  | 1    | SPRING, NEEDLE       | 33 + 123178-15030  | 1    | PLUG, FRICTION       |
| 17 + 123121-22130  | 1    | SPRING, NEEDLE       | 34 + 123133-04260  | 1    | SPRING, IDLE ADJUST  |
|                    |      |                      | 35 + 123134-04260  | 1    | SCREW, IDLE ADJUST   |
|                    |      |                      | 36 + 123114-38830  | 2    | SCREW                |

**CS-3600**

|                   |   |                      |
|-------------------|---|----------------------|
| 123000-35430      | 1 | CARBURETOR WT-88A    |
| 8 + 123122-06530  | 1 | SPRING, METER. LEVER |
| 9 + 123137-04260  | 1 | VALVE, INLET NEEDLE  |
| 10 + 123116-10130 | 1 | VALVE, THROTTLE      |
| 15 + 123120-35430 | 1 | NEEDLE, HIGH SPEED   |
| 16 + 123118-35430 | 1 | NEEDLE, IDLE         |
| 21 + 123132-35430 | 1 | VALVE, CHOKE         |

**CS-3900**

|                   |   |                      |
|-------------------|---|----------------------|
| 123000-37332      | 1 | CARBURETOR WT-118B   |
| 8 + 123122-11130  | 1 | SPRING, METER. LEVER |
| 9 + 123137-19830  | 1 | VALVE, INLET NEEDLE  |
| 10 + 123116-10530 | 1 | VALVE, THROTTLE      |
| 15 + 123120-37330 | 1 | NEEDLE, HIGH SPEED   |
| 16 + 123118-37330 | 1 | NEEDLE, IDLE         |
| 21 + 123132-37330 | 1 | VALVE, CHOKE         |
| 25 + 123146-17330 | 1 | PLUG, WELCH          |
| 26 + 123169-10630 | 1 | RING, RETAINING      |
| 27 + 123168-10631 | 1 | SCREEN               |
| 28 + 123146-10631 | 1 | PLUG, WELCH          |