



OPTIONAL ACCESSORIES &

Chain Saw Carry Bag	103942147
12-20" Scabbard	89850308034
ToughChest-18 Case	99988801208
Chain Sharpening Kit	99988800720
5/32" File - 12pk	99988801720
5/32" File - 2 pk	99988801700

Guide Bar: .050" gauge

14A0ED3752
16A0ED3757

Saw Chain: 3/8" chain pitch

91PX52CQ
91PX57CQ

SAFETY EQUIPMENT

Helmet System	99988801500
Chaps - 36' Apron	99988801300
Chaps - 36" Full Wrap	99988801302
Chaps - 40' Apron	99988801301
Chaps - 40" Full Wrap	99988801303
Hearing Protection	99988801502

PARTS CATALOG

**CS-355T
Chain Saw**



35.8 cc

SERIAL NUMBER

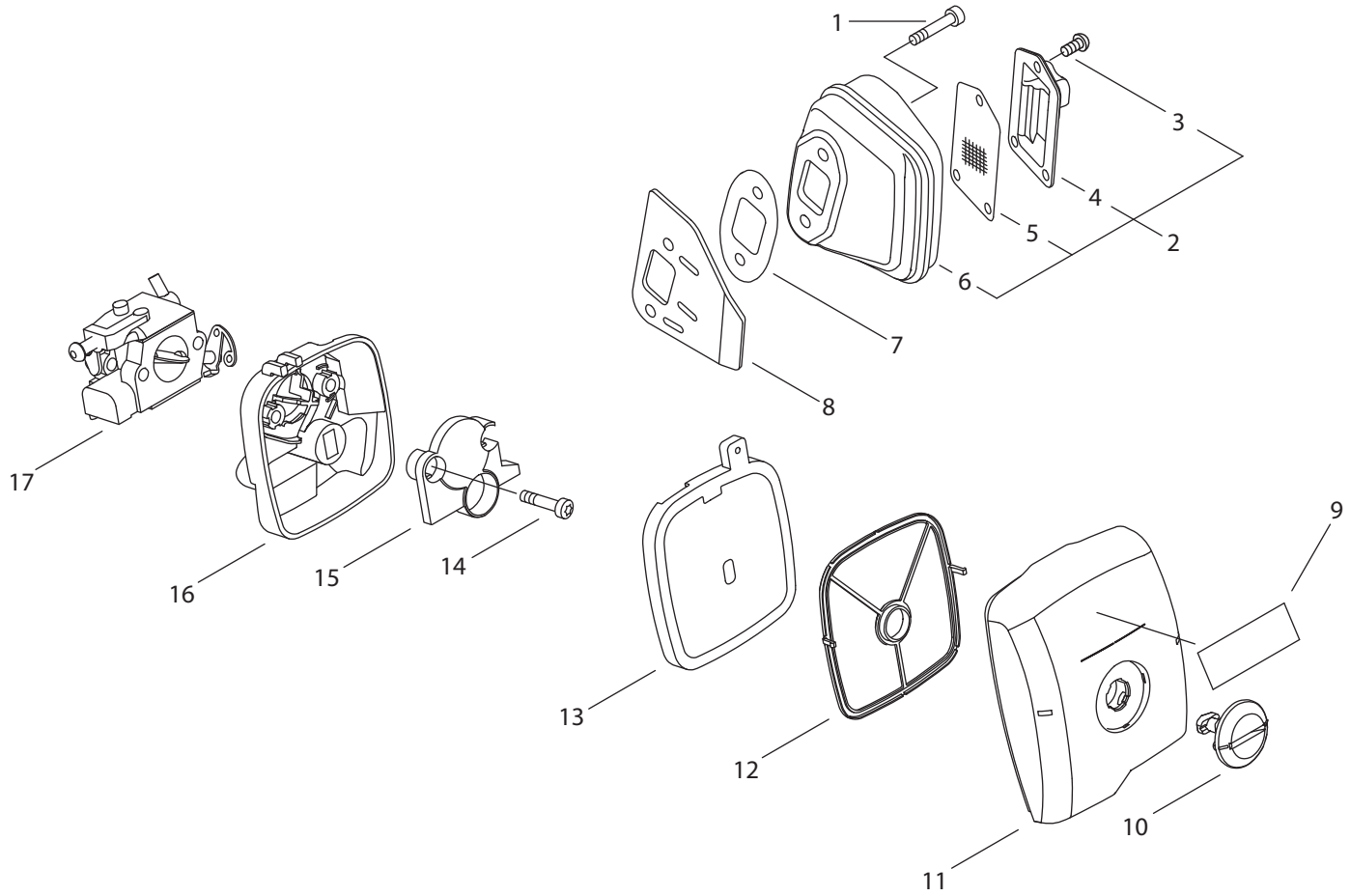
C23512001001-C2351299999

ECHO, INCORPORATED

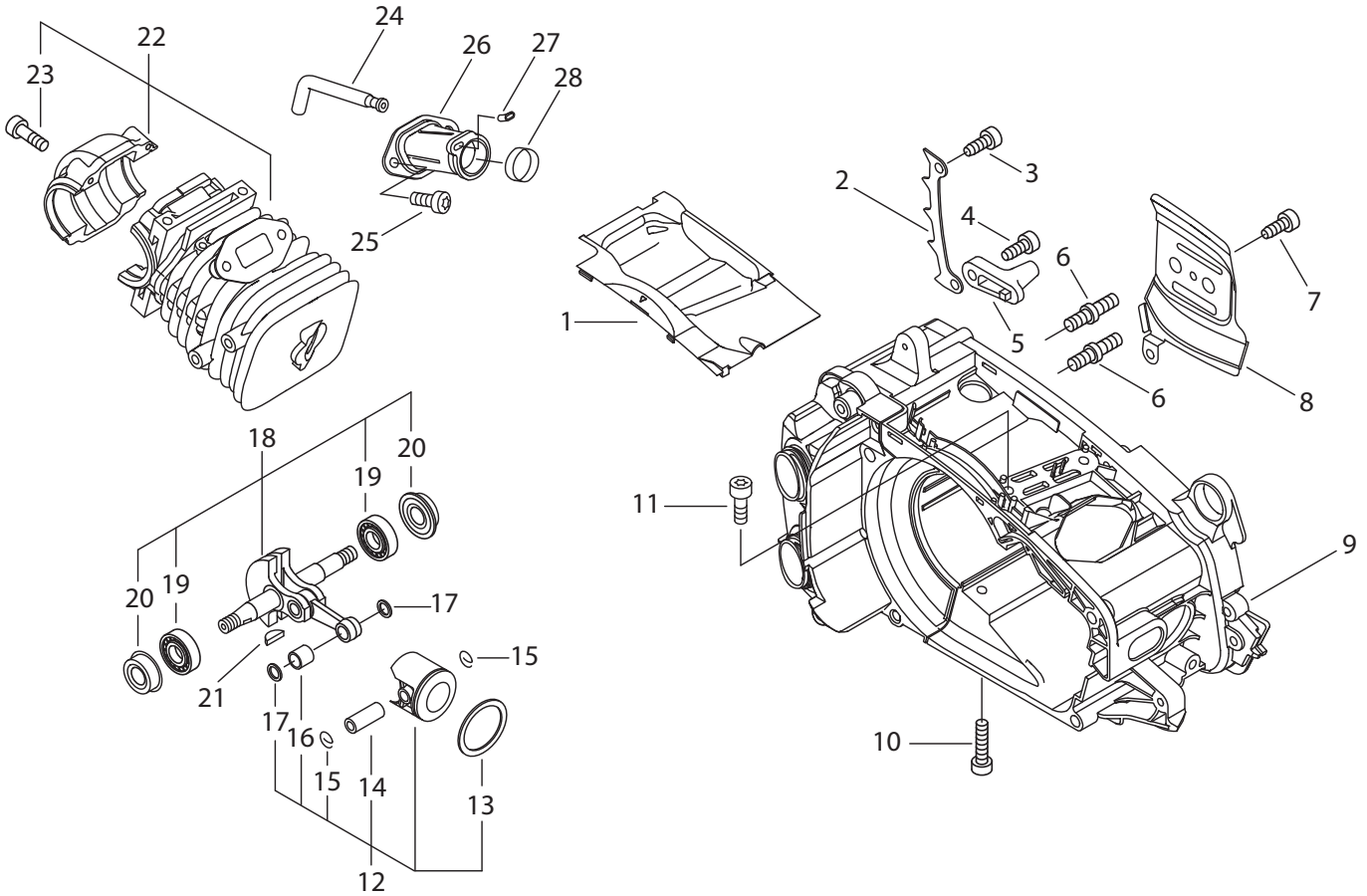
400 Oakwood Road Lake Zurich, Illinois 60047

WWW.ECHO-USA.COM

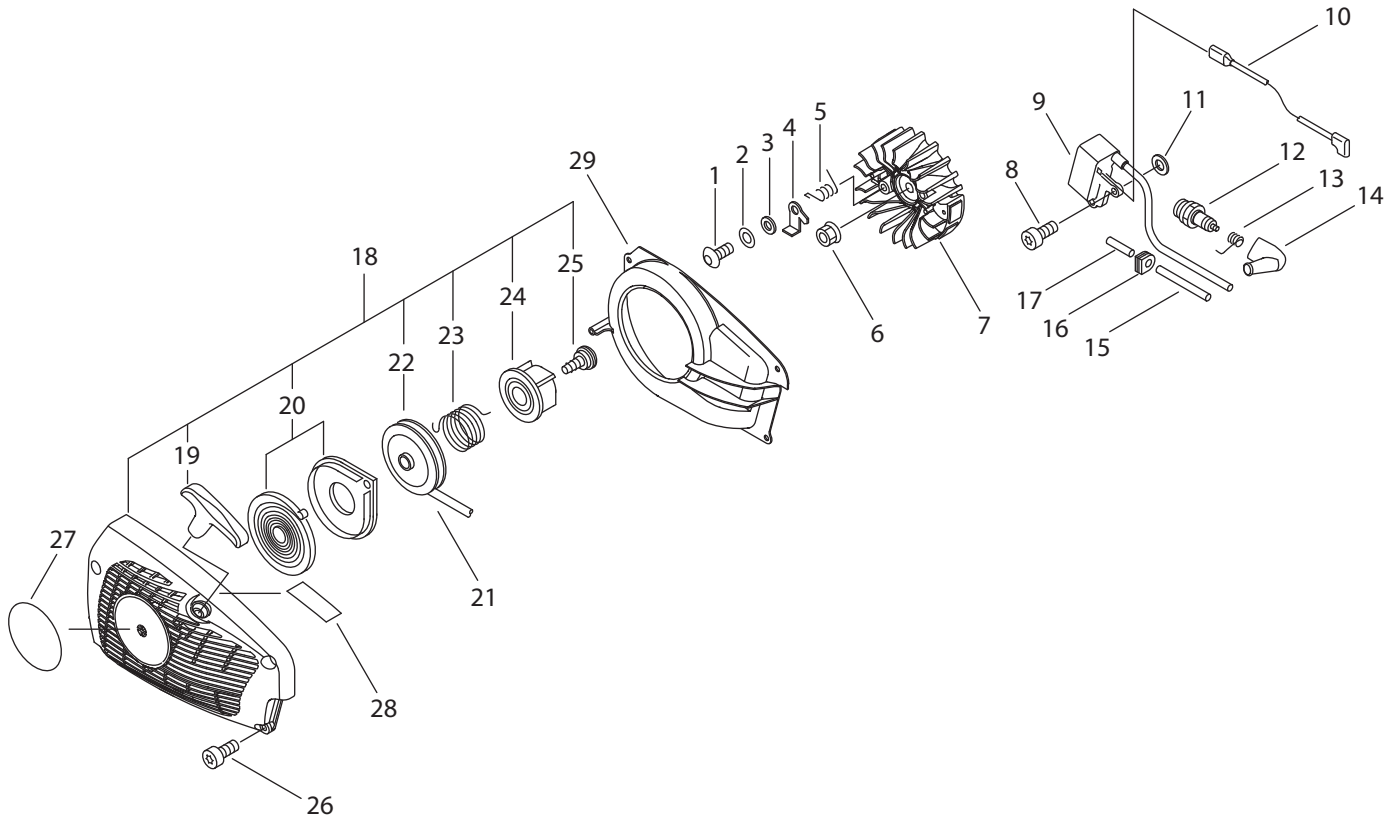
Muffler, Air Filter.....	3
Piston, Crankshaft.....	4
Piston, Crankshaft.....	5
Starter	6
Starter	7
Oil and Fuel Systems	8
Oil and Fuel Systems	9
Handle.....	10
Handle.....	11
Clutch.....	12
Clutch.....	13
Carburetor.....	14
Carburetor.....	15



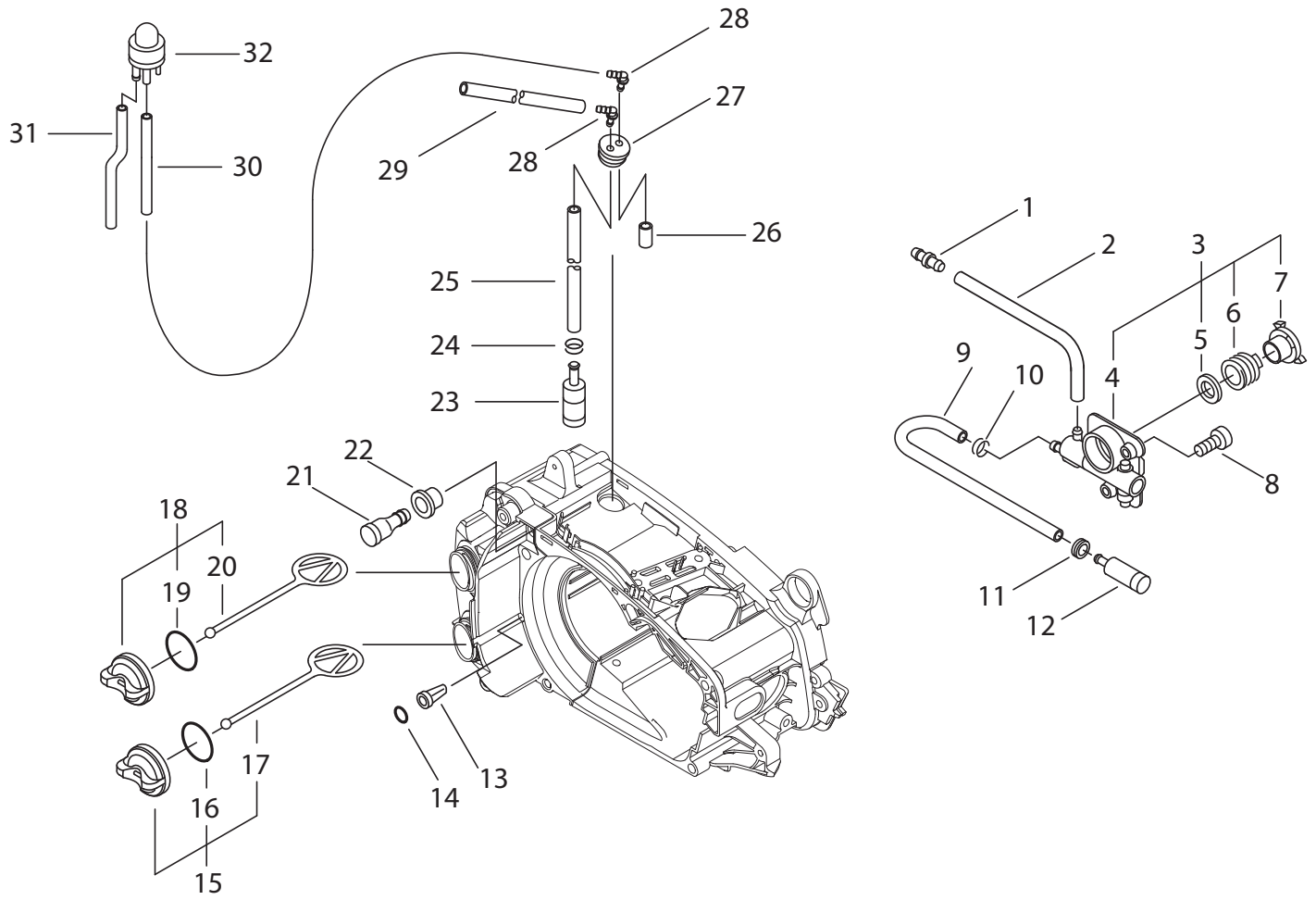
NO.	PART NUMBER	QTY.	DESCRIPTION
1	V805000270	2	BOLT, TORX 5
2	P021041790	1	MUFFLER ASY
3	90024204010	3	+SCREW 4*10
4	A313001930	1	+GUIDE, EXHAUST
5	A310000431	1	+SCREEN, ARRESTOR
6	A300001720	1	+MUFFLER, EXHAUST
7	V104001960	1	GASKET,EXHAUST
8	A312000070	1	PLATE, EXHUST
9	X503011080	1	LABEL,MODEL
10	A235000360	1	KNOB,CLEANER LID
11	A232001650	1	LID,CLEANER
12	A228000030	1	SEAL,CLEANER
13	A226001660	1	ELEMENT, AIR FILTER
14	V805000080	2	BOLT, TORX 5
15	A244000280	1	PLATE, PREVENT
16	A225000610	1	CASE,CLEANER
17	A021003680	1	CARBURETOR,DIAPHRAGM



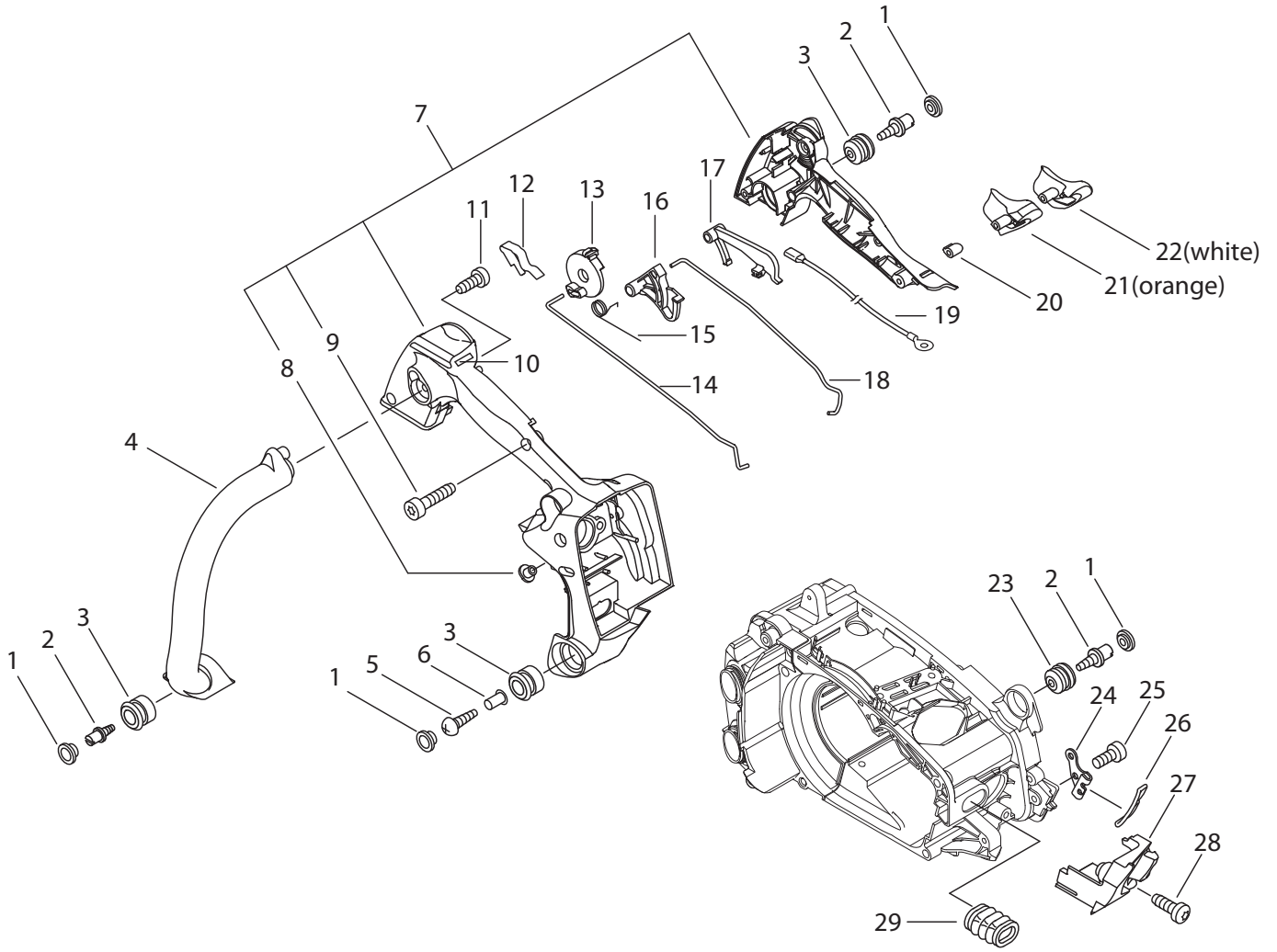
NO.	PART NUMBER	QTY.	DESCRIPTION
1	A127000370	1	COVER,DUST
2	C304000000	1	SPIKE
3	V805000000	1	BOLT, TORX 5
4	V805000010	1	BOLT, TORX 5
5	43302635430	1	CATCHER, CHAIN
6	V225000260	2	BOLT,STUD 8
7	V804000000	1	BOLT, TORX 4
8	C305000430	1	PLATE,SPROCKET GUARD
9	A190001150	1	COVER,ENGINE
10	V805000180	2	BOLT, TORX 5
11	V805000210	2	BOLT, TORX 5
12	P021041770	1	PISTON KIT
13	A101000650	1	+RING, PISTON
14	10001315330	1	+PIN, PISTON
15	10001504630	2	+CIRCLIP, PISTON PIN
16	V553000130	1	+BEARING,NEEDLE 8
17	10001460930	2	+SPACER, PISTON PIN
18	P021039160	1	CRANKSHAFT ASY
19	9403536201	2	+BEARING BALL
20	V505000011	2	+SEAL,OIL 12
21	10014212330	1	KEY, WOODRUFF
22	P021041760	1	CRANKCASE SET
23	V805000210	4	+BOLT, TORX 5
24	V470001910	1	PIPE
25	V805000140	2	BOLT, TORX 5
26	A202000230	1	BELLOWS, INTAKE
27	V351000000	1	COLLAR,3
28	V451001310	1	SPRING,TENSION



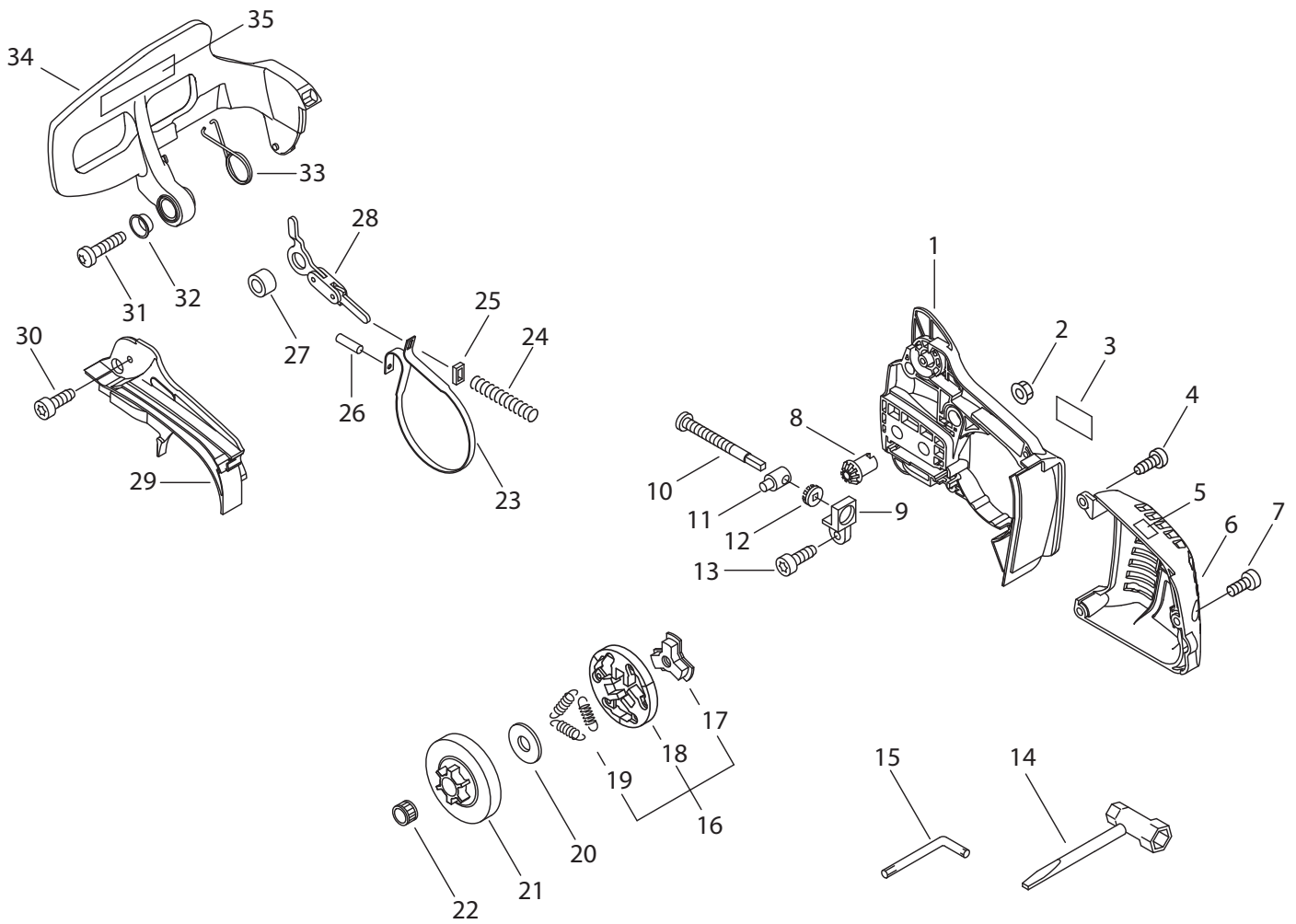
NO.	PART NUMBER	QTY.	DESCRIPTION
1	V203000080	2	BOLT,5
2	90060300005	2	WASHER 5
3	17724704630	2	SPACER, RATCHET
4	A514000270	2	PAWL
5	17723435430	2	SPRING, RETURN
6	90051500008	1	NUT, FLANGE 8
7	A409001240	1	ROTOR, MAGNETO
8	V805000210	2	BOLT, TORX 5
9	A411001400	1	COIL, IGNITION
10	V485002430	1	LEAD
11	15011716430	2	SPACER
12	15901019830	1	PLUG, SPARK (BPM-8Y)
13	A426000010	1	TERMINAL, SPARKPLUG
14	A427000013	1	CAP, SPARK PLUG
15	V475002390	1	TUBE
16	15611004920	1	BUSHING
17	V475001900	1	TUBE
18	A051002510	1	STARTER, RECOIL ASY
19	P022005891	1	+GRIP, STARTER
20	P022001330	1	+SPRING KIT, REWIND
21	P022008440	1	+ROPE, STARTER
22	A506000470	1	+REEL, ROPE
23	V452001390	1	+SPRING, TORSION
24	A507000130	1	+CATCHER, PAWL
25	17723661830	1	+SCREW
26	V804000060	4	BOLT, TORX 4
27	X502000410	1	LABEL, ECHO
28	X505006660	1	LABEL, CAUTION
29	A172002090	1	COVER, FAN



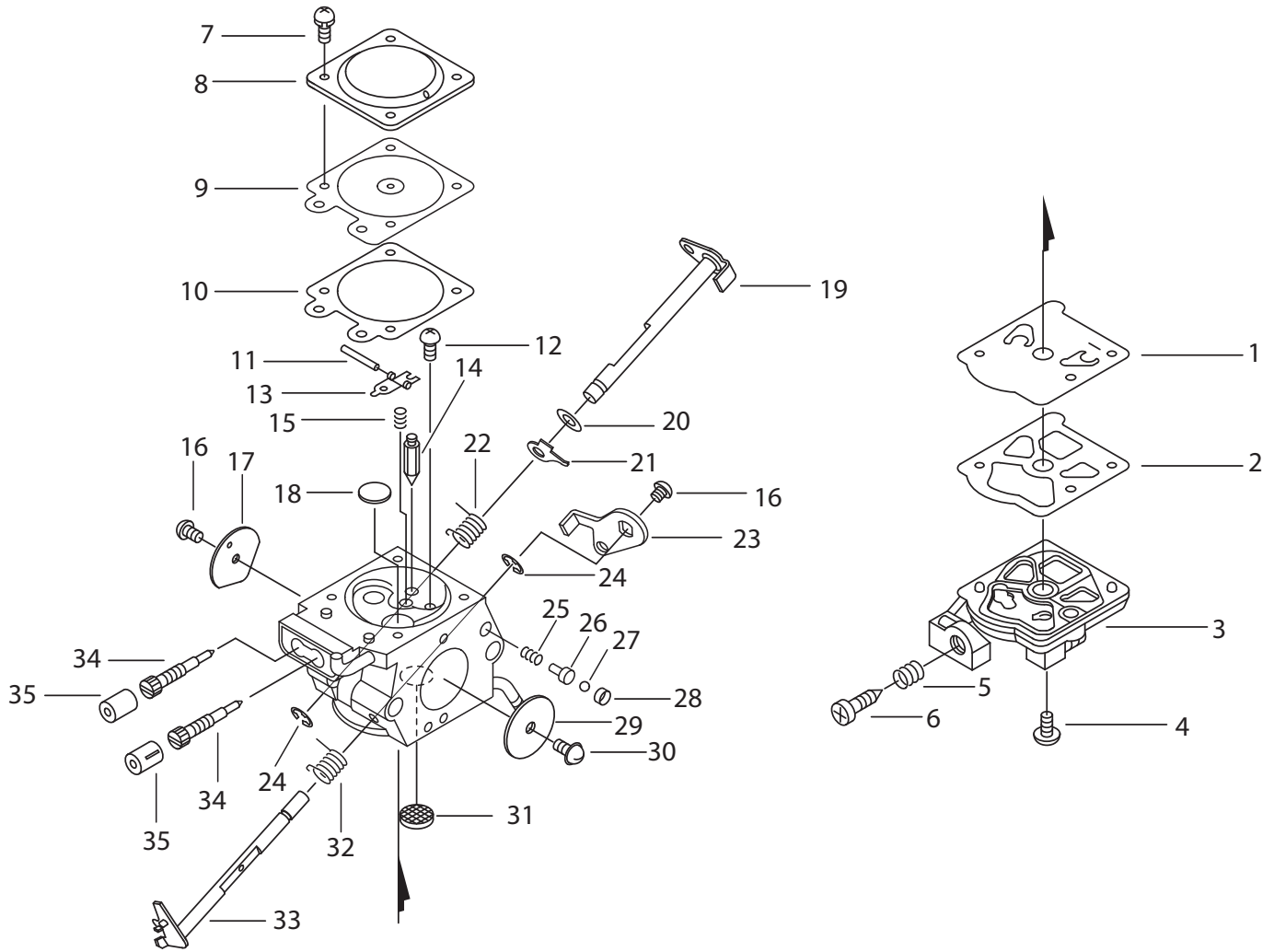
NO.	PART NUMBER	QTY.	DESCRIPTION
1	V187000010	1	NIPPLE
2	13201211960	1	PIPE 3* 6* 45
3	P021010890	1	AUTO-OILER ASY
4	C022000020	1	+AUTO-OILER ASSEMBLY
5	V308000030	1	+WASHER,CIRCULAR 11
6	V652000030	1	+GEAR,WORM
7	V356000290	1	+COLLAR,10
8	V804000050	2	BOLT, TORX 4
9	V471000740	1	PIPE
10	V490001230	1	CLIP
11	13211501461	1	GROMMET
12	43620502832	1	STRAINER, OIL
13	43611413930	1	VALVE, CHECK
14	90072400004	1	O-RING (S-4)
15	P021005581	1	OIL CAP ASY
16	90072000018	1	+O-RING 18
17	A365000050	1	+CONNECTOR,CAP
18	P021038080	1	FUEL CAP ASY
19	V581000590	1	+RING, O
20	A365000050	1	+CONNECTOR,CAP
21	13130056431	1	VENT ASSEMBLY, FUEL
22	V137000000	1	GROMMET,FUEL
23	13120514930	1	STRAINER,FUEL
24	13201309820	1	CLIP
25	V471002290	1	PIPE
26	V471003390	1	PIPE
27	13211544330	1	GROMMET
28	V186000530	2	JOINT,PIPE
29	V471004150	1	PIPE
30	V471003380	1	PIPE
31	V471003400	1	PIPE
32	12318139130	1	PUMP, PRIMER



NO.	PART NUMBER	QTY.	DESCRIPTION
1	10091815130	4	CAP
2	V202000000	3	BOLT,4
3	V400000070	3	CUSHION,4
4	C400001150	1	HANDLE, FRONT
5	9148104035	1	SCREW TAPPING
6	V352000020	1	COLLAR,4
7	P021041820	1	HANDLE SET, REAR
8	13002033330	2	+NUT
9	V804000010	4	+BOLT, TORX 4
10	89015737330	1	LABEL, SWITCH
11	V805000010	1	BOLT, TORX 5
12	V486000370	1	TERMINAL,LEAD
13	A253000090	1	LEVER, CONTROL
14	C454000490	1	ROD, THROTTLE
15	V452000010	1	SPRING,TORSION
16	C450000730	1	CONTROL, THROTTLE
17	C460000002	1	LOCKOUT,THROTTLE
18	A240000200	1	ROD, CHOKE
19	V485002440	1	LEAD
20	C401000310	1	PIECE,HANDLE
21	C401000320	1	PIECE,HANDLE
22	C401000300	1	PIECE,HANDLE
23	10091018830	1	CUSHION
24	C626000070	1	FIXTURE, HARNESS
25	V805000140	1	BOLT, TORX 5
26	C646000100	1	RING, HARNESS
27	A429000160	1	COVER,CAP
28	V805000010	1	BOLT, TORX 5
29	A239000000	1	PIPE,INTAKE



NO.	PART NUMBER	QTY.	DESCRIPTION
1	C300000950	1	GUARD, SPROCKET
2	V265000200	2	NUT
3	X502000340	1	LABEL,ECHO
4	V805000010	2	BOLT, TORX 5
5	X505002310	1	LABEL,CAUTION
6	A320000940	1	COVER,MUFFLER
7	V805000150	1	BOLT, TORX 5
8	V651000001	1	GEAR,BEVEL
9	V355000140	1	COLLAR,8
10	V203000041	1	BOLT,5
11	C309000030	1	TENSIONER,CHAIN
12	V651000011	1	GEAR,BEVEL
13	V804000000	1	BOLT, TORX 4
14	X602000080	1	TOOL,WRENCH
15	X605000170	1	TOOL,L WRENCH
16	A056000070	1	CLUTCH
17	A552000020	1	+HUB,CLUTCH
18	P021005810	1	+CLUTCH SHOE SET
19	V451000470	3	+SPRING,TENSION
20	A551000010	1	PLATE,CLUTCH
21	17500539133	1	DRUM, CLUTCH
22	V555000150	1	BEARING,NEEDLE
23	C328000310	1	BAND, BRAKE
24	V450000070	1	SPRING,COMPRESSION
25	V376000450	1	SPACER
26	9305030098	1	ROLLER
27	43311635430	1	SPACER 8
28	C334000290	1	CONNECTOR, BRAKE
29	C345000520	1	COVER,BRAKE
30	V804000000	3	BOLT, TORX 4
31	V805000240	1	BOLT, TORX 5
32	V356000430	1	COLLAR,10
33	V452001380	1	SPRING,TORSION
34	C320000500	1	LEVER, BRAKE
35	X524004580	1	LABEL



NO.	PART NUMBER	QTY.	DESCRIPTION
	A021003680	1	CARBURETOR,DIAPHRAGM
1	12311215030	1	+DIAPHRAGM, FUEL PUMP
2	12312515030	1	+GASKET, FUEL PUMP
3	12312424430	1	+COVER, FUEL PUMP
4	12311003930	1	+SCREW, PUMP COVER
5	12313304260	1	+SPRING, IDLE ADJUST
6	12313404260	1	+SCREW, IDLE ADJUST
7	12313002960	4	+SCREW
8	12314203930	1	+COVER, M. DIAPHRAGM
9	P003001850	1	+DIAPHRAGM, METERING
10	12314003930	1	+GASKET, M. DIAPHRAGM
11	12313803930	1	+PIN, METERING LEVER
12	12313903930	1	+SCREW, M. LEVER PIN
13	12312303930	1	+LEVER, METERING
14	12313719830	1	+VALVE, INLET NEEDLE
15	12312239830	1	+SPRING, METER. LEVER
16	12311438830	2	+SCREW
17	P003001790	1	+VALVE, CHOKE
18	12314610631	1	+PLUG, WELCH
19	P003001140	1	+SHAFT, CHOKE
20	12314926030	1	+WASHER
21	P003001510	1	+LEVER-FAST IDLE
22	P003002260	1	+SPRING
23	P003005080	1	+LEVER, THROTTLE
24	12312715030	2	+RING
25	12318609660	1	+SPRING, START VALVE
26	12318509660	1	+PISTON ASSY
27	12313609660	1	+BALL
28	P003005090	1	+PLUG CUP
29	P003005070	1	+VALVE, THROTTLE
30	P003002380	1	+SCREW
31	12312610631	1	+SCREEN, INLET
32	12311337530	1	+SPRING, THROTTLE RTN
33	P003005060	1	+SHAFT ASY,THROTTLE
34	12311802261	2	+NEEDLE
35	P003000010	2	+LIMITER CAP