



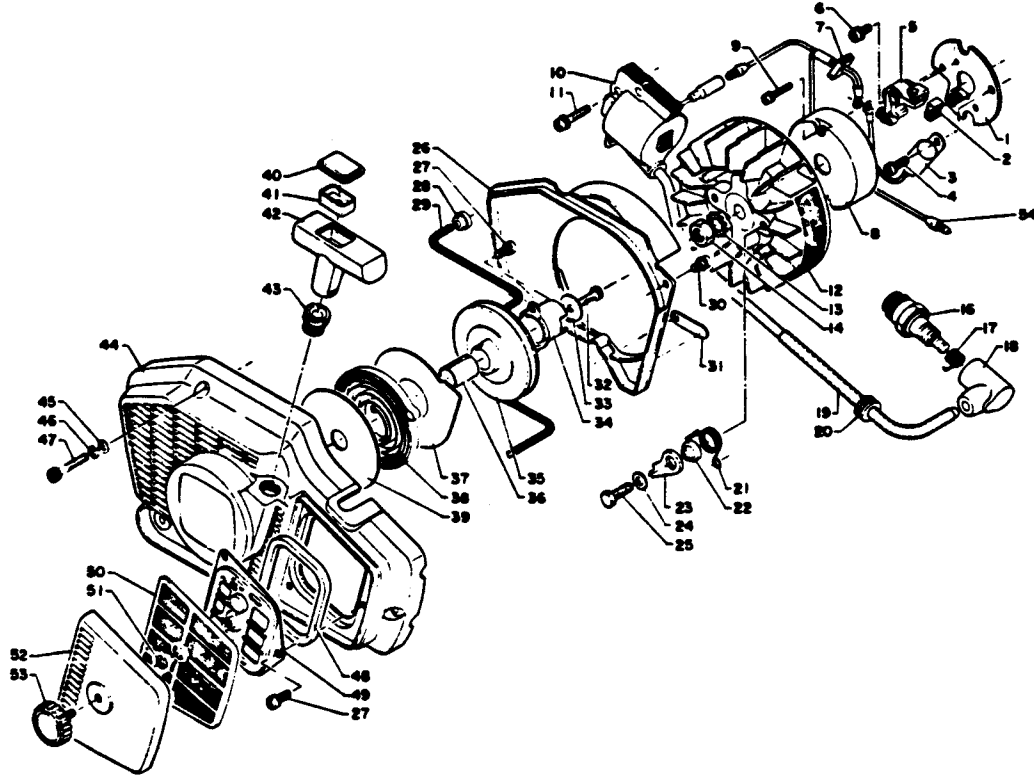
**CHAIN SAW
PARTS CATALOG
MODEL CS-351VL**

SERIAL NUMBER 001001 & UP

**ECHO, INCORPORATED
400 OAKWOOD ROAD
LAKE ZURICH, IL 60047**

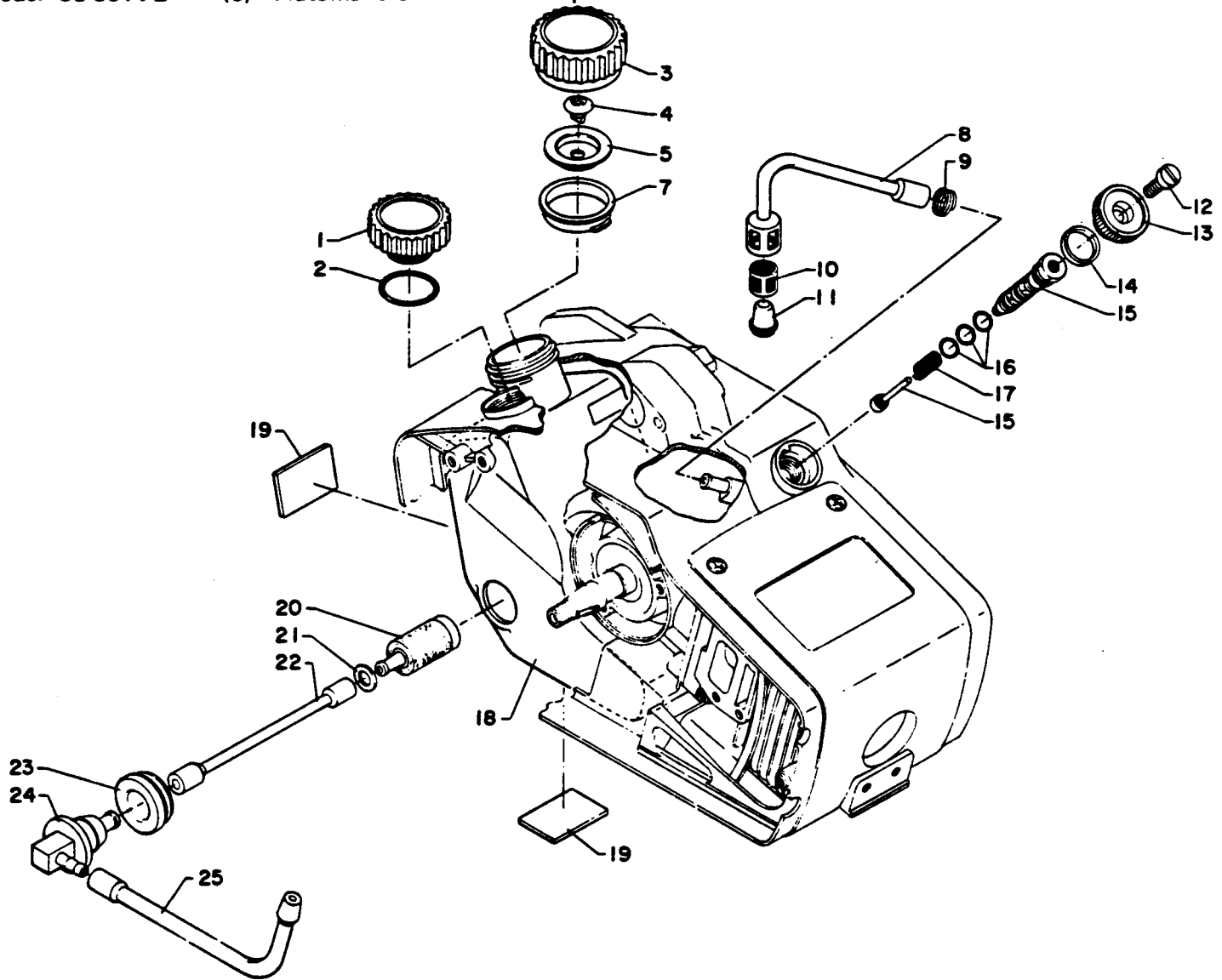
**89859910538
01/92**

Model CS-351VL (2) Starter and Magneto



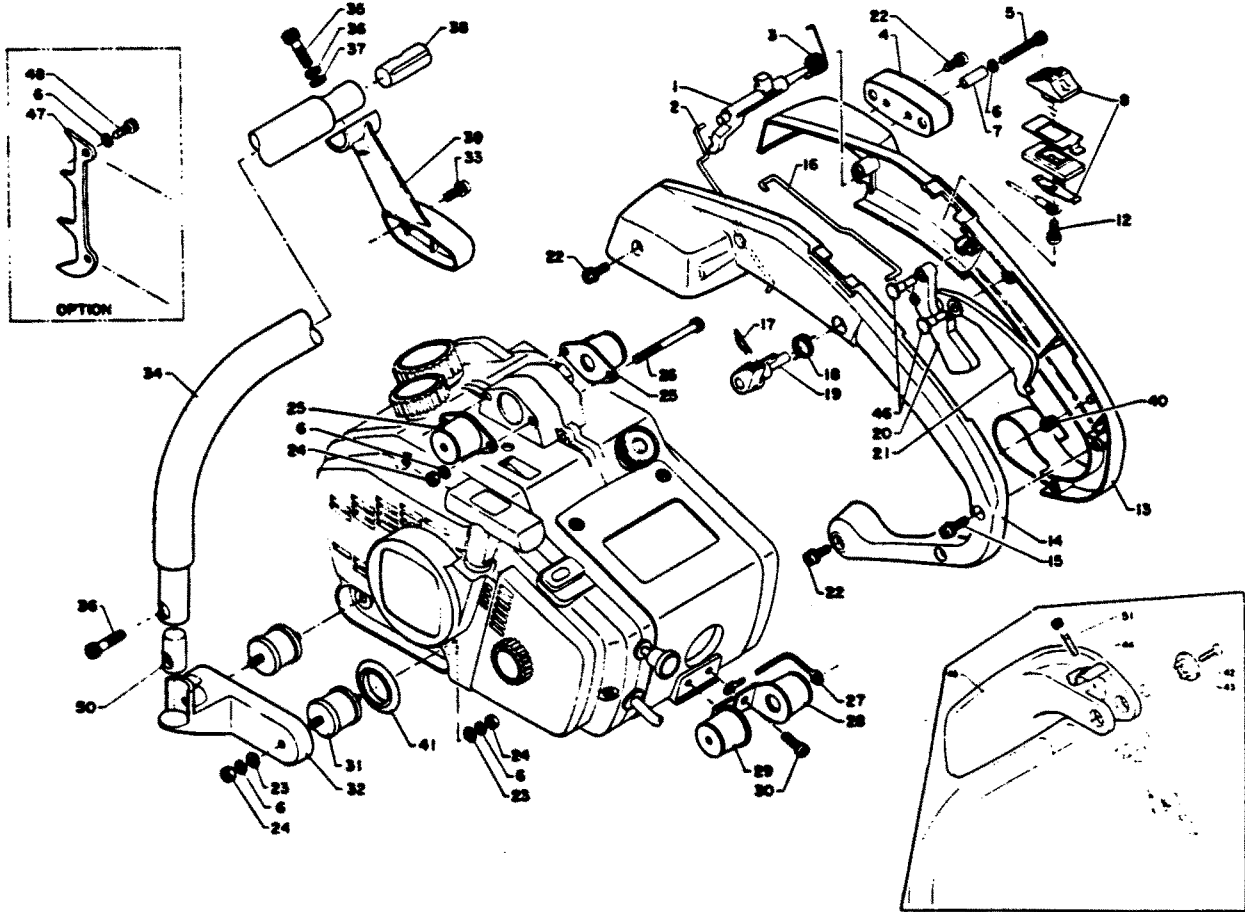
Key No.	Part No.	Q'ty	Part Name	Key No.	Part No.	Q'ty	Part Name
1	150 132-0393 0	1	Stator plate	2- 32	-900 162-0401 4	1	Bolt (4 x 14)
-2	150 134-0393 0	1	Oiler	33	-177 214-0393 0	1	Washer
3	150 127-0393 0	1	Condenser	34	-177 243-0393 0	1	Pawl catcher
4	900 241-0401 0	1	Screw	35	-177 215-0393 0	1	Recoil drum
				36	-177 216-0393 0	1	Bush, recoil
5	150 101-0393 0	1	Contact point set	37	-177 242-1053 0	1	Side plate (B)
6	900 242-0401 0	1	Screw	38	-177 220-0393 0	1	Spring rewind
8	154 112-0343 0	1	Breaker cover	39	-177 221-0393 0	1	Side plate (A)
9	900 220-0302 5	2	Screw	40	-177 244-0283 0	1	Handle cap, recoil
10	150 120-1053 1	1	Ignition-coil	41	-177 229-0283 0	1	End piece, recoil
11	900 242-0402 0	2	Screw	42	-177 228-0283 0	1	Handle, recoil
19	150 111-1053 0	1	Cover pipe	43	-177 227-0023 0	1	Rope guide, recoil
12	150 200-0393 1	1	Fly wheel	44	-101 507-1053 0	1	Fan cover
13	900 611-0000 8	1	Washer	47	900 162-0402 5	3	Bolt (4 x 25)
14	900 500-0000 8	1	Nut	48	130 320-1053 0	1	Packing carburetor cover
16	159 010-0033 0	1	Spark plug	49	129 006-1053 1	1	Plate
(*16)	159 010-1013 0	1	Spark plug	50	130 310-1053 0	1	Air filter
17	159 011-0343 2	1	Coil, spark plug	51	900 700-0000 3	1	Circlip
18	159 012-0343 3	1	Cap, spark plug	52	130 313-1053 0	1	Cover, air cleaner
20	150 112-0031 0	1	Rubber bush	53	130 406-0393 0	1	Thumb nut
21	177 234-0393 1	2	Spring, ratchet	30	900 242-0400 8	2	Screw
22	177 247-0393 2	2	Spacer, ratchet	31	101 540-1053 0	2	Guide plate holder
23	177 218-0393 0	2	Ratchet, recoil	54	150 133-1053 0	1	Lead wire
24	900 602-0000 5	2	Washer				
25	900 100-0501 6	2	Bolt				
26	101 534-1053 1	1	Guide plate	Remarks: (*16) Anti-Radio Interference Spark plug Option.			
	177 200-1053 0	1	Starter ass'y				
27	-900 241-0400 8	2	Screw				
28	-177 246-0393 0	1	Clip, starter rope				
29	-177 226-0393 0	1	Starter rope				

Model CS-351VL (3) Automatic Oiler and Fuel Pipe



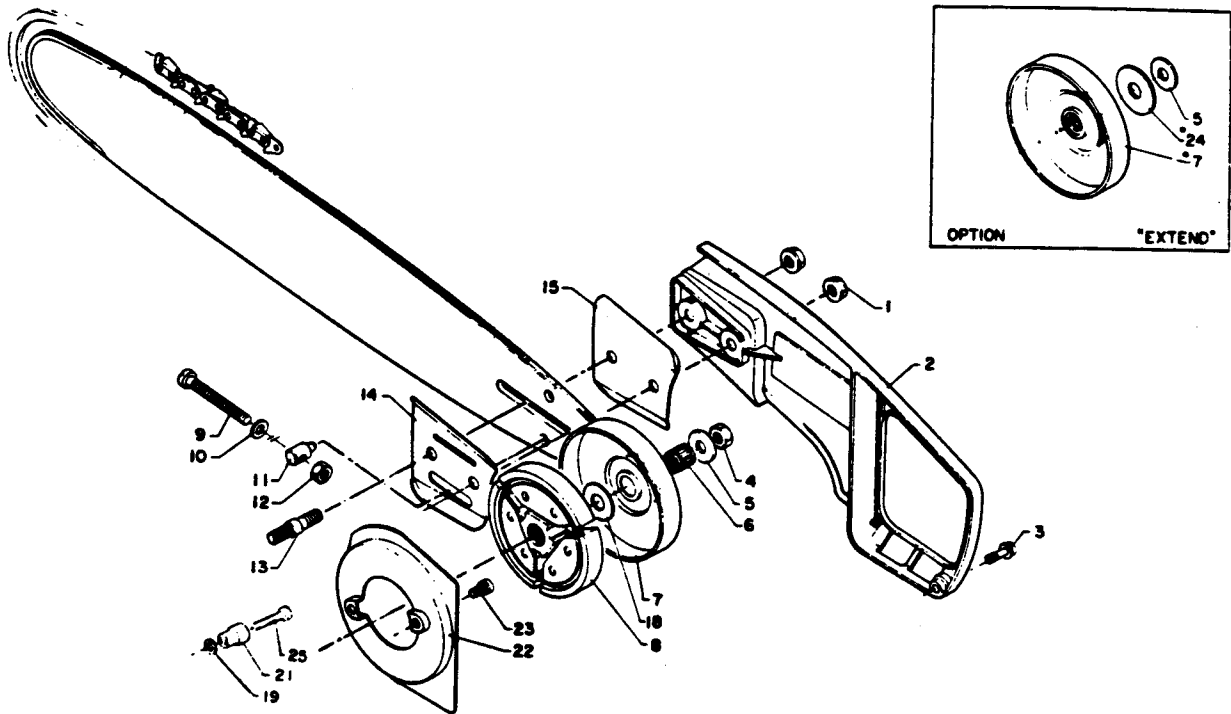
Key No.	Part No.	Q'ty	Part Name	Key No.	Part No.	Q'ty	Part Name
3	436 000-0393 0	1	Cap, oil tank	3	437 020-0283 0	3	O-ring (S-5)
2	900 720-0001 6	1	O-ring	27	437 019-0283 0	1	Spring, auto.-oiler
3	131 017-0493 0	1	Cap, fuel tank	18	131 010-1053 0	1	Fuel tank
4	131 314-0033 0	1	Check valve	19	131 924-0493 0	4	Fitting rubber
5	131 015-0493 1	1	Check valve holder	20	131 200-0523 0	1	Fuel strainer (Ass'y)
7	131 038-0493 0	1	Packing	21	900 600-0000 6	1	Washer
8	437 210-1053 0	1	Oil inner pipe	22	437 210-1063 1	1	Fuel pipe (Inner)
9	437 221-1053 0	1	Clip	23	132 019-0493 1	1	Connector rubber
10	436 210-1053 0	1	Oil strainer	24	132 011-0493 1	1	Fuel pipe connector
11	436 213-1053 0	1	Strainer weight	25	132 012-1053 0	1	Fuel pipe (Outer)
12	900 220-0501 4	1	Screw				
13	437 039-1053 0	1	Dial				
14	437 036-1053 0	1	Flat spring				
15	437 002-0343 1	1	Cylinder & plunger, auto.-oiler				

Model CS-351VL (4) Handle

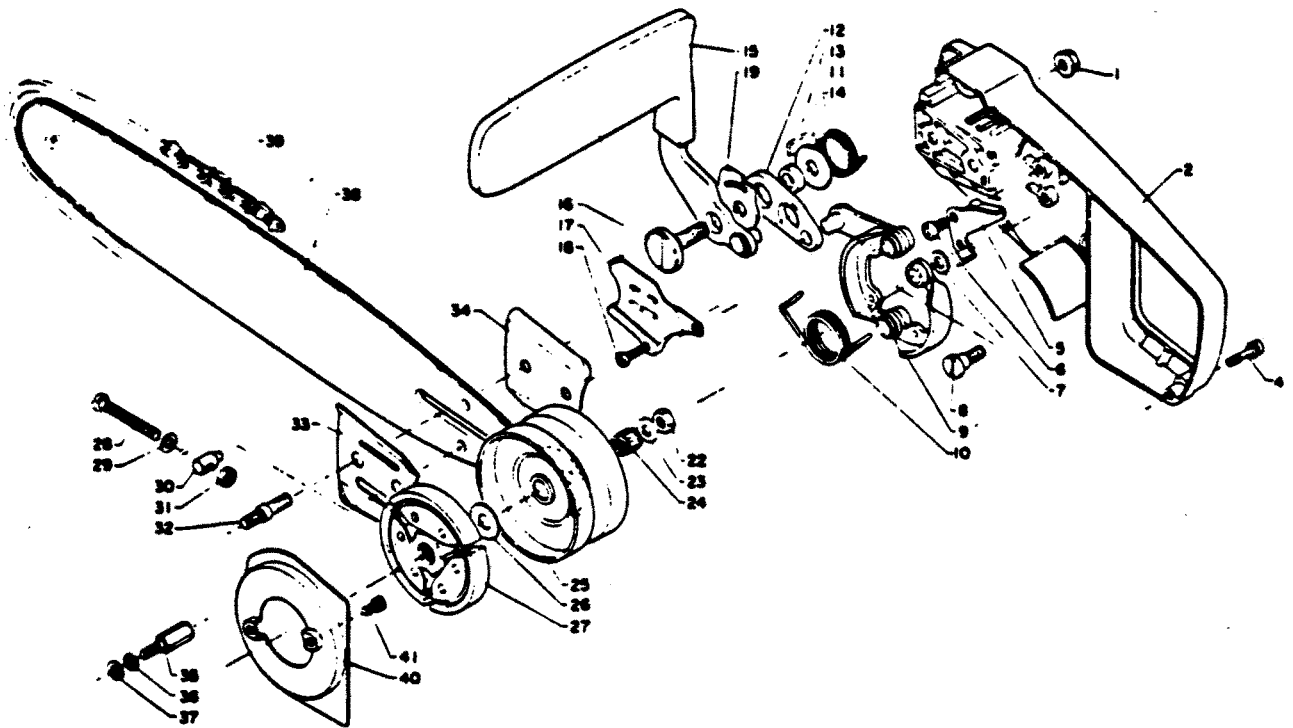


Key No.	Part No.	Q'ty	Part Name	Key No.	Part No.	Q'ty	Part Name
4-1	178 017-1053 0	1	Throttle shaft	4-30	900 241-0401 2	2	Screw
2	178 032-1053 1	1	Throttle rod	31	351 607-1003 0	2	Cushion rubber (L-L)
3	178 043-1053 0	1	Throttle spring	32	351 613-1053 0	1	Left handle supporter (L)
4	351 605-1053 0	1	Cushion rubber (L-U)	33	900 242-0401 2	2	Screw
5	900 242-0403 0	1	Screw	34	351 606-1053 1	1	Left handle
6	900 605-0000 4	6	Spring washer	38	-351 617-1053 1	1	Spacer
7	351 637-1053 0	1	Cushion rubber supporter (L-U)	50	-351 611-1053 0	1	Spacer
8	163 400-1053 0	1	Stop switch	35	900 162-0502 5	1	Bolt (5 x 25)
13	351 100-1053 2	1	Right handle	36	900 162-0502 0	1	Bolt (5 x 20)
15	900 242-0401 4	1	Screw	39	351 614-1053 0	1	Left handle supporter (U)
16	178 011-1053 0	1	Throttle rod	40	178 091-1053 1	1	Safety lock spring
47	178 044-1053 0	1	Lock pin	41	351 638-1053 0	1	Stopper
18	178 013-1053 1	1	Throttle lock spring	46	178 110-1053 0	2	Trigger shaft
19	178 012-1053 0	1	Throttle lock	42	900 214-0502 0	1	Screw
20	178 010-1053 1	1	Throttle lock lever	43	351 833-1013 0	1	Fitting washer
21	178 090-1053 2	1	Safety lock	44	351 834-1053 0	1	Stopper
22	900 242-0401 0	3	Screw	45	351 826-1083 0	1	Hand guard
23	900 600-0000 4	4	Washer	51	900 162-0503 0	1	Bolt (5 x 30)
24	900 500-0000 4	6	Nut	47	880 210-1053 0	1	Spike bumper
25	351 105-1053 1	2	Cushion rubber (R-F)	48	900 105-0401 0	2	Bolt
26	900 105-0404 5	2	Bolt (4 x 45)				
27	162 010-0343 1	1	Earth cord				
28	351 907-1053 1	1	Cushion rubber (R-R-R)				
29	351 107-1053 1	1	Cushion rubber (R-L-R)				

Model CS-351VL (5) Clutch and Guide bar

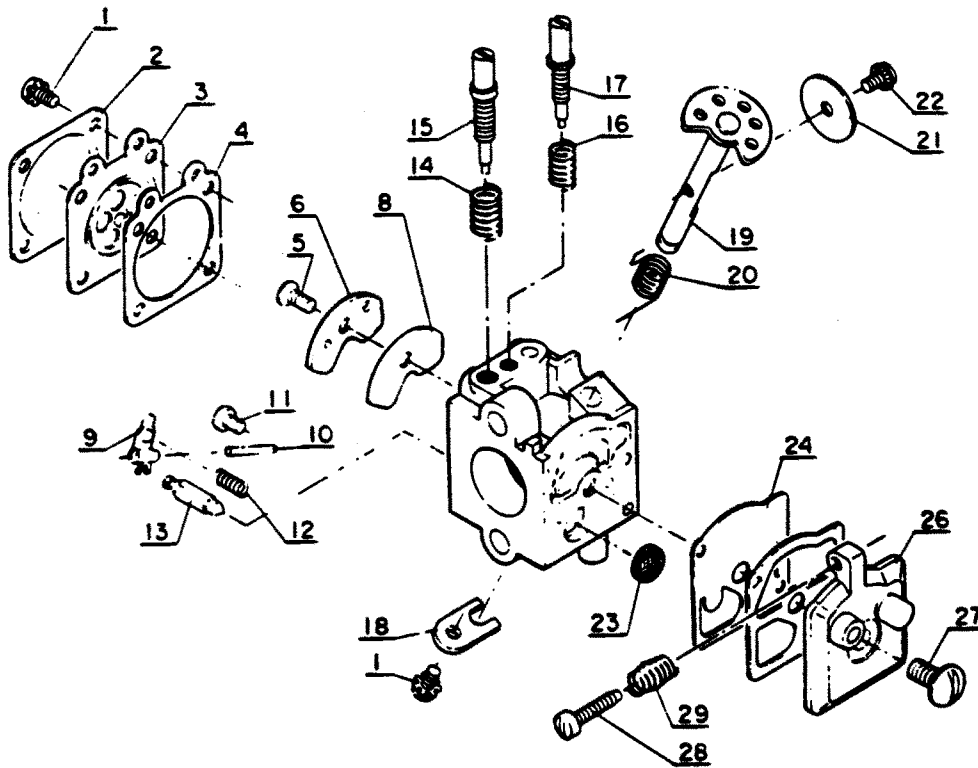


Key No.	Part No.	Q'ty	Part Name	Key No.	Part No.	Q'ty	Part Name
5- 1	433 019-0393 1	2	Nut	5- 21	433 006-1283 0	1	Chain catcher
2	433 010-1053 1	1	Cover, guide bar	(*7)	175 005-1153 0	1	Case, clutch
3	433 027-1053 0	1	Screw	(*24)	175 015-1043 0	1	Washer
4	100 139-0393 0	1	Lock nut (6 mm-L-H)	(*7)	175 005-1053 0	1	Case, clutch
5	175 014-0393 0	1	Washer	(*5)	175 014-1053 0	1	Washer
6	175 012-0393 0	1	Roller bearing	22	175 310-1053 1	1	Dust seal plate
7	175 007-0393 0	1	Case, clutch	23	900 241-0400 8	2	Screw
8	175 000-0393 0	1	Clutch ass'y	25	900 220-0502 5	1	Screw
9	433 016-0283 0	1	Adjusting screw				
10	100 247-0283 0	1	Washer				
11	433 014-0393 2	1	Tensioner	Remarks: (*7) (*24) Low profile type Pitch 3/8 Option (*7) (*5) 7 Tooth sprocket Pitch 3/8 Option Key No. 16, 17 Optional			
12	433 022-0283 0	1	Lock nut				
13	433 011-0393 0	2	Stud, guide bar				
14	433 013-0393 0	1	Side plate, guide bar (Inner)				
15	433 012-0393 0	1	Side plate, guide bar (Outer)				
18	175 015-0393 0	1	Washer				
19	900 600-0000 5	2	Washer				
20	900 605-0000 5	1	Spring washer				



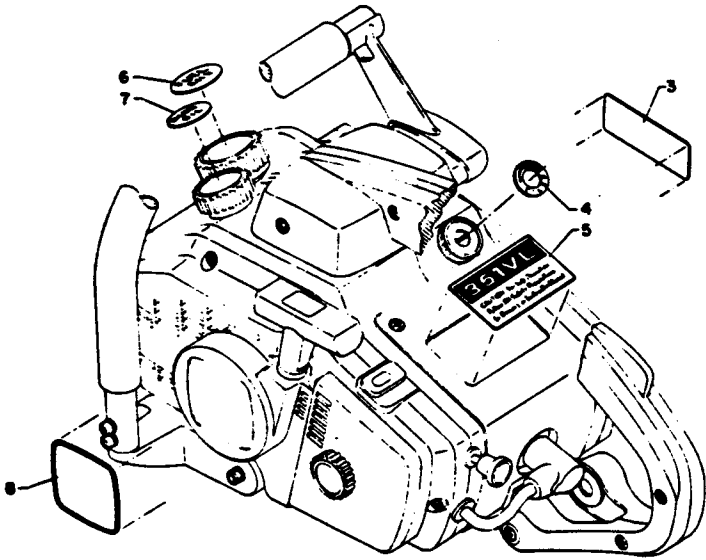
Key No.	Part No.	Q'ty	Part Name	Key No.	Part No.	Q'ty	Part Name
5-1- 1	433 019-0393 1	2	Flange nut	24	175 012-0393 0	1	Roller bearing
	433 100-1053 2	1	Chain brake ass'y	25	175 207-0393 0	1	Clutch case
	*433 110-1053 0	1	Guide bar cover	(*25)	175 205-1053 0	1	Clutch case
	*433 131-0393 0	1	Brake shoe guide	(*25)	175 208-1053 0	1	Clutch case
	*900 220-0500 8	2	Screw	26	175 015-0393 0	1	Clutch washer
				27	175 000-0393 0	1	Clutch ass'y
7	*900 600-0000 6	1	Washer	28	433 016 0083 0	1	Adjusting screw
8	*433 130-0393 0	1	Screw	29	100 247-0283 0	1	Washer
9	*433 101-0393 0	1	Brake shoe	30	433 014-0393 2	1	Tensioner
10	*433 122-0393 0	1	Brake spring	31	433 022-0283 0	1	Lock nut
11	*433 115-0393 0	1	Brake handle washer	32	433 011-0393 0	2	Stud bolt
12	*433 117-0393 0	1	Connector	33	433 013-0393 0	1	Side plate (Inner)
13	*433 116-0393 0	1	Brake handle spacer	34	433 012-0393 0	1	Side plate (Outer)
14	*433 114-0393 0	1	Return spring	35	433 026-1103 0	1	Chain catcher
15	*433 105-1053 1	1	Brake handle	36	900 605-0000 5	1	Spring washer
16	*433 113-0393 0	1	Screw	37	900 600-0000 5	1	Washer
17	*433 310-1053 1	1	Dust seal	40	175 310-1053 1	1	Dust seal plate
18	*900 220-0401 0	2	Screw	41	900 241-0400 8	2	Screw
	*433 135-1053 0	1	Washer	38	430 412-0083 0	1	Guide bar, 14P50
4	433 027-1053 0	1	Screw		430 412-0393 0	1	Guide bar, 35CL50
22	100 139-0393 0	1	Nut		430 412-1053 0	1	Guide bar, 35C50
23	175 214-0393 0	1	Clutch case washer		430 413-0393 0	1	Guide bar, 40CL50
					430 413-1053 0	1	Guide bar, 40C50
				39	431 612-0393 0	1	Saw chain, 25-76E
					431 612-1003 0	1	Saw chain, 25AP-76E
					431 613-1053 0	1	Saw chain, 25AP-84E

Model CS-351VL (6) Carburetor



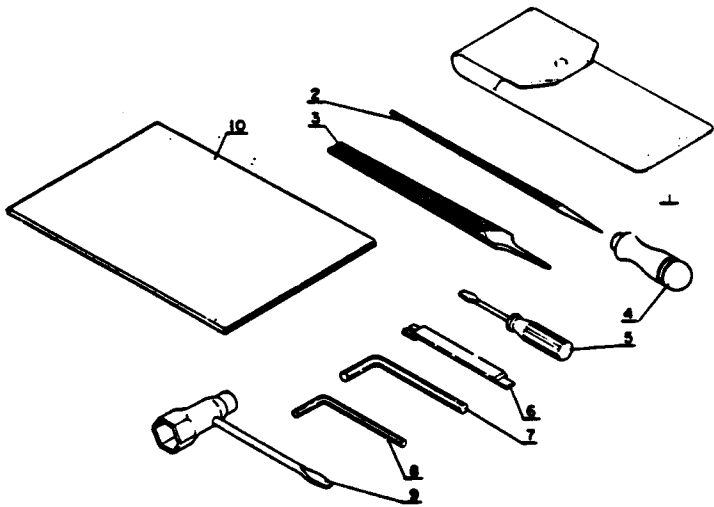
Key No.	Part No.	Q'ty	Part Name	Key No.	Part No.	Q'ty	Part Name
6	123 000-1053 0	1	Carburetor ass'y(WA-25)	6-16	-123 121-0393 0	1	Idle needle adjust spring
1	-123 144-0393 0	5	Screw	17	-123 118-1053 0	1	Idle needle
2	-123 142-0393 0	1	Metering diaphragm cover	18	-123 127-0393 0	1	Throttle shaft clip
3	-123 141-0393 0	1	Metering diaphragm	19	-123 117-0393 0	1	Throttle shaft
4	-123 140-0393 0	1	Metering diaphragm gasket	20	-123 113-0393 0	1	Throttle return spring
5	-123 167-0523 0	1	Circuit plate screw	21	-123 116-1053 0	1	Throttle valve
6	-123 166-1053 0	1	Circuit plate	22	-123 114-0393 0	1	Shutter screw
7	-123 164-1053 0	1	Circuit plate gasket	23	-123 126-0393 0	1	Inlet screen
9	-123 123-0393 0	1	Metering lever	24	-123 112-0393 0	1	Pump diaphragm
10	-123 138-0393 0	1	Metering lever pin	25	-123 125-0393 0	1	Pump gasket
11	-123 139-0393 0	1	Metering lever pin screw	26	-123 124-1053 0	1	Pump cover
12	-123 122-0393 0	1	Metering lever spring	27	-123 110-0393 0	1	Pump cover screw
13	-123 137-0393 0	1	Inlet needle valve	28	-123 134-0393 0	1	Idle adjust screw
14	-123 119-0393 0	1	H.S. adjust spring	29	-123 133-0393 0	1	Idle adjust spring
15	-123 120-1053 0	1	High speed needle				

Model CS-351VL (7) Model Plate



Key No.	Part No.	Q'ty	Part Name
7- 3	890 021-0393 1	1	Echo name plate
4	890 022-0343 0	1	Caution label
5	890 151-1053 1	1	Model plate
6	890 154-0393 0	1	Fuel label
7	890 153-0393 0	1	Oil label
8	890 012-0066 2	1	Name plate

(8) Tools



Key No.	Part No.	Q'ty	Part Name
8-	896 000-0393 0	1	Tool set
1	-898 510-0111 1	1	Tool bag
2	-897 510-0393 0	1	Round file
3	-897 511-0023 0	1	Flat file
4	-897 512-0023 0	1	File grip
5	-895 812-0393 0	1	Screw driver
6	-897 514-0083 1	1	Depth gauge
7	-895 610-0013 0	1	L-wrench (4 mm)
8	-895 612-0343 0	1	L-wrench (3 mm)
9	-895 410-0393 0	1	Wrench (10 x 19)
10		1	Instruction manual

Remarks:

- (E) * Key No. 1. 5. 7. 8. 9. 10. are standard tools supplied with the chain saw.
Others are optional parts, to be supplied on special order.