



---

## OPTIONAL ATTACHMENTS & ACCESSORIES

### Accessories

|             |                                 |
|-------------|---------------------------------|
| 103942147   | CS Carry Bag                    |
| 103942148   | CS Camouflage Carry Bag         |
| 89850308034 | Bar & Chain Cover -- 20"        |
| 99988800307 | Debris Shield                   |
| 99988800309 | CS Lanyard Strap w_Snap         |
| 99988801207 | ToughChest - 24" Chain Saw Case |

### Guide Bars

|            |                            |
|------------|----------------------------|
| 12A0CD3745 | Guide Bar - 12" (.050" Ga) |
| 12A0ED3745 | Guide Bar - 12" (.050" Ga) |
| 14A0CD3752 | Guide Bar - 14" (.050" Ga) |
| 16A0CD3757 | Guide Bar - 16" (.050" Ga) |
| 16A0ED3757 | Guide Bar - 16" (.050" Ga) |

### RePower Maintenance Kits

|        |             |
|--------|-------------|
| 90107C | Tune-Up Kit |
|--------|-------------|

# PARTS CATALOG

## CS-330T Chain Saw

**32.6cc**

### **SERIAL NUMBERS**

---

S/N: C09613001001 - C09613999999

---

***ECHO, INCORPORATED***

400 Oakwood Road Lake Zurich, Illinois 60047 USA

WWW.ECHO-USA.COM



# Table of Contents

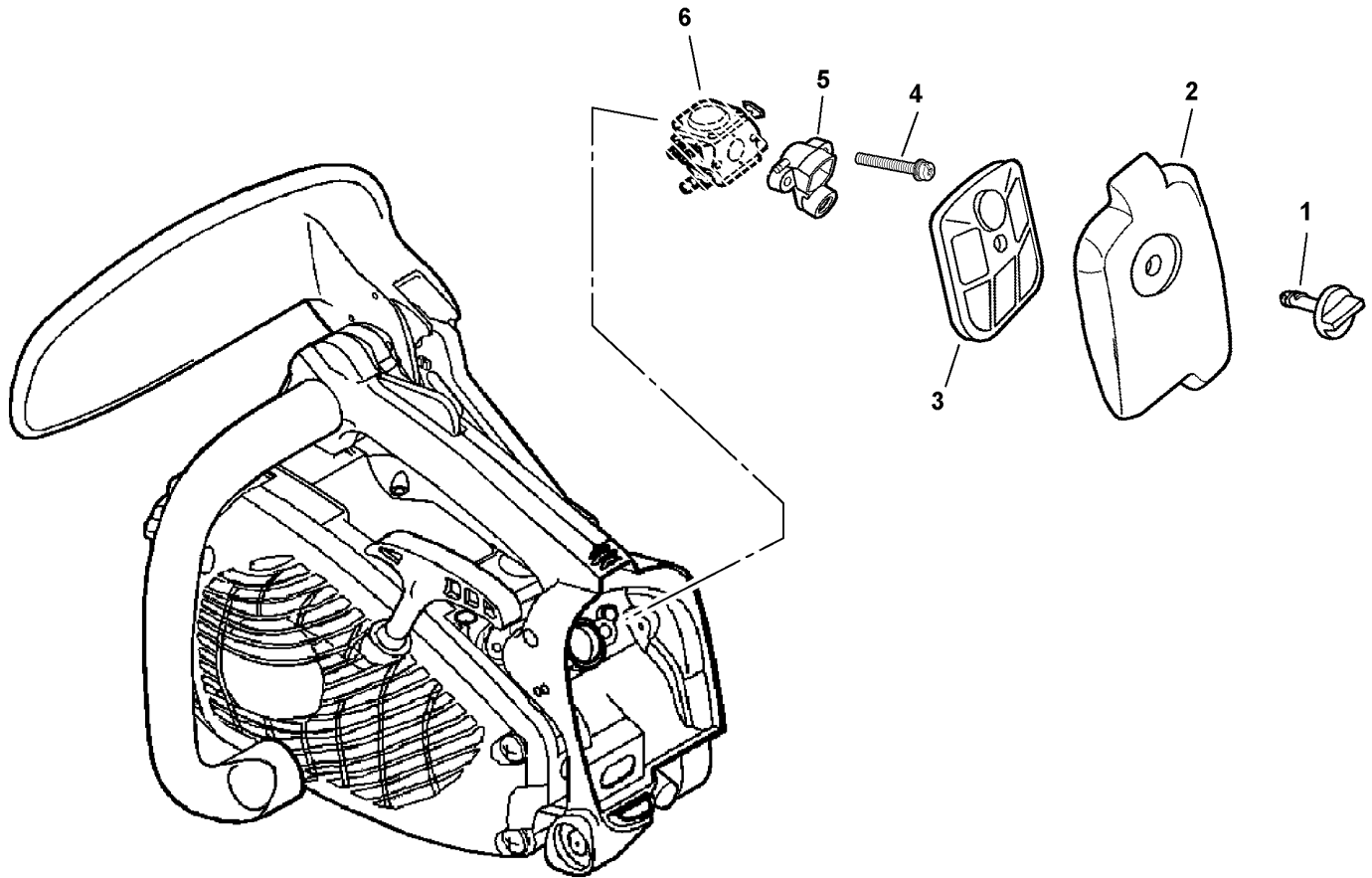
---

Click Any Diagram Description Below To View That Diagram.

## **CS-330T S/N: C09613001001 - C09613999999**

|  |    |
|--|----|
| Intake.....  | 4  |
| Carburetor -- WT-739.....                          | 6  |
| Exhaust.....                                       | 8  |
| Chain Brake -- GRAY MODELS.....                    | 10 |
| Chain Brake -- ORANGE MODELS.....                  | 12 |
| Standard Guide Bar, Sawing Chain, Kick Guard.....  | 14 |
| Clutch.....  | 16 |
| Handles, Throttle Control.....                     | 18 |
| Starter -- GRAY MODELS.....                        | 20 |
| Starter -- ORANGE MODELS.....                      | 22 |
| Fuel System, Auto-Oiler.....                       | 24 |
| Ignition S/N: C09613001001 - C09613001224.....     | 26 |
| Ignition S/N: C09613005411 - C09613999999.....     | 28 |
| Engine, Short Block -- SB1085 - GRAY MODELS.....   | 30 |
| Engine, Short Block -- SB1085 - ORANGE MODELS..... | 32 |
| Labels.....  | 34 |
| Tools.....   | 36 |
| <br>   |    |
| Part Number Index.....                             | 38 |
| Part Description Index.....                        | 39 |

***This Page Intentionally Left Blank***

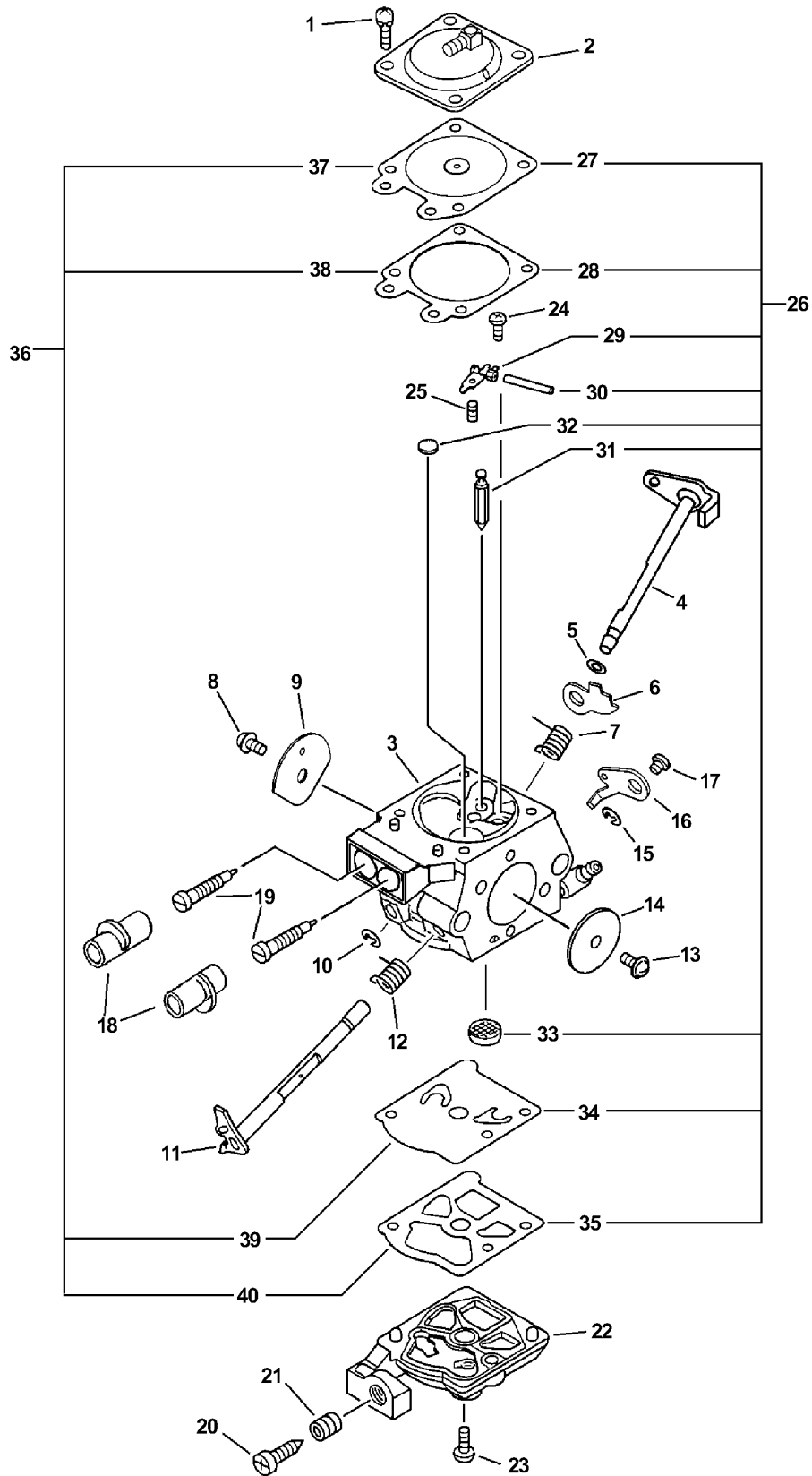


010 0006 000

| ITEM | PART NUMBER | QTY | DESCRIPTION              | REMARKS |
|------|-------------|-----|--------------------------|---------|
| 1    | A235000040  | 1   | KNOB, AIR CLEANER LID    |         |
| 2    | A232000290  | 1   | LID, AIR CLEANER         |         |
| 3    | A226000291  | 1   | FILTER, AIR <sup>1</sup> |         |
| 4    | 90023805050 | 2   | SCREW 5X50               |         |
| 5    | A204000072  | 1   | MOUNT, AIR FILTER        |         |
| 6    | -----       | 1   | CARBURETOR <sup>2</sup>  |         |

**Footnotes**

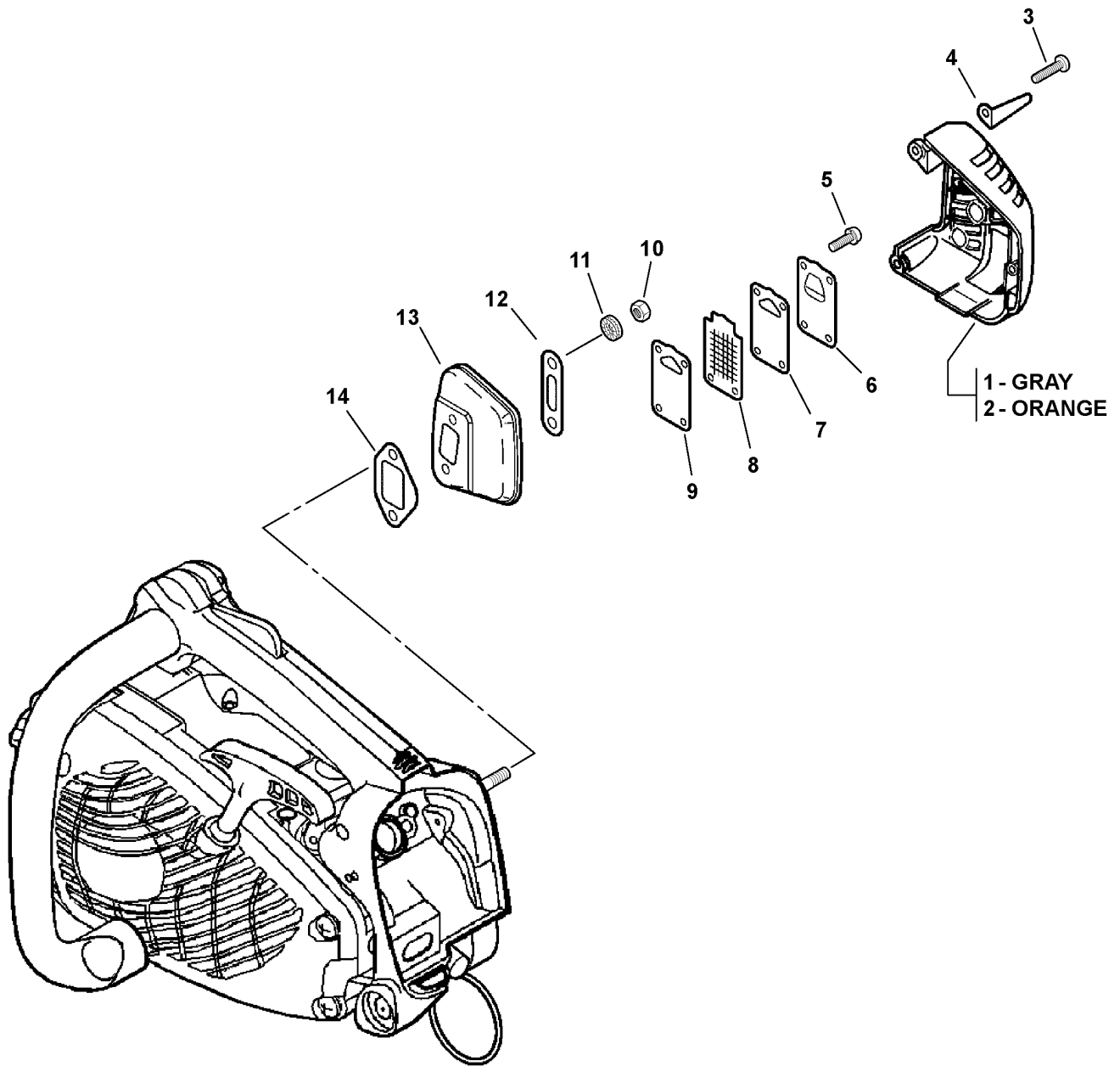
- 1:** Also Included In REPOWER TUNE-UP KIT
- 2:** See Carburetor Diagram For Additional Information



| ITEM | PART NUMBER | QTY | DESCRIPTION                   | REMARKS             |
|------|-------------|-----|-------------------------------|---------------------|
|      | A021001110  | 1   | CARBURETOR -- WT-739          |                     |
| 1    | 12313002960 | 4   | SCREW                         |                     |
| 2    | P003001390  | 1   | COVER, METERING DIAPHRAGM     |                     |
| 3    | -----       | 1   | BODY, CARBURETOR <sup>1</sup> |                     |
| 4    | P003001140  | 1   | SHAFT, CHOKE                  |                     |
| 5    | 12314926030 | 1   | WASHER                        |                     |
| 6    | P003000160  | 1   | LEVER, FAST IDLE              |                     |
| 7    | P003000140  | 1   | SPRING, CHOKE RETURN          |                     |
| 8    | 12311403930 | 1   | SCREW                         |                     |
| 9    | P003001410  | 1   | VALVE, CHOKE                  |                     |
| 10   | 12312715030 | 1   | CIRCLIP                       |                     |
| 11   | P003001300  | 1   | SHAFT, THROTTLE               |                     |
| 12   | 12311337530 | 1   | SPRING, THROTTLE RETURN       |                     |
| 13   | 12311405260 | 1   | SCREW, THROTTLE VALVE         |                     |
| 14   | 12311610530 | 1   | VALVE, THROTTLE               |                     |
| 15   | 12312715030 | 1   | CIRCLIP                       |                     |
| 16   | P003000380  | 1   | LEVER, THROTTLE               |                     |
| 17   | 12311403930 | 1   | SCREW                         |                     |
| 18   | P003000010  | 2   | CAP, MIXTURE LIMITER          |                     |
| 19   | 12312052131 | 2   | NEEDLE, ADJUSTMENT            |                     |
| 20   | P003001400  | 1   | SCREW, IDLE ADJUST            |                     |
| 21   | 12313304260 | 1   | SPRING, IDLE ADJUST           |                     |
| 22   | P003001380  | 1   | COVER, FUEL PUMP              |                     |
| 23   | 12311003930 | 1   | SCREW, PUMP COVER             |                     |
| 24   | 12313903930 | 1   | SCREW                         |                     |
| 25   | 12312203660 | 1   | SPRING, METERING LEVER        |                     |
| 26   | P003000250  | 1   | REPAIR KIT                    | INCLUDES ITEM 27-35 |
| 27   | -----       | 1   | DIAPHRAGM, METERING           |                     |
| 28   | -----       | 1   | GASKET, METERING DIAPHRAGM    |                     |
| 29   | -----       | 1   | LEVER, METERING               |                     |
| 30   | -----       | 1   | PIN, METERING LEVER           |                     |
| 31   | -----       | 1   | VALVE, INLET NEEDLE           |                     |
| 32   | -----       | 1   | PLUG, WELCH                   |                     |
| 33   | -----       | 1   | SCREEN, INLET                 |                     |
| 34   | -----       | 1   | DIAPHRAGM, FUEL PUMP          |                     |
| 35   | -----       | 1   | GASKET, FUEL PUMP             |                     |
| 36   | P003000240  | 1   | GASKET/DIAPHRAGM KIT          | INCLUDES ITEM 37-40 |
| 37   | -----       | 1   | DIAPHRAGM, METERING           |                     |
| 38   | -----       | 1   | GASKET, METERING DIAPHRAGM    |                     |
| 39   | -----       | 1   | DIAPHRAGM, FUEL PUMP          |                     |
| 40   | -----       | 1   | GASKET, FUEL PUMP             |                     |

**Footnotes**

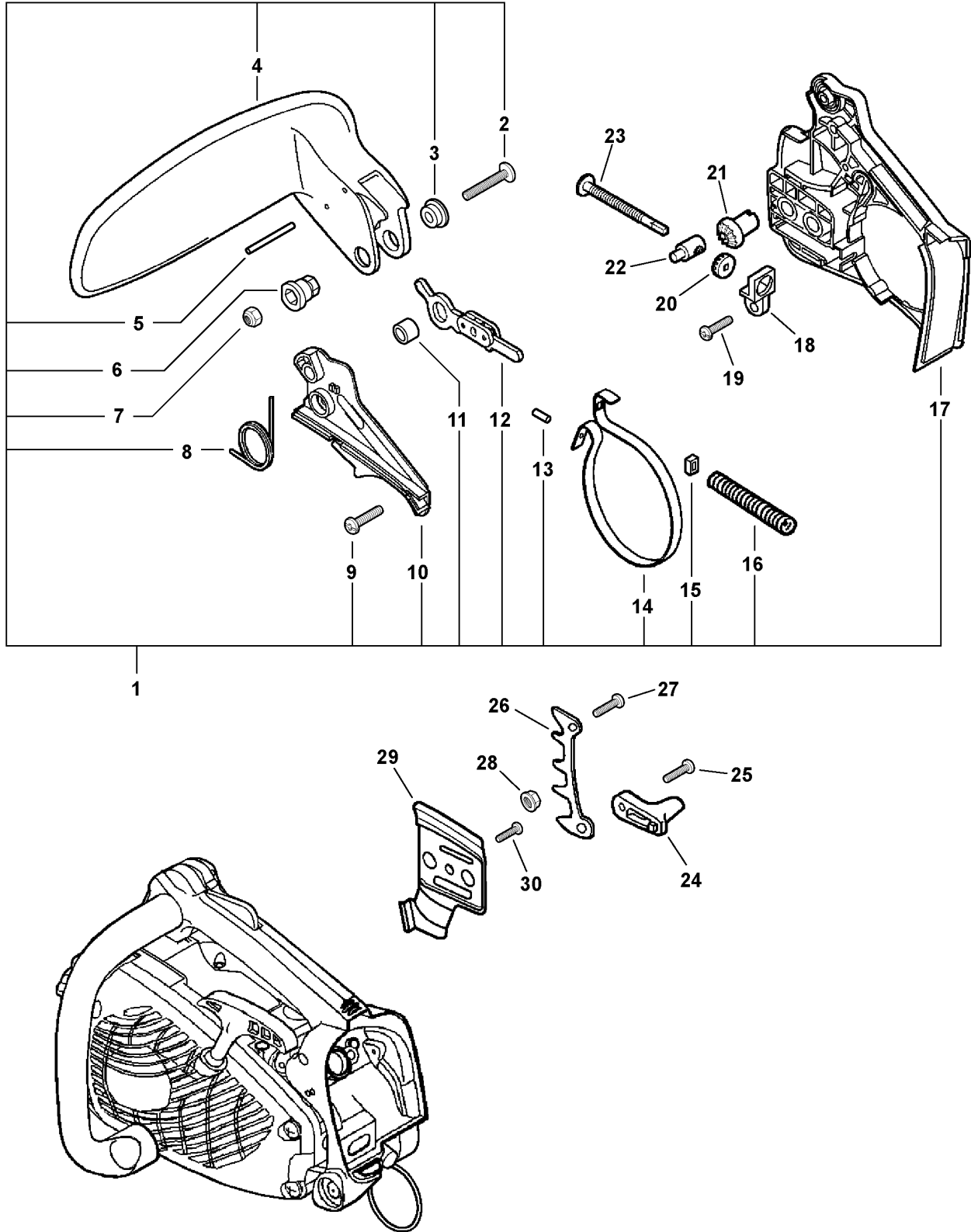
1: NOT AVAILABLE SEPARATELY



011 0005 000

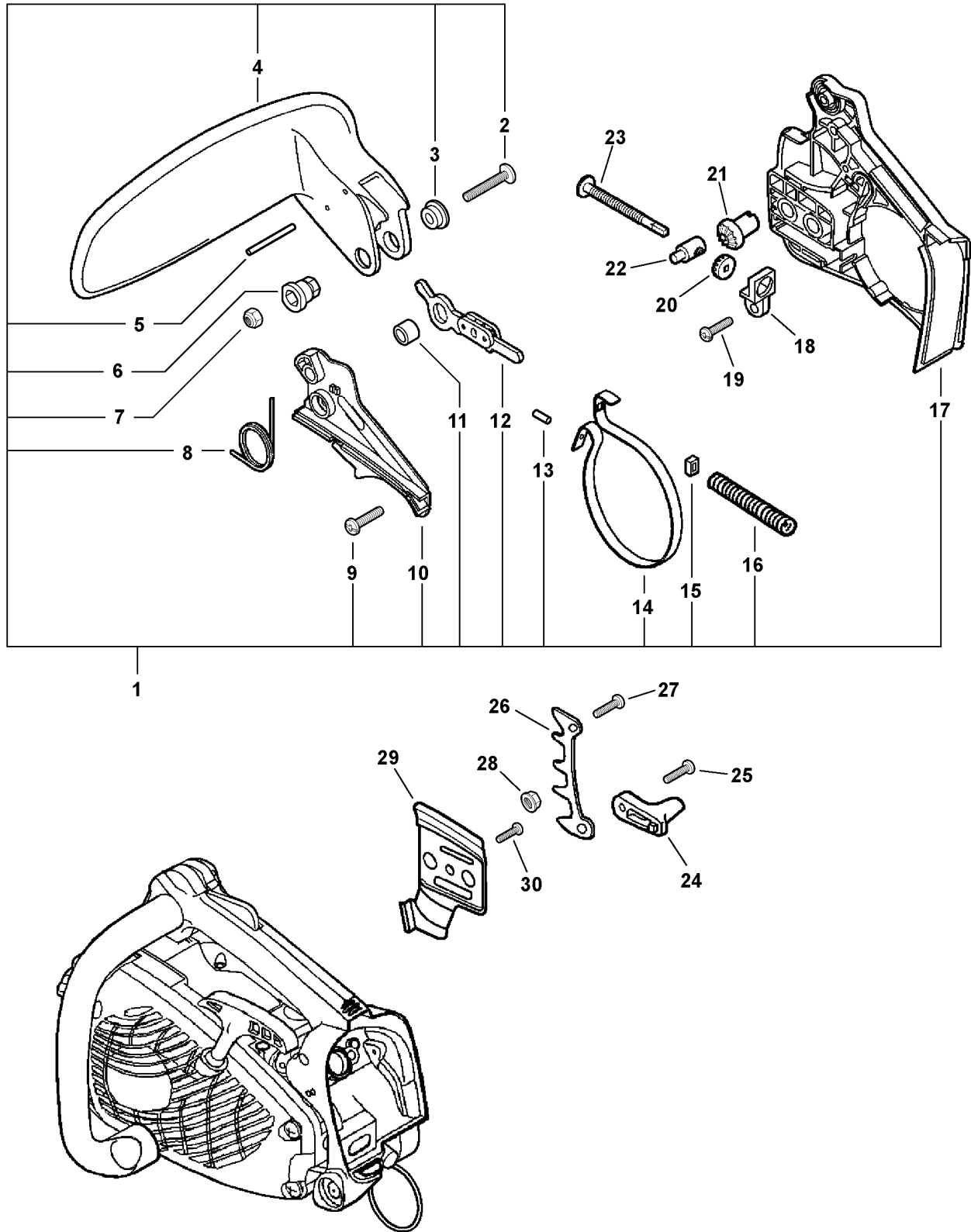


| ITEM | PART NUMBER | QTY | DESCRIPTION             | REMARKS |
|------|-------------|-----|-------------------------|---------|
| 1    | A320000322  | 1   | COVER, MUFFLER - GRAY   |         |
| 2    | A320000490  | 1   | COVER, MUFFLER - ORANGE |         |
| 3    | 90025304016 | 3   | SCREW 4X16 - TAPPING    |         |
| 4    | V376000740  | 1   | SPACER                  |         |
| 5    | 9136704012  | 4   | SCREW 4X12              |         |
| 6    | A313000721  | 1   | GUIDE, EXHAUST          |         |
| 7    | V104000680  | 1   | GASKET, EXHAUST         |         |
| 8    | A310000030  | 1   | SCREEN                  |         |
| 9    | A313000710  | 1   | GUIDE, EXHAUST          |         |
| 10   | 90050000005 | 2   | NUT                     |         |
| 11   | 9228005000  | 2   | WASHER                  |         |
| 12   | 14564213930 | 1   | EYE PLATE               |         |
| 13   | A300000551  | 1   | MUFFLER                 |         |
| 14   | A301000020  | 1   | GASKET, EXHAUST         |         |



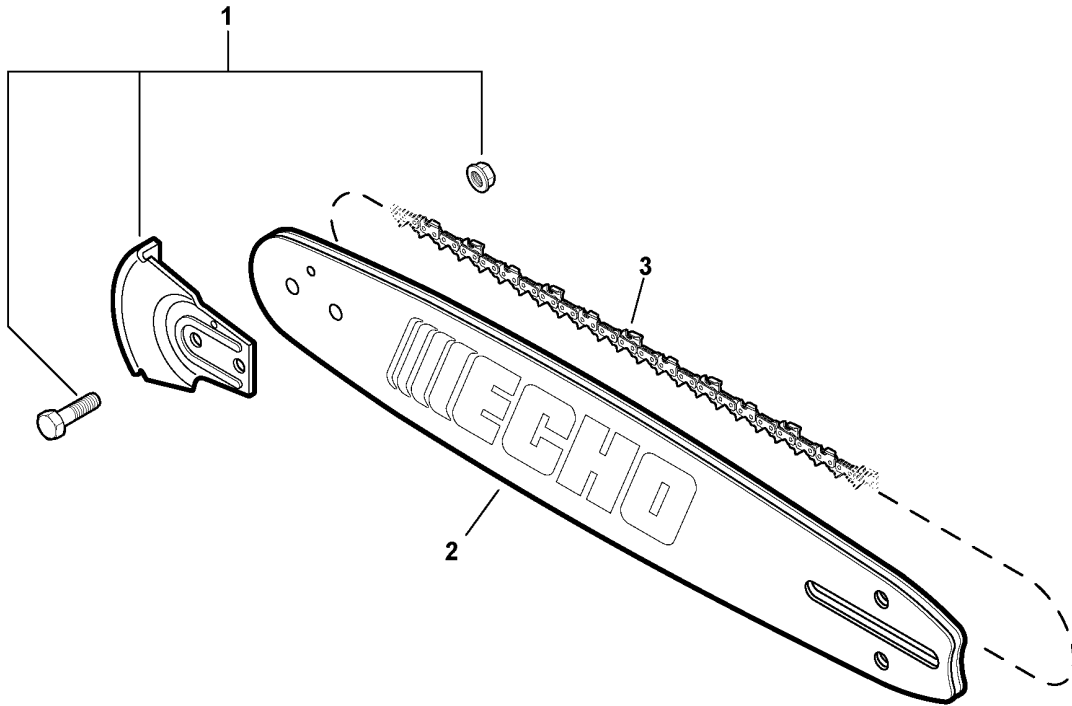
013 0006 GRA

| ITEM | PART NUMBER | QTY | DESCRIPTION            | REMARKS             |
|------|-------------|-----|------------------------|---------------------|
| 1    | C032000261  | 1   | CHAIN BRAKE ASY        | INCLUDES ITEMS 2-17 |
| 2    | 9131805032  | 1   | SCREW 5X32             |                     |
| 3    | 43316739130 | 1   | SPACER                 |                     |
| 4    | C320000090  | 1   | LEVER, BRAKE - ORANGE  |                     |
| 5    | 90033030260 | 2   | ROLLER                 |                     |
| 6    | V353000060  | 1   | COLLAR                 |                     |
| 7    | 90056250005 | 1   | FLANGE NUT 5           |                     |
| 8    | V452000110  | 1   | SPRING                 |                     |
| 9    | 90025304012 | 3   | SCREW 4X12 - TAPPING   |                     |
| 10   | C345000191  | 1   | COVER, BRAKE - GRAY    |                     |
| 11   | 43311635430 | 1   | SPACER 8X12X9          |                     |
| 12   | C334000070  | 1   | CONNECTOR, BRAKE       |                     |
| 13   | 9305030098  | 1   | ROLLER                 |                     |
| 14   | C328000030  | 1   | BAND, BRAKE            |                     |
| 15   | V376000450  | 1   | SPACER                 |                     |
| 16   | V450000070  | 1   | SPRING                 |                     |
| 17   | C300000291  | 1   | GUARD, SPROCKET - GRAY |                     |
| 18   | V355000140  | 1   | COLLAR                 |                     |
| 19   | 90025304012 | 1   | SCREW 4X12 - TAPPING   |                     |
| 20   | V651000011  | 1   | GEAR, BEVEL            |                     |
| 21   | V651000001  | 1   | GEAR, BEVEL            |                     |
| 22   | C309000030  | 1   | TENSIONER, CHAIN       |                     |
| 23   | V203000041  | 1   | BOLT 5                 |                     |
| 24   | 43302635430 | 1   | CATCHER, CHAIN         |                     |
| 25   | 90025305020 | 1   | SCREW 5X20 - TAPPING   |                     |
| 26   | C304000000  | 1   | BUMPER, SPIKED         |                     |
| 27   | 90025305020 | 1   | SCREW 5X20 - TAPPING   |                     |
| 28   | 43301903933 | 2   | FLANGE NUT             |                     |
| 29   | C305000080  | 1   | PLATE, SPROCKET GUARD  |                     |
| 30   | 90025304010 | 1   | SCREW 4X10             |                     |



013 0006 ORA

| ITEM | PART NUMBER | QTY | DESCRIPTION              | REMARKS             |
|------|-------------|-----|--------------------------|---------------------|
| 1    | P021016470  | 1   | CHAIN BRAKE ASY          | INCLUDES ITEMS 2-17 |
| 2    | 9131805032  | 1   | SCREW 5X32               |                     |
| 3    | 43316739130 | 1   | SPACER                   |                     |
| 4    | C320000190  | 1   | LEVER, BRAKE - BLACK     |                     |
| 5    | 90033030260 | 2   | ROLLER                   |                     |
| 6    | V353000060  | 1   | COLLAR                   |                     |
| 7    | 90056250005 | 1   | FLANGE NUT 5             |                     |
| 8    | V452000110  | 1   | SPRING                   |                     |
| 9    | 90025304012 | 3   | SCREW 4X12 - TAPPING     |                     |
| 10   | C345000310  | 1   | COVER, BRAKE - ORANGE    |                     |
| 11   | 43311635430 | 1   | SPACER 8X12X9            |                     |
| 12   | C334000070  | 1   | CONNECTOR, BRAKE         |                     |
| 13   | 9305030098  | 1   | ROLLER                   |                     |
| 14   | C328000030  | 1   | BAND, BRAKE              |                     |
| 15   | V376000450  | 1   | SPACER                   |                     |
| 16   | V450000070  | 1   | SPRING                   |                     |
| 17   | C300000420  | 1   | GUARD, SPROCKET - ORANGE |                     |
| 18   | V355000140  | 1   | COLLAR                   |                     |
| 19   | 90025304012 | 1   | SCREW 4X12 - TAPPING     |                     |
| 20   | V651000011  | 1   | GEAR, BEVEL              |                     |
| 21   | V651000001  | 1   | GEAR, BEVEL              |                     |
| 22   | C309000030  | 1   | TENSIONER, CHAIN         |                     |
| 23   | V203000041  | 1   | BOLT 5                   |                     |
| 24   | 43302635430 | 1   | CATCHER, CHAIN           |                     |
| 25   | 90025305020 | 1   | SCREW 5X20 - TAPPING     |                     |
| 26   | C304000000  | 1   | BUMPER, SPIKED           |                     |
| 27   | 90025305020 | 1   | SCREW 5X20 - TAPPING     |                     |
| 28   | 43301903933 | 2   | FLANGE NUT               |                     |
| 29   | C305000080  | 1   | PLATE, SPROCKET GUARD    |                     |
| 30   | 90025304010 | 1   | SCREW 4X10               |                     |



016 0004 000

**CS-330T Chain Saw**

**Standard Guide Bar, Sawing Chain, Kick Guard**

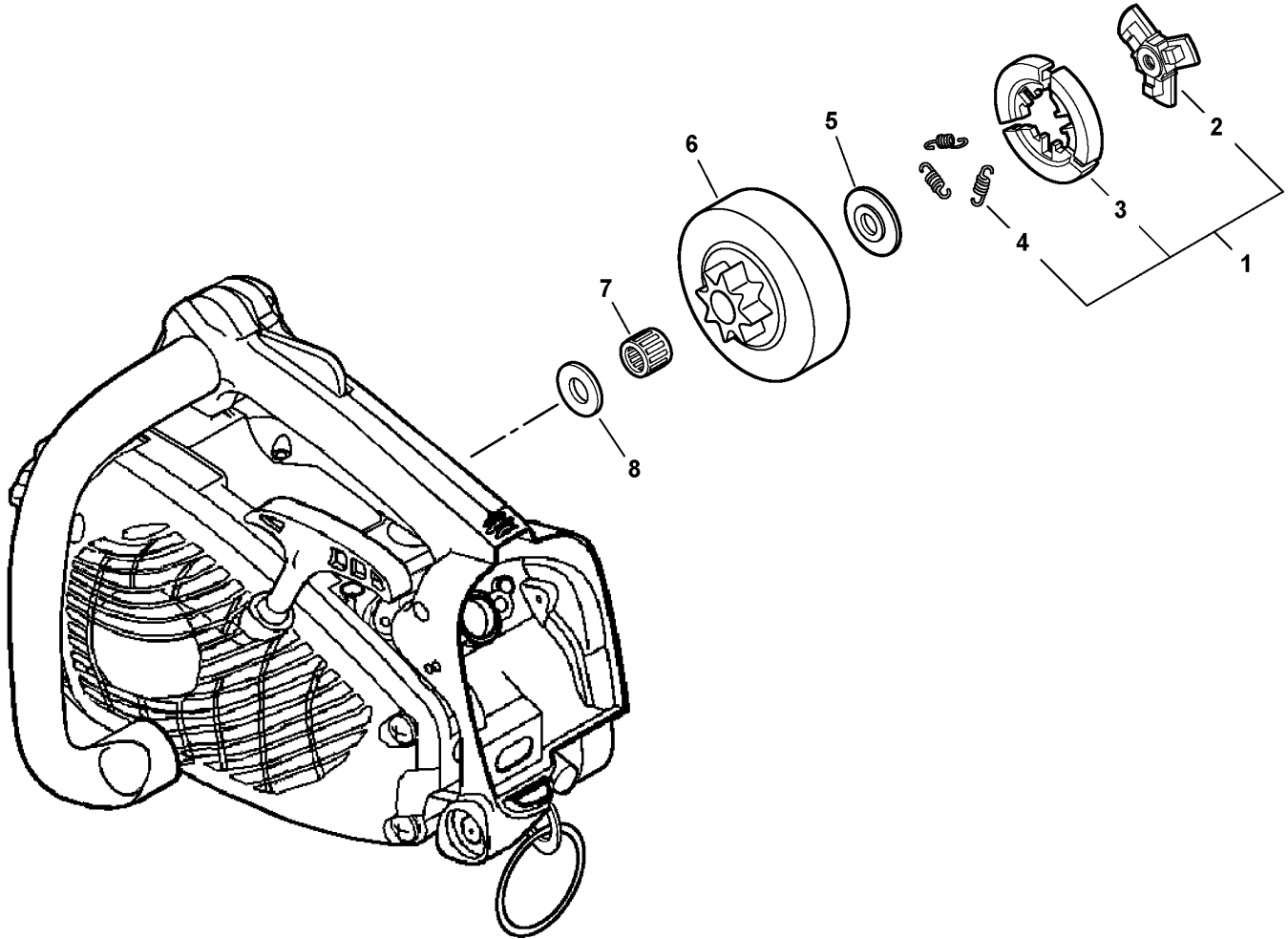
---

| <u>ITEM</u> | <u>PART NUMBER</u> | <u>QTY</u> | <u>DESCRIPTION</u>                           | <u>REMARKS</u>              |
|-------------|--------------------|------------|--|-----------------------------|
| 1           | 2894901            | 1          | KICK GUARD KIT                               |                             |
| 2           | 14A0ED3752         | 1          | GUIDE BAR - 14" -- Pro 91                    | GAUGE: .050"                |
| 3           | 91VG52CQ           | 1          | SAWING CHAIN - 14" -- XtraGUARD <sup>1</sup> | GAUGE: .050" / PITCH: .375" |

---

**Footnotes**

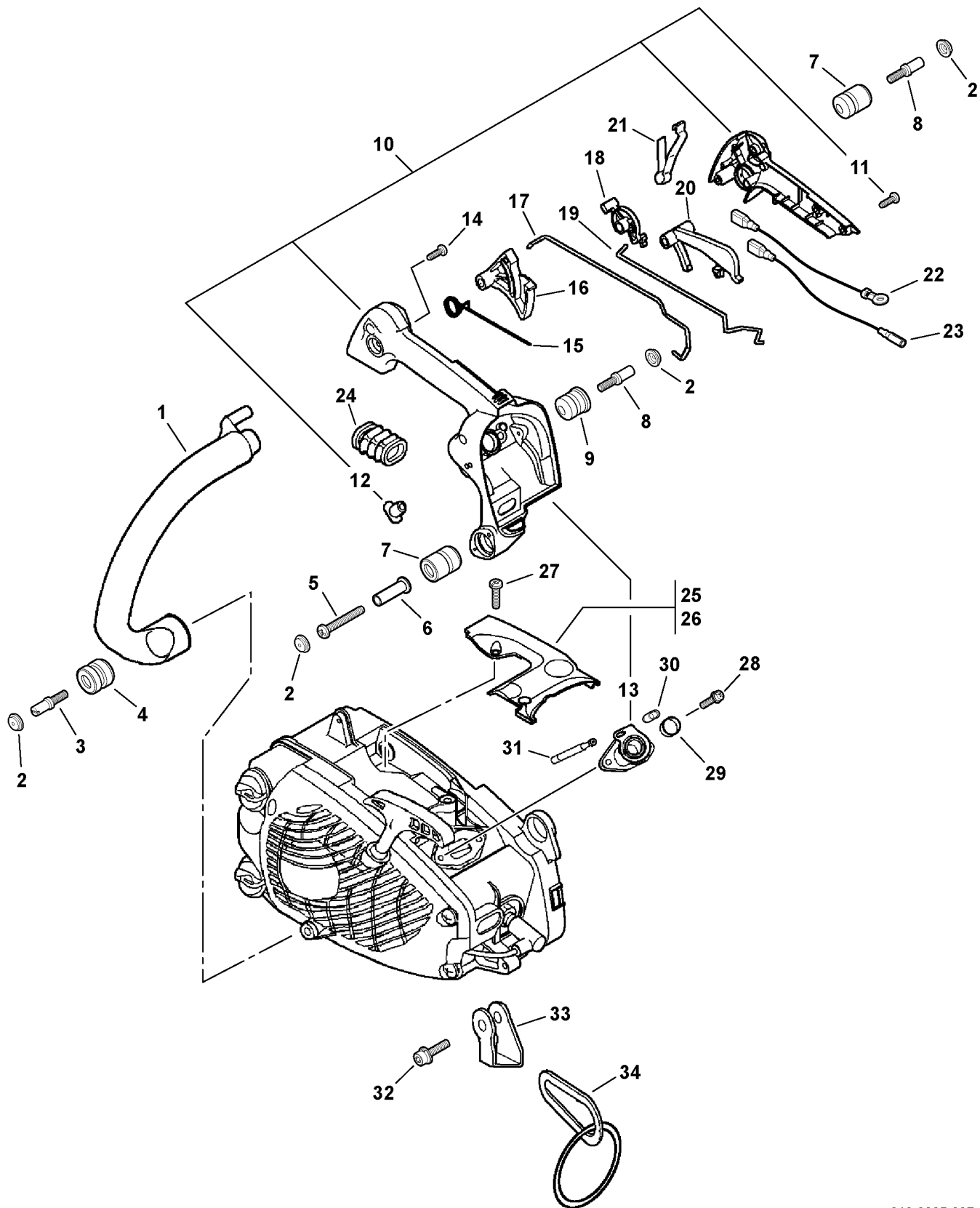
1: Low Vibration



014 0004 000

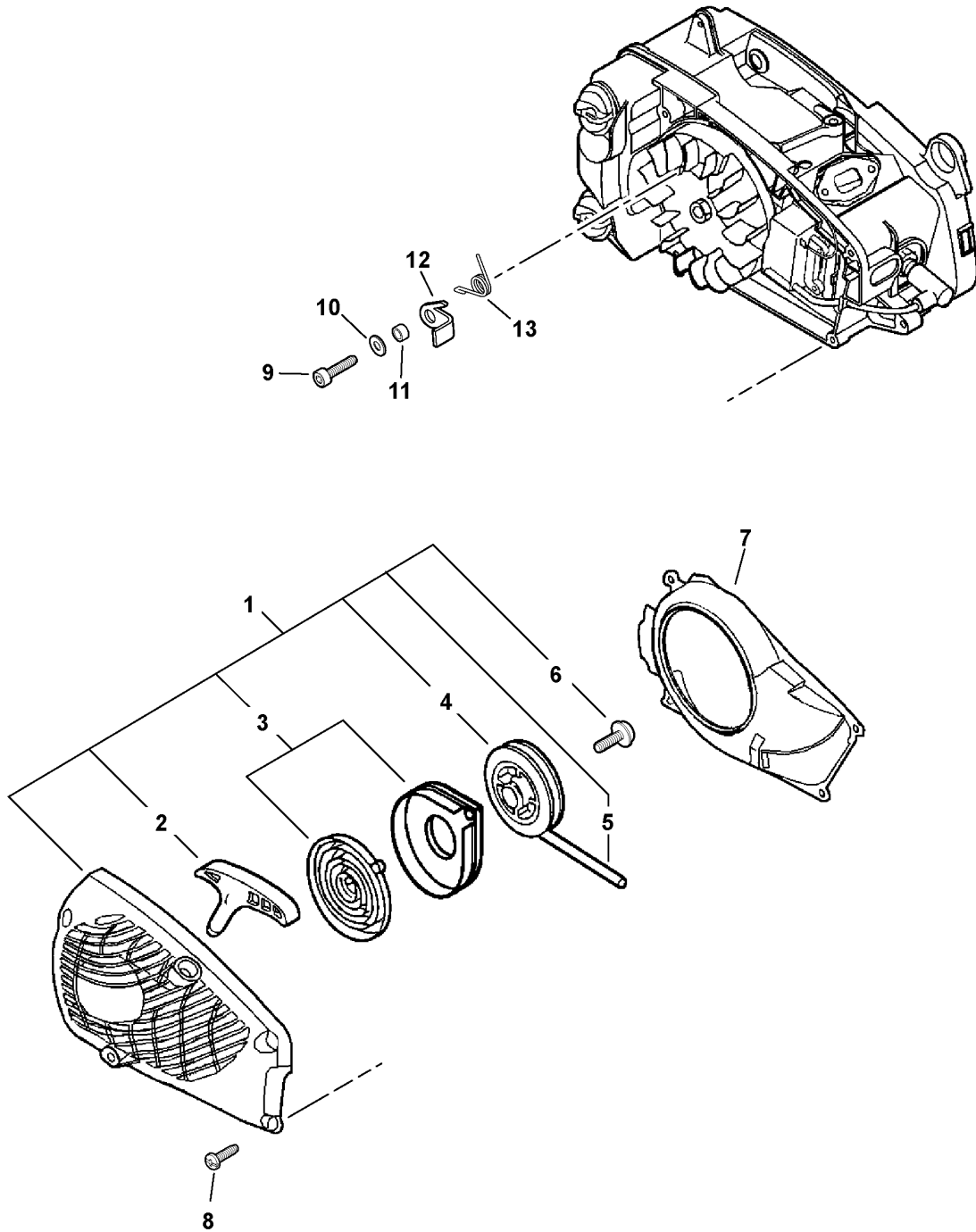


| ITEM | PART NUMBER | QTY | DESCRIPTION     | REMARKS            |
|------|-------------|-----|-----------------|--------------------|
| 1    | A056000070  | 1   | CLUTCH ASY      | INCLUDES ITEMS 2-4 |
| 2    | A552000020  | 1   | HUB, CLUTCH     |                    |
| 3    | P021005810  | 1   | CLUTCH SHOE SET |                    |
| 4    | V451000470  | 3   | SPRING, CLUTCH  |                    |
| 5    | A551000010  | 1   | PLATE, CLUTCH   |                    |
| 6    | 17500539132 | 1   | DRUM, CLUTCH    |                    |
| 7    | 17501200831 | 1   | BEARING, NEEDLE |                    |
| 8    | 17501439131 | 1   | WASHER          |                    |



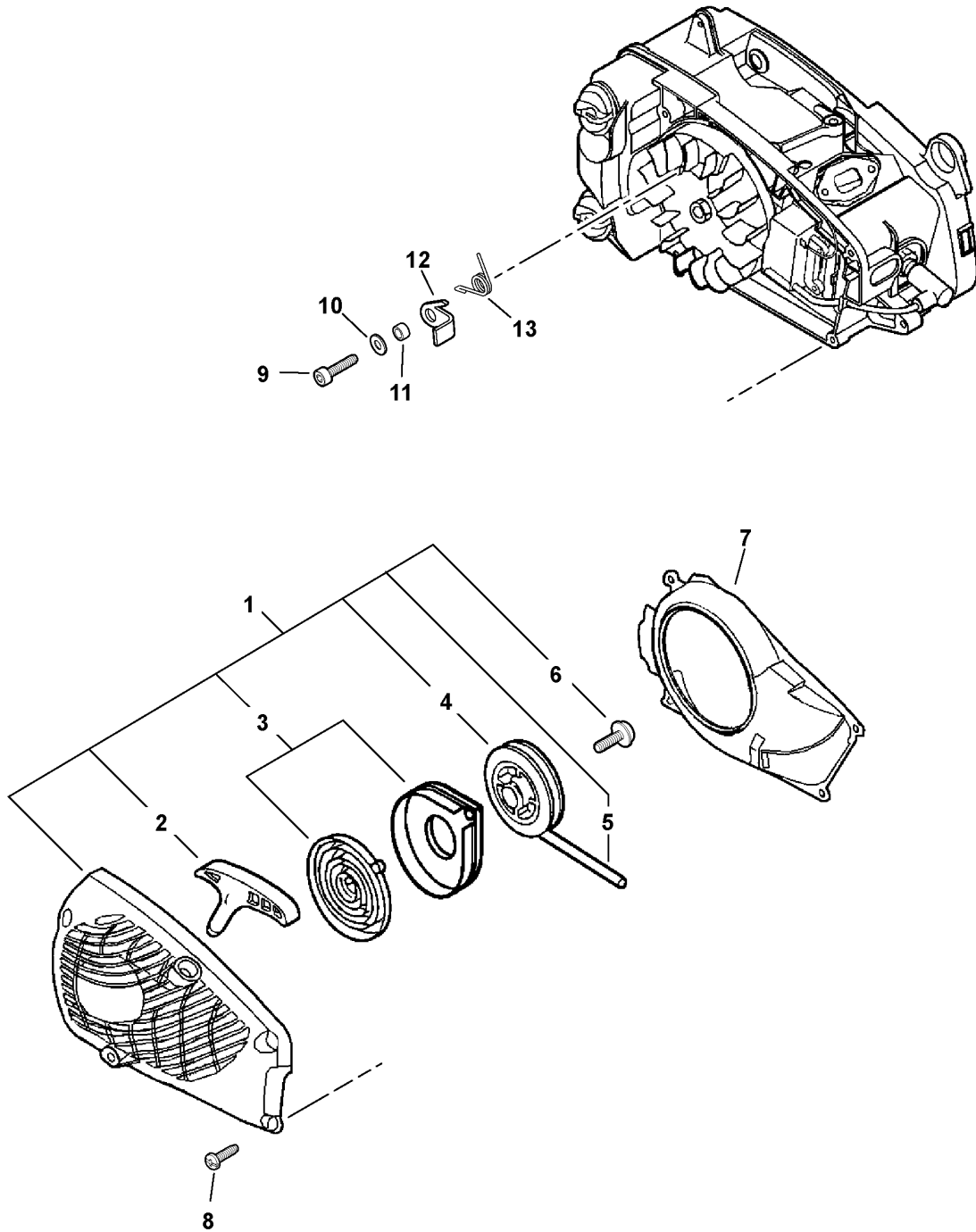
012 0005 00B

| ITEM | PART NUMBER | QTY | DESCRIPTION              | REMARKS              |
|------|-------------|-----|--------------------------|----------------------|
| 1    | C400000371  | 1   | HANDLE, FRONT            |                      |
| 2    | 10091815130 | 4   | CAP                      |                      |
| 3    | 10091532530 | 1   | SCREW                    |                      |
| 4    | 10091060030 | 1   | CUSHION                  |                      |
| 5    | 9148104035  | 1   | SCREW 4X35 - TAPPING     |                      |
| 6    | V352000020  | 1   | COLLAR                   |                      |
| 7    | V400000021  | 2   | CUSHION                  |                      |
| 8    | V202000020  | 2   | BOLT                     |                      |
| 9    | 10092139130 | 1   | CUSHION                  |                      |
| 10   | P021009003  | 1   | REAR HANDLE SET          | INCLUDES ITEMS 11-13 |
| 11   | 90025604016 | 4   | SCREW 4X16               |                      |
| 12   | 13002033330 | 2   | NUT                      |                      |
| 13   | A202000051  | 1   | BELLOWS, INTAKE          |                      |
| 14   | 90025305020 | 2   | SCREW 5X20 - TAPPING     |                      |
| 15   | V452000010  | 1   | SPRING, THROTTLE TRIGGER |                      |
| 16   | C450000010  | 1   | TRIGGER, THROTTLE        |                      |
| 17   | C454000070  | 1   | ROD, THROTTLE            |                      |
| 18   | A253000043  | 1   | LEVER, CHOKE             |                      |
| 19   | A240000010  | 1   | ROD, CHOKE               |                      |
| 20   | C460000002  | 1   | LOCKOUT, THROTTLE        |                      |
| 21   | V486000010  | 1   | TERMINAL, LEAD           |                      |
| 22   | V485000340  | 1   | LEAD, GROUND             |                      |
| 23   | 16201055930 | 1   | LEAD, IGNITION           |                      |
| 24   | A239000000  | 1   | BELLOWS, INTAKE          |                      |
| 25   | A127000130  | 1   | COVER, DUST - GRAY       |                      |
| 26   | A127000220  | 1   | COVER, DUST - ORANGE     |                      |
| 27   | 90025304012 | 2   | SCREW 4X12 - TAPPING     |                      |
| 28   | 90023805012 | 2   | SCREW 5X12               |                      |
| 29   | V359000060  | 1   | COLLAR                   |                      |
| 30   | V351000000  | 1   | ADAPTOR                  |                      |
| 31   | V470000481  | 1   | PIPE                     |                      |
| 32   | 90016204025 | 1   | SCREW 4X25               |                      |
| 33   | C626000040  | 1   | BRACKET, HARNESS         |                      |
| 34   | C646000050  | 1   | RING, HARNESS            |                      |



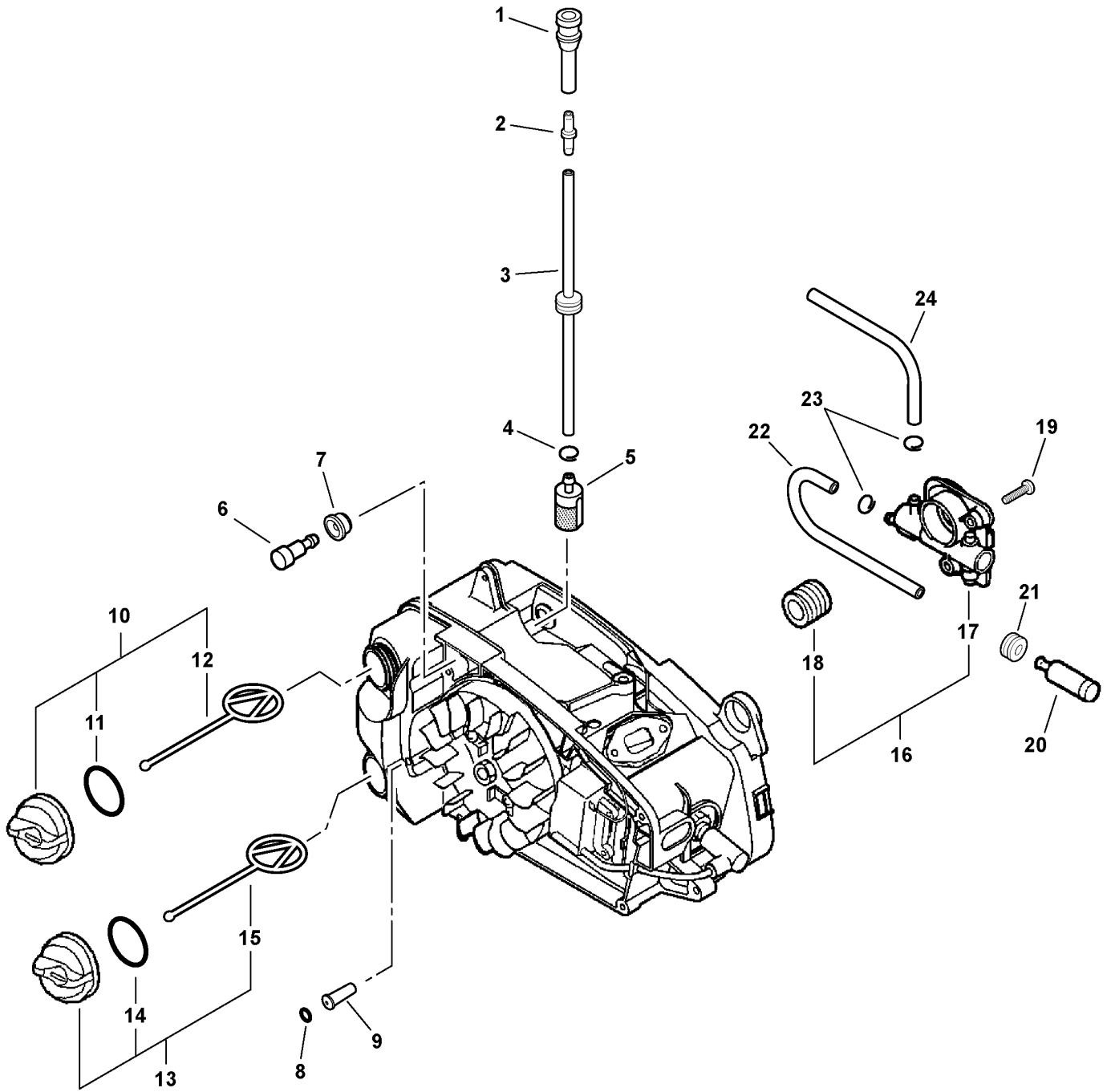
015 0003 000

| ITEM | PART NUMBER | QTY | DESCRIPTION             | REMARKS                          |
|------|-------------|-----|-------------------------|----------------------------------|
| 1    | A051000921  | 1   | STARTER ASY - GRAY      | INCLUDES ITEMS 2-6               |
| 2    | P022005890  | 1   | GRIP, STARTER           |                                  |
| 3    | P022010440  | 1   | REWIND SPRING KIT       |                                  |
| 4    | P022010451  | 1   | DRUM, STARTER           |                                  |
| 5    | P022005900  | 1   | ROPE, STARTER - 3X920mm | REPOWER BULK OPTION: 99944440000 |
| 6    | 17723644330 | 1   | SCREW                   |                                  |
| 7    | A172000510  | 1   | COVER, FAN              |                                  |
| 8    | V202000040  | 4   | SCREW                   |                                  |
| 9    | 90010505014 | 2   | SCREW 5X14              |                                  |
| 10   | 90060300005 | 4   | WASHER                  |                                  |
| 11   | 17724704630 | 2   | SPACER                  |                                  |
| 12   | A514000020  | 2   | PAWL                    |                                  |
| 13   | 17723435430 | 2   | SPRING, RETURN          |                                  |



015 0003 ORA

| ITEM | PART NUMBER | QTY | DESCRIPTION             | REMARKS                          |
|------|-------------|-----|-------------------------|----------------------------------|
| 1    | A051001330  | 1   | STARTER ASY - ORANGE    | INCLUDES ITEMS 2-6               |
| 2    | P022005890  | 1   | GRIP, STARTER           |                                  |
| 3    | P022010440  | 1   | REWIND SPRING KIT       |                                  |
| 4    | P022010451  | 1   | DRUM, STARTER           |                                  |
| 5    | P022005900  | 1   | ROPE, STARTER - 3X920mm | REPOWER BULK OPTION: 99944440000 |
| 6    | 17723644330 | 1   | SCREW                   |                                  |
| 7    | A172000510  | 1   | COVER, FAN              |                                  |
| 8    | V202000040  | 4   | SCREW                   |                                  |
| 9    | 90010505014 | 2   | SCREW 5X14              |                                  |
| 10   | 90060300005 | 4   | WASHER                  |                                  |
| 11   | 17724704630 | 2   | SPACER                  |                                  |
| 12   | A514000020  | 2   | PAWL                    |                                  |
| 13   | 17723435430 | 2   | SPRING, RETURN          |                                  |



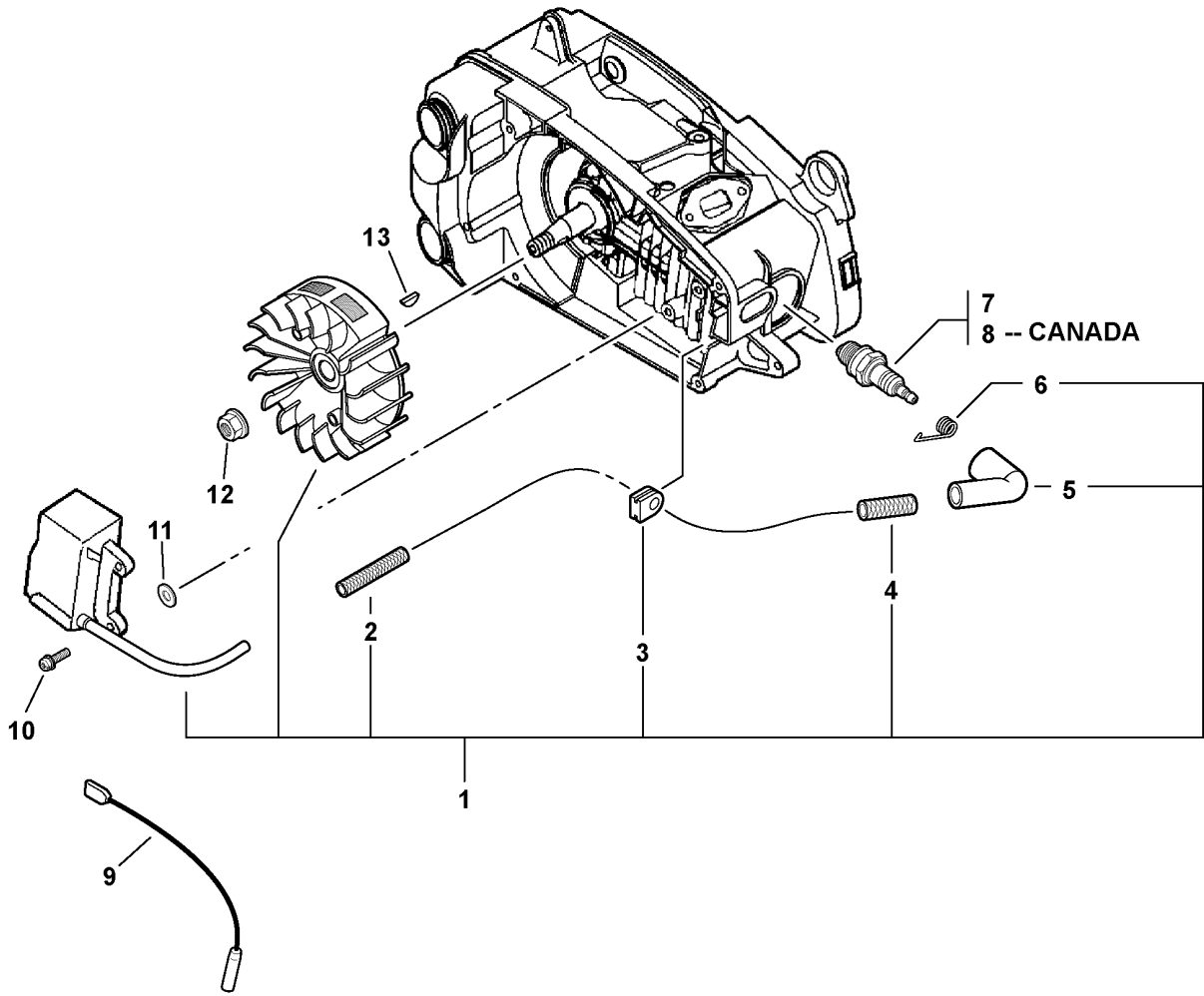
017 0003 000



| ITEM | PART NUMBER | QTY | DESCRIPTION               | REMARKS                    |
|------|-------------|-----|---------------------------|----------------------------|
| 1    | V470000690  | 1   | PIPE, FUEL                |                            |
| 2    | V186000020  | 1   | CONNECTOR                 |                            |
| 3    | V470000710  | 1   | FUEL PIPE ASY             |                            |
| 4    | 13201309820 | 1   | CLIP                      |                            |
| 5    | 13120507320 | 1   | FILTER, FUEL <sup>1</sup> |                            |
| 6    | A356000030  | 1   | VENT ASY                  |                            |
| 7    | V137000000  | 1   | GROMMET                   |                            |
| 8    | 90072400004 | 1   | O-RING                    |                            |
| 9    | 43611413930 | 1   | VALVE, CHECK              |                            |
| 10   | P021005591  | 1   | CAP ASY - ORANGE          | INCLUDES ITEMS 11-12       |
| 11   | 90072000018 | 1   | O-RING                    |                            |
| 12   | A365000050  | 1   | CONNECTOR, CAP            |                            |
| 13   | P021005581  | 1   | CAP ASY - BLACK           | INCLUDES ITEMS 14-15       |
| 14   | 90072000018 | 1   | O-RING                    |                            |
| 15   | A365000050  | 1   | CONNECTOR, CAP            |                            |
| 16   | P021001980  | 1   | AUTO-OILER ASY            | INCLUDES ITEMS 17-18       |
| 17   | C022000000  | 1   | AUTO-OILER                |                            |
| 18   | V652000010  | 1   | GEAR, WORM                |                            |
| 19   | 90023804012 | 2   | SCREW 4X12                |                            |
| 20   | 43620502832 | 1   | FILTER, OIL               |                            |
| 21   | 13211501461 | 1   | GROMMET                   |                            |
| 22   | 13011005260 | 1   | PIPE, IMPULSE - 3X5X185mm | REPOWER BULK OPTION: 90014 |
| 23   | 13201326630 | 2   | CLIP                      |                            |
| 24   | V471000760  | 1   | PIPE, OIL - 3X6X90mm      |                            |

**Footnotes**

**1:** Also Included In REPOWER TUNE-UP KIT

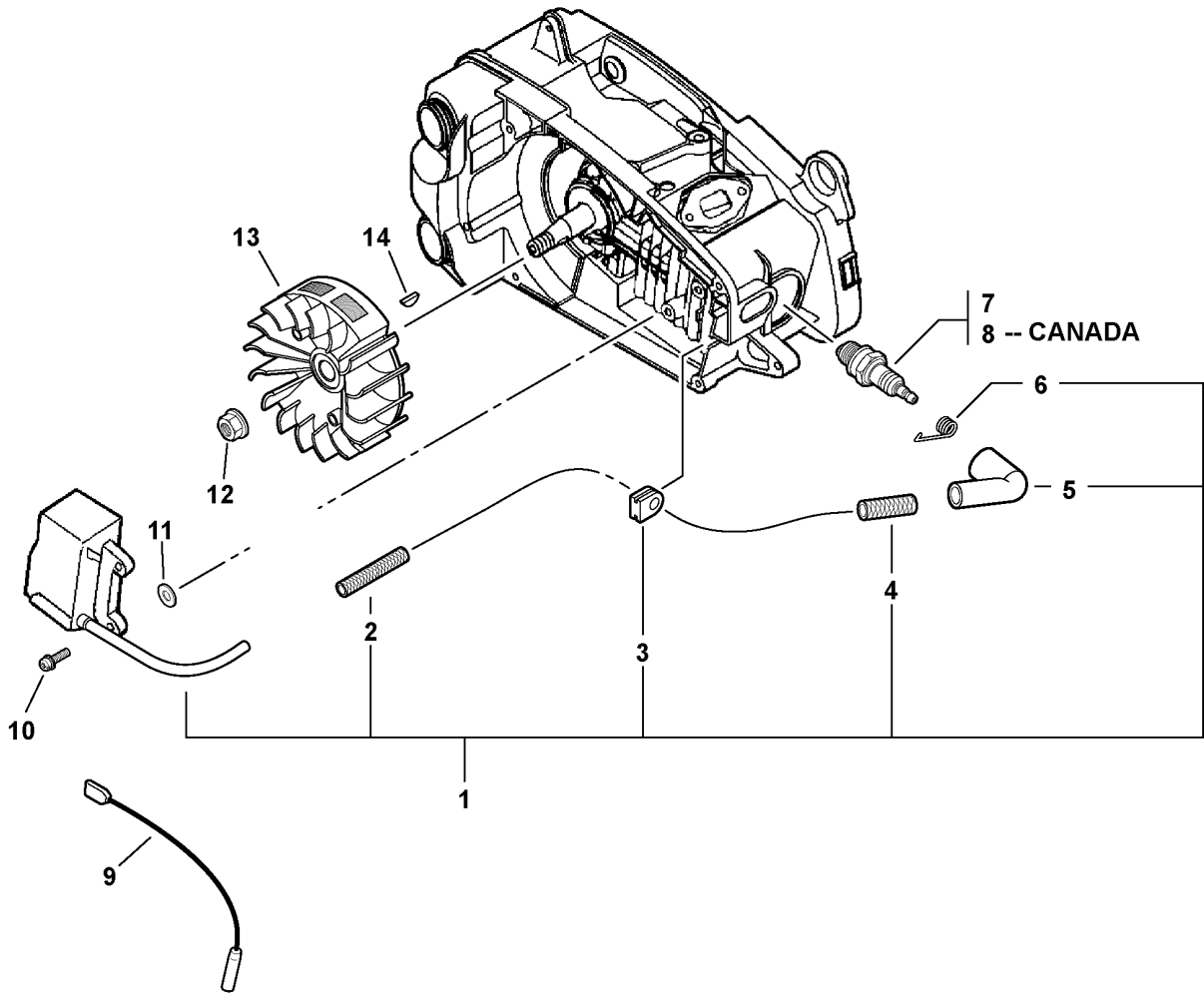


018 0004 00B

| ITEM | PART NUMBER | QTY | DESCRIPTION                        | REMARKS            |
|------|-------------|-----|------------------------------------|--------------------|
| 1    | P021013330  | 1   | COIL & FLYWHEEL KIT                | INCLUDES ITEMS 2-6 |
| 2    | P003001450  | 1   | TUBE, INSULATOR                    |                    |
| 3    | 15611004920 | 1   | BUSHING                            |                    |
| 4    | P003001440  | 1   | TUBE, INSULATOR                    |                    |
| 5    | A427000020  | 1   | CAP, SPARK PLUG                    |                    |
| 6    | A426000020  | 1   | TERMINAL, SPARK PLUG CAP           |                    |
| 7    | 15901019830 | 1   | SPARK PLUG -- BPM-8Y <sup>1</sup>  |                    |
| 8    | A425000000  | 1   | SPARK PLUG -- BPMR-8Y <sup>1</sup> |                    |
| 9    | V485000590  | 1   | LEAD, IGNITION                     |                    |
| 10   | 90023805022 | 2   | SCREW 5X22                         |                    |
| 11   | 15011716430 | 2   | SPACER                             |                    |
| 12   | 90051500008 | 1   | FLANGE NUT                         |                    |
| 13   | 10014212330 | 1   | WOODRUFF KEY                       |                    |

**Footnotes**

1: Also Included In REPOWER TUNE-UP KIT

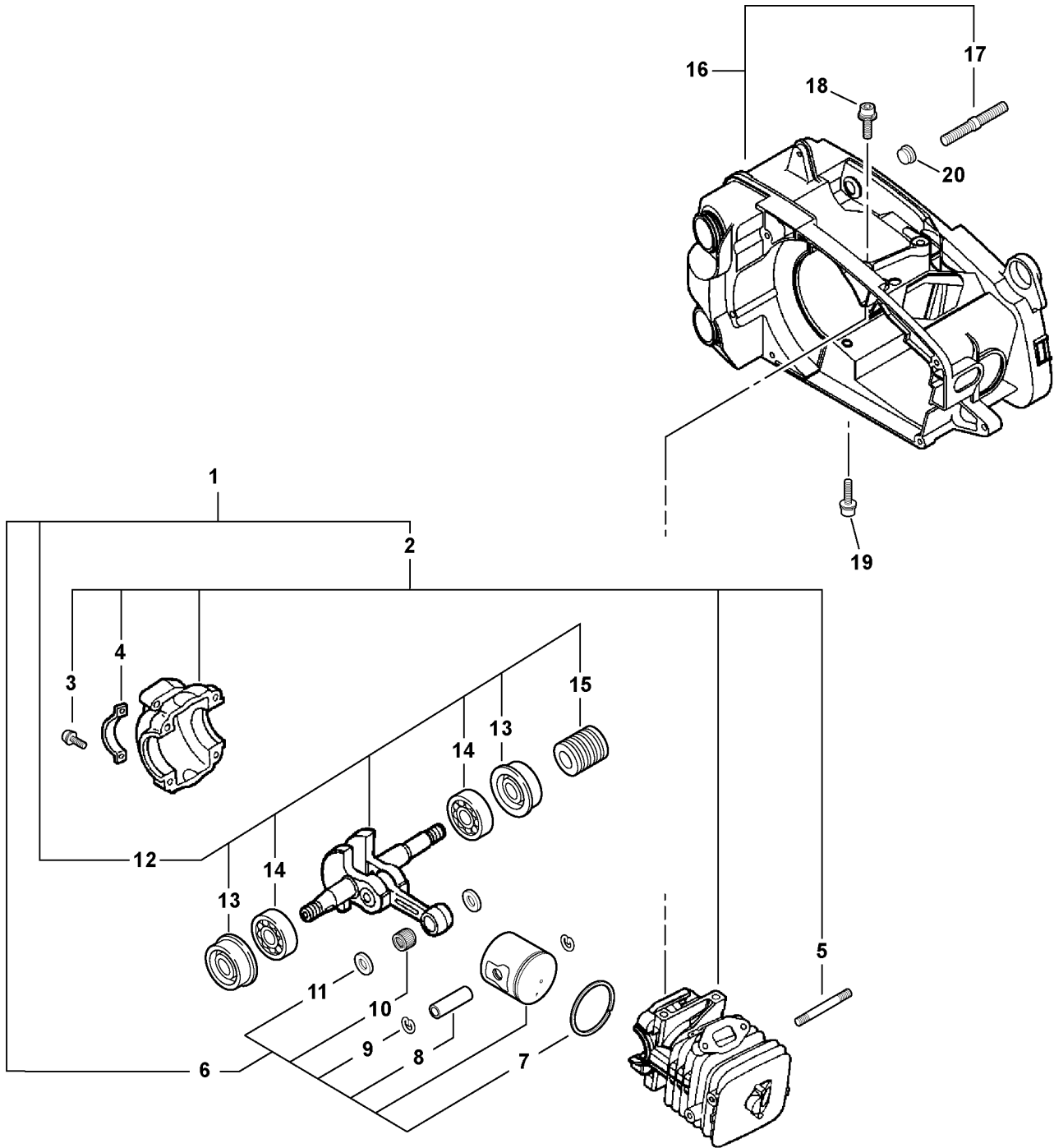


018 0004 000

| ITEM | PART NUMBER | QTY | DESCRIPTION                        | REMARKS            |
|------|-------------|-----|------------------------------------|--------------------|
| 1    | A411000242  | 1   | COIL KIT                           | INCLUDES ITEMS 2-6 |
| 2    | P003001450  | 1   | TUBE, INSULATOR                    |                    |
| 3    | 15611004920 | 1   | BUSHING                            |                    |
| 4    | P003001440  | 1   | TUBE, INSULATOR                    |                    |
| 5    | A427000020  | 1   | CAP, SPARK PLUG                    |                    |
| 6    | A426000020  | 1   | TERMINAL, SPARK PLUG CAP           |                    |
| 7    | 15901019830 | 1   | SPARK PLUG -- BPM-8Y <sup>1</sup>  |                    |
| 8    | A425000000  | 1   | SPARK PLUG -- BPMR-8Y <sup>1</sup> |                    |
| 9    | V485000590  | 1   | LEAD, IGNITION                     |                    |
| 10   | 90023805022 | 2   | SCREW 5X22                         |                    |
| 11   | 15011716430 | 2   | SPACER                             |                    |
| 12   | A409000241  | 1   | FLYWHEEL                           |                    |
| 13   | 90051500008 | 1   | FLANGE NUT                         |                    |
| 14   | 10014212330 | 1   | WOODRUFF KEY                       |                    |

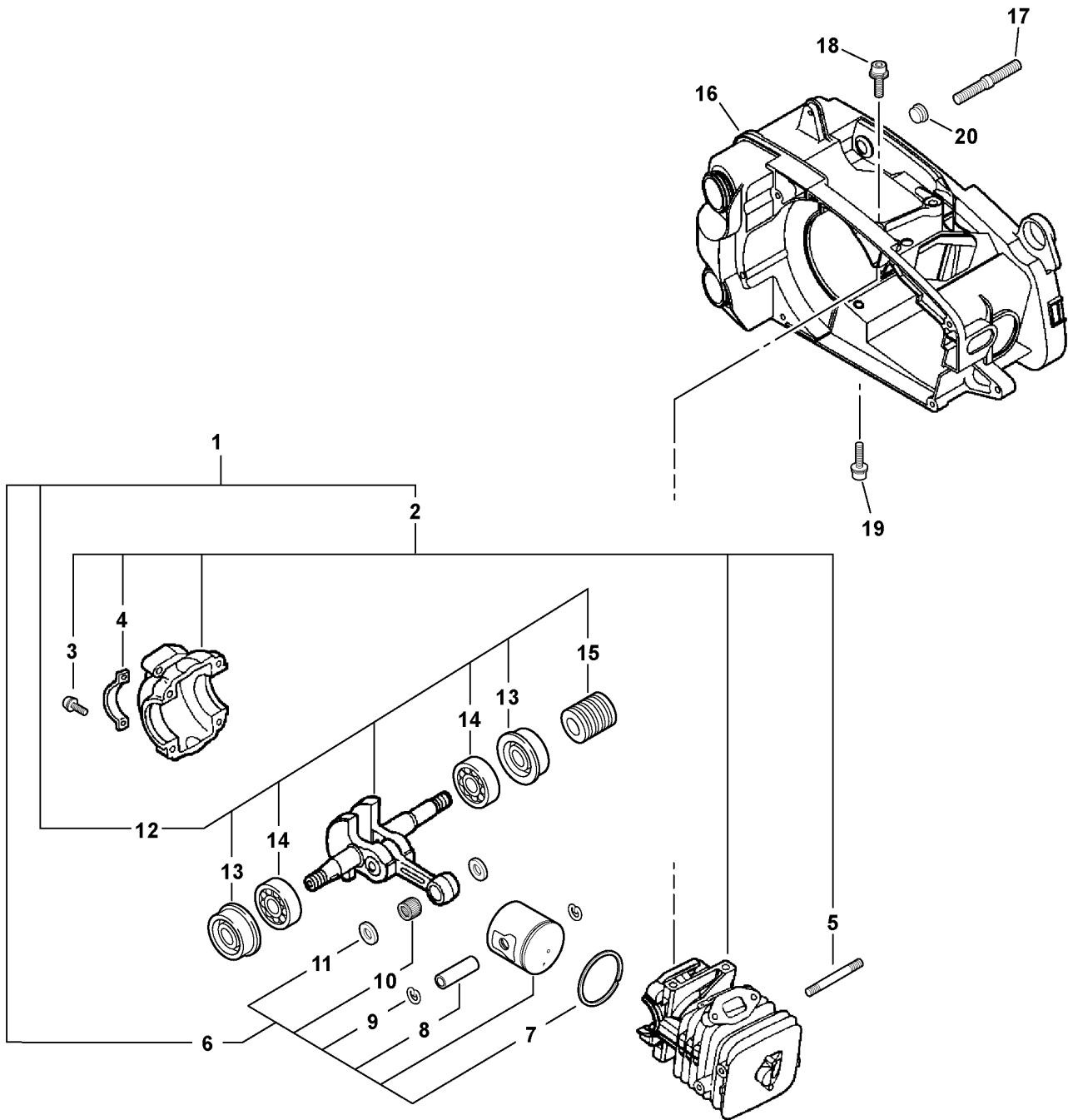
**Footnotes**

**1:** Also Included In REPOWER TUNE-UP KIT



SB1085 0000 000

| ITEM | PART NUMBER | QTY | DESCRIPTION          | REMARKS              |
|------|-------------|-----|----------------------|----------------------|
| 1    | SB1085      | 1   | SHORT BLOCK          | INCLUDES ITEMS 2-15  |
| 2    | P021008952  | 1   | CRANKCASE KIT        | INCLUDES ITEMS 3-5   |
| 3    | 9112805025  | 4   | SCREW 5X25           |                      |
| 4    | V150001670  | 2   | BRACKET, CRANKCASE   |                      |
| 5    | V223000000  | 2   | BOLT, STUD           |                      |
| 6    | P021008980  | 1   | PISTON KIT           | INCLUDES ITEMS 7-11  |
| 7    | 10001116131 | 1   | RING, PISTON         |                      |
| 8    | 10001315330 | 1   | PIN, PISTON          |                      |
| 9    | 10001504630 | 2   | CIRCLIP, PISTON PIN  |                      |
| 10   | V553000040  | 1   | BEARING, NEEDLE      |                      |
| 11   | 10001460930 | 2   | SPACER, PISTON PIN   |                      |
| 12   | P021008992  | 1   | CRANKSHAFT ASY       | INCLUDES ITEMS 13-15 |
| 13   | V505000010  | 2   | OIL SEAL             |                      |
| 14   | 9403536201  | 2   | BEARING, BALL - 6201 |                      |
| 15   | V652000010  | 1   | GEAR, WORM           |                      |
| 16   | P021008962  | 1   | COVER, ENGINE - GRAY | INCLUDES ITEM 17     |
| 17   | V224000030  | 2   | STUD, GUIDE BAR      |                      |
| 18   | 90010605020 | 2   | SCREW 5X20           |                      |
| 19   | 90010605030 | 2   | SCREW 5X30           |                      |
| 20   | 16391130130 | 1   | PLUG                 |                      |



SB1085 0000 ORG



| ITEM | PART NUMBER | QTY | DESCRIPTION            | REMARKS              |
|------|-------------|-----|------------------------|----------------------|
| 1    | SB1085      | 1   | SHORT BLOCK            | INCLUDES ITEMS 2-15  |
| 2    | P021008952  | 1   | CRANKCASE KIT          | INCLUDES ITEMS 3-5   |
| 3    | 9112805025  | 4   | SCREW 5X25             |                      |
| 4    | V150001670  | 2   | BRACKET, CRANKCASE     |                      |
| 5    | V223000000  | 2   | BOLT, STUD             |                      |
| 6    | P021008980  | 1   | PISTON KIT             | INCLUDES ITEMS 7-11  |
| 7    | 10001116131 | 1   | RING, PISTON           |                      |
| 8    | 10001315330 | 1   | PIN, PISTON            |                      |
| 9    | 10001504630 | 2   | CIRCLIP, PISTON PIN    |                      |
| 10   | V553000040  | 1   | BEARING, NEEDLE        |                      |
| 11   | 10001460930 | 2   | SPACER, PISTON PIN     |                      |
| 12   | P021008992  | 1   | CRANKSHAFT ASY         | INCLUDES ITEMS 13-15 |
| 13   | V505000010  | 2   | OIL SEAL               |                      |
| 14   | 9403536201  | 2   | BEARING, BALL - 6201   |                      |
| 15   | V652000010  | 1   | GEAR, WORM             |                      |
| 16   | A190000790  | 1   | COVER, ENGINE - ORANGE |                      |
| 17   | V224000030  | 2   | STUD, GUIDE BAR        |                      |
| 18   | 90010605020 | 2   | SCREW 5X20             |                      |
| 19   | 90010605030 | 2   | SCREW 5X30             |                      |
| 20   | 16391130130 | 1   | PLUG                   |                      |

- 1**  
**POUR EVITER LES REBONDISSEMENTS**  
1. Eviter tout contact entre le nez du guide-chaîne et un objet quelconque.  
2. Tout contact du nez peut provoquer un rebondissement. Assurez-vous de tenir le bois et entraînez de grandes blessures.  
3. Toujours employer les deux mains pour opérer le scie à chaîne.
- 2**  
**TO AVOID KICKBACK**  
1. Contact of the guide bar tip with any object should be avoided.  
2. Tip contact may cause the guide bar to move suddenly upward and backward which may cause serious injury.  
3. Always use two hands when operating chain saw.
- 3**  
**CAUTION/ATTENTION**  
Hearing protectors meeting the requirements of CSA Standard Z94.2 should be worn.  
Les protecteurs auditifs pourvués être portés doivent rencontrer les normes CSA Standard Z94.2.

**REPLACEMENT BAR AND CHAIN**  
**REPLACEMENT DU GUIDE ET DE LA CHAÎNE**

| GUIDE BAR    | CHAIN      |       |
|--------------|------------|-------|
| PART NO.     | TYPE       | LINKS |
| 52" SA063276 | OREGON SWG | 52    |
| 48" SA063272 | OREGON SWG | 52    |
| 52" SA063277 | OREGON SWG | 57    |

Note: There may be other replacement components for cutting tool bar or sprocket. For details, please refer to the bar and chain compatibility chart shown in the instruction manual.  
REMARQUE: Il peut y avoir d'autres composants de remplacement qui protègent en cas de rebondissement. Pour plus de détails, se référer à la feuille sur les combinaisons de guide et de chaîne du manuel de l'utilisateur.

**CS-330T**  
**WARNING!** Read and follow all safety precautions in the instruction manual. Failure to follow instructions could result in serious personal injury.

**ATTENTION**  
Les utilisateurs doivent lire attentivement et suivre toutes les instructions de sécurité, et être conscients de leur responsabilité personnelle en matière de sécurité. Lire attentivement et suivre toutes les instructions de sécurité. L'absence de lecture et de suivi des instructions de sécurité peut entraîner de graves blessures personnelles. Lire attentivement et suivre toutes les instructions de sécurité.

**WARNING**  
Les utilisateurs doivent lire attentivement et suivre toutes les instructions de sécurité, et être conscients de leur responsabilité personnelle en matière de sécurité. Lire attentivement et suivre toutes les instructions de sécurité. L'absence de lecture et de suivi des instructions de sécurité peut entraîner de graves blessures personnelles. Lire attentivement et suivre toutes les instructions de sécurité.

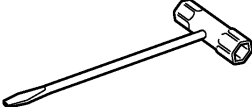
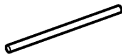

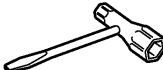







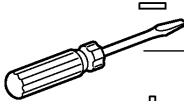
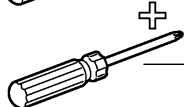



100 0017 CAN

**CS-330T Chain Saw**

**Labels**

| ITEM | PART NUMBER | QTY | DESCRIPTION                | REMARKS |
|------|-------------|-----|----------------------------|---------|
| 1    | X505000460  | 1   | LABEL - KICK BACK (FRENCH) |         |
| 2    | X505000450  | 1   | LABEL, KICK BACK           |         |
| 3    | 89017639431 | 1   | LABEL - CAUTION/ATTENTION  |         |
| 4    | X524001491  | 1   | LABEL, BAR & CHAIN         |         |
| 5    | X503006530  | 1   | LABEL - MODEL -- CS-330T   |         |
| 6    | X505002070  | 1   | LABEL, WARNING             |         |
| 7    | X505002310  | 1   | LABEL - CAUTION -- HOT     |         |
| 8    | X505001730  | 1   | LABEL, ATTENTION           |         |
| 9    | X503006710  | 1   | LABEL - MODEL -- CS-330T   |         |
| 10   | X524001450  | 1   | LABEL - STOP               |         |
| 11   | X502000620  | 1   | LABEL - ECHO               |         |

|   |                                    |   |                                    |
|---|------------------------------------|---|------------------------------------|
|    | <u>1 - 89541010630 -- 17X19mm</u>  |   | <u>12 - 89751801131 -- 5X120mm</u> |
|   | <u>2 - X602000020 -- 17X19mm</u>   |   | <u>13 - 89541220960 -- 10mm</u>    |
|    | <u>3 - 89541039131 -- 10X19mm</u>  |   | <u>14 - 89561203430 -- 3mm</u>     |
|   | <u>4 - 89541006960 -- 13X19mm</u>  |   | <u>15 - 89561000130 -- 4mm</u>     |
|    | <u>5 - X602000031 -- 17X14.5mm</u> |   | <u>16 - 89561100330 -- 5mm</u>     |
|    | <u>6 - 89511200330 -- 8X10mm</u>   |   |                                    |
|   | <u>7 - 89512220960 -- 17X19mm</u>  |  | <u>17 - X605000060 -- T27</u>      |
|  | <u>8 - 89501505260 -- 10mm</u>     |   |                                    |
|  | <u>9 - 89581100130 -- 125mm</u>    |   |                                    |
|  | <u>10 - 89581203930 -- 50mm</u>    |   |                                    |
|  | <u>11 - 89757005560</u>            |   |                                    |

Consult Your Owners Manual - Consulte a sus dueños manuales

200 0001 000

| ITEM | PART NUMBER | QTY | DESCRIPTION               | REMARKS         |
|------|-------------|-----|---------------------------|-----------------|
| 1    | 89541010630 | 1   | SOCKET WRENCH/SCREWDRIVER | 17X19mm         |
| 2    | X602000020  | 1   | SOCKET WRENCH/SCREWDRIVER | 17X19mm         |
| 3    | 89541039131 | 1   | SOCKET WRENCH/SCREWDRIVER | 10X19mm         |
| 4    | 89541006960 | 1   | SOCKET WRENCH/SCREWDRIVER | 13X19mm         |
| 5    | X602000031  | 1   | SOCKET WRENCH             | 17X14.5mm       |
| 6    | 89511200330 | 1   | OPEN END WRENCH           | 8X10mm          |
| 7    | 89512220960 | 1   | OPEN END WRENCH           | 17X19mm         |
| 8    | 89501505260 | 1   | OPEN END WRENCH           | 10mm            |
| 9    | 89581100130 | 1   | SCREWDRIVER               | 125mm SLOT HEAD |
| 10   | 89581203930 | 1   | SCREWDRIVER               | 50mm CROSS HEAD |
| 11   | 89757005560 | 1   | CHUCK KEY                 |                 |
| 12   | 89751801131 | 1   | LOCKING ROD               | 5X120mm         |
| 13   | 89541220960 | 1   | HEX BAR                   | 10mm            |
| 14   | 89561203430 | 1   | HEX KEY                   | 3mm             |
| 15   | 89561000130 | 1   | HEX KEY                   | 4mm             |
| 16   | 89561100330 | 1   | HEX KEY                   | 5mm             |
| 17   | X605000060  | 1   | TORX KEY                  | T27             |



# Part Number Index

Click The Page Number After Any Part Number To View The Diagram Containing That Part.

| Part Number | Page       | Part Number | Page       | Part Number | Page       |
|-------------|------------|-------------|------------|-------------|------------|
| -----       | 5, 7       | 90025304016 | 9          | P003000240  | 7          |
| 10001116131 | 31, 33     | 90025305020 | 11, 13, 19 | P003000250  | 7          |
| 10001315330 | 31, 33     | 90025604016 | 19         | P003000380  | 7          |
| 10001460930 | 31, 33     | 90033030260 | 11, 13     | P003001140  | 7          |
| 10001504630 | 31, 33     | 90050000005 | 9          | P003001300  | 7          |
| 10014212330 | 27, 29     | 90051500008 | 27, 29     | P003001380  | 7          |
| 10091060030 | 19         | 90056250005 | 11, 13     | P003001390  | 7          |
| 10091532530 | 19         | 90060300005 | 21, 23     | P003001400  | 7          |
| 10091815130 | 19         | 90072000018 | 25         | P003001410  | 7          |
| 10092139130 | 19         | 90072400004 | 25         | P003001440  | 27, 29     |
| 12311003930 | 7          | 9112805025  | 31, 33     | P003001450  | 27, 29     |
| 12311337530 | 7          | 9131805032  | 11, 13     | P021001980  | 25         |
| 12311403930 | 7          | 9136704012  | 9          | P021005581  | 25         |
| 12311405260 | 7          | 9148104035  | 19         | P021005591  | 25         |
| 12311610530 | 7          | 91VG52CQ    | 15         | P021005810  | 17         |
| 12312052131 | 7          | 9228005000  | 9          | P021008952  | 31, 33     |
| 12312203660 | 7          | 9305030098  | 11, 13     | P021008962  | 31         |
| 12312715030 | 7          | 9403536201  | 31, 33     | P021008980  | 31, 33     |
| 12313002960 | 7          | A021001110  | 7          | P021008992  | 31, 33     |
| 12313304260 | 7          | A051000921  | 21         | P021009003  | 19         |
| 12313903930 | 7          | A051001330  | 23         | P021013330  | 27         |
| 12314926030 | 7          | A056000070  | 17         | P021016470  | 13         |
| 13002033330 | 19         | A127000130  | 19         | P022005890  | 21, 23     |
| 13011005260 | 25         | A127000220  | 19         | P022005900  | 21, 23     |
| 13120507320 | 25         | A172000510  | 21, 23     | P022010440  | 21, 23     |
| 13201309820 | 25         | A190000790  | 33         | P022010451  | 21, 23     |
| 13201326630 | 25         | A202000051  | 19         | SB1085      | 31, 33     |
| 13211501461 | 25         | A204000072  | 5          | V104000680  | 9          |
| 14564213930 | 9          | A226000291  | 5          | V137000000  | 25         |
| 14A0ED3752  | 15         | A232000290  | 5          | V150001670  | 31, 33     |
| 15011716430 | 27, 29     | A235000040  | 5          | V186000020  | 25         |
| 15611004920 | 27, 29     | A239000000  | 19         | V202000020  | 19         |
| 15901019830 | 27, 29     | A240000010  | 19         | V202000040  | 21, 23     |
| 16201055930 | 19         | A253000043  | 19         | V203000041  | 11, 13     |
| 16391130130 | 31, 33     | A300000551  | 9          | V223000000  | 31, 33     |
| 17500539132 | 17         | A301000020  | 9          | V224000030  | 31, 33     |
| 17501200831 | 17         | A310000030  | 9          | V351000000  | 19         |
| 17501439131 | 17         | A313000710  | 9          | V352000020  | 19         |
| 17723435430 | 21, 23     | A313000721  | 9          | V353000060  | 11, 13     |
| 17723644330 | 21, 23     | A320000322  | 9          | V355000140  | 11, 13     |
| 17724704630 | 21, 23     | A320000490  | 9          | V359000060  | 19         |
| 2894901     | 15         | A356000030  | 25         | V376000450  | 11, 13     |
| 43301903933 | 11, 13     | A365000050  | 25         | V376000740  | 9          |
| 43302635430 | 11, 13     | A409000241  | 29         | V400000021  | 19         |
| 43311635430 | 11, 13     | A411000242  | 29         | V450000070  | 11, 13     |
| 43316739130 | 11, 13     | A425000000  | 27, 29     | V451000470  | 17         |
| 43611413930 | 25         | A426000020  | 27, 29     | V452000010  | 19         |
| 43620502832 | 25         | A427000020  | 27, 29     | V452000110  | 11, 13     |
| 89017639431 | 35         | A514000020  | 21, 23     | V470000481  | 19         |
| 89501505260 | 37         | A551000010  | 17         | V470000690  | 25         |
| 89511200330 | 37         | A552000020  | 17         | V470000710  | 25         |
| 89512220960 | 37         | C022000000  | 25         | V471000760  | 25         |
| 89541006960 | 37         | C032000261  | 11         | V485000340  | 19         |
| 89541010630 | 37         | C300000291  | 11         | V485000590  | 27, 29     |
| 89541039131 | 37         | C300000420  | 13         | V486000010  | 19         |
| 89541220960 | 37         | C304000000  | 11, 13     | V505000010  | 31, 33     |
| 89561000130 | 37         | C305000080  | 11, 13     | V553000040  | 31, 33     |
| 89561100330 | 37         | C309000030  | 11, 13     | V651000001  | 11, 13     |
| 89561203430 | 37         | C320000090  | 11         | V651000011  | 11, 13     |
| 89581100130 | 37         | C320000190  | 13         | V652000010  | 25, 31, 33 |
| 89581203930 | 37         | C328000030  | 11, 13     | X502000620  | 35         |
| 89751801131 | 37         | C334000070  | 11, 13     | X503006530  | 35         |
| 89757005560 | 37         | C345000191  | 11         | X503006710  | 35         |
| 90010505014 | 21, 23     | C345000310  | 13         | X505000450  | 35         |
| 90010605020 | 31, 33     | C400000371  | 19         | X505000460  | 35         |
| 90010605030 | 31, 33     | C450000010  | 19         | X505001730  | 35         |
| 90016204025 | 19         | C454000070  | 19         | X505002070  | 35         |
| 90023804012 | 25         | C460000002  | 19         | X505002310  | 35         |
| 90023805012 | 19         | C626000040  | 19         | X524001450  | 35         |
| 90023805022 | 27, 29     | C646000050  | 19         | X524001491  | 35         |
| 90023805050 | 5          | P003000010  | 7          | X602000020  | 37         |
| 90025304010 | 11, 13     | P003000140  | 7          | X602000031  | 37         |
| 90025304012 | 11, 13, 19 | P003000160  | 7          | X605000060  | 37         |



# Part Description Index

Click The Page Number After Any Part Description To View The Diagram Containing That Part.

|   |   |   |
|---|---|---|
| <p><b>A</b></p> <p>ADAPTOR.....19<br/>                 AUTO-OILER.....25<br/>                 AUTO-OILER ASY.....25</p> <p><b>B</b></p> <p>BAND, BRAKE.....11, 13<br/>                 BEARING, BALL - 6201.....31, 33<br/>                 BEARING, NEEDLE.....17, 31, 33<br/>                 BELLOWS, INTAKE.....19<br/>                 BODY, CARBURETOR.....7<br/>                 BOLT.....19<br/>                 BOLT 5.....11, 13<br/>                 BOLT, STUD.....31, 33<br/>                 BRACKET, CRANKCASE.....31, 33<br/>                 BRACKET, HARNESS.....19<br/>                 BUMPER, SPIKED.....11, 13<br/>                 BUSHING.....27, 29</p> <p><b>C</b></p> <p>CAP.....19<br/>                 CAP ASY - BLACK.....25<br/>                 CAP ASY - ORANGE.....25<br/>                 CAP, MIXTURE LIMITER.....7<br/>                 CAP, SPARK PLUG.....27, 29<br/>                 CARBURETOR.....5<br/>                 CARBURETOR -- WT-739.....7<br/>                 CATCHER, CHAIN.....11, 13<br/>                 CHAIN BRAKE ASY.....11, 13<br/>                 CHUCK KEY.....37<br/>                 CIRCLIP.....7<br/>                 CIRCLIP, PISTON PIN.....31, 33<br/>                 CLIP.....25<br/>                 CLUTCH ASY.....17<br/>                 CLUTCH SHOE SET.....17<br/>                 COIL &amp; FLYWHEEL KIT.....27<br/>                 COIL KIT.....29<br/>                 COLLAR.....11, 13, 19<br/>                 CONNECTOR.....25<br/>                 CONNECTOR, BRAKE.....11, 13<br/>                 CONNETOR, CAP.....25<br/>                 COVER, BRAKE - GRAY.....11<br/>                 COVER, BRAKE - ORANGE.....13<br/>                 COVER, DUST - GRAY.....19<br/>                 COVER, DUST - ORANGE.....19<br/>                 COVER, ENGINE - GRAY.....31<br/>                 COVER, ENGINE - ORANGE.....33<br/>                 COVER, FAN.....21, 23<br/>                 COVER, FUEL PUMP.....7<br/>                 COVER, METERING DIAPHRAGM.....7<br/>                 COVER, MUFFLER - GRAY.....9<br/>                 COVER, MUFFLER - ORANGE.....9<br/>                 CRANKCASE KIT.....31, 33<br/>                 CRANKSHAFT ASY.....31, 33<br/>                 CUSHION.....19</p> <p><b>D</b></p> <p>DIAPHRAGM, FUEL PUMP.....7<br/>                 DIAPHRAGM, METERING.....7<br/>                 DRUM, CLUTCH.....17<br/>                 DRUM, STARTER.....21, 23</p> | <p><b>E</b></p> <p>EYE PLATE.....9</p> <p><b>F</b></p> <p>FILTER, AIR.....5<br/>                 FILTER, FUEL.....25<br/>                 FILTER, OIL.....25<br/>                 FLANGE NUT.....11, 13, 27, 29<br/>                 FLANGE NUT 5.....11, 13<br/>                 FLYWHEEL.....29<br/>                 FUEL PIPE ASY.....25</p> <p><b>G</b></p> <p>GASKET, EXHAUST.....9<br/>                 GASKET, FUEL PUMP.....7<br/>                 GASKET, METERING DIAPHRAGM.....7<br/>                 GASKET/DIAPHRAGM KIT.....7<br/>                 GEAR, BEVEL.....11, 13<br/>                 GEAR, WORM.....25, 31, 33<br/>                 GRIP, STARTER.....21, 23<br/>                 GROMMET.....25<br/>                 GUARD, SPROCKET - GRAY.....11<br/>                 GUARD, SPROCKET - ORANGE.....13<br/>                 GUIDE BAR - 14" -- Pro 91.....15<br/>                 GUIDE, EXHAUST.....9</p> <p><b>H</b></p> <p>HANDLE, FRONT.....19<br/>                 HEX BAR.....37<br/>                 HEX KEY.....37<br/>                 HUB, CLUTCH.....17</p> <p><b>K</b></p> <p>KICK GUARD KIT.....15<br/>                 KNOB, AIR CLEANER LID.....5</p> <p><b>L</b></p> <p>LABEL - CAUTION -- HOT.....35<br/>                 LABEL - CAUTION/ATTENTION.....35<br/>                 LABEL - ECHO.....35<br/>                 LABEL - KICK BACK (FRENCH).....35<br/>                 LABEL - MODEL -- CS-330T.....35<br/>                 LABEL - STOP.....35<br/>                 LABEL, ATTENTION.....35<br/>                 LABEL, BAR &amp; CHAIN.....35<br/>                 LABEL, KICK BACK.....35<br/>                 LABEL, WARNING.....35<br/>                 LEAD, GROUND.....19<br/>                 LEAD, IGNITION.....19, 27, 29<br/>                 LEVER, BRAKE - BLACK.....13<br/>                 LEVER, BRAKE - ORANGE.....11<br/>                 LEVER, CHOKE.....19<br/>                 LEVER, FAST IDLE.....7<br/>                 LEVER, METERING.....7<br/>                 LEVER, THROTTLE.....7<br/>                 LID, AIR CLEANER.....5<br/>                 LOCKING ROD.....37<br/>                 LOCKOUT, THROTTLE.....19</p> <p><b>M</b></p> <p>MOUNT, AIR FILTER.....5<br/>                 MUFFLER.....9</p> | <p><b>N</b></p> <p>NEEDLE, ADJUSTMENT.....7<br/>                 NUT.....9, 19</p> <p><b>O</b></p> <p>OIL SEAL.....31, 33<br/>                 OPEN END WRENCH.....37<br/>                 O-RING.....25</p> <p><b>P</b></p> <p>PAWL.....21, 23<br/>                 PIN, METERING LEVER.....7<br/>                 PIN, PISTON.....31, 33<br/>                 PIPE.....19<br/>                 PIPE, FUEL.....25<br/>                 PIPE, IMPULSE - 3X5X185mm.....25<br/>                 PIPE, OIL - 3X6X90mm.....25<br/>                 PISTON KIT.....31, 33<br/>                 PLATE, CLUTCH.....17<br/>                 PLATE, SPROCKET GUARD.....11, 13<br/>                 PLUG.....31, 33<br/>                 PLUG, WELCH.....7</p> <p><b>R</b></p> <p>REAR HANDLE SET.....19<br/>                 REPAIR KIT.....7<br/>                 REWIND SPRING KIT.....21, 23<br/>                 RING, HARNESS.....19<br/>                 RING, PISTON.....31, 33<br/>                 ROD, CHOKE.....19<br/>                 ROD, THROTTLE.....19<br/>                 ROLLER.....11, 13<br/>                 ROPE, STARTER - 3X920mm.....21, 23</p> <p><b>S</b></p> <p>SAWING CHAIN - 14" -- XtraGUARD.....15<br/>                 SCREEN.....9<br/>                 SCREEN, INLET.....7<br/>                 SCREW.....7, 19, 21, 23<br/>                 SCREW 4X10.....11, 13<br/>                 SCREW 4X12.....9, 25<br/>                 SCREW 4X12 - TAPPING.....11, 13, 19<br/>                 SCREW 4X16.....19<br/>                 SCREW 4X16 - TAPPING.....9<br/>                 SCREW 4X25.....19<br/>                 SCREW 4X35 - TAPPING.....19<br/>                 SCREW 5X12.....19<br/>                 SCREW 5X14.....21, 23<br/>                 SCREW 5X20.....31, 33<br/>                 SCREW 5X20 - TAPPING.....11, 13, 19<br/>                 SCREW 5X22.....27, 29<br/>                 SCREW 5X25.....31, 33<br/>                 SCREW 5X30.....31, 33<br/>                 SCREW 5X32.....11, 13<br/>                 SCREW 5X50.....5<br/>                 SCREW, IDLE ADJUST.....7<br/>                 SCREW, PUMP COVER.....7<br/>                 SCREW, THROTTLE VALVE.....7<br/>                 SCREWDRIVER.....37<br/>                 SHAFT, CHOKE.....7<br/>                 SHAFT, THROTTLE.....7<br/>                 SHORT BLOCK.....31, 33<br/>                 SOCKET WRENCH.....37</p> |
|---|---|---|



## Part Description Index (continued)

---

SOCKET WRENCH/SCREWDRIVER.....37  
SPACER.....9, 11, 13, 21, 23, 27, 29  
SPACER 8X12X9.....11, 13  
SPACER, PISTON PIN.....31, 33  
SPARK PLUG -- BPM-8Y.....27, 29  
SPARK PLUG -- BPMR-8Y.....27, 29  
SPRING.....11, 13  
SPRING, CHOKE RETURN.....7  
SPRING, CLUTCH.....17  
SPRING, IDLE ADJUST.....7  
SPRING, METERING LEVER.....7  
SPRING, RETURN.....21, 23  
SPRING, THROTTLE RETURN.....7  
SPRING, THROTTLE TRIGGER.....19  
STARTER ASY - GRAY.....21  
STARTER ASY - ORANGE.....23  
STUD, GUIDE BAR.....31, 33

### T

TENSIONER, CHAIN.....11, 13  
TERMINAL, LEAD.....19  
TERMINAL, SPARK PLUG CAP.....27, 29  
TORX KEY.....37  
TRIGGER, THROTTLE.....19  
TUBE, INSULATOR.....27, 29

### V

VALVE, CHECK.....25  
VALVE, CHOKE.....7  
VALVE, INLET NEEDLE.....7  
VALVE, THROTTLE.....7  
VENT ASY.....25

### W

WASHER.....7, 9, 17, 21, 23  
WOODRUFF KEY.....27, 29



## **NOTES**



**ECHO, INCORPORATED**

400 Oakwood Road  
Lake Zurich, IL 60047 USA

[WWW.ECHO-USA.COM](http://WWW.ECHO-USA.COM)

---