



OPTIONAL ATTACHMENTS & ACCESSORIES**Guide Bars**

12A0CD3745 Guide Bar - 12" (.050" Ga)

12A0ED3745 Guide Bar - 12" (.050" Ga)

14A0CD3752 Guide Bar - 14" (.050" Ga)

16A0CD3757 Guide Bar - 16" (.050" Ga)

16A0ED3757 Guide Bar - 16" (.050" Ga)

RePower Maintenance Kits

900100 Tune-Up Kit

PARTS CATALOG
CS-330T Chain Saw**32.6cc**

SERIAL NUMBERS

S/N: 09001001 - 09999999

ECHO, INCORPORATED

400 Oakwood Road Lake Zurich, Illinois 60047 USA

WWW.ECHO-USA.COM



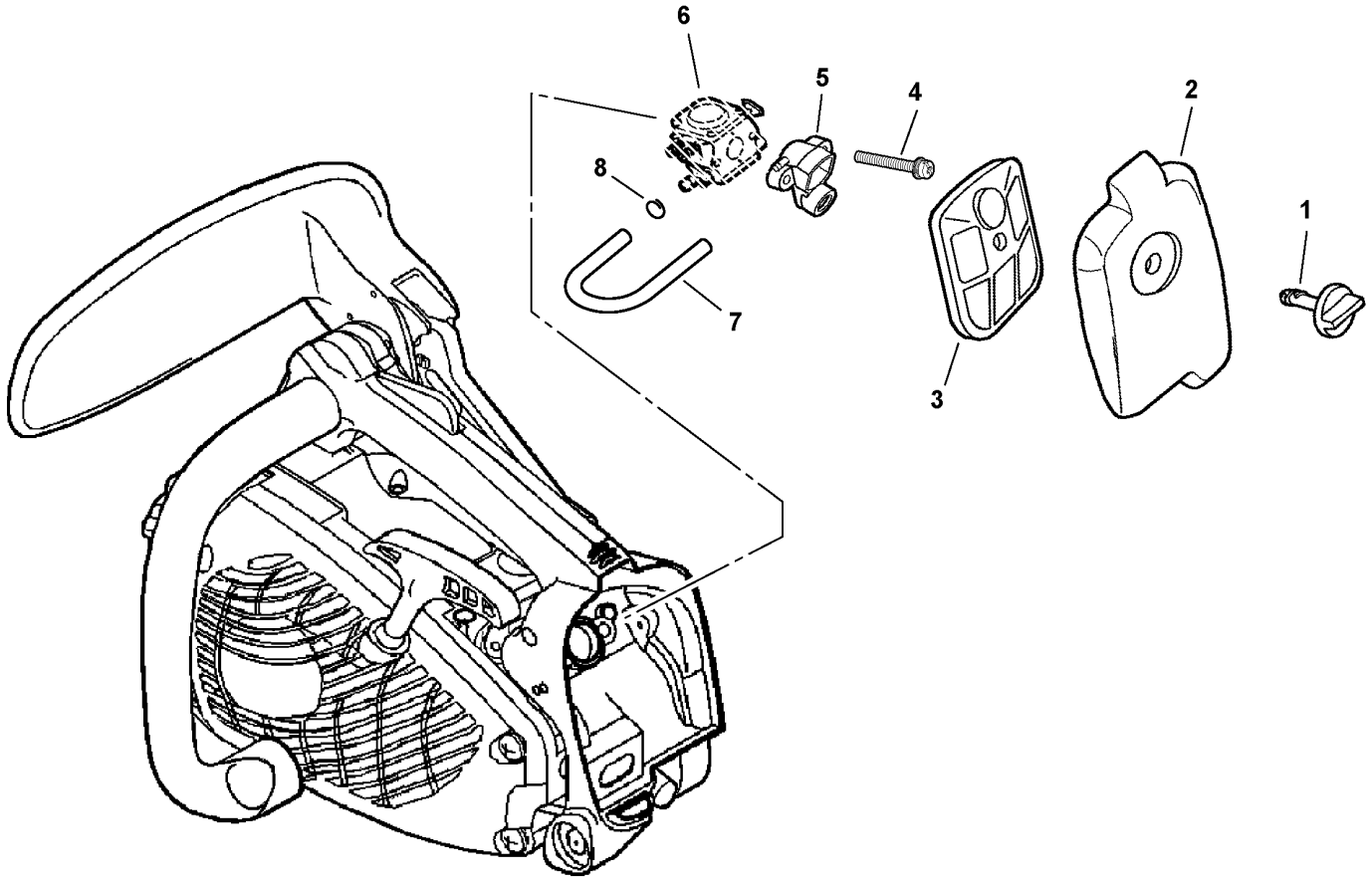
Table of Contents

Click Any Diagram Description Below To View That Diagram.

CS-330T S/N: 09001001 - 09999999

Intake S/N: 09001001 - 09008109.....	4
Intake S/N: 09008109 - 09999999.....	6
Carburetor -- WT-739.....	8
Exhaust.....	10
Chain Brake.....	12
Standard Guide Bar, Sawing Chain, Kick Guard.....	14
Clutch.....	16
Handles, Throttle Control.....	18
Starter -- GRAY MODELS.....	20
Fuel System, Auto-Oiler S/N: 09001001 - 09027979.....	22
Fuel System, Auto-Oiler S/N: 09027980 - 09999999.....	24
Ignition.....	26
Engine, Short Block -- SB1085 - GRAY MODELS.....	28
Labels.....	30
Tools.....	32
Part Number Index.....	34
Part Description Index.....	35

This Page Intentionally Left Blank

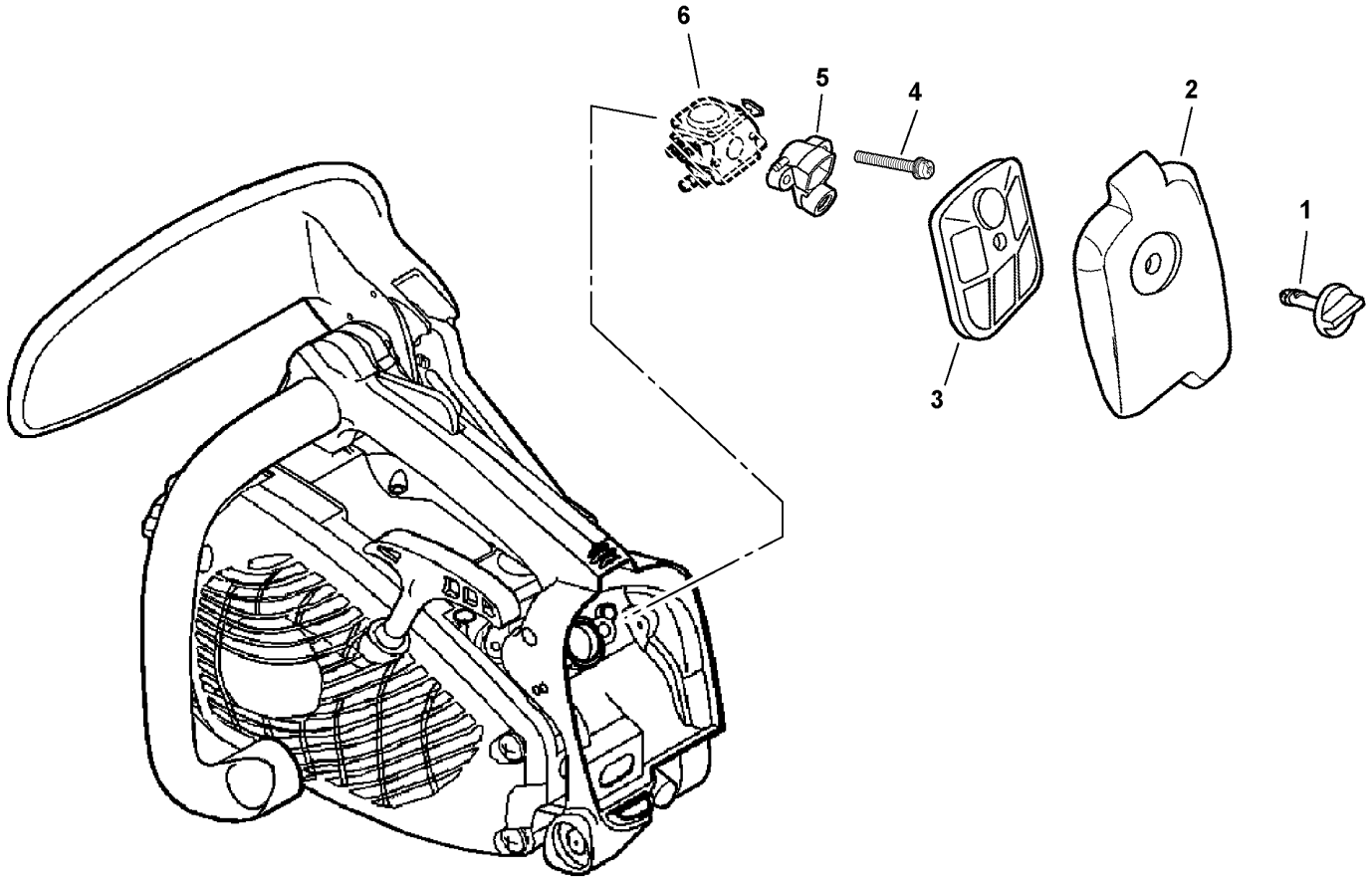


010 0006 00B

ITEM	PART NUMBER	QTY	DESCRIPTION	REMARKS
1	A235000040	1	KNOB, AIR CLEANER LID	
2	A232000290	1	LID, AIR CLEANER	
3	A226000291	1	FILTER, AIR ¹	
4	90023805050	2	SCREW 5X50	
5	A204000072	1	MOUNT, AIR FILTER	
6	-----	1	CARBURETOR ²	
7	V471001500	1	PIPE ¹	
8	13201309820	1	CLIP	

Footnotes

- 1:** Also Included In REPOWER TUNE-UP KIT
- 2:** See Carburetor Diagram For Additional Information

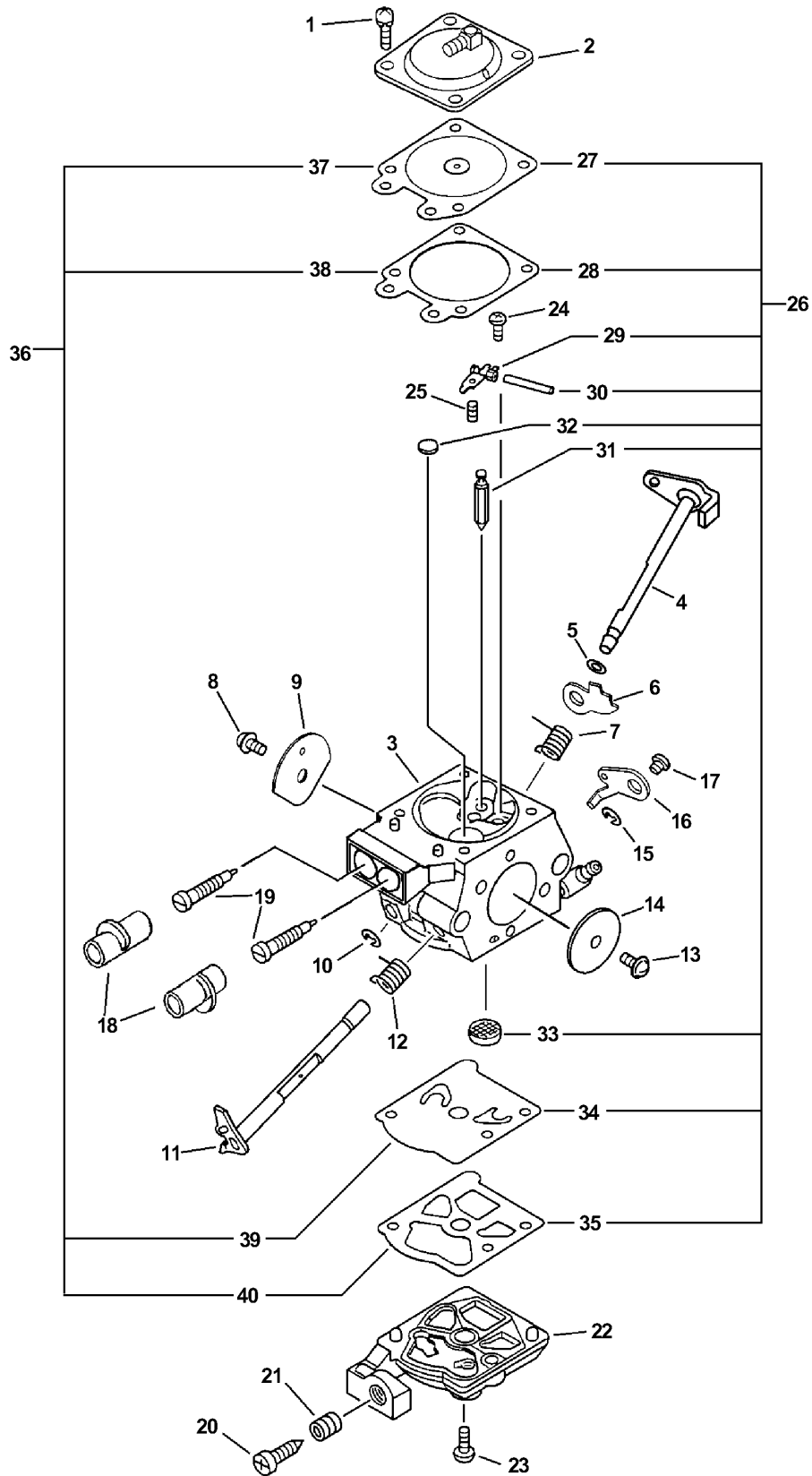


010 0006 000

ITEM	PART NUMBER	QTY	DESCRIPTION	REMARKS
1	A235000040	1	KNOB, AIR CLEANER LID	
2	A232000290	1	LID, AIR CLEANER	
3	A226000291	1	FILTER, AIR ¹	
4	90023805050	2	SCREW 5X50	
5	A204000072	1	MOUNT, AIR FILTER	
6	-----	1	CARBURETOR ²	

Footnotes

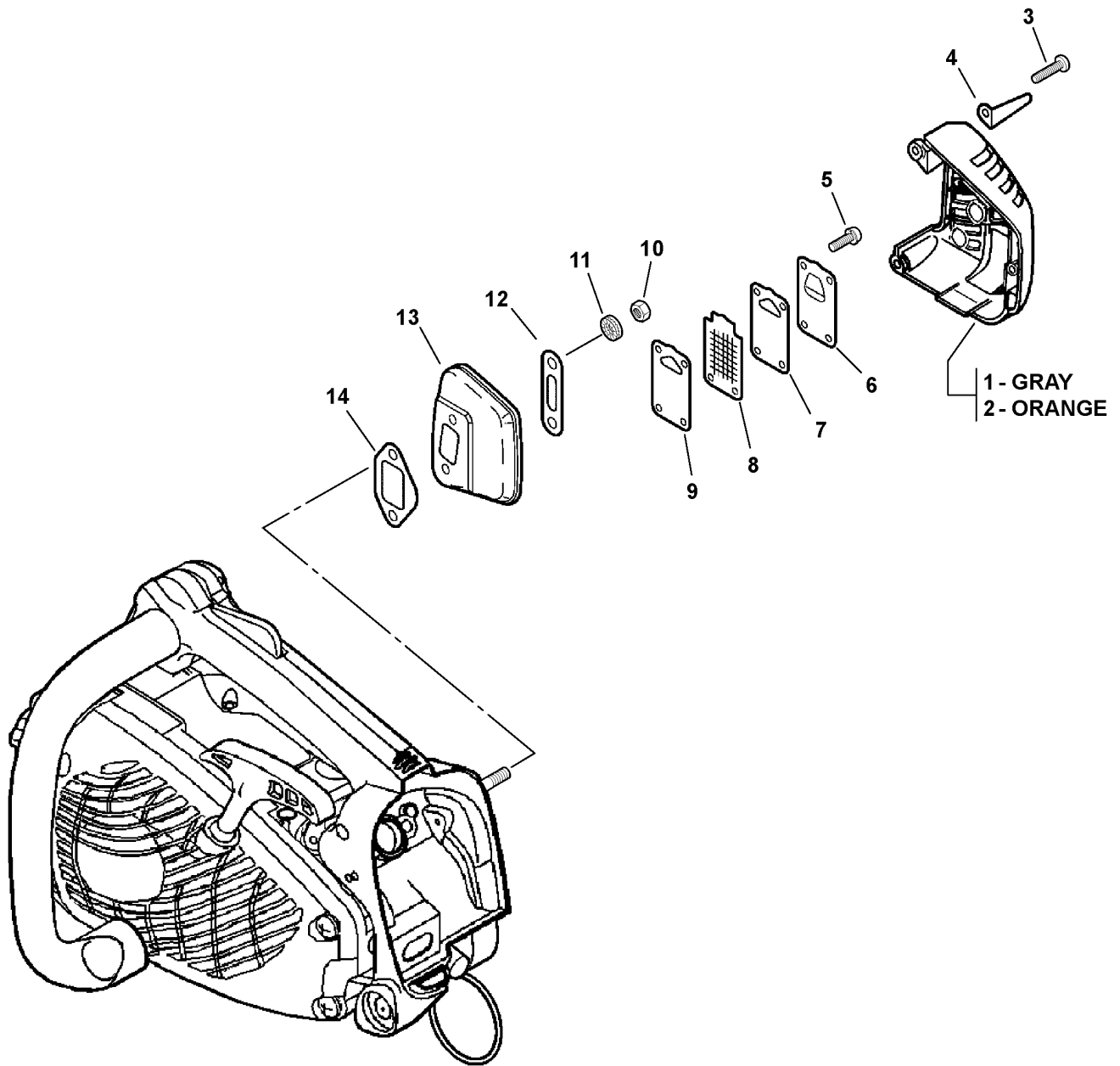
- 1:** Also Included In REPOWER TUNE-UP KIT
- 2:** See Carburetor Diagram For Additional Information



ITEM	PART NUMBER	QTY	DESCRIPTION	REMARKS
	A021001110	1	CARBURETOR -- WT-739	
1	12313002960	4	SCREW	
2	P003001390	1	COVER, METERING DIAPHRAGM	
3	-----	1	BODY, CARBURETOR ¹	
4	P003001140	1	SHAFT, CHOKE	
5	12314926030	1	WASHER	
6	P003000160	1	LEVER, FAST IDLE	
7	P003000140	1	SPRING, CHOKE RETURN	
8	12311403930	1	SCREW	
9	P003001410	1	VALVE, CHOKE	
10	12312715030	1	CIRCLIP	
11	P003001300	1	SHAFT, THROTTLE	
12	12311337530	1	SPRING, THROTTLE RETURN	
13	12311405260	1	SCREW, THROTTLE VALVE	
14	12311610530	1	VALVE, THROTTLE	
15	12312715030	1	CIRCLIP	
16	P003000380	1	LEVER, THROTTLE	
17	12311403930	1	SCREW	
18	P003000010	2	CAP, MIXTURE LIMITER	
19	12312052131	2	NEEDLE, ADJUSTMENT	
20	P003001400	1	SCREW, IDLE ADJUST	
21	12313304260	1	SPRING, IDLE ADJUST	
22	P003001380	1	COVER, FUEL PUMP	
23	12311003930	1	SCREW, PUMP COVER	
24	12313903930	1	SCREW	
25	12312203660	1	SPRING, METERING LEVER	
26	P003000250	1	REPAIR KIT	INCLUDES ITEM 27-35
27	-----	1	DIAPHRAGM, METERING	
28	-----	1	GASKET, METERING DIAPHRAGM	
29	-----	1	LEVER, METERING	
30	-----	1	PIN, METERING LEVER	
31	-----	1	VALVE, INLET NEEDLE	
32	-----	1	PLUG, WELCH	
33	-----	1	SCREEN, INLET	
34	-----	1	DIAPHRAGM, FUEL PUMP	
35	-----	1	GASKET, FUEL PUMP	
36	P003000240	1	GASKET/DIAPHRAGM KIT	INCLUDES ITEM 37-40
37	-----	1	DIAPHRAGM, METERING	
38	-----	1	GASKET, METERING DIAPHRAGM	
39	-----	1	DIAPHRAGM, FUEL PUMP	
40	-----	1	GASKET, FUEL PUMP	

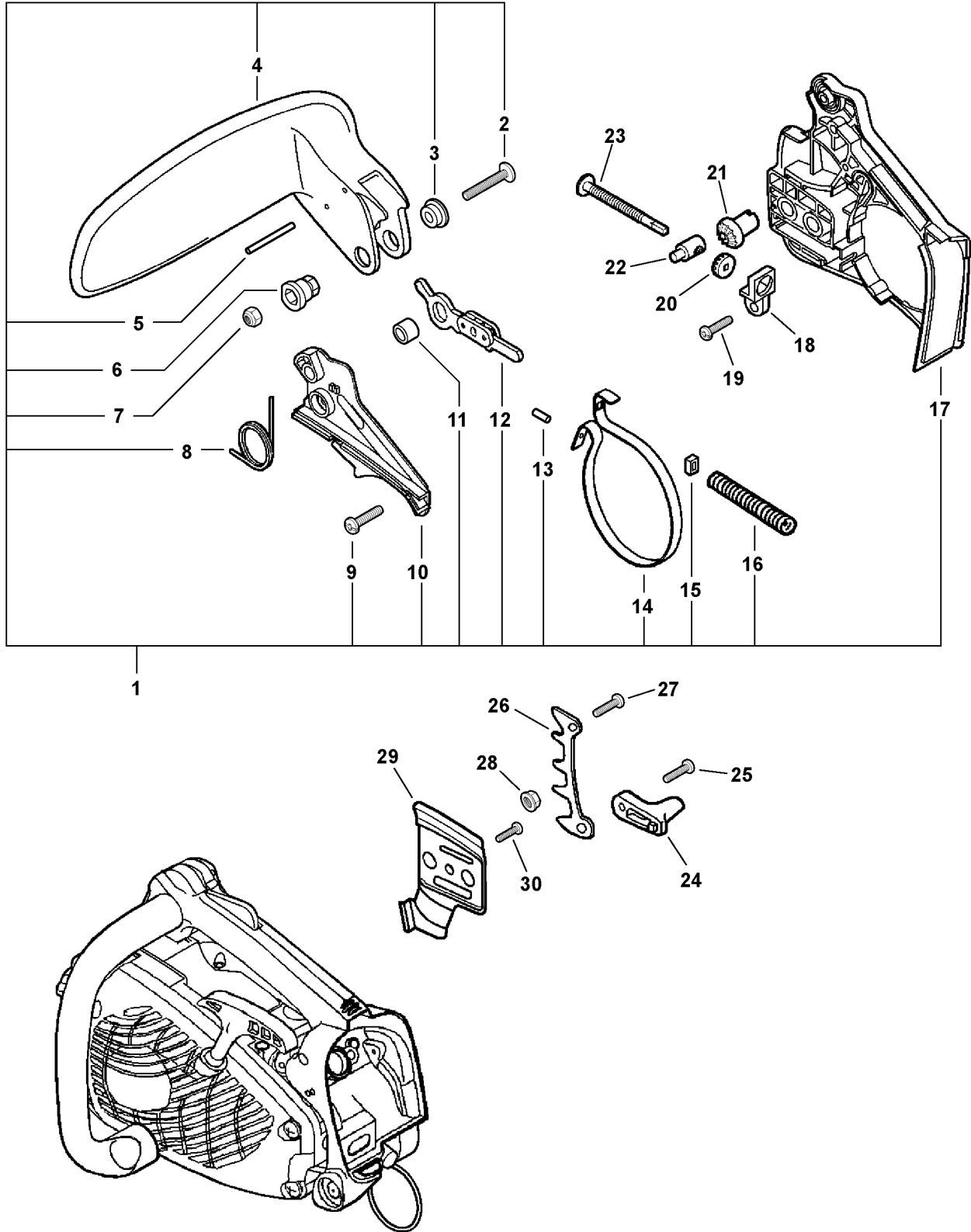
Footnotes

1: NOT AVAILABLE SEPARATELY



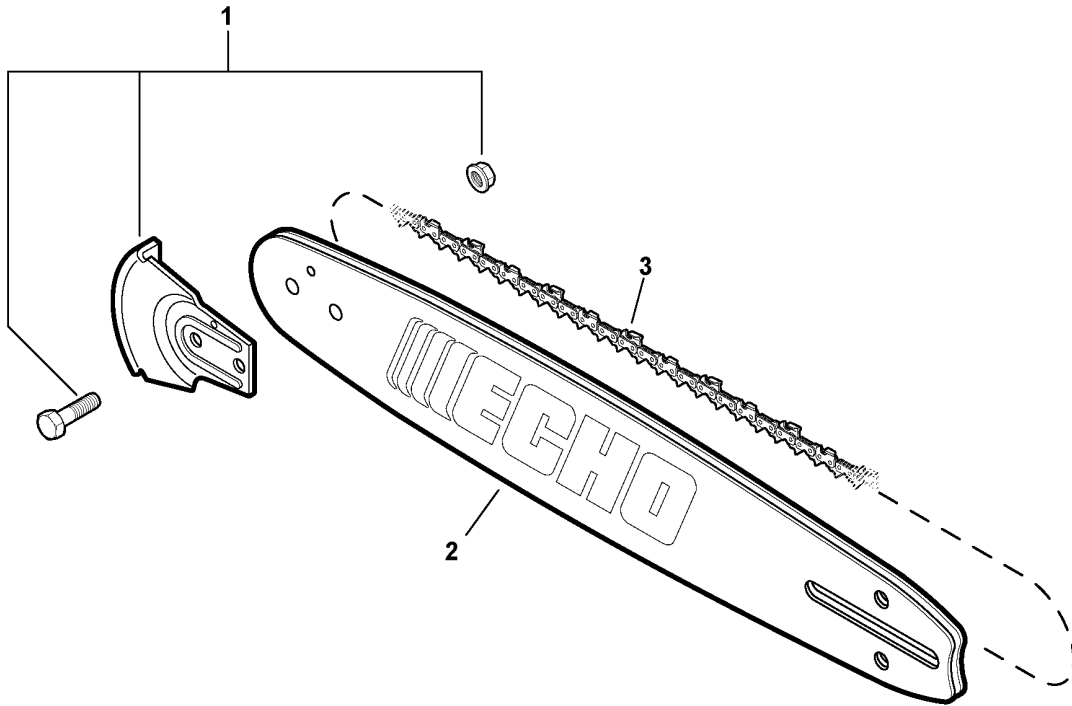
011 0005 000

ITEM	PART NUMBER	QTY	DESCRIPTION	REMARKS
1	A320000322	1	COVER, MUFFLER - GRAY	
2	A320000490	1	COVER, MUFFLER - ORANGE	
3	90025304016	3	SCREW 4X16 - TAPPING	
4	V376000740	1	SPACER	
5	9136704012	4	SCREW 4X12	
6	A313000721	1	GUIDE, EXHAUST	
7	V104000680	1	GASKET, EXHAUST	
8	A310000030	1	SCREEN	
9	A313000710	1	GUIDE, EXHAUST	
10	90050000005	2	NUT	
11	9228005000	2	WASHER	
12	14564213930	1	EYE PLATE	
13	A300000551	1	MUFFLER	
14	A301000020	1	GASKET, EXHAUST	



013 0006 000

ITEM	PART NUMBER	QTY	DESCRIPTION	REMARKS
1	C032000260	1	CHAIN BRAKE ASY	INCLUDES ITEMS 2-17
2	9131805032	1	SCREW 5X32	
3	43316739130	1	SPACER	
4	C320000090	1	LEVER, BRAKE	
5	90033030260	2	ROLLER	
6	V353000060	1	COLLAR	
7	90056250005	1	FLANGE NUT 5	
8	V452000110	1	SPRING	
9	90025304012	3	SCREW 4X12 - TAPPING	
10	C345000191	1	COVER, BRAKE	
11	43311635430	1	SPACER 8X12X9	
12	C334000070	1	CONNECTOR, BRAKE	
13	9305030098	1	ROLLER	
14	C328000030	1	BAND, BRAKE	
15	V376000450	1	SPACER	
16	V450000070	1	SPRING	
17	C300000291	1	GUARD, SPROCKET	
18	V355000140	1	COLLAR	
19	90025304012	1	SCREW 4X12 - TAPPING	
20	V651000011	1	GEAR, BEVEL	
21	V651000001	1	GEAR, BEVEL	
22	C309000030	1	TENSIONER, CHAIN	
23	V203000041	1	BOLT 5	
24	43302635430	1	CATCHER, CHAIN	
25	90025305020	1	SCREW 5X20 - TAPPING	
26	C304000000	1	BUMPER, SPIKED	
27	90025305020	1	SCREW 5X20 - TAPPING	
28	43301903933	2	FLANGE NUT	
29	C305000070	1	PLATE, SPROCKET GUARD	
30	90025304010	1	SCREW 4X10	

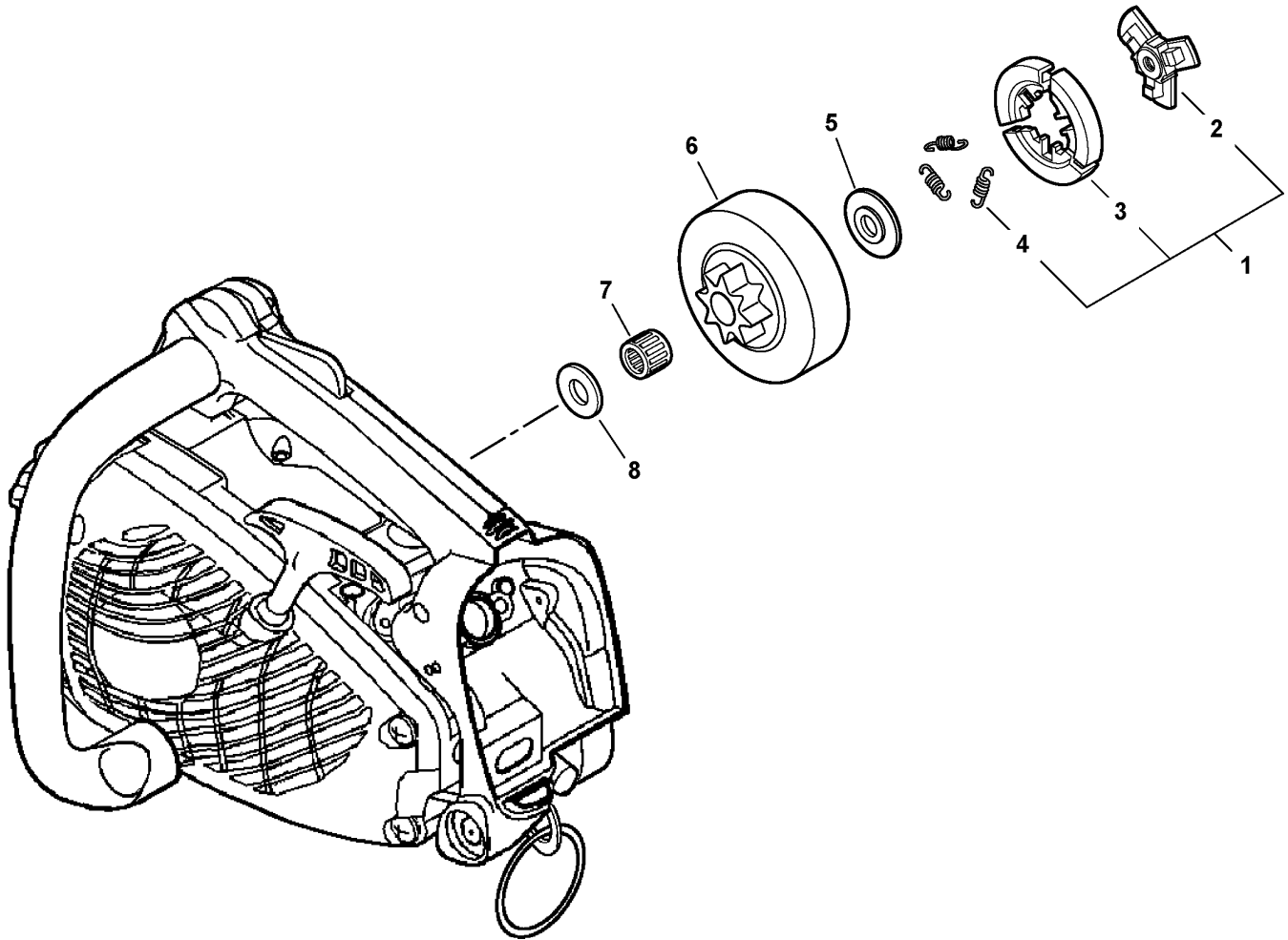


016 0004 000

ITEM	PART NUMBER	QTY	DESCRIPTION	REMARKS
1	2894901	1	KICK GUARD KIT	
2	14A0ED3752	1	GUIDE BAR - 14" -- Pro 91	GAUGE: .050"
3	91VG52CQ	1	SAWING CHAIN - 14" -- XtraGUARD ¹	GAUGE: .050" / PITCH: .375"

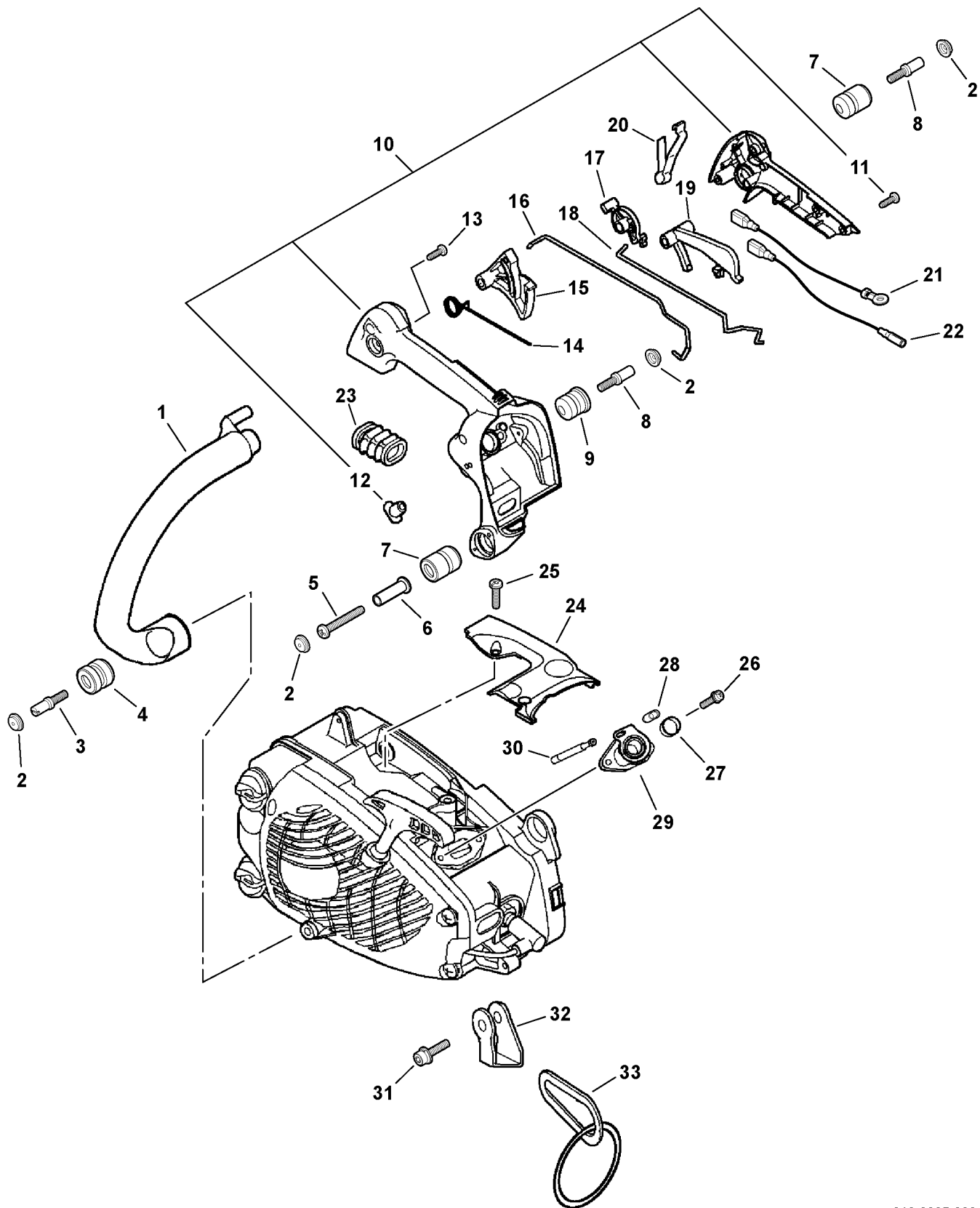
Footnotes

¹: Low Vibration



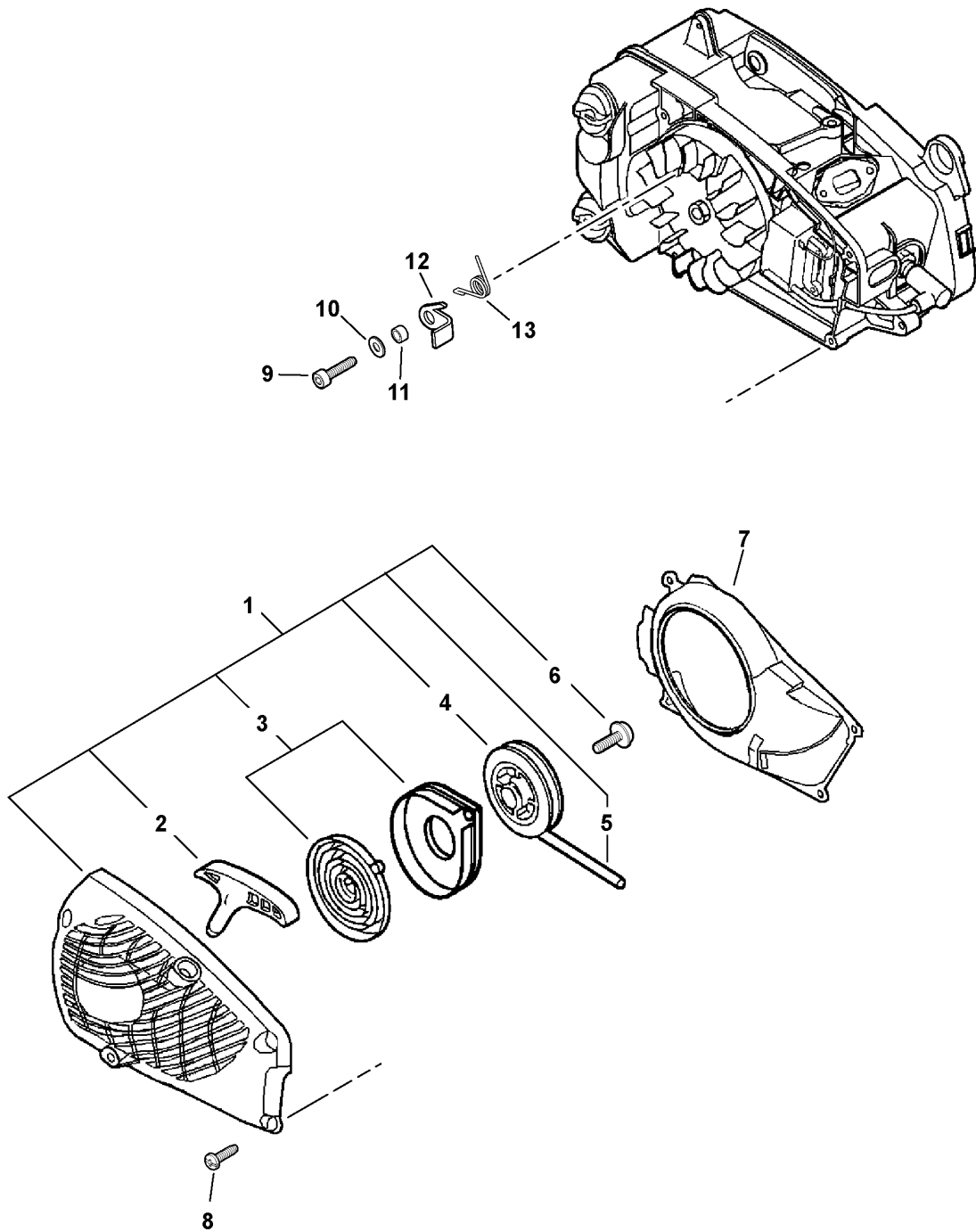
014 0004 000

ITEM	PART NUMBER	QTY	DESCRIPTION	REMARKS
1	A056000070	1	CLUTCH ASY	INCLUDES ITEMS 2-4
2	A552000020	1	HUB, CLUTCH	
3	P021005810	1	CLUTCH SHOE SET	
4	V451000470	3	SPRING, CLUTCH	
5	A551000010	1	PLATE, CLUTCH	
6	17500539132	1	DRUM, CLUTCH	
7	17501200831	1	BEARING, NEEDLE	
8	17501439131	1	WASHER	



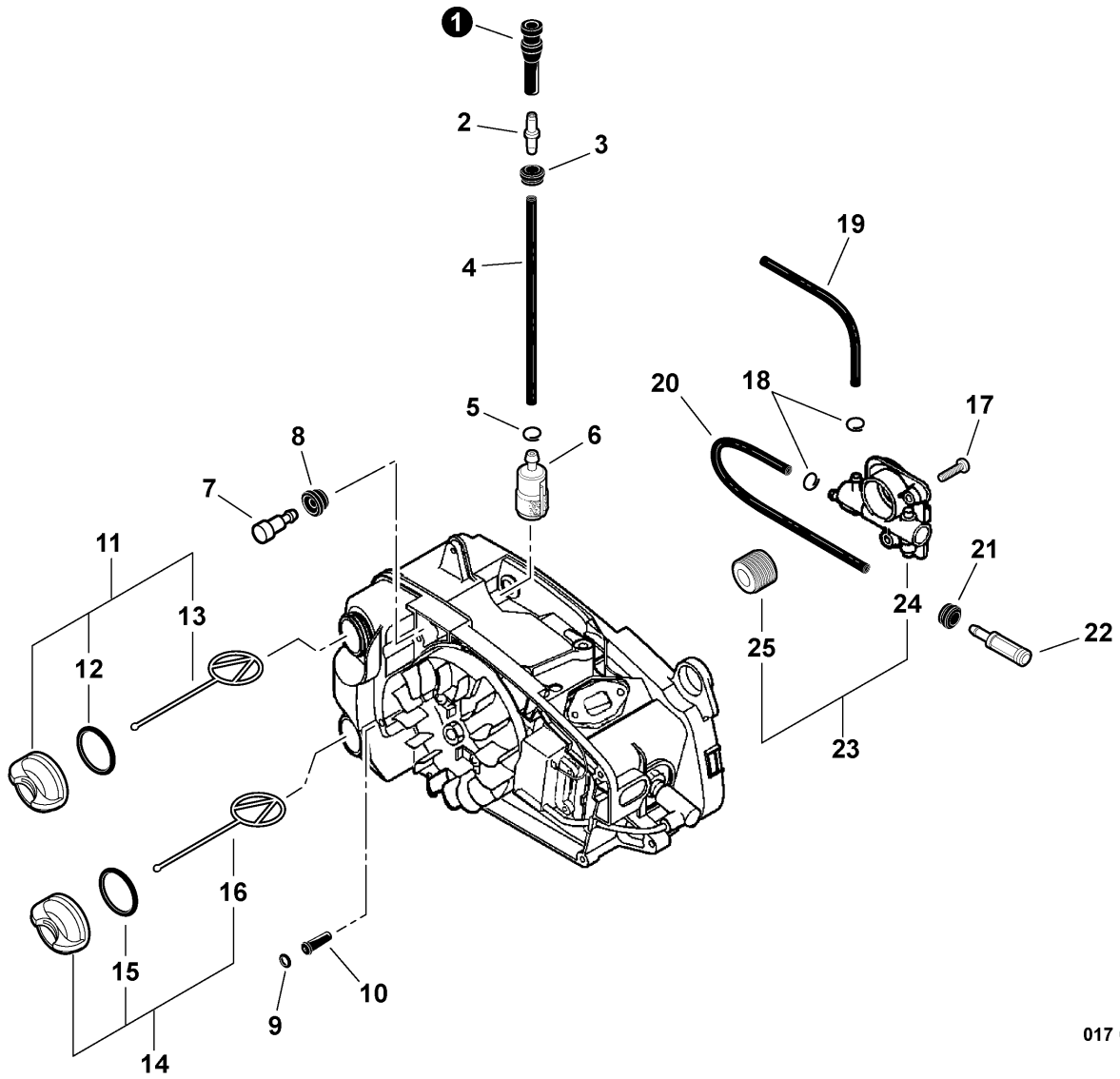
012 0005 000

ITEM	PART NUMBER	QTY	DESCRIPTION	REMARKS
1	C400000370	1	HANDLE, FRONT	
2	10091815130	4	CAP	
3	10091532530	1	SCREW	
4	10091060030	1	CUSHION	
5	9148104035	1	SCREW - TAPPING	
6	V352000020	1	COLLAR	
7	V400000021	2	CUSHION	
8	V202000020	2	BOLT	
9	10092139130	1	CUSHION	
10	P021009001	1	REAR HANDLE SET	INCLUDES ITEMS 11-12
11	90025604016	4	SCREW 4X16	
12	13002033330	2	NUT	
13	90025305020	2	SCREW 5X20 - TAPPING	
14	V452000010	1	SPRING, THROTTLE TRIGGER	
15	C450000010	1	TRIGGER, THROTTLE	
16	C454000070	1	ROD, THROTTLE	
17	A253000043	1	LEVER, CHOKE	
18	A240000010	1	ROD, CHOKE	
19	C460000002	1	LOCKOUT, THROTTLE	
20	V486000010	1	TERMINAL, LEAD	
21	V485000340	1	LEAD, GROUND	
22	16201055930	1	LEAD, IGNITION	
23	A239000000	1	BELLOWS, INTAKE	
24	A127000130	1	COVER, DUST - GRAY	
25	90025304012	2	SCREW 4X12 - TAPPING	
26	90023805012	2	SCREW 5X12	
27	V359000060	1	COLLAR	
28	V351000000	1	ADAPTOR	
29	A202000050	1	BELLOWS, INTAKE	
30	V470000481	1	PIPE	
31	90016204025	1	SCREW 4X25	
32	C626000040	1	BRACKET, HARNESS	
33	C646000050	1	RING, HARNESS	



015 0003 000

ITEM	PART NUMBER	QTY	DESCRIPTION	REMARKS
1	A051000921	1	STARTER ASY - GRAY	INCLUDES ITEMS 2-6
2	P022005890	1	GRIP, STARTER	
3	P022010440	1	REWIND SPRING KIT	
4	P022010451	1	DRUM, STARTER	
5	P022005900	1	ROPE, STARTER - 3X920mm	REPOWER BULK OPTION: 99944440000
6	17723644330	1	SCREW	
7	A172000510	1	COVER, FAN	
8	V202000040	4	SCREW	
9	90010505014	2	SCREW 5X14	
10	90060300005	4	WASHER	
11	17724704630	2	SPACER	
12	A514000020	2	PAWL	
13	17723435430	2	SPRING, RETURN	

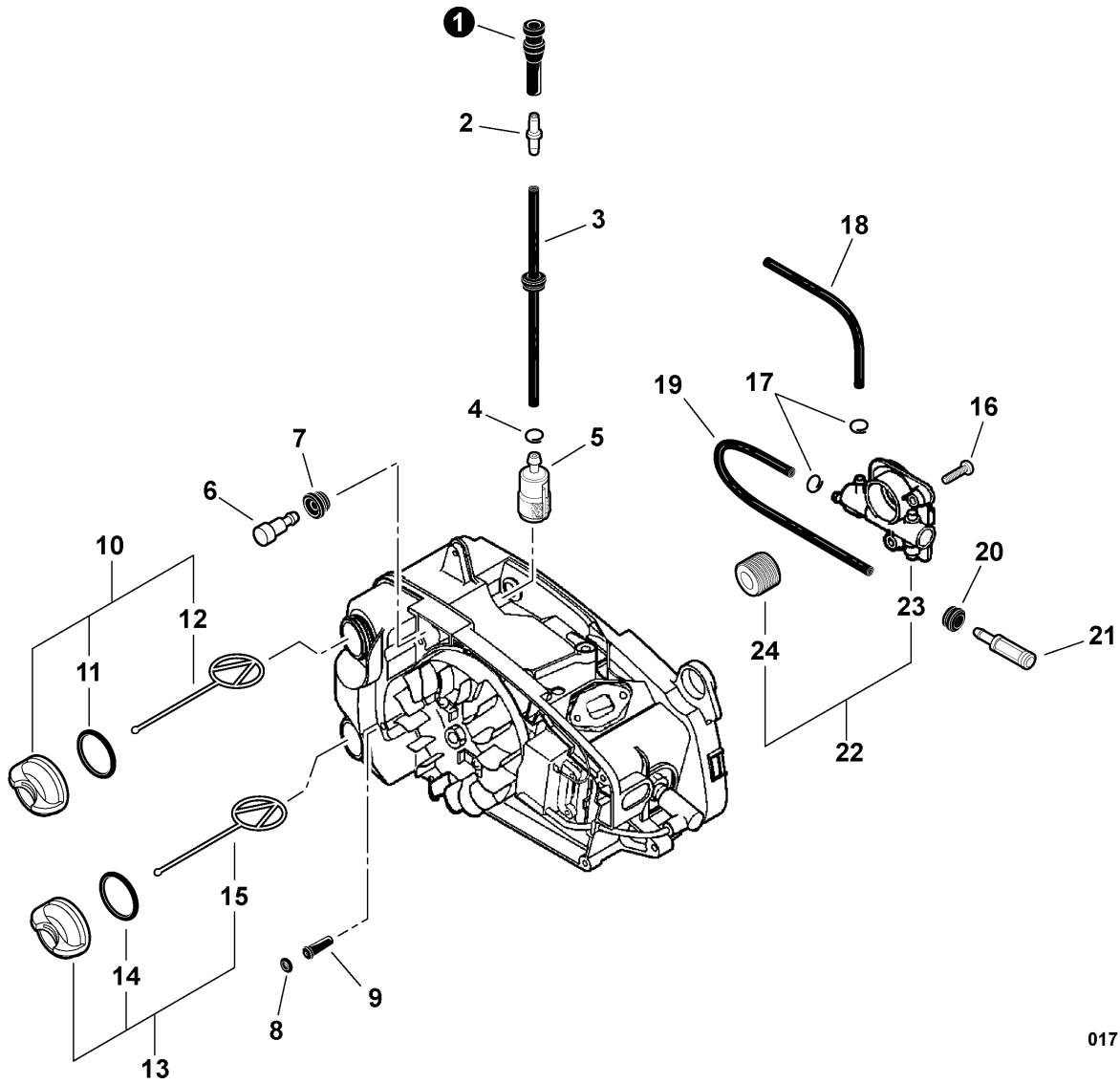


017 0003 00B

ITEM	PART NUMBER	QTY	DESCRIPTION	REMARKS
1	V470000320	1	PIPE, FUEL	
2	V186000020	1	CONNECTOR	
3	V137000020	1	GROMMET	
4	V471000750	1	PIPE, FUEL	
5	13201309820	1	CLIP	
6	13120507320	1	FILTER, FUEL ¹	
7	A356000030	1	VENT ASY	
8	V137000000	1	GROMMET	
9	90072400004	1	O-RING	
10	43611413930	1	VALVE, CHECK	
11	P021005591	1	CAP ASY - ORANGE	INCLUDES ITEMS 12-13
12	90072000018	1	O-RING	
13	A3650000050	1	CONNETOR, CAP	
14	P021005581	1	CAP ASY - BLACK	INCLUDES ITEMS 15-16
15	90072000018	1	O-RING	
16	A3650000050	1	CONNETOR, CAP	
17	90023804012	2	SCREW 4X12	
18	13201326630	2	CLIP	
19	V471000760	1	PIPE, OIL - 3X6X90mm	
20	13011005260	1	PIPE, IMPULSE - 3X5X185mm	REPOWER BULK OPTION: 90014
21	13211501461	1	GROMMET	
22	43620502832	1	FILTER, OIL	
23	P021001980	1	AUTO-OILER ASY	INCLUDES ITEMS 24-25
24	C022000000	1	AUTO-OILER	
25	V652000010	1	GEAR, WORM	

Footnotes

1: Also Included In REPOWER TUNE-UP KIT

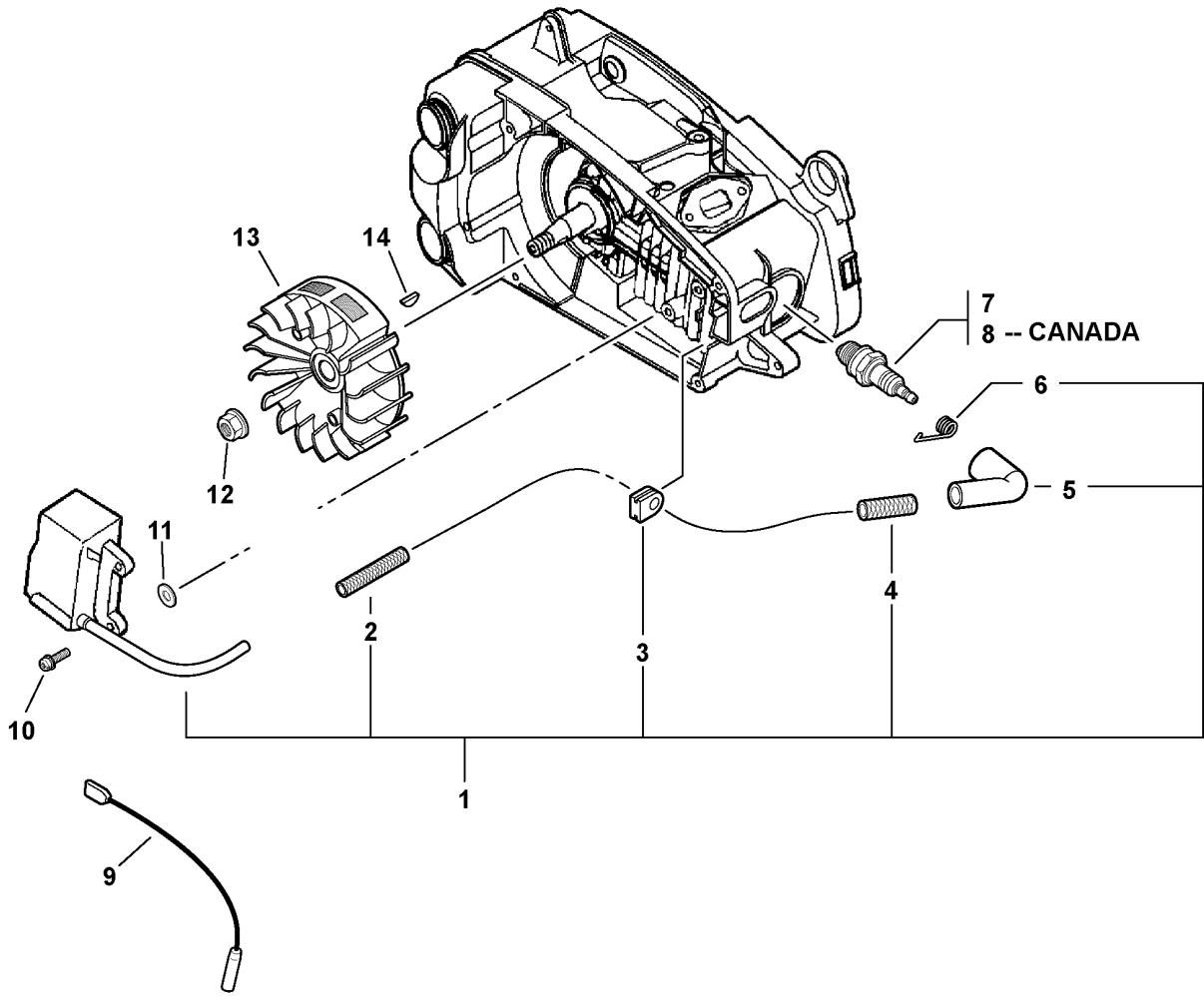


017 0003 00C

ITEM	PART NUMBER	QTY	DESCRIPTION	REMARKS
1	V470000690	1	PIPE, FUEL	
2	V186000020	1	CONNECTOR	
3	V470000710	1	FUEL PIPE ASY	
4	13201309820	1	CLIP	
5	13120507320	1	FILTER, FUEL ¹	
6	A356000030	1	VENT ASY	
7	V137000000	1	GROMMET	
8	90072400004	1	O-RING	
9	43611413930	1	VALVE, CHECK	
10	P021005591	1	CAP ASY - ORANGE	INCLUDES ITEMS 11-12
11	90072000018	1	O-RING	
12	A365000050	1	CONNECTOR, CAP	
13	P021005581	1	CAP ASY - BLACK	INCLUDES ITEMS 14-15
14	90072000018	1	O-RING	
15	A365000050	1	CONNECTOR, CAP	
16	90023804012	2	SCREW 4X12	
17	13201326630	2	CLIP	
18	V471000760	1	PIPE, OIL - 3X6X90mm	
19	13011005260	1	PIPE, IMPULSE - 3X5X185mm	REPOWER BULK OPTION: 90014
20	13211501461	1	GROMMET	
21	43620502832	1	FILTER, OIL	
22	P021001980	1	AUTO-OILER ASY	INCLUDES ITEMS 23-24
23	C022000000	1	AUTO-OILER	
24	V652000010	1	GEAR, WORM	

Footnotes

1: Also Included In REPOWER TUNE-UP KIT

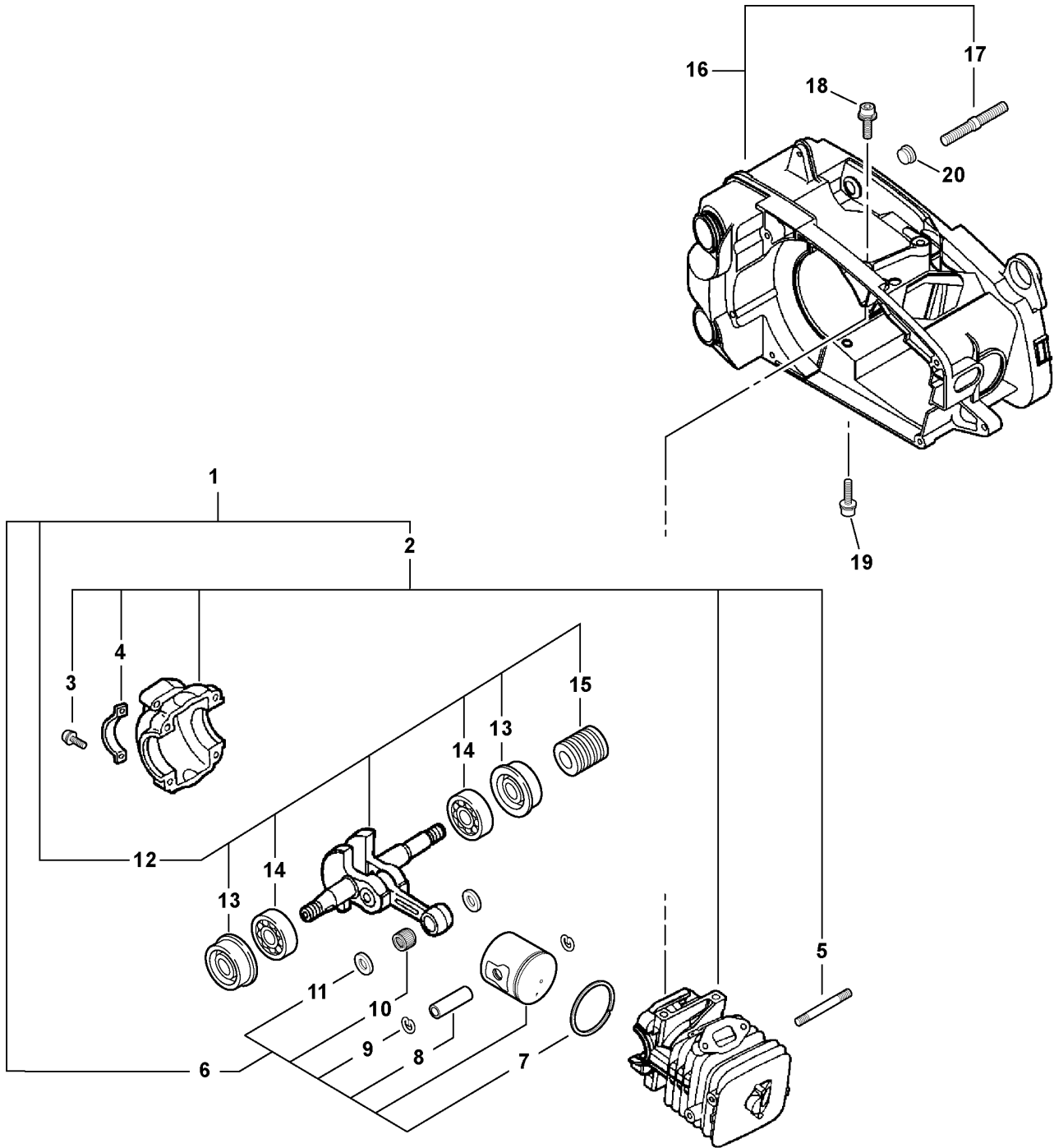


018 0004 00C

ITEM	PART NUMBER	QTY	DESCRIPTION	REMARKS
1	A411000241	1	COIL KIT	INCLUDES ITEMS 2-6
2	P003001450	1	TUBE, INSULATOR	
3	15611004920	1	BUSHING	
4	P003001440	1	TUBE, INSULATOR	
5	A427000020	1	CAP, SPARK PLUG	
6	A426000020	1	TERMINAL, SPARK PLUG CAP	
7	15901019830	1	SPARK PLUG -- BPM-8Y ¹	
8	A425000000	1	SPARK PLUG -- BPMR-8Y ¹	
9	V485000590	1	LEAD, IGNITION	
10	90023805022	2	SCREW 5X22	
11	15011716430	2	SPACER	
12	90051500008	1	FLANGE NUT	
13	A409000240	1	FLYWHEEL	
14	10014212330	1	WOODRUFF KEY	

Footnotes

1: Also Included In REPOWER TUNE-UP KIT



SB1085 0000 000

ITEM	PART NUMBER	QTY	DESCRIPTION	REMARKS
1	SB1085	1	SHORT BLOCK	INCLUDES ITEMS 2-15
2	P021008952	1	CRANKCASE KIT	INCLUDES ITEMS 3-5
3	9112805025	4	SCREW 5X25	
4	V150001670	2	BRACKET, CRANKCASE	
5	V223000000	2	BOLT, STUD	
6	P021008980	1	PISTON KIT	INCLUDES ITEMS 7-11
7	10001116131	1	RING, PISTON	
8	10001315330	1	PIN, PISTON	
9	10001504630	2	CIRCLIP, PISTON PIN	
10	V553000040	1	BEARING, NEEDLE	
11	10001460930	2	SPACER, PISTON PIN	
12	P021008992	1	CRANKSHAFT ASY	INCLUDES ITEMS 13-15
13	V505000010	2	OIL SEAL	
14	9403536201	2	BEARING, BALL - 6201	
15	V652000010	1	GEAR, WORM	
16	P021008962	1	COVER, ENGINE - GRAY	INCLUDES ITEM 17
17	V224000030	2	STUD, GUIDE BAR	
18	90010605020	2	SCREW 5X20	
19	90010605030	2	SCREW 5X30	
20	16391130130	1	PLUG	

ADVERTENCIA PELIGRO
 Esta unidad puede ser peligrosa y producir lesiones personales graves si no se usa en forma adecuada. Para reducir el riesgo de lesiones, los operadores, los ayudantes y los espectadores deben leer y comprender el Manual Del Operador y los Manuales e guía que se entregan escritos en español.

GUIDE BAR	CHAIN	REPLACEMENT BAR AND CHAIN
PART NO.	TYPE	LINKS
12" 12A0E03745	OREGON 91VG 46	
14" 14A0E03762	OREGON 91VG 52	
16" 16A0E03767	OREGON 91VG 57	

Note: There may be other replacement components for achieving kickback protection. For details, please refer to the bar and chain combination sheet shown in the instruction manual.

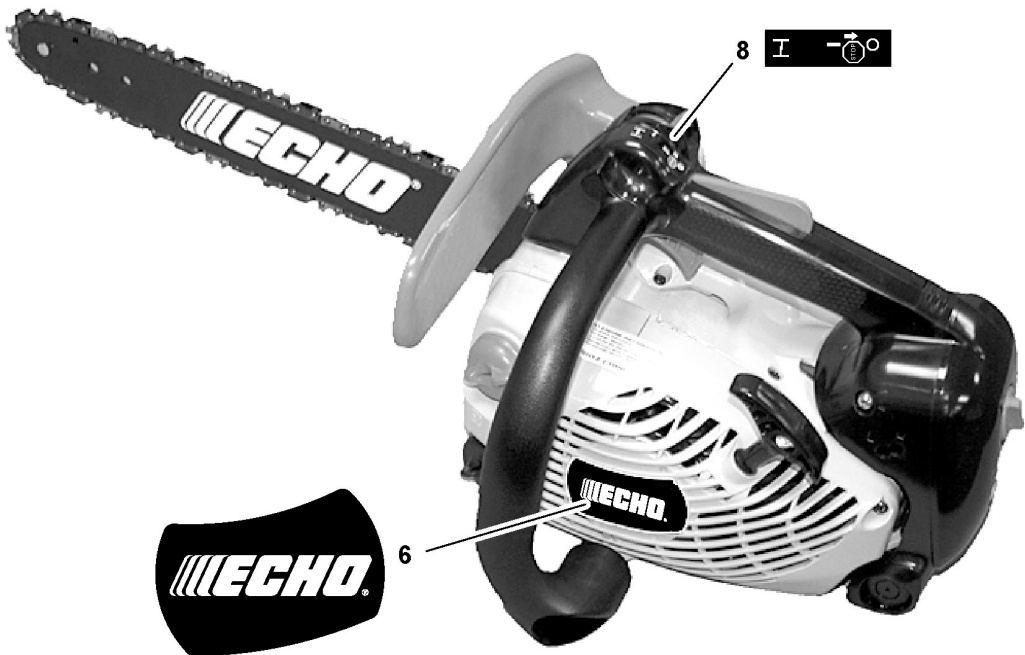
CS-360T
WARNING! Read and follow all safety precautions in the instruction manual. Failure to follow instructions could result in serious personal injury.

TO AVOID KICKBACK
 1. Hold the chain saw firmly with both hands.
 2. Don't let the nose of the guide bar contact any obstruction.
 3. Tip contact may suddenly move the guide bar upward and backward, which may cause serious injury.

WARNING
 Lesen bitte immer die Anweisung, wenn Sie diese Säge benutzen, und lesen außerdem alle weiteren für Sie geltenden Anweisungen. Versuchen Sie nicht, die Säge zu reparieren, wenn Sie nicht ausgebildet sind. Die Säge darf nur von einem ausgebildeten Fachmann repariert werden. Die Säge darf nicht in der Nähe von Kindern oder Tieren benutzt werden. Die Säge darf nicht in der Nähe von Stromleitungen benutzt werden. Die Säge darf nicht in der Nähe von Gasleitungen benutzt werden. Die Säge darf nicht in der Nähe von Telefonleitungen benutzt werden. Die Säge darf nicht in der Nähe von Wasserleitungen benutzt werden. Die Säge darf nicht in der Nähe von Erdgasleitungen benutzt werden. Die Säge darf nicht in der Nähe von Erdgasleitungen benutzt werden. Die Säge darf nicht in der Nähe von Erdgasleitungen benutzt werden.


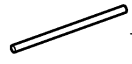

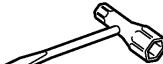







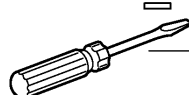
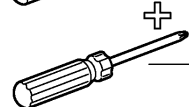



ECHO
CS-360T



100 0037 0US

ITEM	PART NUMBER	QTY	DESCRIPTION	REMARKS
1	89022839131	1	LABEL, CAUTION	
2	X524001710	1	LABEL, BAR & CHAIN	
3	X503006530	1	LABEL - MODEL -- CS-330T	
4	X505002060	1	LABEL, WARNING	
5	X505002310	1	LABEL - CAUTION -- HOT	
6	89019130131	1	LABEL -- KICK BACK	
7	X503006550	1	LABEL - MODEL -- CS-330T	
8	X524001450	1	LABEL - STOP	
9	X502000620	1	LABEL - ECHO	

	<u>1 - 89541010630 -- 17X19mm</u>		<u>12 - 89751801131 -- 5X120mm</u>
	<u>2 - X602000020 -- 17X19mm</u>		<u>13 - 89541220960 -- 10mm</u>
	<u>3 - 89541039131 -- 10X19mm</u>		<u>14 - 89561203430 -- 3mm</u>
	<u>4 - 89541006960 -- 13X19mm</u>		<u>15 - 89561000130 -- 4mm</u>
	<u>5 - X602000031 -- 17X14.5mm</u>		<u>16 - 89561100330 -- 5mm</u>
	<u>6 - 89511200330 -- 8X10mm</u>		<u>17 - X605000060 -- T27</u>
	<u>7 - 89512220960 -- 17X19mm</u>		
	<u>8 - 89501505260 -- 10mm</u>		
	<u>9 - 89581100130 -- 125mm</u>		
	<u>10 - 89581203930 -- 50mm</u>		
	<u>11 - 89757005560</u>		

Consult Your Owners Manual - Consulte a sus dueños manuales

200 0001 000

ITEM	PART NUMBER	QTY	DESCRIPTION	REMARKS
1	89541010630	1	SOCKET WRENCH/SCREWDRIVER	17X19mm
2	X602000020	1	SOCKET WRENCH/SCREWDRIVER	17X19mm
3	89541039131	1	SOCKET WRENCH/SCREWDRIVER	10X19mm
4	89541006960	1	SOCKET WRENCH/SCREWDRIVER	13X19mm
5	X602000031	1	SOCKET WRENCH	17X14.5mm
6	89511200330	1	OPEN END WRENCH	8X10mm
7	89512220960	1	OPEN END WRENCH	17X19mm
8	89501505260	1	OPEN END WRENCH	10mm
9	89581100130	1	SCREWDRIVER	125mm SLOT HEAD
10	89581203930	1	SCREWDRIVER	50mm CROSS HEAD
11	89757005560	1	CHUCK KEY	
12	89751801131	1	LOCKING ROD	5X120mm
13	89541220960	1	HEX BAR	10mm
14	89561203430	1	HEX KEY	3mm
15	89561000130	1	HEX KEY	4mm
16	89561100330	1	HEX KEY	5mm
17	X605000060	1	TORX KEY	T27



Part Number Index

Click The Page Number After Any Part Number To View The Diagram Containing That Part.

Part Number	Page	Part Number	Page	Part Number	Page
-----	5, 7, 9	90025304012	13, 19	P003001380	9
10001116131	29	90025304016	11	P003001390	9
10001315330	29	90025305020	13, 19	P003001400	9
10001460930	29	90025604016	19	P003001410	9
10001504630	29	90033030260	13	P003001440	27
10014212330	27	90050000005	11	P003001450	27
10091060030	19	90051500008	27	P021001980	23, 25
10091532530	19	90056250005	13	P021005581	23, 25
10091815130	19	90060300005	21	P021005591	23, 25
10092139130	19	90072000018	23, 25	P021005810	17
12311003930	9	90072400004	23, 25	P021008952	29
12311337530	9	9112805025	29	P021008962	29
12311403930	9	9131805032	13	P021008980	29
12311405260	9	9136704012	11	P021008992	29
12311610530	9	9148104035	19	P021009001	19
12312052131	9	91VG52CQ	15	P022005890	21
12312203660	9	9228005000	11	P022005900	21
12312715030	9	9305030098	13	P022010440	21
12313002960	9	9403536201	29	P022010451	21
12313304260	9	A021001110	9	SB1085	29
12313903930	9	A051000921	21	V104000680	11
12314926030	9	A056000070	17	V137000000	23, 25
13002033330	19	A127000130	19	V137000020	23
13011005260	23, 25	A172000510	21	V150001670	29
13120507320	23, 25	A202000050	19	V186000020	23, 25
13201309820	5, 23, 25	A204000072	5, 7	V202000020	19
13201326630	23, 25	A226000291	5, 7	V202000040	21
13211501461	23, 25	A232000290	5, 7	V203000041	13
14564213930	11	A235000040	5, 7	V223000000	29
14A0ED3752	15	A239000000	19	V224000030	29
15011716430	27	A240000010	19	V351000000	19
15611004920	27	A253000043	19	V352000020	19
15901019830	27	A300000551	11	V353000060	13
16201055930	19	A301000020	11	V355000140	13
16391130130	29	A310000030	11	V359000060	19
17500539132	17	A313000710	11	V376000450	13
17501200831	17	A313000721	11	V376000740	11
17501439131	17	A320000322	11	V400000021	19
17723435430	21	A320000490	11	V450000070	13
17723644330	21	A356000030	23, 25	V451000470	17
17724704630	21	A365000050	23, 25	V452000010	19
2894901	15	A409000240	27	V452000110	13
43301903933	13	A411000241	27	V470000320	23
43302635430	13	A425000000	27	V470000481	19
43311635430	13	A426000020	27	V470000690	25
43316739130	13	A427000020	27	V470000710	25
43611413930	23, 25	A514000020	21	V471000750	23
43620502832	23, 25	A551000010	17	V471000760	23, 25
89019130131	31	A552000020	17	V471001500	5
89022839131	31	C022000000	23, 25	V485000340	19
89501505260	33	C032000260	13	V485000590	27
89511200330	33	C300000291	13	V486000010	19
89512220960	33	C304000000	13	V505000010	29
89541006960	33	C305000070	13	V553000040	29
89541010630	33	C309000030	13	V651000001	13
89541039131	33	C320000090	13	V651000011	13
89541220960	33	C328000030	13	V652000010	23, 25, 29
89561000130	33	C334000070	13	X502000620	31
89561100330	33	C345000191	13	X503006530	31
89561203430	33	C400000370	19	X503006550	31
89581100130	33	C450000010	19	X505002060	31
89581203930	33	C454000070	19	X505002310	31
89751801131	33	C460000002	19	X524001450	31
89757005560	33	C626000040	19	X524001710	31
90010505014	21	C646000050	19	X602000020	33
90010605020	29	P003000010	9	X602000031	33
90010605030	29	P003000140	9	X605000060	33
90016204025	19	P003000160	9		
90023804012	23, 25	P003000240	9		
90023805012	19	P003000250	9		
90023805022	27	P003000380	9		
90023805050	5, 7	P003001140	9		
90025304010	13	P003001300	9		



Part Description Index

Click The Page Number After Any Part Description To View The Diagram Containing That Part.

A

ADAPTOR.....19
 AUTO-OILER.....23, 25
 AUTO-OILER ASY.....23, 25

B

BAND, BRAKE.....13
 BEARING, BALL - 6201.....29
 BEARING, NEEDLE.....17, 29
 BELLOWS, INTAKE.....19
 BODY, CARBURETOR.....9
 BOLT.....19
 BOLT 5.....13
 BOLT, STUD.....29
 BRACKET, CRANKCASE.....29
 BRACKET, HARNESS.....19
 BUMPER, SPIKED.....13
 BUSHING.....27

C

CAP.....19
 CAP ASY - BLACK.....23, 25
 CAP ASY - ORANGE.....23, 25
 CAP, MIXTURE LIMITER.....9
 CAP, SPARK PLUG.....27
 CARBURETOR.....5, 7
 CARBURETOR -- WT-739.....9
 CATCHER, CHAIN.....13
 CHAIN BRAKE ASY.....13
 CHUCK KEY.....33
 CIRCLIP.....9
 CIRCLIP, PISTON PIN.....29
 CLIP.....5, 23, 25
 CLUTCH ASY.....17
 CLUTCH SHOE SET.....17
 COIL KIT.....27
 COLLAR.....13, 19
 CONNECTOR.....23, 25
 CONNECTOR, BRAKE.....13
 CONNETOR, CAP.....23, 25
 COVER, BRAKE.....13
 COVER, DUST - GRAY.....19
 COVER, ENGINE - GRAY.....29
 COVER, FAN.....21
 COVER, FUEL PUMP.....9
 COVER, METERING DIAPHRAGM.....9
 COVER, MUFFLER - GRAY.....11
 COVER, MUFFLER - ORANGE.....11
 CRANKCASE KIT.....29
 CRANKSHAFT ASY.....29
 CUSHION.....19

D

DIAPHRAGM, FUEL PUMP.....9
 DIAPHRAGM, METERING.....9
 DRUM, CLUTCH.....17
 DRUM, STARTER.....21

E

EYE PLATE.....11

F

FILTER, AIR.....5, 7
 FILTER, FUEL.....23, 25
 FILTER, OIL.....23, 25
 FLANGE NUT.....13, 27
 FLANGE NUT 5.....13
 FLYWHEEL.....27
 FUEL PIPE ASY.....25

G

GASKET, EXHAUST.....11
 GASKET, FUEL PUMP.....9
 GASKET, METERING DIAPHRAGM.....9
 GASKET/DIAPHRAGM KIT.....9
 GEAR, BEVEL.....13
 GEAR, WORM.....23, 25, 29
 GRIP, STARTER.....21
 GROMMET.....23, 25
 GUARD, SPROCKET.....13
 GUIDE BAR - 14" -- Pro 91.....15
 GUIDE, EXHAUST.....11

H

HANDLE, FRONT.....19
 HEX BAR.....33
 HEX KEY.....33
 HUB, CLUTCH.....17

K

KICK GUARD KIT.....15
 KNOB, AIR CLEANER LID.....5, 7

L

LABEL - CAUTION -- HOT.....31
 LABEL - ECHO.....31
 LABEL -- KICK BACK.....31
 LABEL - MODEL -- CS-330T.....31
 LABEL - STOP.....31
 LABEL, BAR & CHAIN.....31
 LABEL, CAUTION.....31
 LABEL, WARNING.....31
 LEAD, GROUND.....19
 LEAD, IGNITION.....19, 27
 LEVER, BRAKE.....13
 LEVER, CHOKE.....19
 LEVER, FAST IDLE.....9
 LEVER, METERING.....9
 LEVER, THROTTLE.....9
 LID, AIR CLEANER.....5, 7
 LOCKING ROD.....33
 LOCKOUT, THROTTLE.....19

M

MOUNT, AIR FILTER.....5, 7
 MUFFLER.....11

N

NEEDLE, ADJUSTMENT.....9
 NUT.....11, 19

O

OIL SEAL.....29
 OPEN END WRENCH.....33
 O-RING.....23, 25

P

PAWL.....21
 PIN, METERING LEVER.....9
 PIN, PISTON.....29
 PIPE.....5, 19
 PIPE, FUEL.....23, 25
 PIPE, IMPULSE - 3X5X185mm.....23, 25
 PIPE, OIL - 3X6X90mm.....23, 25
 PISTON KIT.....29
 PLATE, CLUTCH.....17
 PLATE, SPROCKET GUARD.....13
 PLUG.....29
 PLUG, WELCH.....9

R

REAR HANDLE SET.....19
 REPAIR KIT.....9
 REWIND SPRING KIT.....21
 RING, HARNESS.....19
 RING, PISTON.....29
 ROD, CHOKE.....19
 ROD, THROTTLE.....19
 ROLLER.....13
 ROPE, STARTER - 3X920mm.....21

S

SAWING CHAIN - 14" -- XtraGUARD.....15
 SCREEN.....11
 SCREEN, INLET.....9
 SCREW.....9, 19, 21
 SCREW - TAPPING.....19
 SCREW 4X10.....13
 SCREW 4X12.....11, 23, 25
 SCREW 4X12 - TAPPING.....13, 19
 SCREW 4X16.....19
 SCREW 4X16 - TAPPING.....11
 SCREW 4X25.....19
 SCREW 5X12.....19
 SCREW 5X14.....21
 SCREW 5X20.....29
 SCREW 5X20 - TAPPING.....13, 19
 SCREW 5X22.....27
 SCREW 5X25.....29
 SCREW 5X30.....29
 SCREW 5X32.....13
 SCREW 5X50.....5, 7
 SCREW, IDLE ADJUST.....9
 SCREW, PUMP COVER.....9
 SCREW, THROTTLE VALVE.....9
 SCREWDRIVER.....33
 SHAFT, CHOKE.....9
 SHAFT, THROTTLE.....9
 SHORT BLOCK.....29
 SOCKET WRENCH.....33
 SOCKET WRENCH/SCREWDRIVER.....33
 SPACER.....11, 13, 21, 27
 SPACER 8X12X9.....13
 SPACER, PISTON PIN.....29



Part Description Index (continued)

SPARK PLUG -- BPM-8Y.....27
SPARK PLUG -- BPMP-8Y.....27
SPRING.....13
SPRING, CHOKE RETURN.....9
SPRING, CLUTCH.....17
SPRING, IDLE ADJUST.....9
SPRING, METERING LEVER.....9
SPRING, RETURN.....21
SPRING, THROTTLE RETURN.....9
SPRING, THROTTLE TRIGGER.....19
STARTER ASY - GRAY.....21
STUD, GUIDE BAR.....29

T

TENSIONER, CHAIN.....13
TERMINAL, LEAD.....19
TERMINAL, SPARK PLUG CAP.....27
TORX KEY.....33
TRIGGER, THROTTLE.....19
TUBE, INSULATOR.....27

V

VALVE, CHECK.....23, 25
VALVE, CHOKE.....9
VALVE, INLET NEEDLE.....9
VALVE, THROTTLE.....9
VENT ASY.....23, 25

W

WASHER.....9, 11, 17, 21
WOODRUFF KEY.....27

NOTES



ECHO, INCORPORATED

400 Oakwood Road
Lake Zurich, IL 60047 USA

WWW.ECHO-USA.COM
