



OPTIONAL ATTACHMENTS & ACCESSORIES

Accessories

103942147	CS Carry Bag
103942148	CS Camouflage Carry Bag
89850308034	Bar & Chain Cover -- 20"
99988800307	Debris Shield
99988800309	CS Lanyard Strap w_Snap
99988801207	ToughChest - 24" Chain Saw Case

Guide Bars

12A0CD3745	Guide Bar - 12" (.050" Ga)
12A0ED3745	Guide Bar - 12" (.050" Ga)
14A0CD3752	Guide Bar - 14" (.050" Ga)
16A0CD3757	Guide Bar - 16" (.050" Ga)
16A0ED3757	Guide Bar - 16" (.050" Ga)

RePower Maintenance Kits

900100	Tune-Up Kit
--------	-------------

PARTS CATALOG

CS-330T Chain Saw

32.6cc

SERIAL NUMBERS

S/N: C04212001001 - C04212999999

ECHO, INCORPORATED

400 Oakwood Road Lake Zurich, Illinois 60047 USA

WWW.ECHO-USA.COM



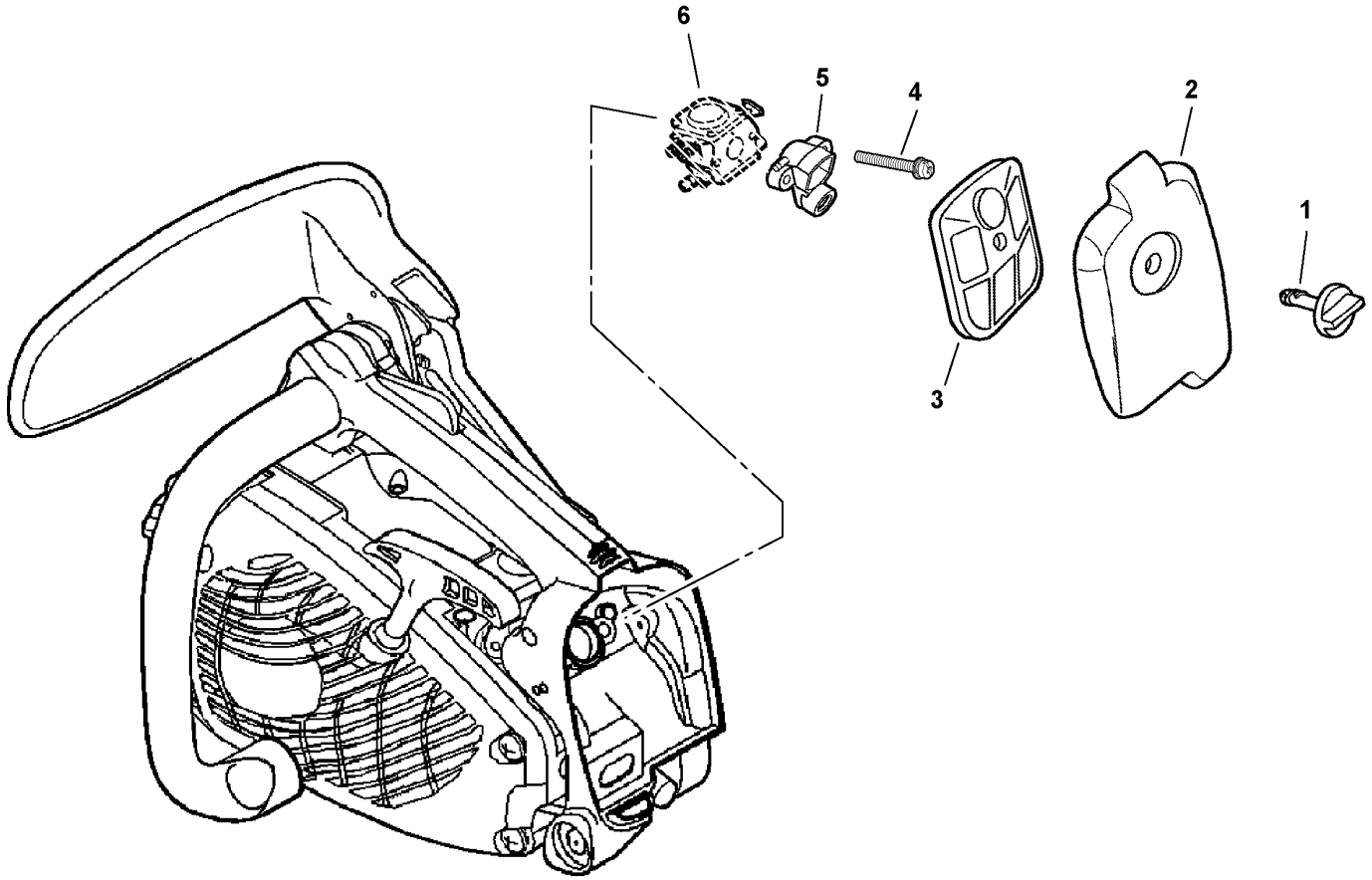
Table of Contents

Click Any Diagram Description Below To View That Diagram.

CS-330T S/N: C04212001001 - C04212999999

Intake.....	4
Carburetor -- WT-739.....	6
Exhaust.....	8
Chain Brake.....	10
Standard Guide Bar, Sawing Chain, Kick Guard.....	12
Clutch.....	14
Handles, Throttle Control.....	16
Starter.....	18
Fuel System, Auto-Oiler.....	20
Ignition.....	22
Engine, Short Block -- SB1085.....	24
Labels.....	26
Tools.....	28
Part Number Index.....	30
Part Description Index.....	31

This Page Intentionally Left Blank

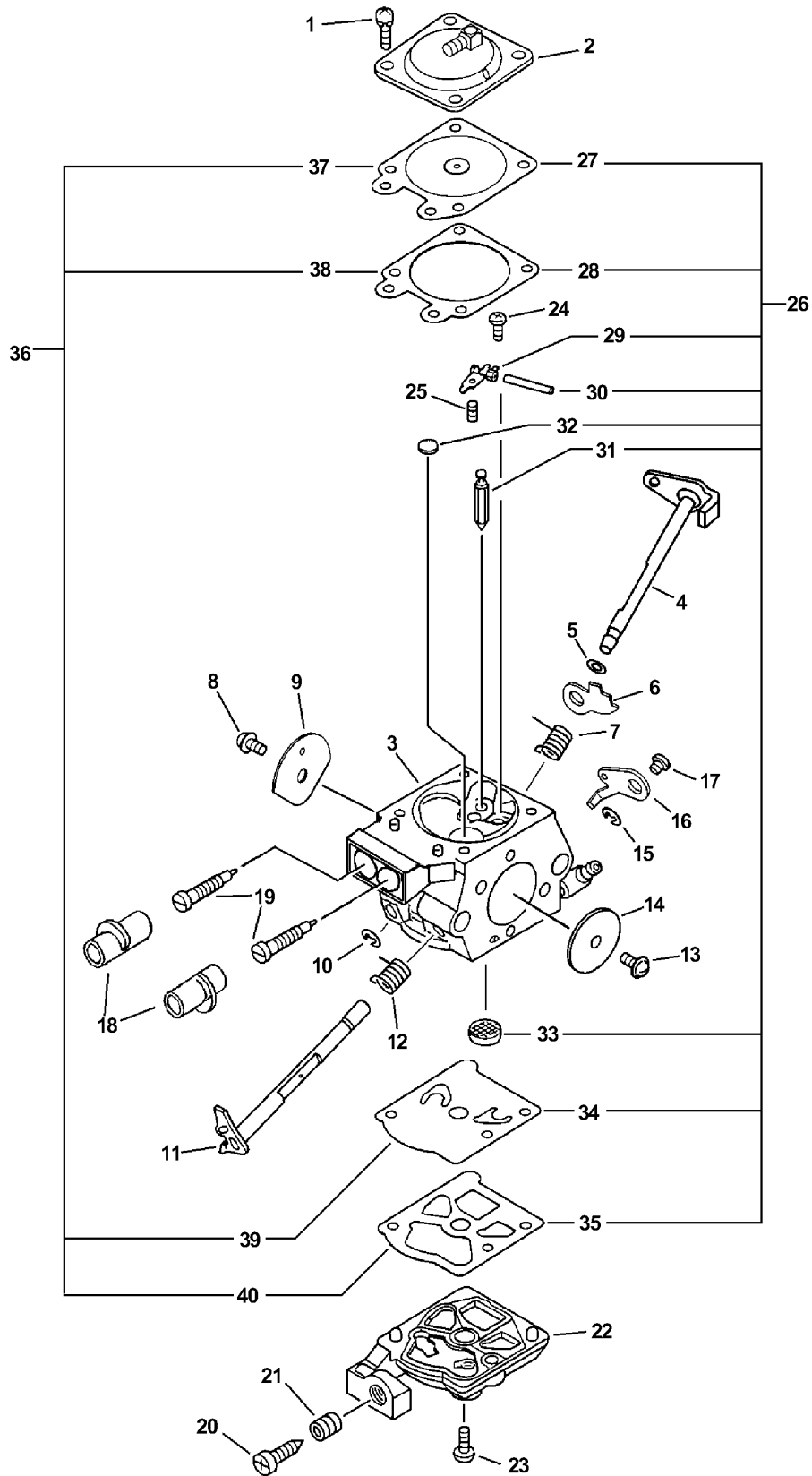


010 0006 000

ITEM	PART NUMBER	QTY	DESCRIPTION	REMARKS
1	A235000040	1	KNOB, AIR CLEANER LID	
2	A232000290	1	LID, AIR CLEANER	
3	A226000291	1	FILTER, AIR ¹	
4	90023805050	2	SCREW 5X50	
5	A204000072	1	MOUNT, AIR FILTER	
6	-----	1	CARBURETOR ²	

Footnotes

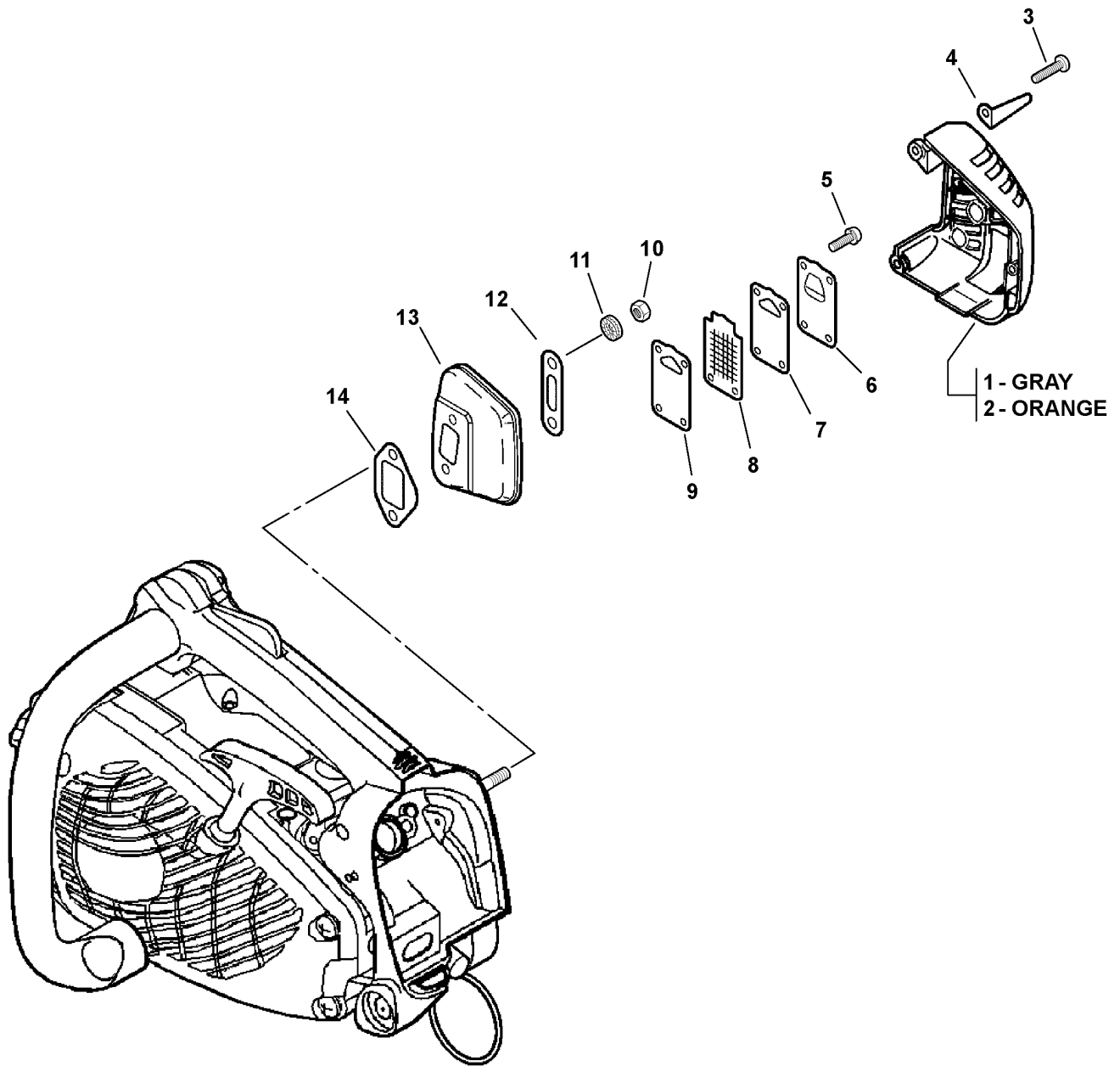
- 1:** Also Included In REPOWER TUNE-UP KIT
- 2:** See Carburetor Diagram For Additional Information



ITEM	PART NUMBER	QTY	DESCRIPTION	REMARKS
	A021001110	1	CARBURETOR -- WT-739	
1	12313002960	4	SCREW	
2	P003001390	1	COVER, METERING DIAPHRAGM	
3	-----	1	BODY, CARBURETOR ¹	
4	P003001140	1	SHAFT, CHOKE	
5	12314926030	1	WASHER	
6	P003000160	1	LEVER, FAST IDLE	
7	P003000140	1	SPRING, CHOKE RETURN	
8	12311403930	1	SCREW	
9	P003001410	1	VALVE, CHOKE	
10	12312715030	1	CIRCLIP	
11	P003001300	1	SHAFT, THROTTLE	
12	12311337530	1	SPRING, THROTTLE RETURN	
13	12311405260	1	SCREW, THROTTLE VALVE	
14	12311610530	1	VALVE, THROTTLE	
15	12312715030	1	CIRCLIP	
16	P003000380	1	LEVER, THROTTLE	
17	12311403930	1	SCREW	
18	P003000010	2	CAP, MIXTURE LIMITER	
19	12312052131	2	NEEDLE, ADJUSTMENT	
20	P003001400	1	SCREW, IDLE ADJUST	
21	12313304260	1	SPRING, IDLE ADJUST	
22	P003001380	1	COVER, FUEL PUMP	
23	12311003930	1	SCREW, PUMP COVER	
24	12313903930	1	SCREW	
25	12312203660	1	SPRING, METERING LEVER	
26	P003000250	1	REPAIR KIT	INCLUDES ITEM 27-35
27	-----	1	DIAPHRAGM, METERING	
28	-----	1	GASKET, METERING DIAPHRAGM	
29	-----	1	LEVER, METERING	
30	-----	1	PIN, METERING LEVER	
31	-----	1	VALVE, INLET NEEDLE	
32	-----	1	PLUG, WELCH	
33	-----	1	SCREEN, INLET	
34	-----	1	DIAPHRAGM, FUEL PUMP	
35	-----	1	GASKET, FUEL PUMP	
36	P003000240	1	GASKET/DIAPHRAGM KIT	INCLUDES ITEM 37-40
37	-----	1	DIAPHRAGM, METERING	
38	-----	1	GASKET, METERING DIAPHRAGM	
39	-----	1	DIAPHRAGM, FUEL PUMP	
40	-----	1	GASKET, FUEL PUMP	

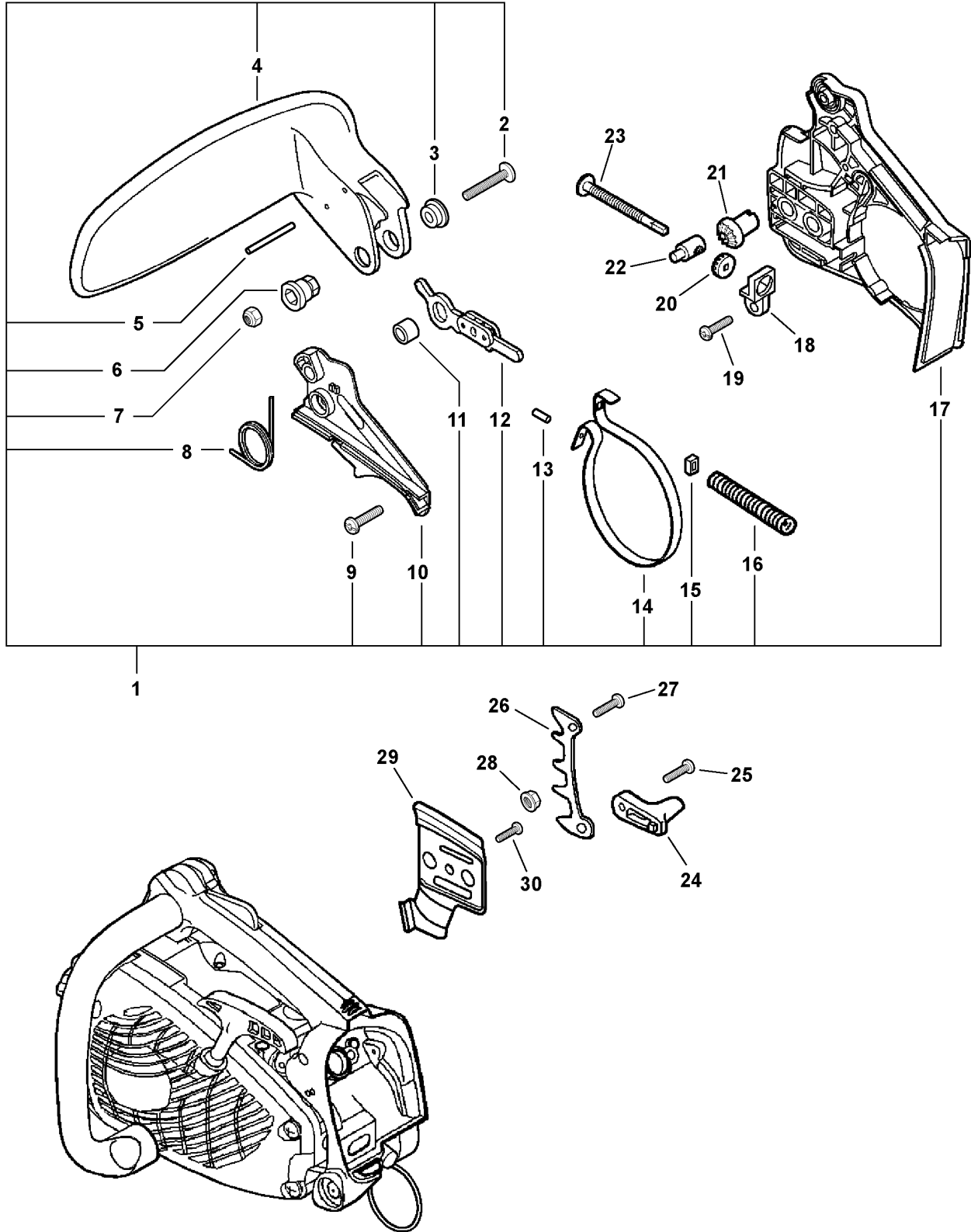
Footnotes

1: NOT AVAILABLE SEPARATELY



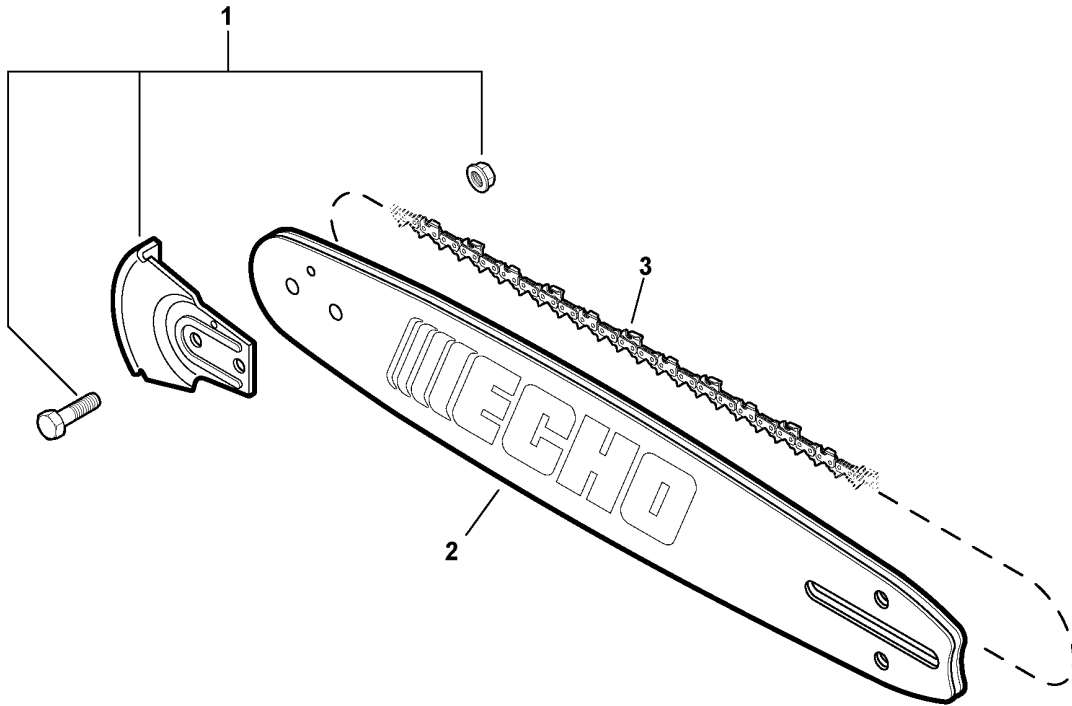
011 0005 000

ITEM	PART NUMBER	QTY	DESCRIPTION	REMARKS
1	A320000322	1	COVER, MUFFLER - GRAY	
2	A320000490	1	COVER, MUFFLER - ORANGE	
3	90025304016	3	SCREW 4X16 - TAPPING	
4	V376000740	1	SPACER	
5	9136704012	4	SCREW 4X12	
6	A313000721	1	GUIDE, EXHAUST	
7	V104000680	1	GASKET, EXHAUST	
8	A310000030	1	SCREEN	
9	A313000710	1	GUIDE, EXHAUST	
10	90050000005	2	NUT	
11	9228005000	2	WASHER	
12	14564213930	1	EYE PLATE	
13	A300000551	1	MUFFLER	
14	A301000020	1	GASKET, EXHAUST	



013 0006 ORB

ITEM	PART NUMBER	QTY	DESCRIPTION	REMARKS
1	P021016470	1	CHAIN BRAKE ASY	INCLUDES ITEMS 2-17
2	9131805032	1	SCREW 5X32	
3	43316739130	1	SPACER	
4	C320000190	1	LEVER, BRAKE - BLACK	
5	90033030260	2	ROLLER	
6	V353000060	1	COLLAR	
7	90056250005	1	FLANGE NUT 5	
8	V452000110	1	SPRING	
9	90025304012	3	SCREW 4X12 - TAPPING	
10	C345000310	1	COVER, BRAKE - ORANGE	
11	43311635430	1	SPACER 8X12X9	
12	C334000070	1	CONNECTOR, BRAKE	
13	9305030098	1	ROLLER	
14	C328000030	1	BAND, BRAKE	
15	V376000450	1	SPACER	
16	V450000070	1	SPRING	
17	C300000420	1	GUARD, SPROCKET - ORANGE	
18	V355000140	1	COLLAR	
19	90025304012	1	SCREW 4X12 - TAPPING	
20	V651000011	1	GEAR, BEVEL	
21	V651000001	1	GEAR, BEVEL	
22	C309000030	1	TENSIONER, CHAIN	
23	V203000041	1	BOLT 5	
24	43302635430	1	CATCHER, CHAIN	
25	90025305020	1	SCREW 5X20 - TAPPING	
26	C304000000	1	BUMPER, SPIKED	
27	90025305020	1	SCREW 5X20 - TAPPING	
28	43301903933	2	FLANGE NUT	
29	C305000080	1	PLATE, SPROCKET GUARD	
30	90025304010	1	SCREW 4X10	



016 0004 000

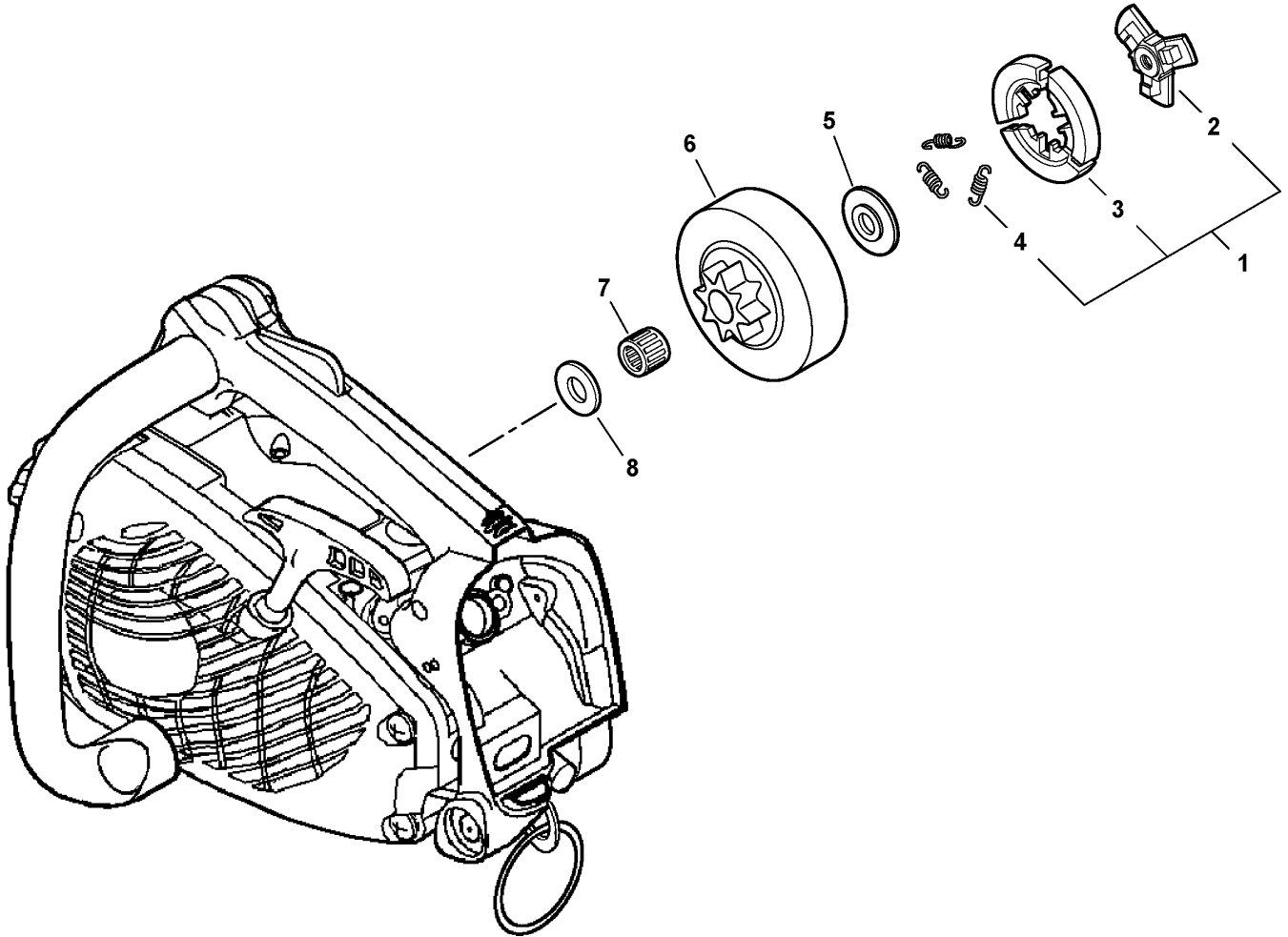
CS-330T Chain Saw

Standard Guide Bar, Sawing Chain, Kick Guard

ITEM	PART NUMBER	QTY	DESCRIPTION	REMARKS
1	2894901	1	KICK GUARD KIT	
2	14A0ED3752	1	GUIDE BAR - 14" -- Pro 91	GAUGE: .050"
3	91VG52CQ	1	SAWING CHAIN - 14" -- XtraGUARD ¹	GAUGE: .050" / PITCH: .375"

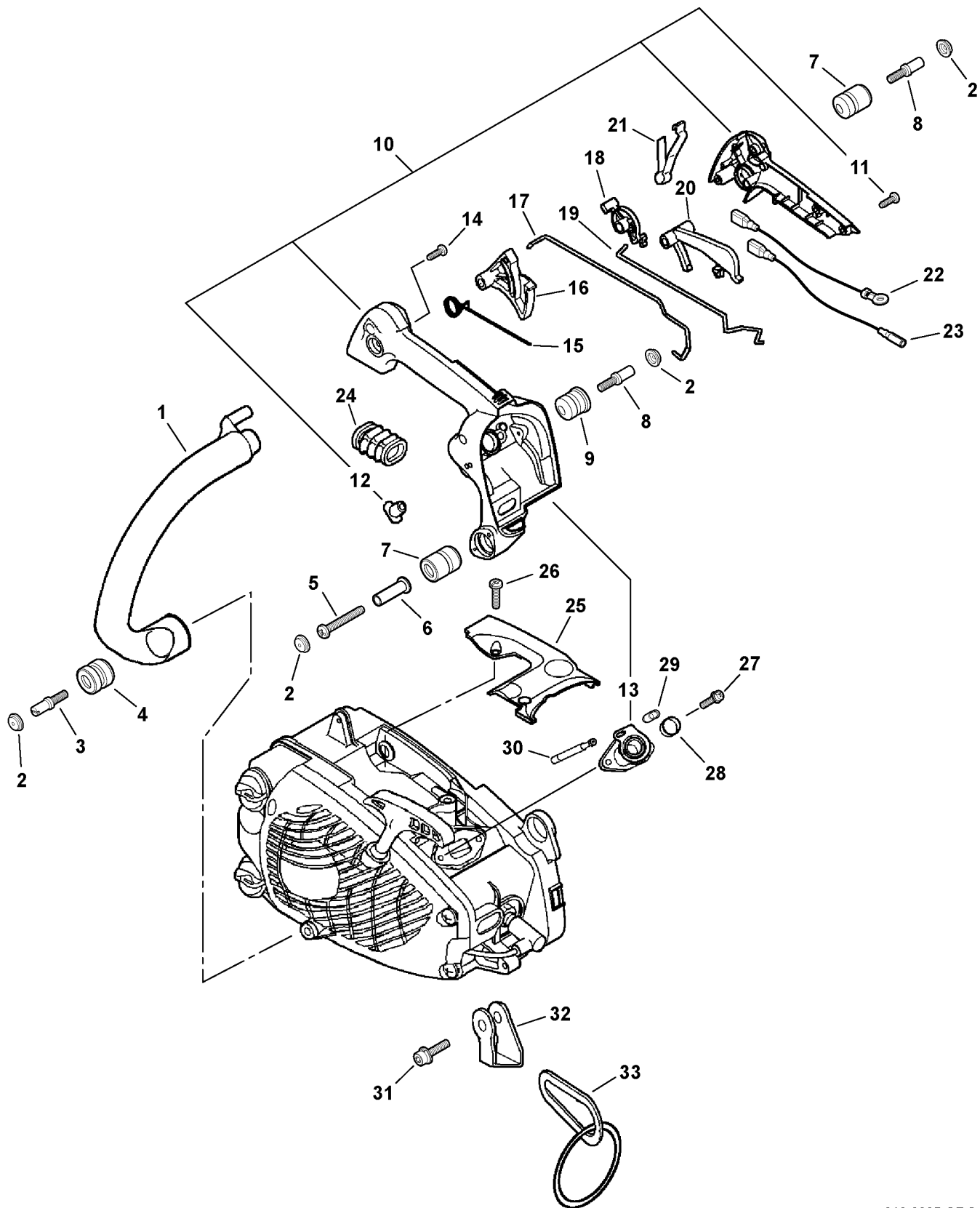
Footnotes

¹: Low Vibration



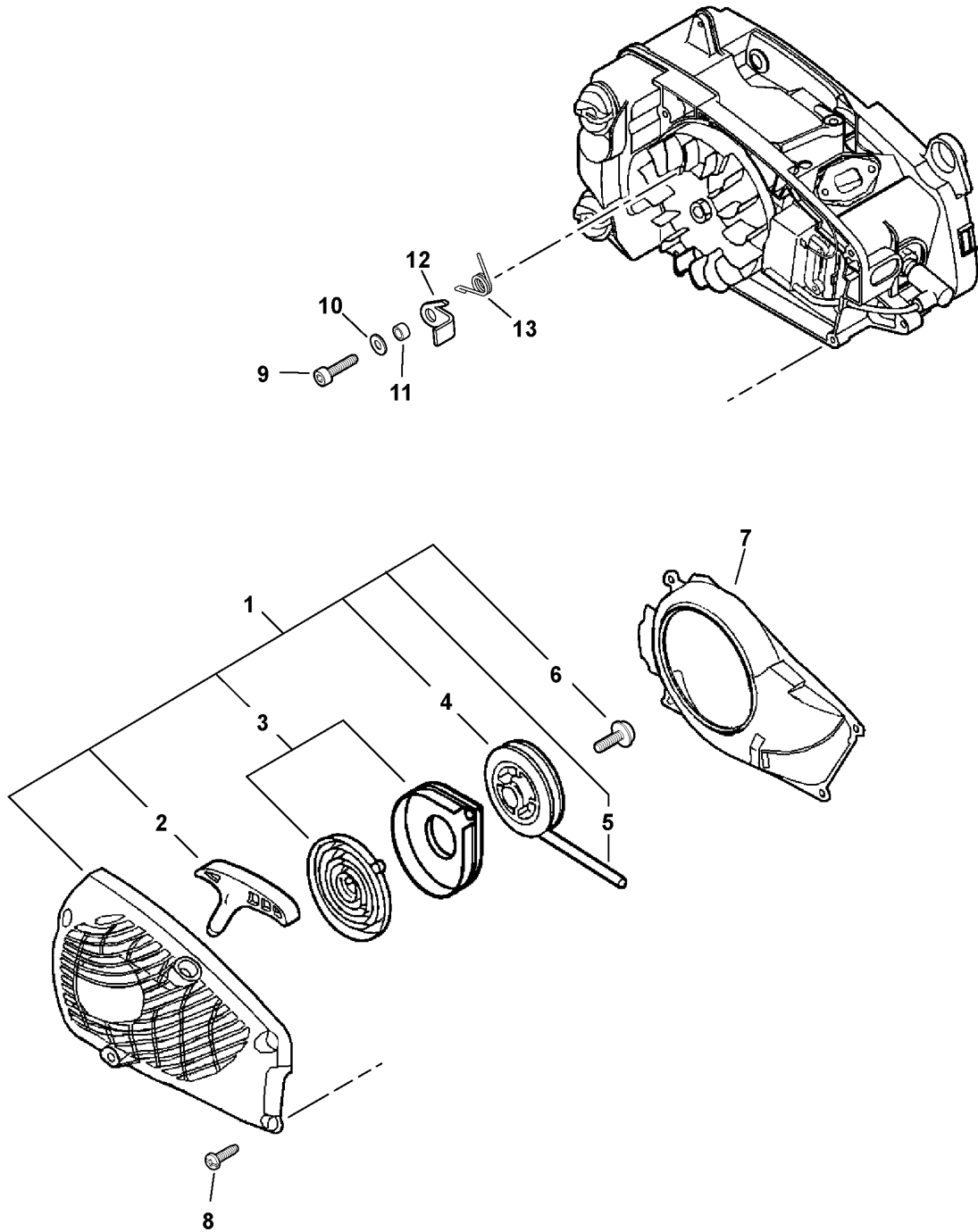
014 0004 000

ITEM	PART NUMBER	QTY	DESCRIPTION	REMARKS
1	A056000070	1	CLUTCH ASY	INCLUDES ITEMS 2-4
2	A552000020	1	HUB, CLUTCH	
3	P021005810	1	CLUTCH SHOE SET	
4	V451000470	3	SPRING, CLUTCH	
5	A551000010	1	PLATE, CLUTCH	
6	17500539132	1	DRUM, CLUTCH	
7	17501200831	1	BEARING, NEEDLE	
8	17501439131	1	WASHER	



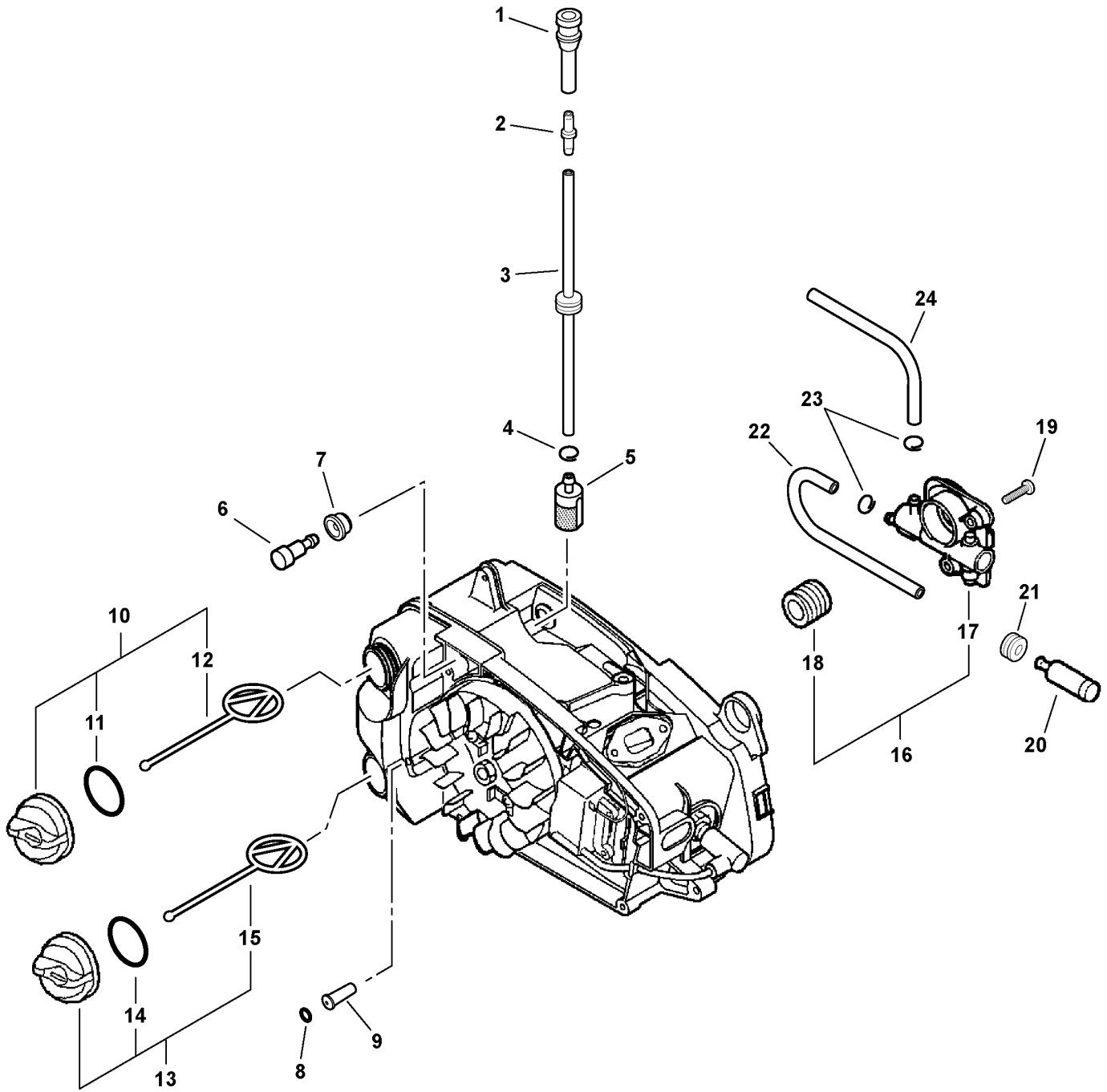
012 0005 ORG

ITEM	PART NUMBER	QTY	DESCRIPTION	REMARKS
1	C400000370	1	HANDLE, FRONT	
2	10091815130	4	CAP	
3	10091532530	1	SCREW	
4	10091060030	1	CUSHION	
5	9148104035	1	SCREW 4X35 - TAPPING	
6	V352000020	1	COLLAR	
7	V400000021	2	CUSHION	
8	V202000020	2	BOLT	
9	10092139130	1	CUSHION	
10	P021009003	1	REAR HANDLE SET	INCLUDES ITEMS 11-13
11	90025604016	4	SCREW 4X16	
12	13002033330	2	NUT	
13	A202000051	1	BELLOWS, INTAKE	
14	90025305020	2	SCREW 5X20 - TAPPING	
15	V452000010	1	SPRING, THROTTLE TRIGGER	
16	C450000010	1	TRIGGER, THROTTLE	
17	C454000070	1	ROD, THROTTLE	
18	A253000043	1	LEVER, CHOKE	
19	A240000010	1	ROD, CHOKE	
20	C460000002	1	LOCKOUT, THROTTLE	
21	V486000010	1	TERMINAL, LEAD	
22	V485000340	1	LEAD, GROUND	
23	16201055930	1	LEAD, IGNITION	
24	A239000000	1	BELLOWS, INTAKE	
25	A127000220	1	COVER, DUST - ORANGE	
26	90025304012	2	SCREW 4X12 - TAPPING	
27	90023805012	2	SCREW 5X12	
28	V359000060	1	COLLAR	
29	V351000000	1	ADAPTOR	
30	V470000481	1	PIPE	
31	90016204025	1	SCREW 4X25	
32	C626000040	1	BRACKET, HARNESS	
33	C646000050	1	RING, HARNESS	



015 0003 ORB

ITEM	PART NUMBER	QTY	DESCRIPTION	REMARKS
1	A051001330	1	STARTER ASY - ORANGE	INCLUDES ITEMS 2-6
2	P022005890	1	GRIP, STARTER	
3	P022010440	1	REWIND SPRING KIT	
4	P022010451	1	DRUM, STARTER	
5	P022005900	1	ROPE, STARTER - 3X920mm	REPOWER BULK OPTION: 99944440000
6	17723644330	1	SCREW	
7	A172000510	1	COVER, FAN	
8	V202000040	4	SCREW	
9	90010505014	2	SCREW 5X14	
10	90060300005	4	WASHER	
11	17724704630	2	SPACER	
12	A514000020	2	PAWL	
13	17723435430	2	SPRING, RETURN	

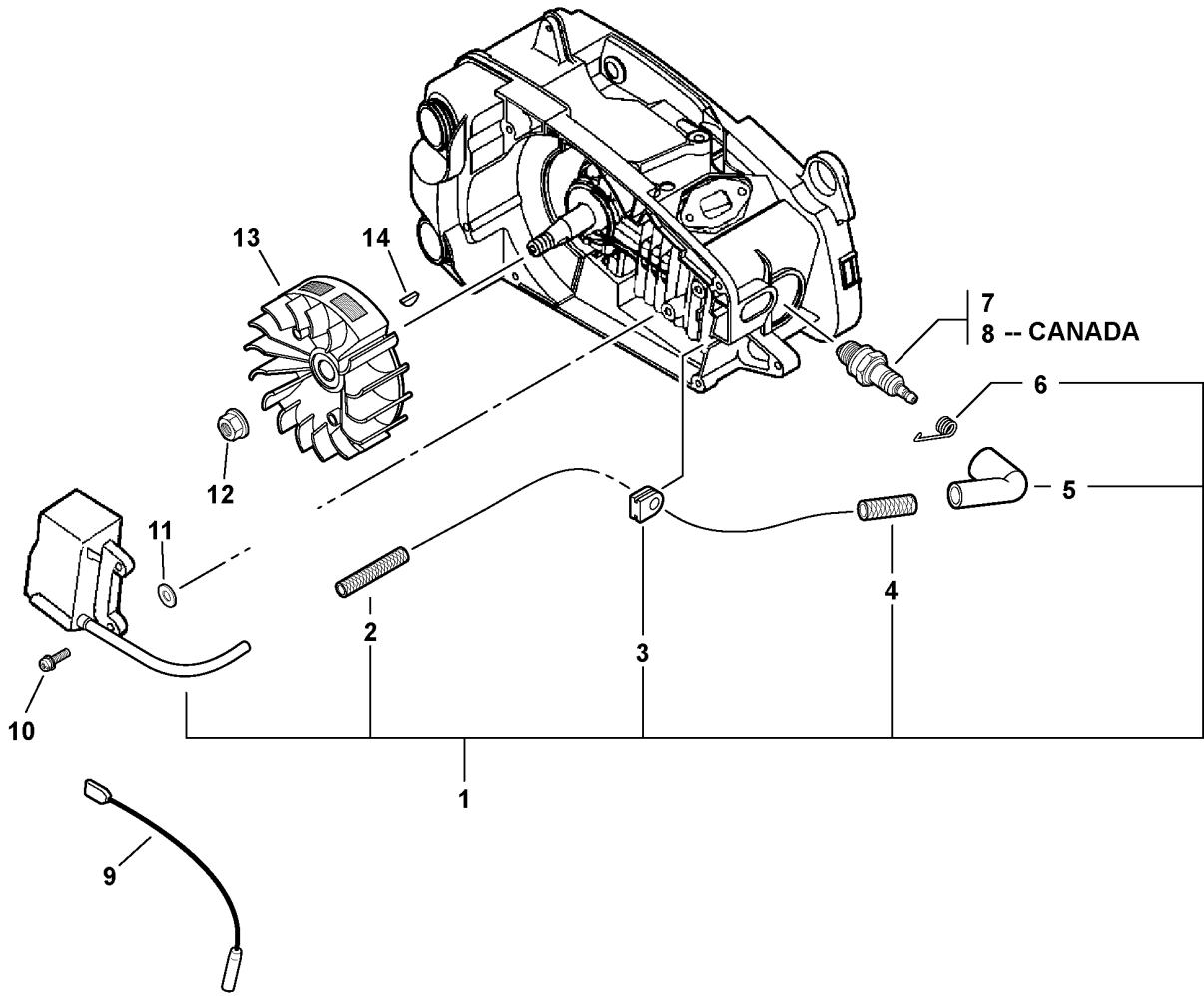


017 0003 000

ITEM	PART NUMBER	QTY	DESCRIPTION	REMARKS
1	V470000690	1	PIPE, FUEL	
2	V186000020	1	CONNECTOR	
3	V470000710	1	FUEL PIPE ASY	
4	13201309820	1	CLIP	
5	13120507320	1	FILTER, FUEL ¹	
6	A356000030	1	VENT ASY	
7	V137000000	1	GROMMET	
8	90072400004	1	O-RING	
9	43611413930	1	VALVE, CHECK	
10	P021005591	1	CAP ASY - ORANGE	INCLUDES ITEMS 11-12
11	90072000018	1	O-RING	
12	A365000050	1	CONNECTOR, CAP	
13	P021005581	1	CAP ASY - BLACK	INCLUDES ITEMS 14-15
14	90072000018	1	O-RING	
15	A365000050	1	CONNECTOR, CAP	
16	P021001980	1	AUTO-OILER ASY	INCLUDES ITEMS 17-18
17	C022000000	1	AUTO-OILER	
18	V652000010	1	GEAR, WORM	
19	90023804012	2	SCREW 4X12	
20	43620502832	1	FILTER, OIL	
21	13211501461	1	GROMMET	
22	13011005260	1	PIPE, IMPULSE - 3X5X185mm	REPOWER BULK OPTION: 90014
23	13201326630	2	CLIP	
24	V471000760	1	PIPE, OIL - 3X6X90mm	

Footnotes

1: Also Included In REPOWER TUNE-UP KIT

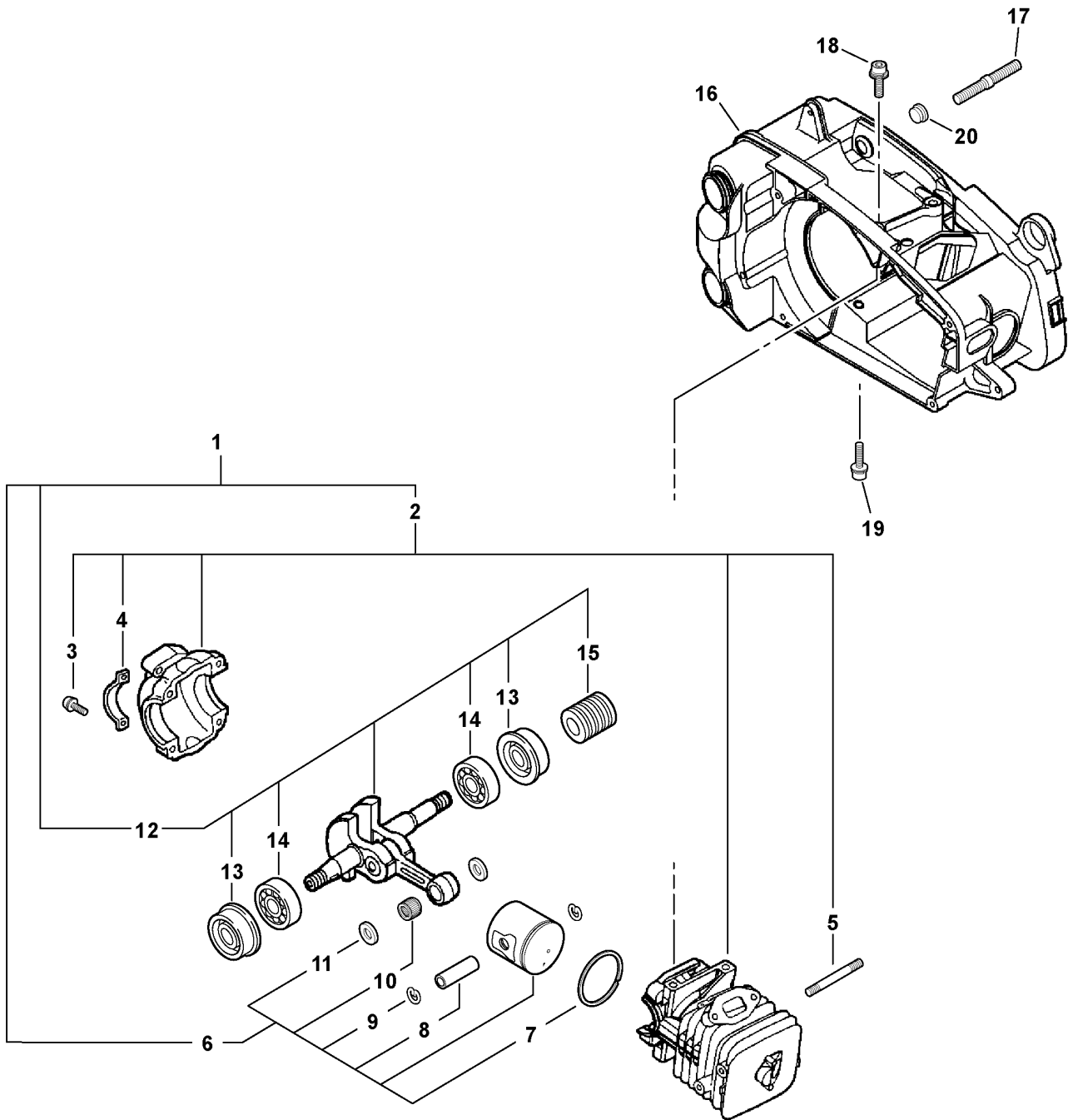


018 0004 000

ITEM	PART NUMBER	QTY	DESCRIPTION	REMARKS
1	A411000242	1	COIL KIT	INCLUDES ITEMS 2-6
2	P003001450	1	TUBE, INSULATOR	
3	15611004920	1	BUSHING	
4	P003001440	1	TUBE, INSULATOR	
5	A427000020	1	CAP, SPARK PLUG	
6	A426000020	1	TERMINAL, SPARK PLUG CAP	
7	15901019830	1	SPARK PLUG -- BPM-8Y ¹	
8	A425000000	1	SPARK PLUG -- BPMR-8Y ¹	
9	V485000590	1	LEAD, IGNITION	
10	90023805022	2	SCREW 5X22	
11	15011716430	2	SPACER	
12	90051500008	1	FLANGE NUT	
13	A409000241	1	FLYWHEEL	
14	10014212330	1	WOODRUFF KEY	

Footnotes

1: Also Included In REPOWER TUNE-UP KIT



SB1085 0000 ORG

ITEM	PART NUMBER	QTY	DESCRIPTION	REMARKS
1	SB1085	1	SHORT BLOCK	INCLUDES ITEMS 2-15
2	P021008952	1	CRANKCASE KIT	INCLUDES ITEMS 3-5
3	9112805025	4	SCREW 5X25	
4	V150001670	2	BRACKET, CRANKCASE	
5	V223000000	2	BOLT, STUD	
6	P021008980	1	PISTON KIT	INCLUDES ITEMS 7-11
7	10001116131	1	RING, PISTON	
8	10001315330	1	PIN, PISTON	
9	10001504630	2	CIRCLIP, PISTON PIN	
10	V553000040	1	BEARING, NEEDLE	
11	10001460930	2	SPACER, PISTON PIN	
12	P021008992	1	CRANKSHAFT ASY	INCLUDES ITEMS 13-15
13	V505000010	2	OIL SEAL	
14	9403536201	2	BEARING, BALL - 6201	
15	V652000010	1	GEAR, WORM	
16	A190000790	1	COVER, ENGINE - ORANGE	
17	V224000030	2	STUD, GUIDE BAR	
18	90010605020	2	SCREW 5X20	
19	90010605030	2	SCREW 5X30	
20	16391130130	1	PLUG	

ADVERTENCIA PELIGRO
 Esta unidad puede ser peligrosa y producir lesiones personales graves si no se usa en forma adecuada. Para reducir el riesgo de lesiones, los operadores, los ayudantes y los espectadores deben leer y comprender el Manual Del Operador y los Manuales e guidad que se entregan escritos en español.

GUIDE BAR	CHAIN	REPLACEMENT BAR AND CHAIN
PART NO.	TYPE	LINKS
12" 12A0E03745	OREGON 91VG 45	
14" 14A0E03762	OREGON 91VG 52	
16" 16A0E03767	OREGON 91VG 57	

Note: There may be other replacement components for achieving kickback protection. For details, please refer to the bar and chain combination sheet shown in the instruction manual.

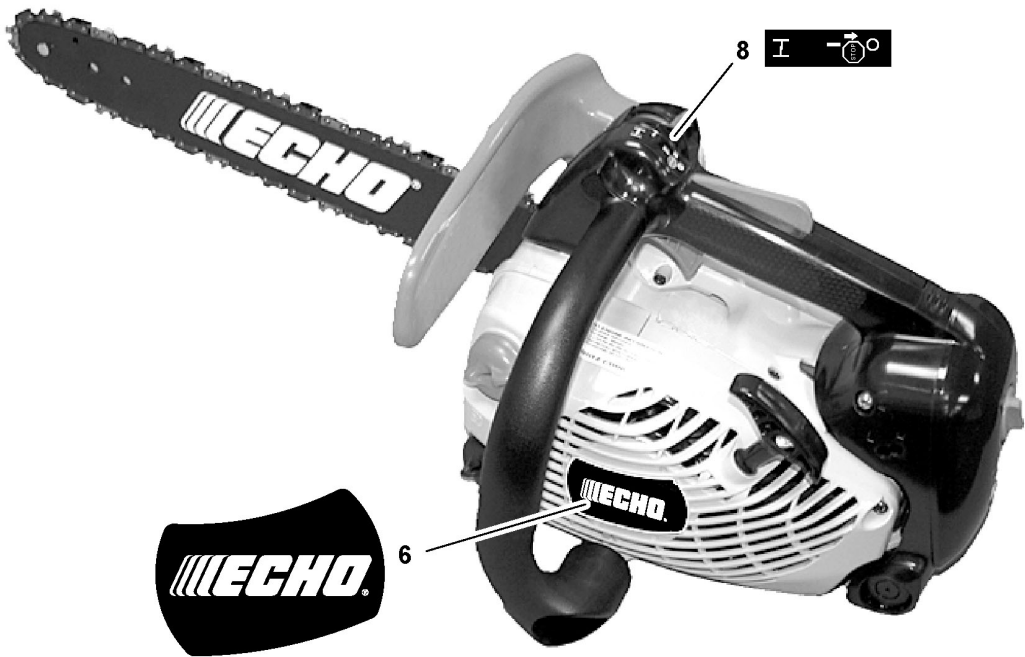
CS-360T
WARNING! Read and follow all safety precautions in the instruction manual. Failure to follow instructions could result in serious personal injury.

TO AVOID KICKBACK
 1. Hold the chain saw firmly with both hands.
 2. Don't let the nose of the guide bar contact any obstruction.
 3. Tip contact may suddenly move the guide bar upward and backward, which may cause serious injury.

WARNING
 Lesen bitte immer die Anweisung, wenn dieses Sägegerät benutzt wird, und diese Anweisungen richtig einhalten. Ein Verstoß gegen diese Anweisungen kann zu schweren Verletzungen führen.
 Diese Säge ist ein Risiko für den Benutzer, wenn sie nicht richtig verwendet wird. Wenn sie nicht richtig verwendet wird, kann sie zu schweren Verletzungen führen. Bitte lesen Sie die Anweisungen und halten Sie sich strikte daran. Versuchen Sie nicht, die Säge zu überfordern, da dies zu schweren Verletzungen führen kann.



ECHO
CS-360T

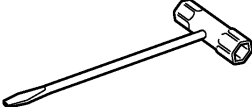
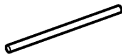

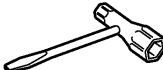







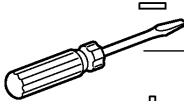
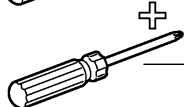



100 0037 0US

CS-330T Chain Saw

Labels

ITEM	PART NUMBER	QTY	DESCRIPTION	REMARKS
1	89022839131	1	LABEL, CAUTION	
2	X524001710	1	LABEL, BAR & CHAIN	
3	X503006530	1	LABEL - MODEL -- CS-330T	
4	X505002060	1	LABEL, WARNING	
5	X505002310	1	LABEL - CAUTION -- HOT	
6	89019130131	1	LABEL -- KICK BACK	
7	X503006550	1	LABEL - MODEL -- CS-330T	
8	X524001450	1	LABEL - STOP	
9	X502000620	1	LABEL - ECHO	

	<u>1 - 89541010630 -- 17X19mm</u>		<u>12 - 89751801131 -- 5X120mm</u>
	<u>2 - X602000020 -- 17X19mm</u>		<u>13 - 89541220960 -- 10mm</u>
	<u>3 - 89541039131 -- 10X19mm</u>		<u>14 - 89561203430 -- 3mm</u>
	<u>4 - 89541006960 -- 13X19mm</u>		<u>15 - 89561000130 -- 4mm</u>
	<u>5 - X602000031 -- 17X14.5mm</u>		<u>16 - 89561100330 -- 5mm</u>
	<u>6 - 89511200330 -- 8X10mm</u>		<u>17 - X605000060 -- T27</u>
	<u>7 - 89512220960 -- 17X19mm</u>		
	<u>8 - 89501505260 -- 10mm</u>		
	<u>9 - 89581100130 -- 125mm</u>		
	<u>10 - 89581203930 -- 50mm</u>		
	<u>11 - 89757005560</u>		

Consult Your Owners Manual - Consulte a sus dueños manuales

200 0001 000

ITEM	PART NUMBER	QTY	DESCRIPTION	REMARKS
1	89541010630	1	SOCKET WRENCH/SCREWDRIVER	17X19mm
2	X602000020	1	SOCKET WRENCH/SCREWDRIVER	17X19mm
3	89541039131	1	SOCKET WRENCH/SCREWDRIVER	10X19mm
4	89541006960	1	SOCKET WRENCH/SCREWDRIVER	13X19mm
5	X602000031	1	SOCKET WRENCH	17X14.5mm
6	89511200330	1	OPEN END WRENCH	8X10mm
7	89512220960	1	OPEN END WRENCH	17X19mm
8	89501505260	1	OPEN END WRENCH	10mm
9	89581100130	1	SCREWDRIVER	125mm SLOT HEAD
10	89581203930	1	SCREWDRIVER	50mm CROSS HEAD
11	89757005560	1	CHUCK KEY	
12	89751801131	1	LOCKING ROD	5X120mm
13	89541220960	1	HEX BAR	10mm
14	89561203430	1	HEX KEY	3mm
15	89561000130	1	HEX KEY	4mm
16	89561100330	1	HEX KEY	5mm
17	X605000060	1	TORX KEY	T27



Part Number Index

Click The Page Number After Any Part Number To View The Diagram Containing That Part.

Part Number	Page	Part Number	Page	Part Number	Page
-----	5, 7	90025304012	11, 17	P003001380	7
10001116131	25	90025304016	9	P003001390	7
10001315330	25	90025305020	11, 17	P003001400	7
10001460930	25	90025604016	17	P003001410	7
10001504630	25	90033030260	11	P003001440	23
10014212330	23	90050000005	9	P003001450	23
10091060030	17	90051500008	23	P021001980	21
10091532530	17	90056250005	11	P021005581	21
10091815130	17	90060300005	19	P021005591	21
10092139130	17	90072000018	21	P021005810	15
12311003930	7	90072400004	21	P021008952	25
12311337530	7	9112805025	25	P021008980	25
12311403930	7	9131805032	11	P021008992	25
12311405260	7	9136704012	9	P021009003	17
12311610530	7	9148104035	17	P021016470	11
12312052131	7	91VG52CCQ	13	P022005890	19
12312203660	7	9228005000	9	P022005900	19
12312715030	7	9305030098	11	P022010440	19
12313002960	7	9403536201	25	P022010451	19
12313304260	7	A021001110	7	SB1085	25
12313903930	7	A051001330	19	V104000680	9
12314926030	7	A056000070	15	V137000000	21
13002033330	17	A127000220	17	V150001670	25
13011005260	21	A172000510	19	V186000020	21
13120507320	21	A190000790	25	V202000020	17
13201309820	21	A202000051	17	V202000040	19
13201326630	21	A204000072	5	V203000041	11
13211501461	21	A226000291	5	V223000000	25
14564213930	9	A232000290	5	V224000030	25
14A0ED3752	13	A235000040	5	V351000000	17
15011716430	23	A239000000	17	V352000020	17
15611004920	23	A240000010	17	V353000060	11
15901019830	23	A253000043	17	V355000140	11
16201055930	17	A300000551	9	V359000060	17
16391130130	25	A301000020	9	V376000450	11
17500539132	15	A310000030	9	V376000740	9
17501200831	15	A313000710	9	V400000021	17
17501439131	15	A313000721	9	V450000070	11
17723435430	19	A320000322	9	V451000470	15
17723644330	19	A320000490	9	V452000010	17
17724704630	19	A356000030	21	V452000110	11
2894901	13	A365000050	21	V470000481	17
43301903933	11	A409000241	23	V470000690	21
43302635430	11	A411000242	23	V470000710	21
43311635430	11	A425000000	23	V471000760	21
43316739130	11	A426000020	23	V485000340	17
43611413930	21	A427000020	23	V485000590	23
43620502832	21	A514000020	19	V486000010	17
89019130131	27	A551000010	15	V505000010	25
89022839131	27	A552000020	15	V553000040	25
89501505260	29	C022000000	21	V651000001	11
89511200330	29	C300000420	11	V651000011	11
89512220960	29	C304000000	11	V652000010	21, 25
89541006960	29	C305000080	11	X502000620	27
89541010630	29	C309000030	11	X503006530	27
89541039131	29	C320000190	11	X503006550	27
89541220960	29	C328000030	11	X505002060	27
89561000130	29	C334000070	11	X505002310	27
89561100330	29	C345000310	11	X524001450	27
89561203430	29	C400000370	17	X524001710	27
89581100130	29	C450000010	17	X602000020	29
89581203930	29	C454000070	17	X602000031	29
89751801131	29	C460000002	17	X605000060	29
89757005560	29	C626000040	17		
90010505014	19	C646000050	17		
90010605020	25	P003000010	7		
90010605030	25	P003000140	7		
90016204025	17	P003000160	7		
90023804012	21	P003000240	7		
90023805012	17	P003000250	7		
90023805022	23	P003000380	7		
90023805050	5	P003001140	7		
90025304010	11	P003001300	7		



Part Description Index

Click The Page Number After Any Part Description To View The Diagram Containing That Part.

A

ADAPTOR.....17
 AUTO-OILER.....21
 AUTO-OILER ASY.....21

B

BAND, BRAKE.....11
 BEARING, BALL - 6201.....25
 BEARING, NEEDLE.....15, 25
 BELLOWS, INTAKE.....17
 BODY, CARBURETOR.....7
 BOLT.....17
 BOLT 5.....11
 BOLT, STUD.....25
 BRACKET, CRANKCASE.....25
 BRACKET, HARNESS.....17
 BUMPER, SPIKED.....11
 BUSHING.....23

C

CAP.....17
 CAP ASY - BLACK.....21
 CAP ASY - ORANGE.....21
 CAP, MIXTURE LIMITER.....7
 CAP, SPARK PLUG.....23
 CARBURETOR.....5
 CARBURETOR -- WT-739.....7
 CATCHER, CHAIN.....11
 CHAIN BRAKE ASY.....11
 CHUCK KEY.....29
 CIRCLIP.....7
 CIRCLIP, PISTON PIN.....25
 CLIP.....21
 CLUTCH ASY.....15
 CLUTCH SHOE SET.....15
 COIL KIT.....23
 COLLAR.....11, 17
 CONNECTOR.....21
 CONNECTOR, BRAKE.....11
 CONNETOR, CAP.....21
 COVER, BRAKE - ORANGE.....11
 COVER, DUST - ORANGE.....17
 COVER, ENGINE - ORANGE.....25
 COVER, FAN.....19
 COVER, FUEL PUMP.....7
 COVER, METERING DIAPHRAGM.....7
 COVER, MUFFLER - GRAY.....9
 COVER, MUFFLER - ORANGE.....9
 CRANKCASE KIT.....25
 CRANKSHAFT ASY.....25
 CUSHION.....17

D

DIAPHRAGM, FUEL PUMP.....7
 DIAPHRAGM, METERING.....7
 DRUM, CLUTCH.....15
 DRUM, STARTER.....19

E

EYE PLATE.....9

F

FILTER, AIR.....5
 FILTER, FUEL.....21
 FILTER, OIL.....21
 FLANGE NUT.....11, 23
 FLANGE NUT 5.....11
 FLYWHEEL.....23
 FUEL PIPE ASY.....21

G

GASKET, EXHAUST.....9
 GASKET, FUEL PUMP.....7
 GASKET, METERING DIAPHRAGM.....7
 GASKET/DIAPHRAGM KIT.....7
 GEAR, BEVEL.....11
 GEAR, WORM.....21, 25
 GRIP, STARTER.....19
 GROMMET.....21
 GUARD, SPROCKET - ORANGE.....11
 GUIDE BAR - 14" -- Pro 91.....13
 GUIDE, EXHAUST.....9

H

HANDLE, FRONT.....17
 HEX BAR.....29
 HEX KEY.....29
 HUB, CLUTCH.....15

K

KICK GUARD KIT.....13
 KNOB, AIR CLEANER LID.....5

L

LABEL - CAUTION -- HOT.....27
 LABEL - ECHO.....27
 LABEL -- KICK BACK.....27
 LABEL - MODEL -- CS-330T.....27
 LABEL - STOP.....27
 LABEL, BAR & CHAIN.....27
 LABEL, CAUTION.....27
 LABEL, WARNING.....27
 LEAD, GROUND.....17
 LEAD, IGNITION.....17, 23
 LEVER, BRAKE - BLACK.....11
 LEVER, CHOKE.....17
 LEVER, FAST IDLE.....7
 LEVER, METERING.....7
 LEVER, THROTTLE.....7
 LID, AIR CLEANER.....5
 LOCKING ROD.....29
 LOCKOUT, THROTTLE.....17

M

MOUNT, AIR FILTER.....5
 MUFFLER.....9

N

NEEDLE, ADJUSTMENT.....7
 NUT.....9, 17

O

OIL SEAL.....25
 OPEN END WRENCH.....29
 O-RING.....21

P

PAWL.....19
 PIN, METERING LEVER.....7
 PIN, PISTON.....25
 PIPE.....17
 PIPE, FUEL.....21
 PIPE, IMPULSE - 3X5X185mm.....21
 PIPE, OIL - 3X6X90mm.....21
 PISTON KIT.....25
 PLATE, CLUTCH.....15
 PLATE, SPROCKET GUARD.....11
 PLUG.....25
 PLUG, WELCH.....7

R

REAR HANDLE SET.....17
 REPAIR KIT.....7
 REWIND SPRING KIT.....19
 RING, HARNESS.....17
 RING, PISTON.....25
 ROD, CHOKE.....17
 ROD, THROTTLE.....17
 ROLLER.....11
 ROPE, STARTER - 3X920mm.....19

S

SAWING CHAIN - 14" -- XtraGUARD.....13
 SCREEN.....9
 SCREEN, INLET.....7
 SCREW.....7, 17, 19
 SCREW 4X10.....11
 SCREW 4X12.....9, 21
 SCREW 4X12 - TAPPING.....11, 17
 SCREW 4X16.....17
 SCREW 4X16 - TAPPING.....9
 SCREW 4X25.....17
 SCREW 4X35 - TAPPING.....17
 SCREW 5X12.....17
 SCREW 5X14.....19
 SCREW 5X20.....25
 SCREW 5X20 - TAPPING.....11, 17
 SCREW 5X22.....23
 SCREW 5X25.....25
 SCREW 5X30.....25
 SCREW 5X32.....11
 SCREW 5X50.....5
 SCREW, IDLE ADJUST.....7
 SCREW, PUMP COVER.....7
 SCREW, THROTTLE VALVE.....7
 SCREWDRIVER.....29
 SHAFT, CHOKE.....7
 SHAFT, THROTTLE.....7
 SHORT BLOCK.....25
 SOCKET WRENCH.....29
 SOCKET WRENCH/SCREWDRIVER.....29
 SPACER.....9, 11, 19, 23
 SPACER 8X12X9.....11
 SPACER, PISTON PIN.....25



Part Description Index (continued)

SPARK PLUG -- BPM-8Y.....23
SPARK PLUG -- BPMP-8Y.....23
SPRING.....11
SPRING, CHOKE RETURN.....7
SPRING, CLUTCH.....15
SPRING, IDLE ADJUST.....7
SPRING, METERING LEVER.....7
SPRING, RETURN.....19
SPRING, THROTTLE RETURN.....7
SPRING, THROTTLE TRIGGER.....17
STARTER ASY - ORANGE.....19
STUD, GUIDE BAR.....25

T

TENSIONER, CHAIN.....11
TERMINAL, LEAD.....17
TERMINAL, SPARK PLUG CAP.....23
TORX KEY.....29
TRIGGER, THROTTLE.....17
TUBE, INSULATOR.....23

V

VALVE, CHECK.....21
VALVE, CHOKE.....7
VALVE, INLET NEEDLE.....7
VALVE, THROTTLE.....7
VENT ASY.....21

W

WASHER.....7, 9, 15, 19
WOODRUFF KEY.....23

NOTES



ECHO, INCORPORATED

400 Oakwood Road
Lake Zurich, IL 60047 USA

WWW.ECHO-USA.COM
