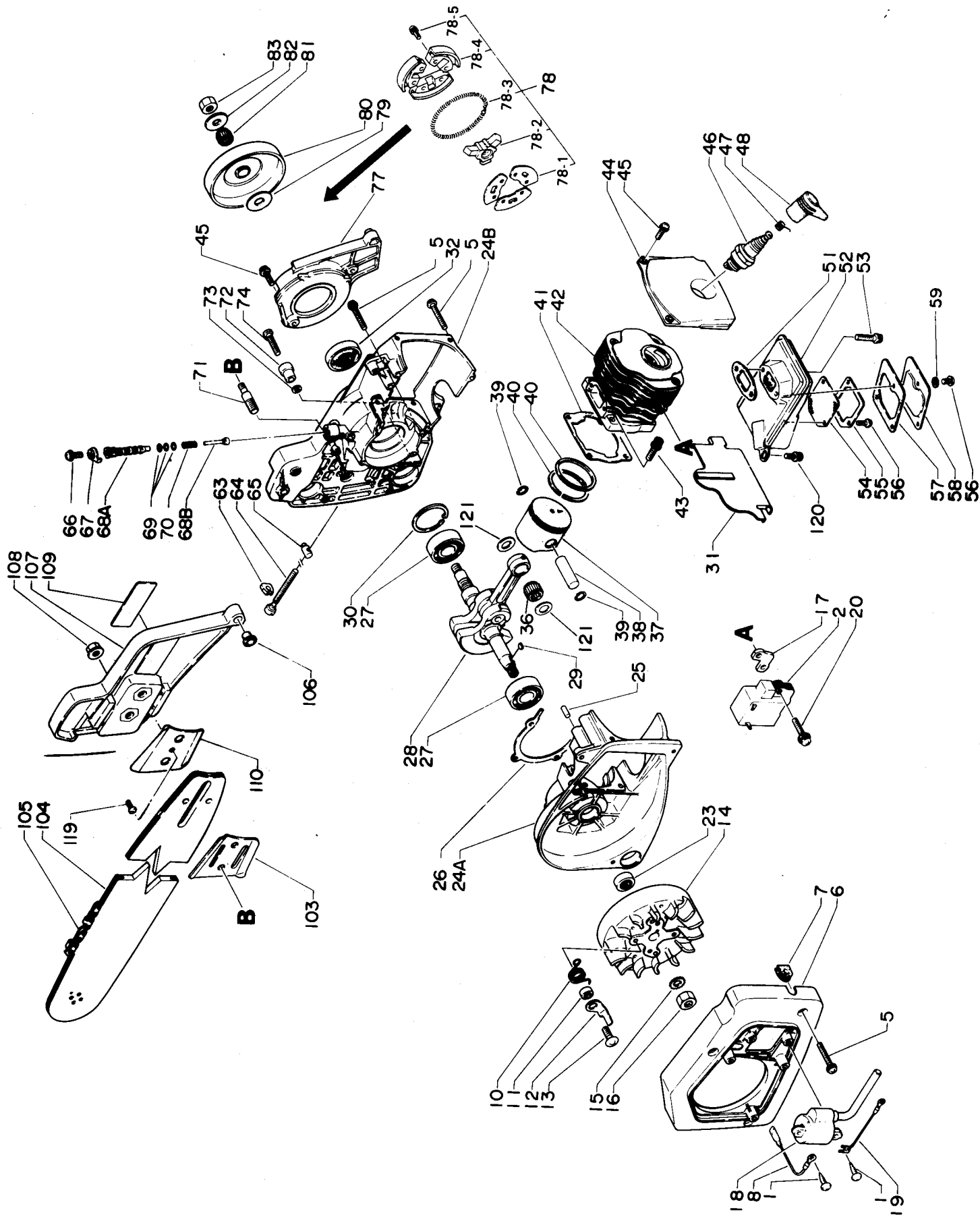




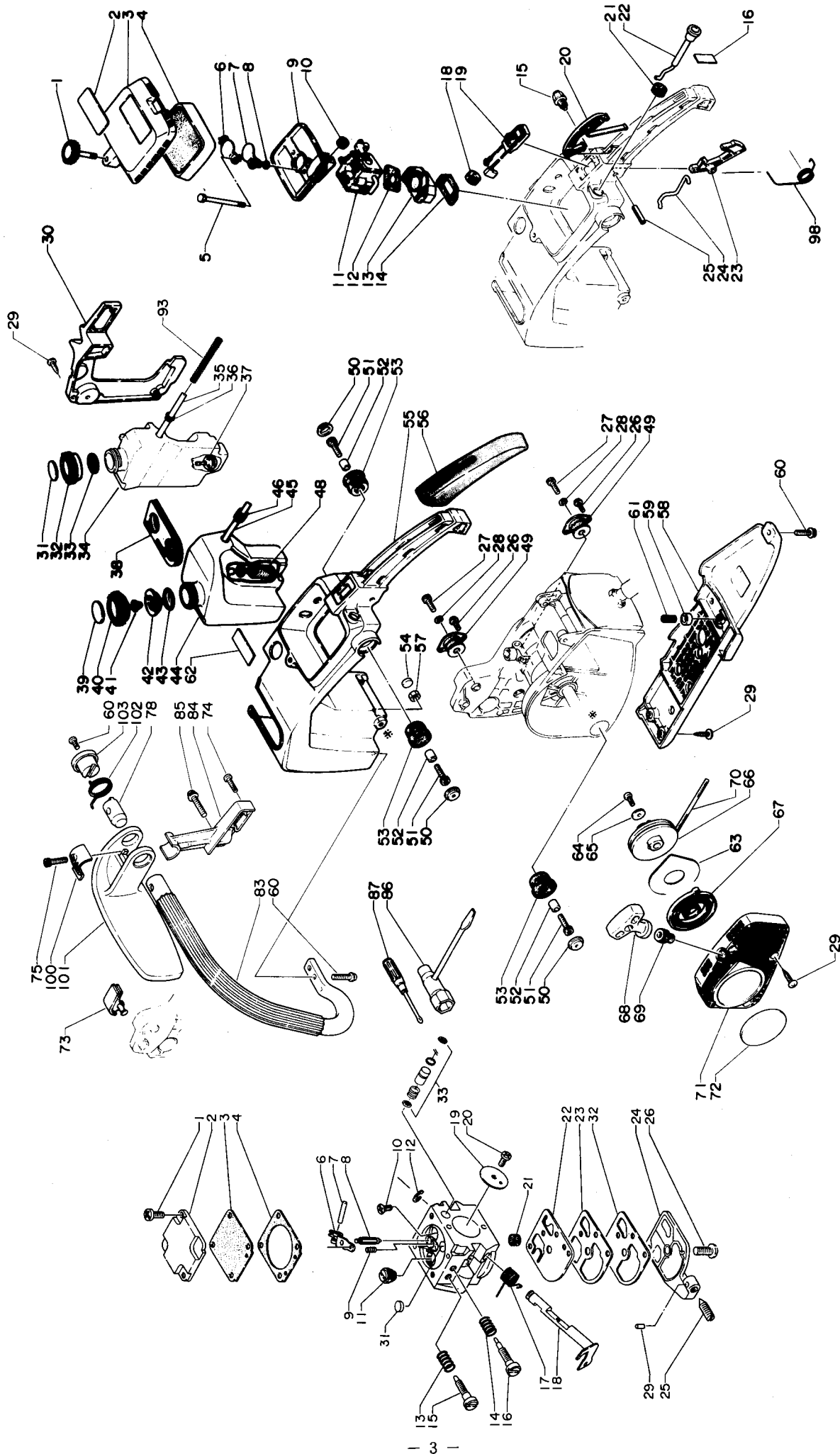
PARTS CATALOGUE

ECHO CHAIN SAW CS-330EVL CS-330EVL P





Key No.	Part No.	Q'ty	Description	Key No.	Part No.	Q'ty	Description
1- 1	900 249-0401 6	2	Tapping screw	1-69	-437 020-0283 0	3	O-ring
2	156 601-1583 0	1	CDI module	70	-437 019-0283 0	1	Coil spring
5	900 242-0403 0	9	Screw 4x30	71	433 011-1453 0	2	Stud
6	101 511-1583 0	1	Fan cover	72	433 000-1283 0	1	Chain catcher
7	150 110-0151 0	1	Grommet	73	-900 600-0000 5	1	Washer 5
8	156 630-1583 0	1	Lead	74	-900 220-0502 5	1	Screw 5x25
10	177 234-0393 1	2	Spring	77	175 310-1513 0	1	Seal plate
11	177 247-0393 2	2	Spacer	78	175 000-0393 1	1	Clutch ass'y
12	177 218-1513 0	2	Ratchet	78-1	-175 019-1983 0	1	Side plate
13	177 217-1453 0	2	Screw	78-2	-175 016-0393 1	1	Boss, clutch
14	156 801-1583 0	1	Flywheel	78-3	-175 018-1983 0	1	Spring
15	900 611-0000 8	1	Lock washer 8	78-4	-175 002-1983 0	1set	Shoe
16	900 500-0000 8	1	Nut 8	78-5	-900 281-0400 8	6	Screw
17	152 617-1513 0	1	Spacer	79	175 015-0393 0	1	Washer
18	156 626-1583 0	1	Ignition coil	80	175 005-1153 0	1	Clutch case 3/8
19	156 635-1583 0	1	Ground lead	81	175 012-0393 0	1	Needle bearing
20	159 314-1513 0	2	Screw	82	175 014-1153 0	1	Washer
23	100 212-1123 0	1	Oil seal	83	100 139-0393 0	1	Lock nut
24	100 200-1513 2	1	Crankcase set	103	433 013-1453 2	1	Side plate
25	-100 215-0393 0	2	Knock pin	104		1	Guide bar
26	100 242-1513 0	1	Gasket, crankcase	105		1	Chain
27	900 810-0620 1	2	Ball bearing 6201	106	433 030-1463 0	1	Knock
28	100 100-1513 2	1	Crankshaft	107	433 005-1513 2	1	Guard, sprocket
29	100 142-1233 0	1	Woodruff key	108	433 019-0393 3	2	Flange nut
30	900 702-0003 2	1	Circlip 32	109	890 118-1833 1	1	Label, ECHO
31	100 270-1653 0	1	Insulator	110	433 012-1453 3	1	Side plate
32	100 213-0393 0	1	Oil seal	119	900 258-0300 8	1	Screw
36	100 012-1613 1	1	Needle bearing	120	900 162-0401 2	1	Bolt, H. S, 4 x 12
37	100 010-1583 0	1	Piston	121	100 014-1973 0	2	Spacer, piston pin
38	100 013-1973 0	1	Piston pin				
39	100 015-0393 0	2	Circlip				
40	100 011-1333 0	2	Piston ring				
41	101 010-1513 1	1	Gasket, cylinder				
42	101 011-1513 0	1	Cylinder				
43	900 162-0502 0	4	H.S.H bolt 5x20				
44	101 514-1513 0	1	Cylinder cover				
45	900 242-0401 2	5	Screw 4x12				
46	159 010-1063 0	1	Spark plug BM-6A				
47	159 011-0343 2	1	Coil spring				
48	159 012-0343 3	1	Cap.spark plug				
51	145 510-0393 1	1	Gasket				
52	145 805-1513 1	1	Muffler				
53	900 106-0503 5	2	H.S.H. bolt 5x35				
54	145 862-1513 0	1	Screen				
55	145 863-1513 0	1	Screen holder				
56	900 220-0400 6	5	Screw 4x6				
57	145 866-1513 1	1	Gasket, lid				
58	145 861-1513 0	1	Lid				
59	900 610-0000 4	3	Lock washer 4				
63	433 028-1103 0	1	Clip				
64	433 016-1103 1	1	Adjusting screw				
65	433 014-0393 2	1	Tensioner				
66	900 220-0501 0	1	Screw 5x10				
67	437 059-1113 3	1	Lock washer				
68	437 000-0343 0	1	Auto, oiler assy				
				Remarks: 24: includes 25 68: includes 69 and 70 72: includes 73 and 74			



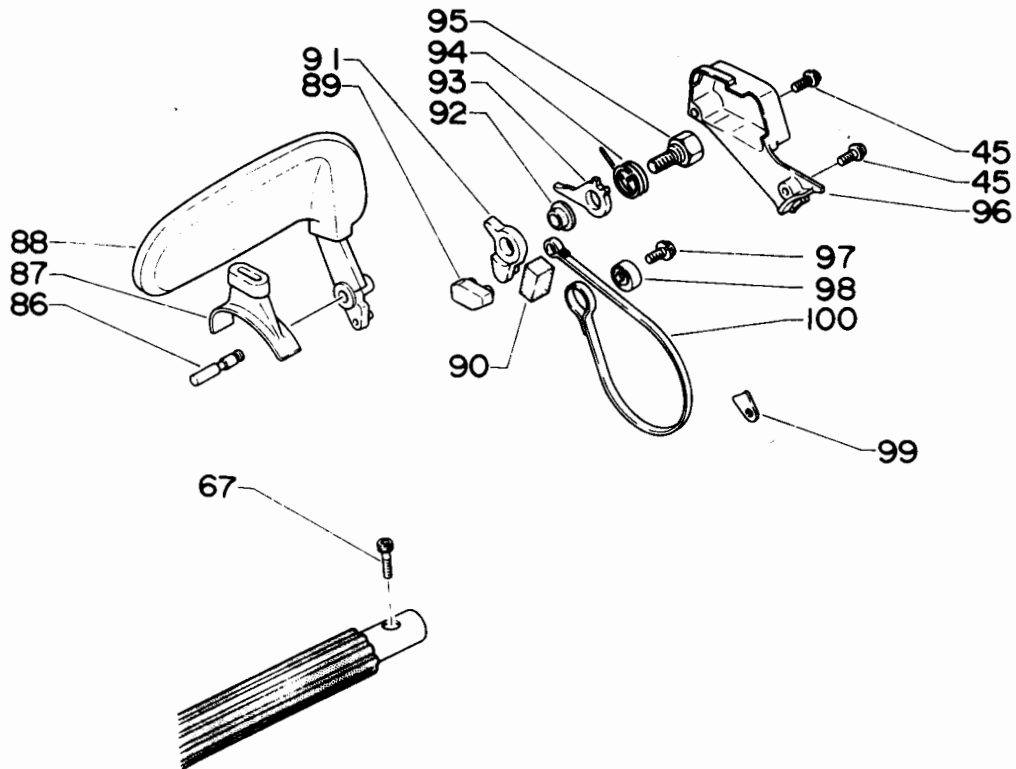
Key No.	Part No.	Q'ty	Description	Key No.	Part No.	Q'ty	Description
2- 2	890 151-1513 2	1	Label	2-			
3	130 308-1513 0	1	Air cleaner cover	48	131 205-1493 0	1	Fuel strainer
1	-130 411-1383 0	1	Thumb bolt	49	100 921-1513 0	2	Side cushion
4	130 310-1513 0	1	Air filter	50	100 918-1513 0	3	Cap
5	130 021-0393 0	2	Bolt	51	900 105-0402 0	3	H.S.H. bolt 4x20
6	129 011-1113 1	1	Plate	52	100 915-1513 1	3	Cushion supporter
7	178 515-1513 0	1	Choke shutter	53	100 910-1513 1	3	Cushion
8	178 516-1513 0	2	Spacer	54	351 141-1513 0	1	Spacer
9	130 314-1973 0	1	Body, air filter	55	351 905-1583 0	1	Rear handle
10	178 810-1973 0	1	Grommet	56	351 111-1513 0	1	Grip
11	125 200-1513 4	1	Carburetor	57	900 508-0000 4	1	Nut 4
12	130 016-0393 2	1	Gasket	58	351 011-1513 2	1	Supporter
13	130 017-0393 1	1	Insulator	59	100 251-1513 0	1	Stopper
14	130 010-0393 2	1	Gasket	60	900 242-0502 0	4	Screw 5x20
15	178 302-1233 0	1	Throttle latch	61	433 146-1113 0	1	Coil spring
16	890 121-1233 1	1	Label, choke	62	890 176-1303 1	1	Label, noise
18	150 614-0291 0	1	Grommet	***	177 200-1513 2	1	Recoil starter ass'y
19	163 400-1583 0	1	Stop switch	63	-177 242-1513 0	1	Side plate
20	178 090-1513 0	1	Throttle control lockout	64	-900 242-0401 2	1	Screw
21	178 811-1513 0	1	Grommet	65	-900 603-0000 4	1	Washer
22	178 510-1513 0	1	Choke rod	66	-177 215-1973 0	1	Recoil drum
23	178 010-1513 2	1	Throttle trigger	67	-177 220-1973 0	1	Rewind spring
24	178 011-1513 1	1	Throttle rod	68	-177 228-1983 0	1	Grip
25	900 340-5002 5	1	Spring pin 5x25	69	-177 227-0502 0	1	Rope guide
26	900 242-0401 0	4	Screw 4x10	70	-177 226-0393 0	1	Recoil rope
27	900 105-0401 2	2	H.S.H. bolt 4x12	71	-177 209-1513 0	1	Case
28	900 605-0000 4	2	Spring washer 4				
29	900 249-0401 6	9	Tapping screw	72	890 112-1783 1	1	Label
30	352 105-1513 0	1	Supporter	73	100 612-1233 2	1	Cover
	436 002-1363 0	1	Cap ass'y oil tank	74	900 249-0402 2	1	Tapping screw 4x22
31	-890 153-1143 0	1	Label, chain oil	75	900 242-0503 5	1	Screw 5x35
32	-436 000-1233 0	1	Cap	83	351 205-1513 0	1	Front handle
33	-436 012-1233 0	1	Gasket	78	-351 617-1023 0	1	Insert
34	436 010-1513 0	1	Oil tank	84	351 217-1513 0	1	Supporter
35	437 205-1513 0	1	Pipe w/grommet	85	900 242-0503 0	1	Screw 5x30
36	-132 115-1113 0	1	Grommet	86	895 410-0393 0	1	Wrench
37	436 205-1473 0	1	Oil strainer	87	895 812-0393 0	1	Driver
38	131 038-1513 0	1	Connector	93	437 412-1513 0	1	Coil spring, oil pipe
**	131 600-1233 2	1	Cap ass'y, fuel mix	98	178 043-1513 0	1	Spring, return
39	-890 154-1513 0	1	Label, fuel mix	100	351 840-1513 0	1	Stopper
40	-131 017-1233 0	1	Cap	101	351 826-1433 0	1	Hand guard, front
41	-131 314-0033 0	1	Check valve	102	351 836-1513 0	1	Spring, guard
				103	351 833-1513 0	1	Retainer
42	-131 015-1233 1	1	Holder	Remarks: 3: Includes 1 *: Consists of 31 thru 33 **: Consists of 39 thru 43 ***: Consists of 63 thru 71			
43	-900 720-0002 2	1	O-ring 22				
44	131 010-1513 1	1	Fuel tank				
45	437 205-1233 0	1	Pipe				
46	-132 115-1233 0	1	Grommet				

Key No.	Part No.	Q'ty	Description	Key No.	Part No.	Q'ty	Description
3-	125 200-1513 4	1	Carburetor assembly	3-16	-125 318-1513 0	1	Needle, idle
1	-125 344-1393 0	2	Screw	17	-125 313-1393 0	1	Return spring, throttle
2	-125 342-1513 0	1	Cover, diaphragm	18	-125 317-1513 1	1	Throttle shaft
3	-125 341-4203 0	1	Diaphragm	19	-125 316-1393 0	1	Throttle shutter
4	-125 340-4203 0	1	Gasket diaphragm	20	-125 314-1393 0	1	Screw
6	-125 323-4203 0	1	Valve arm	21	-125 326-4203 0	1	Screen
7	-125 338-1393 0	1	Arm pin	22	-125 312-1393 1	1	Diaphragm, fuel pump
8	-125 337-1393 0	1	Needle valve	23	-125 325-1393 1	1	Gasket, fuel pump
9	-125 322-1393 0	1	Coil spring	24	-125 324-1513 0	1	Pump cover
				25	-125 334-1393 0	1	Screw, idle adjustment
10	-125 339-1393 0	1	Screw	26	-125 310-1393 0	1	Screw
11	-125 376-1513 0	1	Orifice, main fuel	29	-125 378-1393 0	1	Friction piece
12	-125 327-1513 0	1	Clip	31	-125 345-1513 0	1	Welsh plug
13,14	-125 319-1393 0	2	Coil spring	32	-125 311-1513 0	1	Diaphragm, surge
15	-125 320-1513 0	1	Needle, high speed	33	-125 306-1513 0	1	Pump kit

Remark

Consists of 1 thru 33 except 27 and 28.

Chain brake type



Key No.	Part No.	Q'ty	Description
	433 100-1513 2	1	Chain brake ass'y
45	-900 242-0401 2	2	Screw 4 x 12
67	-900 242-0502 5	1	Screw 5 x 25
86	-433 113-1233 0	1	Pin
87	-433 312-1233 0	1	Cover
88	-433 105-1513 2	1	Handle
89	-433 149-1463 0	1	Reset rubber
90	-433 313-1233 0	1	Dust seal
91	-433 117-1233 0	1	Connector
92	-433 115-1233 0	1	Spacer
93	-433 119-1233 0	1	Stopper
94	-433 114-1233 0	1	Spring
95	-433 134-1233 0	1	Bolt
96	-433 310-1513 0	1	Cover
97	-900 241-0501 0	1	Screw 5 x 10
98	-433 142-1233 0	1	Adjuster
99	-433 144-1513 0	1	Retainer
100	-433 123-1513 0	1	Brake band

ECHO, INCORPORATED

400 Oakwood Road, Lake Zurich, Illinois 60047
Phone : 312-540-8400