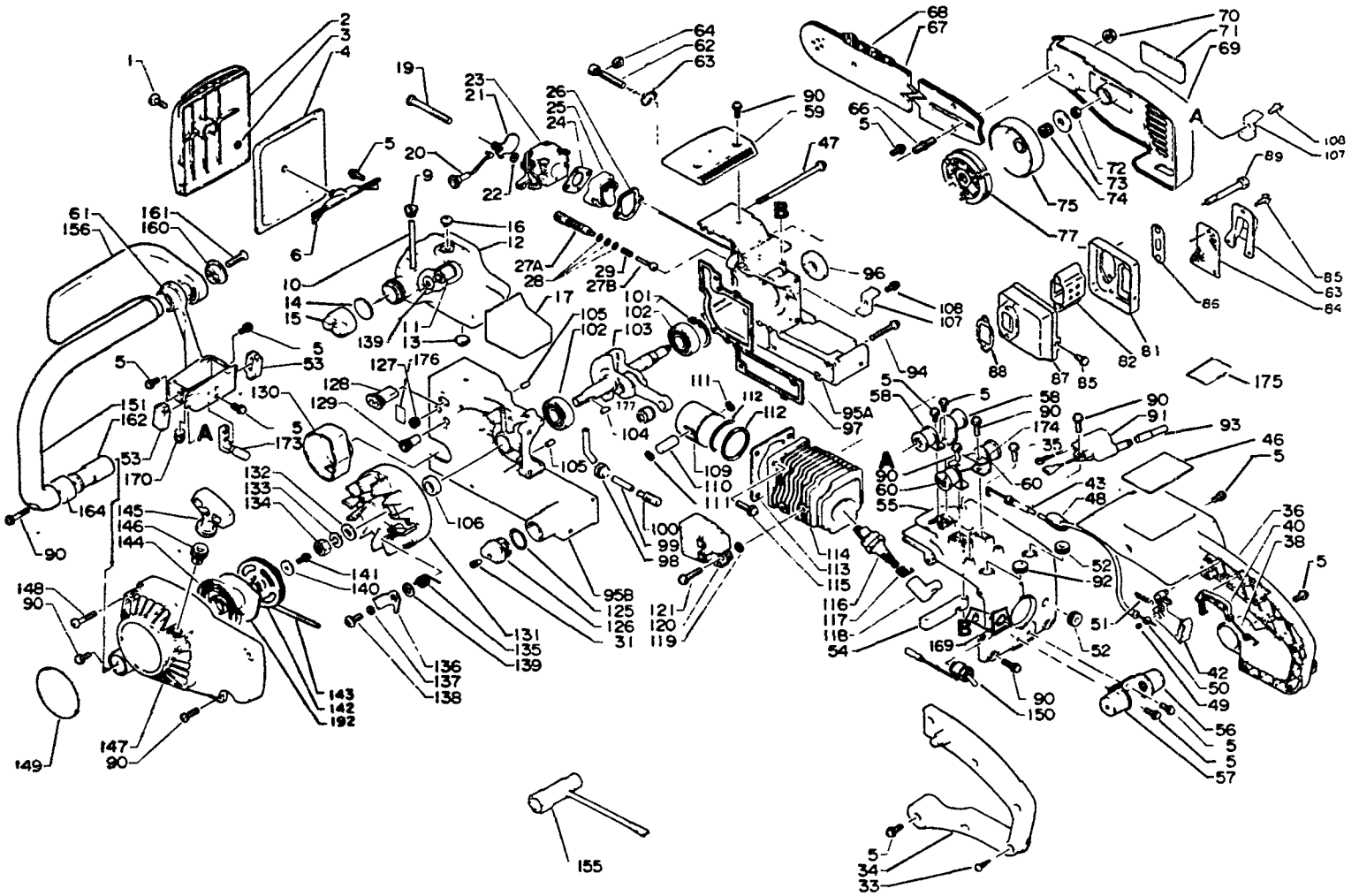




**CHAIN SAW
PART CATALOG
CS-300EVL**

**ECHO, INCORPORATED
400 OAKWOOD ROAD - LAKE ZURICH, IL 60047**

**898 612-3553 1
7/87**



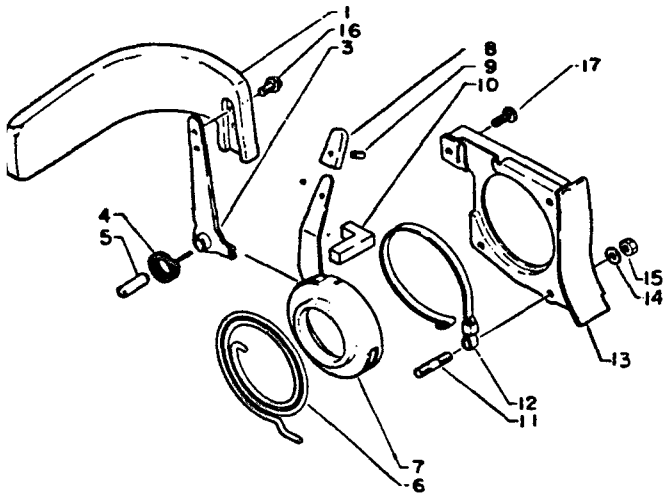
Key No.	Part No.	Q'ty	Description	Key No.	Part No.	Q'ty	Description
1- *	130 302-1503 2	1	Cover ass'y, air cleaner	1- 22	178 516 0393 0	1	Spacer
1	-130 406-1393 2	1	Thumb bolt	23	125 200-1393 3	1	Carburetor C1S-K1C
2	-130 313-1503 2	1	Cover, air cleaner	24	130 016 0643 1	1	Gasket
3	-900 700 0000 4	1	Circlip 4	25	130 000-1393 2	1	Insulator
4	130 310 1393 0	1	Air filter	26	130 010 1393 0	1	Gasket
5	900 242-0401 0	16	Screw 4 x 10	27	437 000-1123 0	1	Auto. oiler ass'y
6	130 410-1393 2	1	Bracket, air filter	28	-437 020-0283 0	3	O-ring
9	132 115-0146 0	1	Grommet	29	-437 019-0283 0	1	Coil spring
10	132 010-1393 2	1	Fuel pipe	33	900 249-0401 6	5	Tapping screw 4 x 16
11	131 205-0083 0	1	Fuel strainer	34	351 909-1503 1	1	Rear handle (B)
12	131 010-1503 0	1	Fuel tank	36	351 110-1503 2	1	Rear handle (A)
13	100 223-1393 1	1	Cushion	38	178 091-1503 0	1	Spring
15	131 004-1393 3	1	Cap ass'y, fuel tank	40	178 090 1503 1	1	Throttle control lock out
14	-131 016 1393 1	1	Gasket, fuel tank	42	178 010-1503 1	1	Throttle trigger
16	131 314-1503 0	1	Check valve	43	178 001 1503 1	1	Throttle wire
17	131 924 1393 0	1	Cushion	46	890 161-3553 0	1	Decal
19	900 242-0505 0	2	Screw 5x50	47	100 244-1393 0	2	Screw
20	178 510-1393 0	1	Choke rod	48	178 215 1503 1	1	Grommet
21	178 515-1393 0	1	Choke shutter	49	178 068 1503 0	1	Set screw

Key No.	Part No.	Q'ty	Description	Key No.	Part No.	Q'ty	Description
1- 50	178 026 1503 0	1	Wire end	1- 109	100 010-3403 0	1	Piston
51	178 043 1503 0	1	Throttle spring	110	100 013-0393 0	1	Piston pin
52	150 112 0031 0	2	Grommet	111	100 015-0393 0	2	Circlip
53	351 134 1503 1	2	Stopper	112	100 011-0111 0	2	Piston ring
54	101 584 1503 0	1	Spacer	113	101 010-1393 0	1	Gasket, cyl base
55	101 514-3033 0	1	Cylinder cover	93	156 611-1503 0	1	Tube
56	351 907-1053 1	1	Cushion (R)	114	101 011-3553 0	1	Cylinder
57	351 107-1053 1	1	Cushion (L)	115	900 242-0502 0	4	Screw 5 x 20
59	130 348-1533 0	1	Cover, intake	116	159 010 1393 0	1	Spark plug CJ-8Y
60	351 112-1503 1	2	Cushion (U)	117	159 011 0051 0	1	Coil spring, plug cap
61	351 614 1533 0	1	Supporter	118	159 012 0162 0	1	Cap spark plug
58	351 618 1503 1	2	Cushion	119	152 117 0553 0	2	Spacer
62	433 016-1393 1	1	Adjusting screw	120	156 601-1503 0	1	C D Ignition module
63	433 014-0393 2	1	Tensioner	121	900 242-0502 2	2	Screw 5 x 22
64	433 028 1103 0	1	Clip	126	436 001-1393 4	1	Cap ass'y, oil tank
66	433 011 1393 0	2	Stud	31	-436 114 1393 0	1	Check valve (S)
67	_____	1	Guide bar	125	-900 720 0001 6	1	O-ring 16
68	_____	1	Saw chain	127	178 810 0333 0	1	Grommet
69	433 005-1393 0	1	Cover, guide bar	128	129 010 1393 0	1	Grommet
70	433 019-0393 2	2	Flange nut 6	129	129 015 1393 0	1	Grommet
71	890 118 1393 1	1	Decal	130	131 038-1393 0	1	Seal
72	100 139 0393 0	1	Nut	131	156 800 1393 0	1	Flywheel
73	175 015-1393 1	1	Washer	132	900 600 0000 8	1	Washer 8
74	175 012-0393 0	1	Needle bearing	133	900 605 0000 8	1	Spring washer 8
75	175 005-1533 0	1	Clutch case 3/8	134	900 502 0000 8	1	Nut 8
77	175 000-1393 0	1	Clutch ass'y	135	177 234 1393 0	2	Return spring
				136	177 218 1393 0	2	Ratchet
				137	177 247-0463 0	2	Spacer
				138	177 217-1393 0	2	Screw
***	145 803-1393 2	1	Muffler ass'y	139	900 603 0000 5	3	Washer
85	-900 250-0400 8	4	Screw 4 x 10	*****	177 200-1393 2	1	Recoil starter ass'y
81	-145 861-1503 0	1	Lid	140	-900 603 0000 4	1	Washer
82	-145 859-1393 0	1	Adapter	141	-900 241-0401 0	1	Screw 4 x 10
63	-145 858-1393 1	1	Muffler lid	142	177 215 1973 0	1	Recoil drum
84	-145 862 1393 1	1	Screen	143	177 226-0393 0	1	Rope
87	-145 858 1393 1	1	Muffler	144	-177 220 1973 0	1	Rewind spring
88	-145 510 1393 0	1	Gasket	145	-177 228 1113 0	1	Starter handle
				146	-177 227-0533 0	1	Rope guide
86	900 602-0000 5	2	Washer 5	147	-101 507 1393 1	1	Fan cover
89	101 014 0713 1	2	Bolt	192	-177 242 1393 0	1	Side plate
90	900 242-0401 6	12	Screw 4 x 16	148	900 242-0402 5	2	Screw 4 x 25
91	156 626 1503 0	1	Ignition coil	149	890 112-1783 1	1	Decal
92	150 614 0291 0	1	Grommet	150	163 400-1503 0	1	Switch
94	900 242 0403 0	7	Screw 4x30	151	351 606-1503 1	1	Front handle
95	100 200-1503 1	1	Crankcase set	155	895 410-0393 0	1	Wrench w/s driver
105	.100 215 0393 0	2	Knock pin	160	351-646-14930	1	Holder, Guard
96	100 213 0393 0	1	Oil seal	161	900-214-05025	1	Screw 5x25
97	100 242 1393 2	1	Gasket, crankcase	162	351 621-1503 0	1	Cushion
98	132 115 1113 0	1	Grommet	169	890 157 19230	1	Plate
99	437 210 1393 0	1	Oil pipe	170	100 251-1023 0	1	Cushion
100	436 205-0283 2	1	Oil strainer	164	351 638 1493 0	1	Stopper
101	900 702-0003 2	1	Circlip 32	173	351 648 1503 0	1	Stopper
102	900 810 3620 1	2	Ball bearing 6201	174	351 649-1503 0	1	Stopper
103	100 100-3403 0	1	Crankshaft ass'y	175	890 176-1303 1	1	Decal, noise
104	100 131-0652 0	1	Woodruff key	176	890 121-1233 1	1	Decal, choke
106	100 212 1123 0	1	Oil seal	177	100 012-0072 0	1	Bearing, needle
107	433 000-1393 1	1	Chain catcher				
108	.900 242 0501 0	1	Screw 5x10				

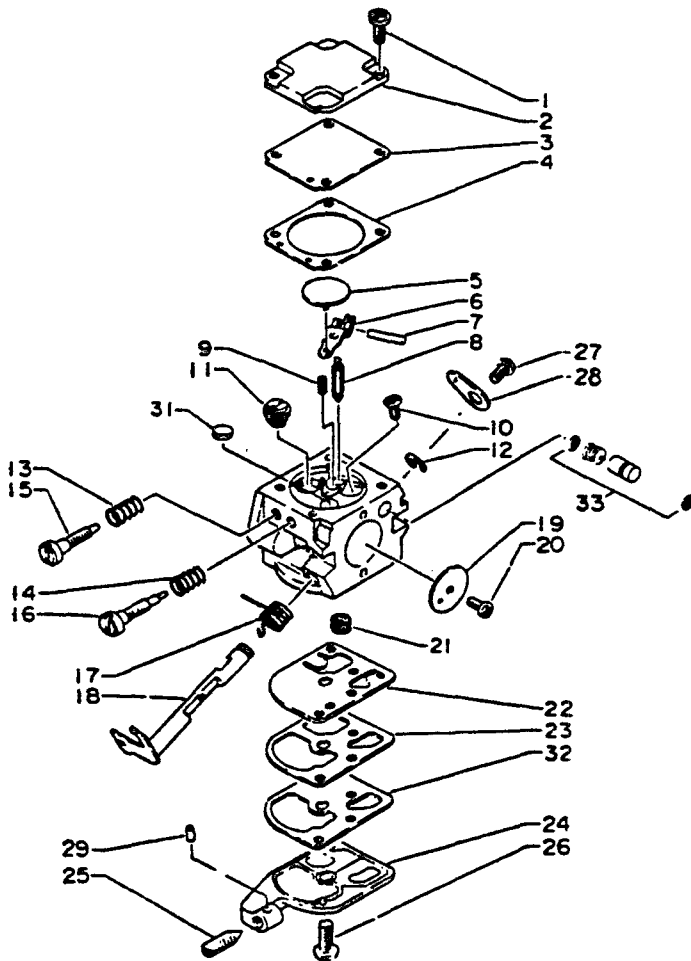
93 156 611-1503 0 Tube

Remarks:

- *: Consists of 1 thru 3.
- ** : Consists of 14 and 15.
- ***: Consists of 81 thru 88.
- ****: Consists of 31, 125 and 126.
- *****: Consists of 140 thru 147 and 192.
- 95: Includes 105.
- 107: Includes 108.
- 27: Includes 28 and 29.



Key No.	Part No.	Q'ty	Description
2-	1	1	Brake handle
	2	1	Arm
	3	1	Spring
	4	1	Shaft
	5	1	Brake spring
	6	1	Band case
7	7	1	Band case
	8	1	Grip
	9	1	Spring pin 3 x 8
	10	1	Dust seal
	11	1	Stud
12	12	1	Brake band
	13	1	Seal plate
	14	1	Washer
	15	1	Nut 4
	16	2	Screw 4x12
17	900 220-0401 0	1	Screw 4 x 10



Key No.	Part No.	Q'ty	Description	
3-	125 200-1393 3	1	Carburetor ass'y C1S-K1C	
	1	2	Screw	
	2	1	Cover, diaphragm	
	3	A B	1	Diaphragm
	4	A B	1	Gasket, diaphragm
	5	-125 375-1393 0	1	Disc
		A	1	Valve arm
		A	1	Arm pin
		A	1	Needle valve
		A	1	Coil spring
	10	-125 339-1393 0	1	Screw
		A	1	Orifice, main fuel
		12	1	Clip
		13, 14	2	Coil spring
		15	1	Needle, high speed
	16	-125 318-1393 0	1	Needle, idle
		17	1	Return spring, throttle
		18	1	Throttle shaft
		19	1	Throttle shutter
	20	A	1	Screw
		21	1	Screen
		22	1	Diaphragm, fuel pump
		23	1	Gasket, fuel pump
		24	1	Pump cover
		25	1	Screw, idle adjustment
		26	1	Screw
	27	-125 310-1393 0	1	Screw
		-125 348-1393 0	1	Screw
		-125 350-1393 1	1	Throttle lever
		-125 378-1393 0	1	Friction piece
		A	1	Welsh plug
		A B	1	Diaphragm surge
		33	1	Pump Kit

Remark: Consists of 1 thru 33.

A - 125 300-1513 0
 B - 125 301-1513 0