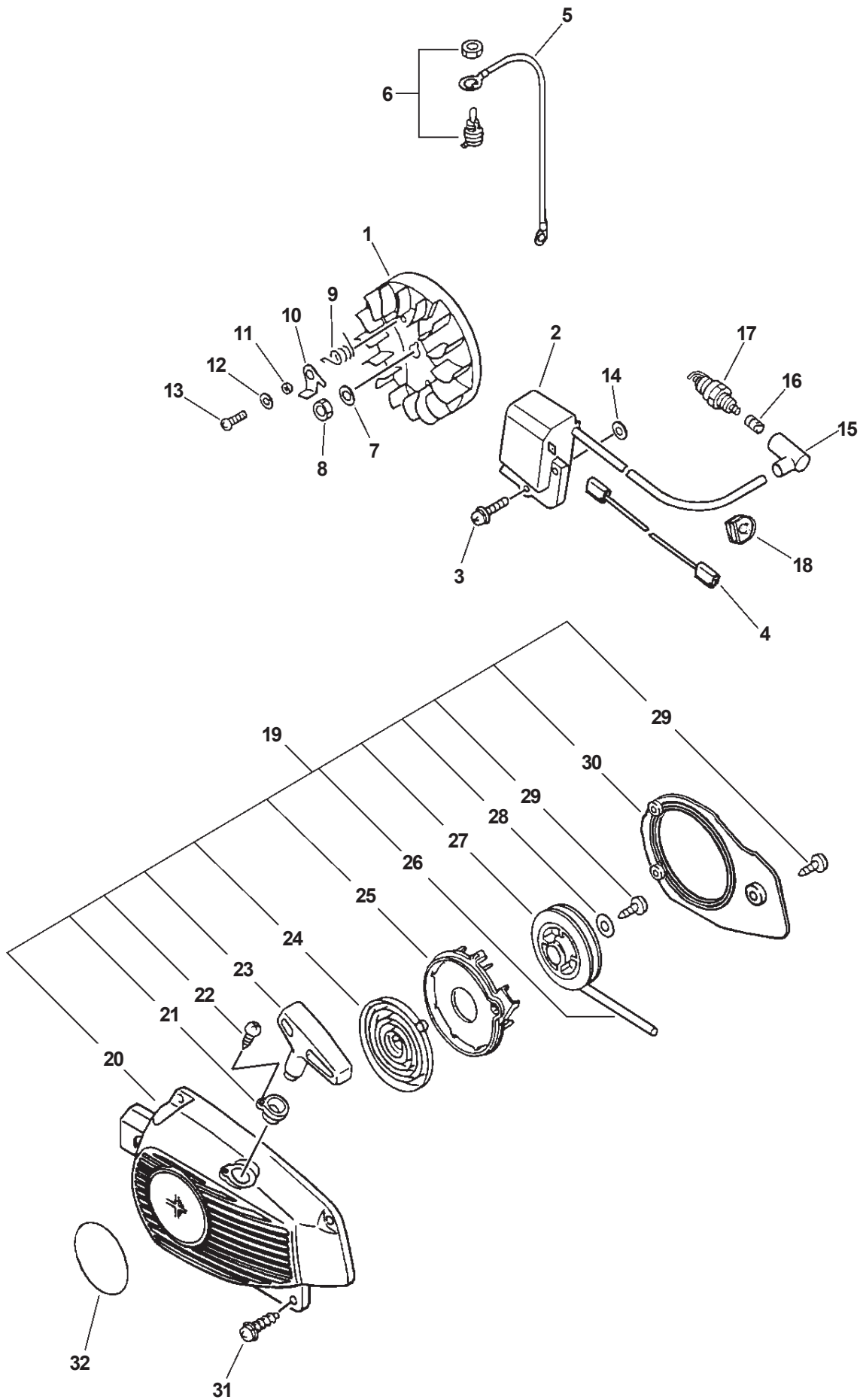


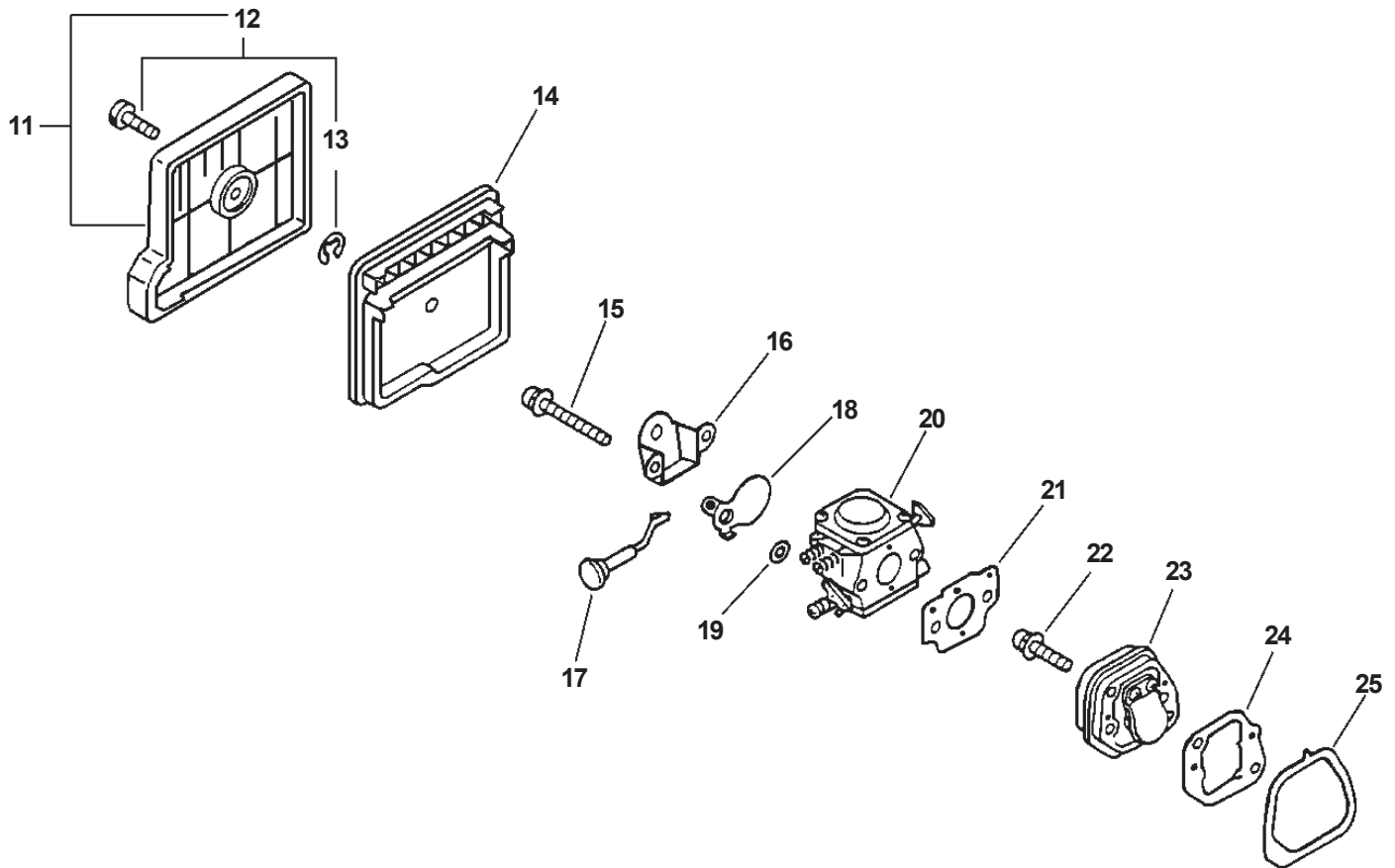
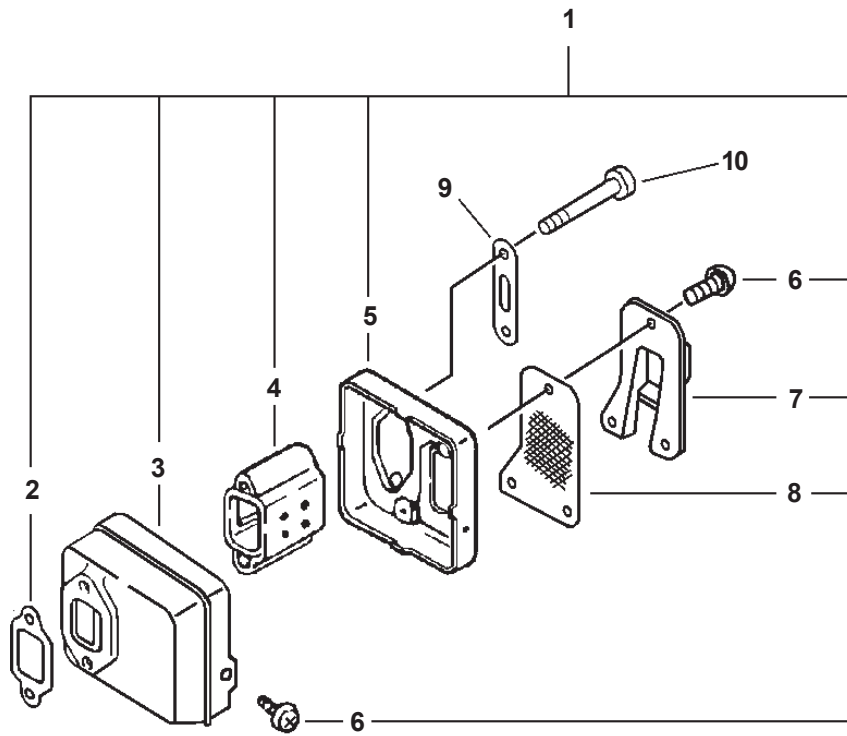
CS-3000 TYPE 1, 1E

ENGINE, SHORT BLOCK, ENGINE COVER

| ITEM | PART NUMBER | QTY | DESCRIPTION | REMARKS |
|--|-------------|-----|---------------------------|----------------------|
| <u>OPTIONAL ENGINE REPOWER</u> | | | | |
| 1 | SB1018 | 1 | SHORT BLOCK | INCLUDES 2-16 |
| 2 | ----- | 1 | CRANKCASE SET | INCLUDES ITEM 3 |
| 3 | 90023805025 | 4 | SCREW 5X25 | |
| 4 | V103000120 | 1 | GASKET, INTAKE | |
| 5 | 14551013931 | 1 | GASKET, EXHAUST | |
| 6 | 10000039130 | 1 | PISTON KIT | INCLUDES ITEMS 7-10 |
| 7 | 10001146430 | 1 | RING, PISTON | |
| 8 | 10001315330 | 1 | PIN, PISTON | |
| 9 | 10001504630 | 2 | CIRCLIP, PISTON PIN | |
| 10 | 10001411520 | 2 | SPACER, PISTON PIN | |
| 11 | 17501203930 | 1 | BEARING, NEEDLE | |
| 12 | 10014239130 | 1 | KEY, WOODRUFF | |
| 13 | ----- | 1 | CRANKSHAFT ASY | INCLUDES ITEMS 14-16 |
| 14 | 10021338330 | 2 | SEAL, OIL | |
| 15 | 90081036201 | 2 | BEARING, BALL 6201 | |
| 16 | 43706338330 | 1 | GEAR, WORM | |
| <u>TYPE 1 - S/N 001001 & UP, TYPE 1E - S/N 001001-665925, CANADA - S/N 001001-004033</u> | | | | |
| 17 | 10400439231 | 1 | COVER KIT, ENGINE | INCLUDES ITEMS 18-22 |
| 18 | 43301103931 | 2 | STUD, GUIDE BAR | |
| 19 | 10421539131 | 1 | LATCH | |
| 20 | 90025304010 | 1 | SCREW 4X10 | |
| <u>TYPE 1E - S/N 665926 & UP, CANADA - S/N 004034 & UP</u> | | | | |
| 17 | A190000020 | 1 | COVER KIT, ENGINE | INCLUDES ITEM 18 |
| 18 | 43301103931 | 2 | STUD, GUIDE BAR | |
| <u>S/N 001001 & UP</u> | | | | |
| 21 | 16391139130 | 1 | PLUG, OILER | |
| 22 | 10403439130 | 1 | PLUG | |
| 23 | 10402939230 | 1 | GROMMET | |
| 24 | 90010605016 | 4 | BOLT 5X16 | |
| 25 | 12901039130 | 1 | GROMMET, NEEDLE -- TYPE 1 | |
| 25 | 17881039630 | 1 | GROMMET, CHOKE -- TYPE 1E | |
| 26 | 12902339130 | 1 | GROMMET, IDLE | |
| 27 | 10404439230 | 1 | COVER | |
| 28 | 90025604016 | 1 | SCREW 4X16 | |



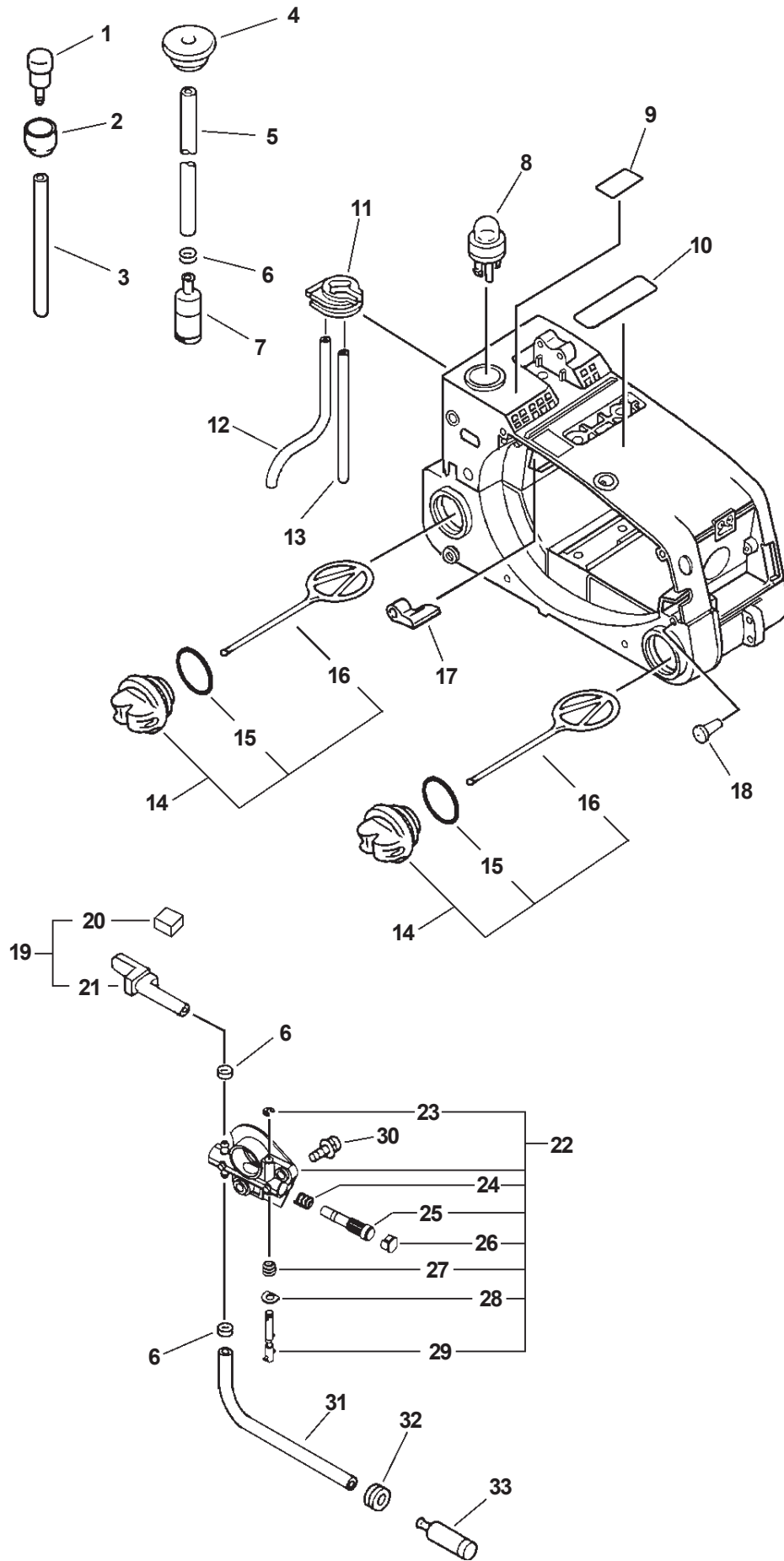
| ITEM | PART NUMBER | QTY | DESCRIPTION | REMARKS |
|--|-------------|-----|--------------------------------------|--|
| <u>TYPE 1 - S/N 001001 & UP, TYPE 1E - S/N 001001-568898</u> | | | | |
| 1 | 15680035630 | 1 | FLYWHEEL | MAY ONLY BE USED WITH 15662639130 - COIL, IGNITION |
| 2 | 15662639130 | 1 | COIL, IGNITION | MAY ONLY BE USED WITH 15680035630 - FLYWHEEL |
| 3 | 90023805020 | 2 | SCREW 5X20 | |
| <u>TYPE 1E - S/N 568899 & UP</u> | | | | |
| 1 | 15680039430 | 1 | FLYWHEEL | MAY ONLY BE USED WITH 15662639430 - COIL, IGNITION |
| 2 | 15662639430 | 1 | COIL, IGNITION | MAY ONLY BE USED WITH 15680039430 - FLYWHEEL |
| 3 | 90023805022 | 2 | SCREW 5X22 | |
| 4 | 16201039430 | 1 | LEAD | |
| <u>S/N 001001 & UP</u> | | | | |
| 5 | 16201039131 | 1 | LEAD | |
| 6 | 16340019830 | 1 | SWITCH, IGNITION | |
| 7 | 90060000008 | 1 | WASHER 8 | |
| 8 | 90050000008 | 1 | NUT 8 | |
| 9 | 17723435430 | 2 | SPRING, RETURN | |
| 10 | 17721835631 | 2 | PAWL, STARTER | |
| 11 | 17724704630 | 2 | SPACER, RATCHET | |
| 12 | 90060300005 | 2 | WASHER 5 | |
| 13 | 90021605012 | 2 | SCREW 5X12 | |
| 14 | 15011716430 | 2 | SPACER | |
| 15 | 15901201620 | 1 | CAP, SPARK PLUG | |
| 16 | 15901103432 | 1 | COIL, SPARK PLUG CAP | |
| 17 | 15901010630 | 1 | PLUG, SPARK BPM-7A -- US MODELS | |
| 17 | 15901010230 | 1 | PLUG, SPARK BPMR-7A -- CANADA MODELS | |
| 18 | 15611004920 | 1 | GROMMET | |
| 19 | 17720039533 | 1 | STARTER ASY | INCLUDES ITEMS 20-30 |
| 20 | 17723239532 | 1 | COVER, STARTER | |
| 21 | 17722739131 | 1 | GUIDE, ROPE | |
| 22 | 90029603014 | 1 | SCREW 3X14 | |
| 23 | 17722835430 | 1 | GRIP, STARTER | |
| 24 | 17722039630 | 1 | SPRING, REWIND | |
| 25 | 17722135631 | 1 | PLATE, STARTER | |
| 26 | 17722606530 | 1 | ROPE, STARTER | 3mm(1/8") X 850mm(33-1/2"), BULK OPTION: 99944440000 |
| 27 | 17721535632 | 1 | DRUM, STARTER | |
| 28 | 17721404630 | 1 | WASHER | |
| 29 | 90025304014 | 4 | SCREW 4X14 | |
| 30 | 10153439530 | 1 | PLATE, GUIDE | |
| 31 | 90025604016 | 4 | SCREW 4X16 | |
| 32 | 89011849330 | 1 | LABEL, ECHO | |



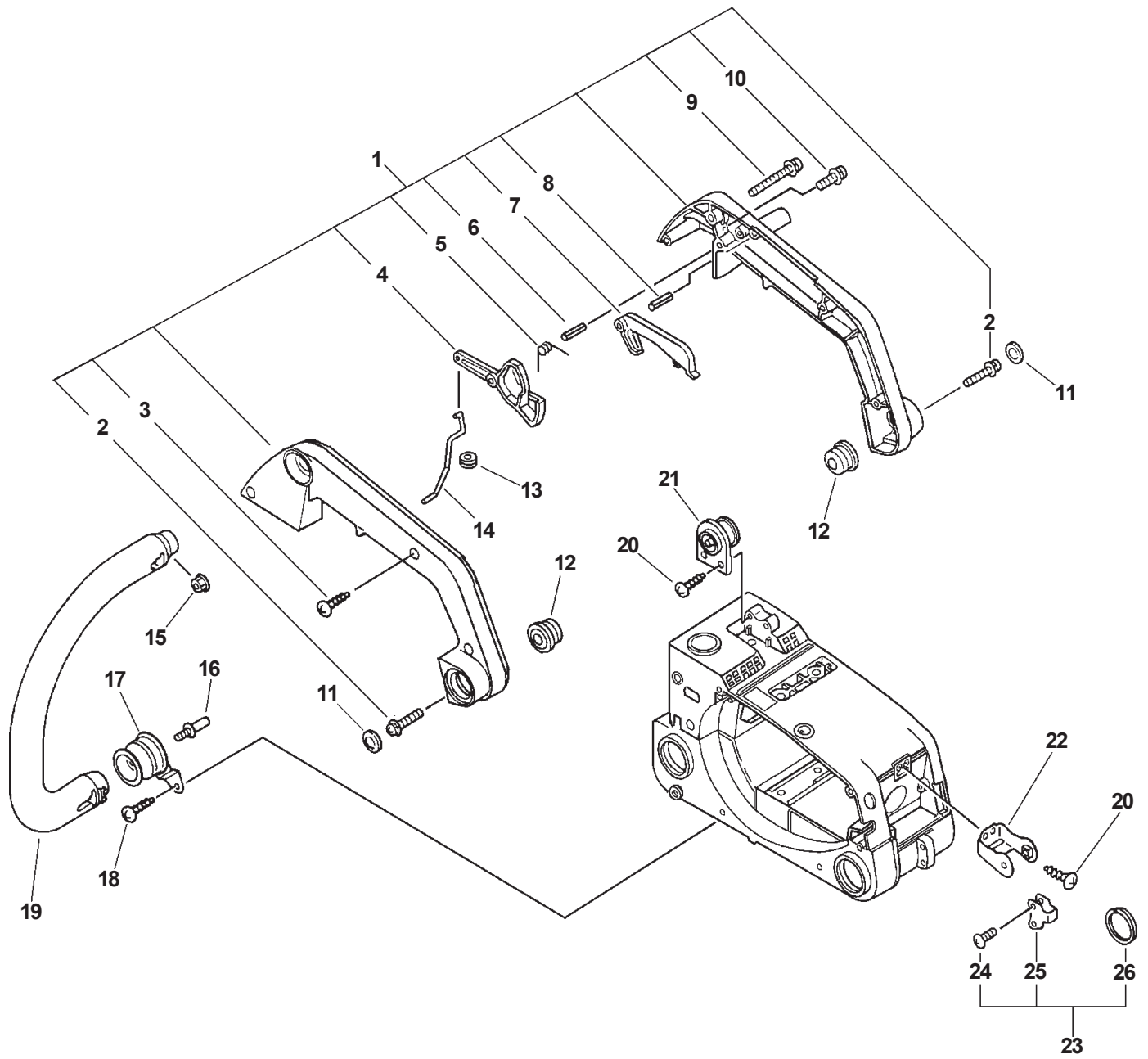
CS-3000 TYPE 1, 1E

INTAKE, EXHAUST

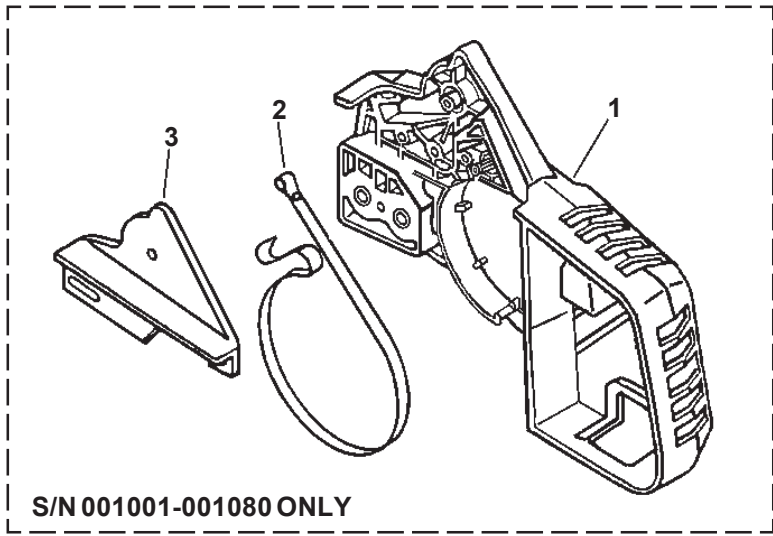
| ITEM | PART NUMBER | QTY | DESCRIPTION | REMARKS |
|--|-------------|-----|---------------------|----------------------|
| <u>S/N 001001 & UP</u> | | | | |
| 1 | 14580335532 | 1 | MUFFLER ASY | INCLUDES ITEMS 2-8 |
| 2 | 14551013931 | 1 | GASKET, MUFFLER | |
| 3 | 14585813931 | 1 | MUFFLER | |
| 4 | 14585913930 | 1 | SILENCER | |
| 5 | 14586135530 | 1 | LID, MUFFLER | |
| 6 | 90025004008 | 4 | SCREW 4X8 | |
| 7 | 14587635530 | 1 | GUIDE, EXHAUST | |
| 8 | 14586213931 | 1 | SCREEN, MUFFLER | |
| 9 | 14564213930 | 1 | PLATE, EYE | |
| 10 | 10102313930 | 2 | BOLT, MUFFLER | |
| | | | | |
| 11 | 13030239133 | 1 | CLEANER LID ASY | INCLUDES ITEMS 12-13 |
| 12 | 13040613932 | 1 | BOLT ASY | INCLUDES ITEMS 13 |
| 13 | 90070000004 | 1 | E-RING 4 | |
| 14 | 13031039131 | 1 | FILTER, AIR | |
| 15 | 90023805045 | 2 | SCREW 5X45 | |
| 16 | 12901139130 | 1 | PLATE, PREVENT | |
| 17 | 17851039230 | 1 | ROD, CHOKE | |
| 18 | 17851539130 | 1 | SHUTTER, CHOKE | |
| 19 | 17851603930 | 2 | WASHER | |
| | | | | |
| <u>TYPE 1 - S/N 001001-056483</u> | | | | |
| 20 | 12300060131 | 1 | CARBURETOR--WT-385A | |
| | | | | |
| <u>TYPE 1 - S/N 056484 & UP, TYPE 1E - S/N 001001 & UP</u> | | | | |
| 20 | 12300139132 | 1 | CARBURETOR--WT-402A | |
| | | | | |
| <u>S/N 001001 & UP</u> | | | | |
| 21 | 13001639130 | 1 | GASKET, INTAKE | |
| 22 | 90025005018 | 2 | SCREW 5X18 | |
| 23 | 13000039131 | 1 | INSULATOR KIT | |
| 24 | 13001039130 | 1 | GASKET, INTAKE | |
| 25 | 13001239130 | 1 | SEAL | |



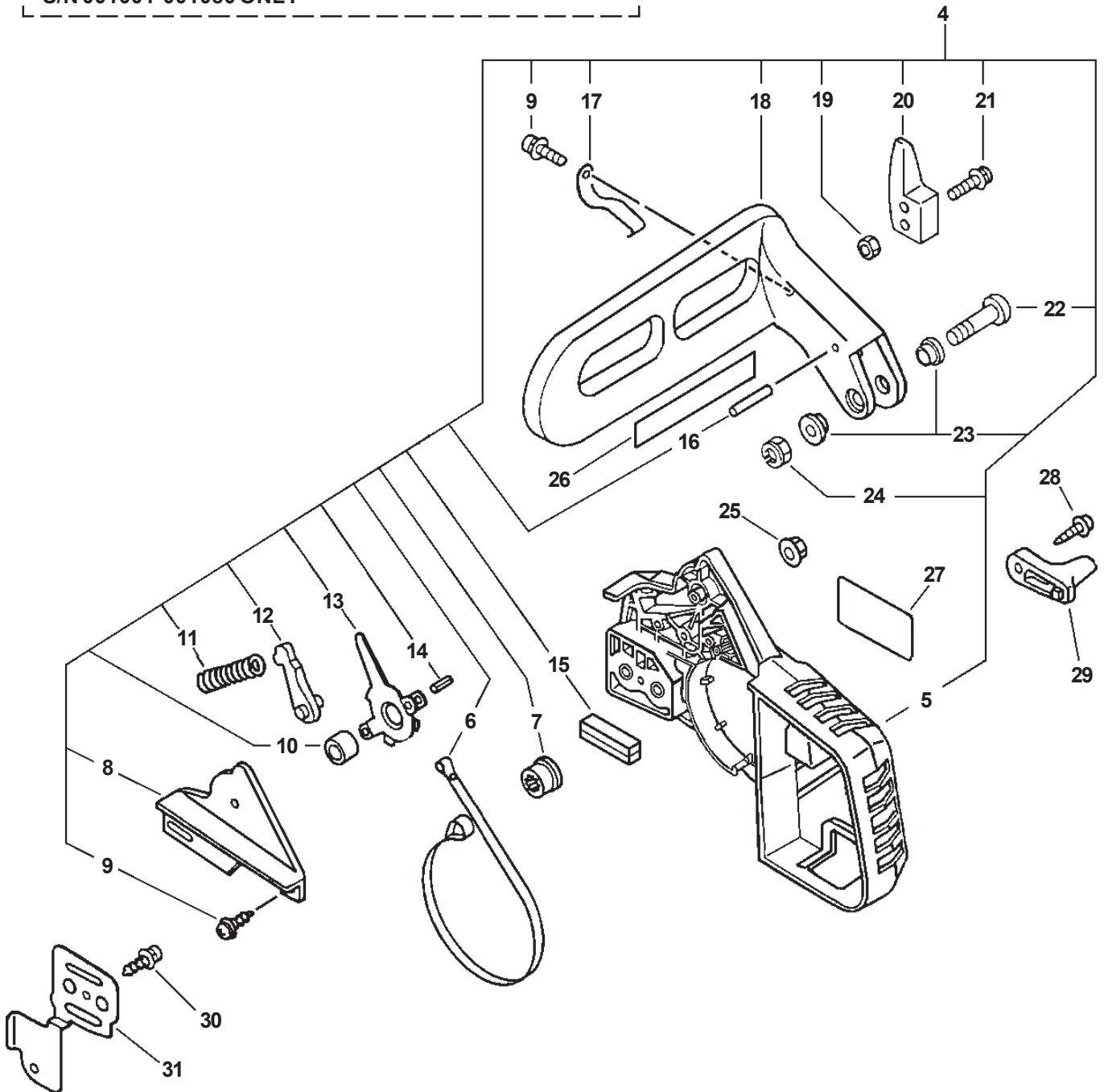
| ITEM | PART NUMBER | QTY | DESCRIPTION | REMARKS |
|------|-------------|-----|------------------------|----------------------|
| 1 | 13130056430 | 1 | VALVE, CHECK | |
| 2 | 13132839130 | 1 | COVER, VENT | |
| 3 | 13201004920 | 1 | PIPE, VENT - 3X5X150 | BULK OPTION: 90014 |
| 4 | 13211539130 | 1 | GROMMET, FUEL | |
| 5 | 13201239130 | 1 | PIPE, FUEL - 3X6X160mm | BULK OPTION: 90015 |
| 6 | 13201326630 | 3 | CLIP | |
| 7 | 13120507320 | 1 | FILTER, FUEL | |
| 8 | 12318139130 | 1 | PUMP, PURGE | |
| 9 | 89016739230 | 1 | LABEL, PURGE PUMP | |
| 10 | 89022839130 | 1 | LABEL, CAUTION | |
| 11 | 13275839130 | 1 | BRACKET, PUMP | |
| 12 | 13271639130 | 1 | PIPE, RETURN - 2X4X42 | BULK OPTION: 90018 |
| 13 | 13131239130 | 1 | PIPE, PURGE - 3X5X70 | BULK OPTION: 90014 |
| 14 | 43600139231 | 2 | CAP, TANK | INCLUDES ITEMS 15-16 |
| 15 | 90072100025 | 2 | O-RING 25 | |
| 16 | 13105119830 | 2 | CLIP, FUEL CAP | |
| 17 | 13033639530 | 1 | PLUG | |
| 18 | 43611413930 | 1 | VALVE, CHECK | |
| 19 | 43720139130 | 1 | PIPE KIT | INCLUDES ITEM 20-21 |
| 20 | 43724439130 | 1 | PAD, FOAM | |
| 21 | 43721139132 | 1 | PIPE, OIL | |
| 22 | 43700239130 | 1 | AUTO-OILERASY | INCLUDES ITEM 23-29 |
| 23 | 12312715030 | 1 | CLIP | |
| 24 | 43701938330 | 1 | SPRING | |
| 25 | 43702437330 | 1 | PLUNGER | |
| 26 | 43706237330 | 1 | CAP, OIL PUMP | |
| 27 | 43701537330 | 1 | SPRING | |
| 28 | 43702937330 | 1 | WASHER | |
| 29 | 43701639130 | 1 | NEEDLE, ADJUST | |
| 30 | 90023505012 | 2 | SCREW 5X12 | |
| 31 | 13201235430 | 1 | PIPE - 3X6X115 | BULK OPTION: 90015 |
| 32 | 13211501461 | 1 | GROMMET | |
| 33 | 43620502832 | 1 | STRAINER, OIL | |



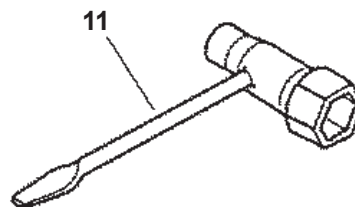
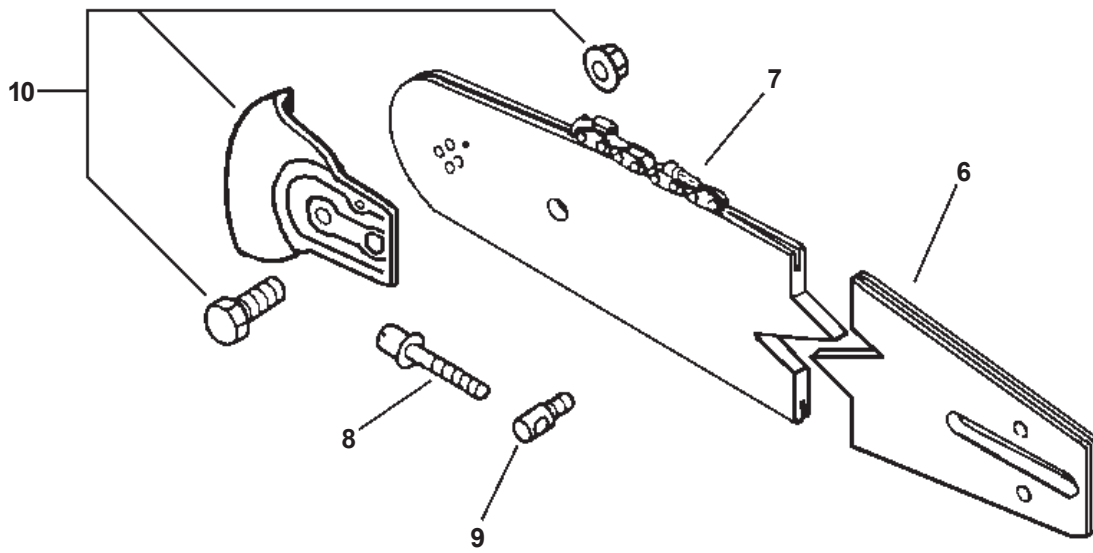
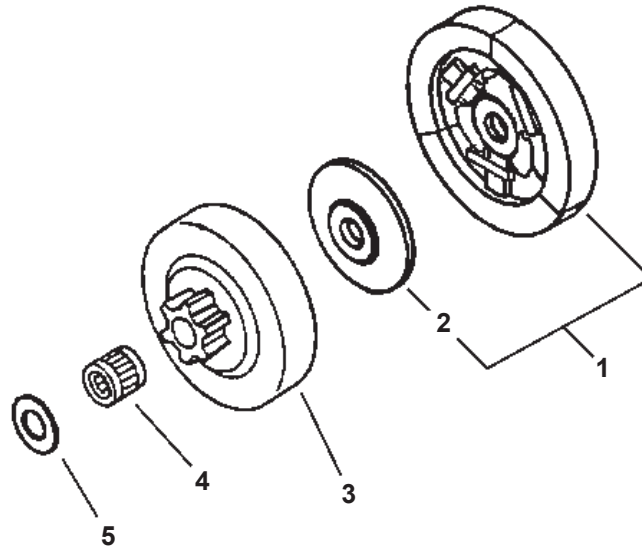
| ITEM | PART NUMBER | QTY | DESCRIPTION | REMARKS |
|------|-------------|-----|-------------------------|----------------------|
| 1 | 35110039131 | 1 | REAR HANDLE SET | INCLUDES ITEMS 2-8 |
| 2 | 90023804010 | 2 | SCREW 4X10 | |
| 3 | 90025604016 | 3 | SCREW 4X16 | |
| 4 | 17801039130 | 1 | CONTROL, THROTTLE | |
| 5 | 17804339131 | 1 | SPRING, THROTTLE RETURN | |
| 6 | 90034540025 | 1 | PIN, SPRING 4X25 | |
| 7 | 17809039130 | 1 | LOCKOUT, THROTTLE | |
| 8 | 90034540020 | 1 | PIN, SPRING 4X20 | |
| 9 | 90023805035 | 1 | SCREW 5X35 | |
| 10 | 90023805014 | 1 | SCREW 5X14 | |
| 11 | 10091815130 | 2 | CAP, CUSHION | |
| 12 | 10092139130 | 2 | CUSHION | |
| 13 | 17821039130 | 1 | GROMMET, THROTTLE | |
| 14 | 17801139131 | 1 | ROD, THROTTLE | |
| 15 | 90051600005 | 1 | NUT, FLANGE 5 | |
| 16 | 10091533930 | 1 | SCREW | |
| 17 | 10091035630 | 1 | CUSHION | |
| 18 | 90025604016 | 4 | SCREW 4X16 | |
| 19 | 35161039130 | 1 | HANDLE, FRONT | |
| 20 | 90025304014 | 4 | SCREW 4X14 | |
| 21 | 10090739130 | 1 | CUSHION | |
| 22 | 35112339131 | 1 | SUPPORTER | |
| 23 | P021000280 | 1 | HARNESS RING KIT | INCLUDES ITEMS 24-26 |
| 24 | 90023804016 | 2 | SCREW 4X16 | |
| 25 | 30031439130 | 1 | FIXTURE, HARNESS | |
| 26 | 30101652730 | 1 | RING, HARNESS | |



S/N 001001-001080 ONLY

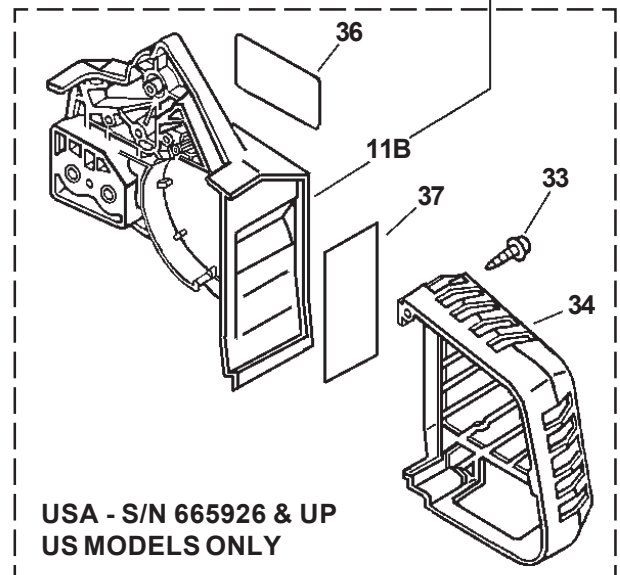
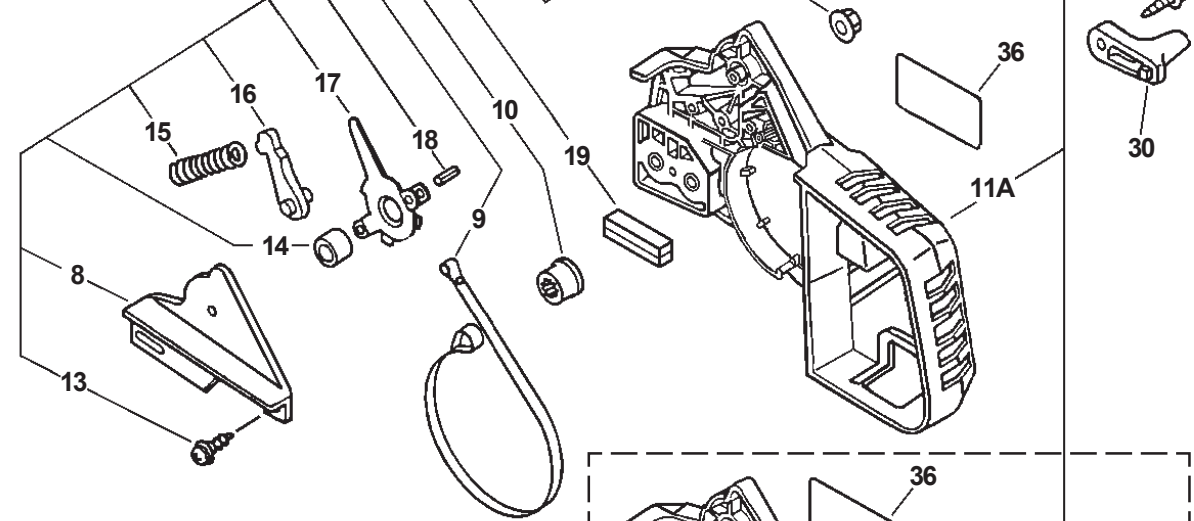
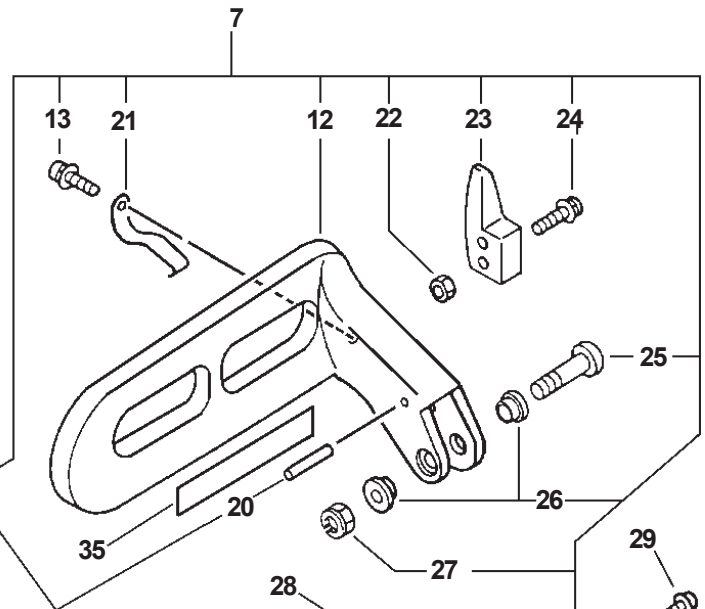
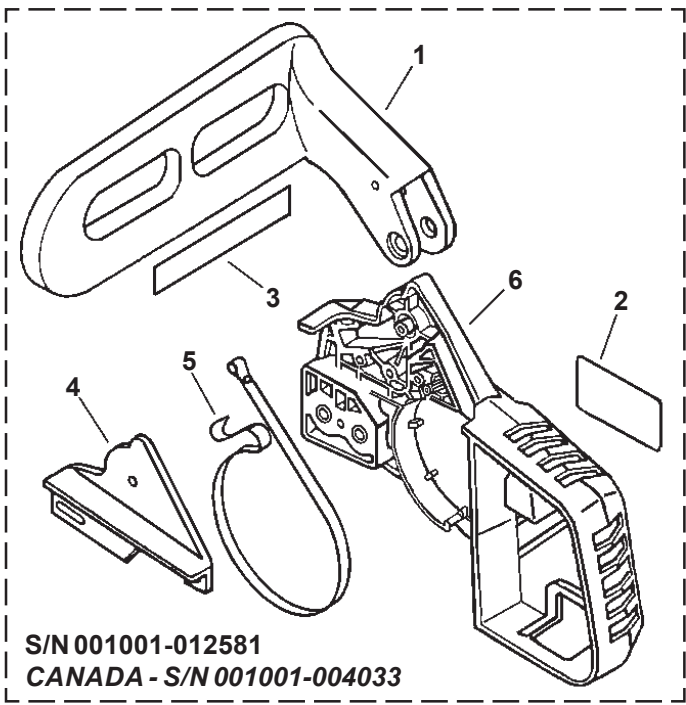


| ITEM | PART NUMBER | QTY | DESCRIPTION | REMARKS |
|----------------------------|-------------|-----|-------------------------------------|---------------------|
| <u>S/N 001001-001080</u> | | | | |
| 1 | 43300539233 | 1 | GUARD, SPROCKET | |
| 2 | 43312339130 | 1 | BAND, BRAKE | |
| 3 | 43331039230 | 1 | COVER, BRAKE | |
| 4 | 43310039230 | 1 | CHAIN BRAKE KIT | INCLUDES ITEMS 5-24 |
| <u>S/N 001081 & UP</u> | | | | |
| 5 | 43300539530 | 1 | GUARD, SPROCKET | |
| 6 | 43312339530 | 1 | BAND, BRAKE | |
| 7 | 43314235430 | 1 | ADJUSTER, BRAKE | |
| 8 | 43331039530 | 1 | COVER, BRAKE | |
| <u>S/N 001001 & UP</u> | | | | |
| 9 | 90025304010 | 4 | SCREW 4X10 | |
| 10 | 43311635430 | 1 | SPACER, 8X12X9 | |
| 11 | 43312235430 | 1 | SPRING, BRAKE | |
| 12 | 43320935430 | 1 | STOPPER, BRAKE | |
| 13 | 43320835431 | 1 | LEVER, BRAKE | |
| 14 | 90033040088 | 1 | ROLLER | |
| 15 | 43331232630 | 1 | COVER, SEAL | |
| 16 | 90033040238 | 1 | ROLLER, 4X23.8 | |
| 17 | 43311439130 | 1 | SPRING | |
| 18 | 43311160531 | 1 | LEVER, BRAKE | |
| 19 | 90050000004 | 2 | NUT 4 | |
| 20 | 43317139630 | 1 | WEIGHT, BRAKE | |
| 21 | 90023804020 | 2 | SCREW 4X20 | |
| 22 | 90020905030 | 1 | SCREW 5X30 | |
| 23 | 43316739130 | 2 | SPACER | |
| 24 | 90056000005 | 1 | LOCKNUT 5 | |
| 25 | 43301903933 | 2 | NUT, FLANGE 6 | |
| 26 | 89019239531 | 1 | LABEL, BAR & CHAIN -- US MODELS | |
| 26 | 89035439131 | 1 | LABEL, BAR & CHAIN -- CANADA MODELS | |
| 27 | 89015139130 | 1 | LABEL, MODEL | |
| 28 | 90025305020 | 1 | SCREW 5X20 | |
| 29 | 43302635430 | 1 | CATCHER, CHAIN | |
| 30 | 90025304010 | 1 | SCREW 4X10 | |
| 31 | 43301239131 | 1 | PLATE, GUIDE | |

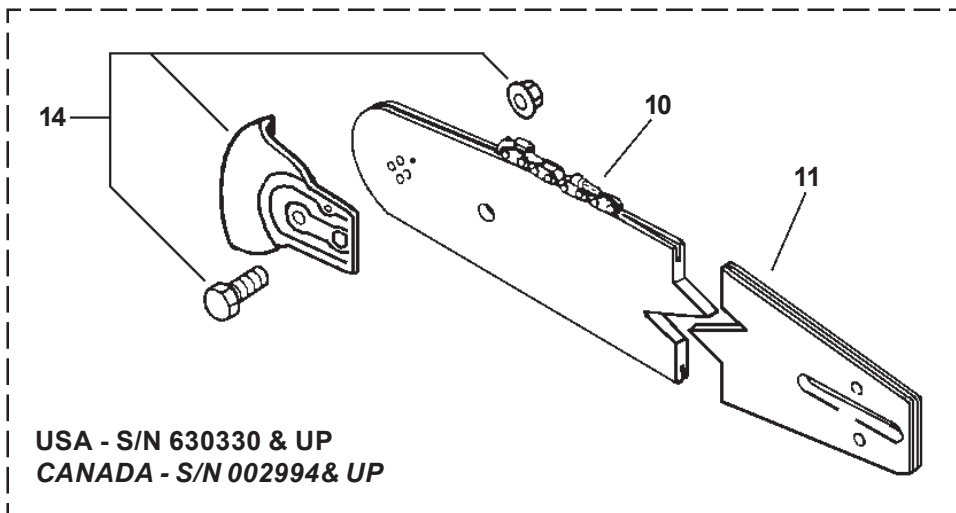
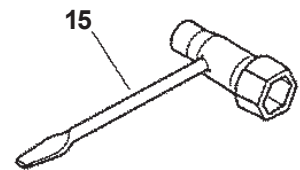
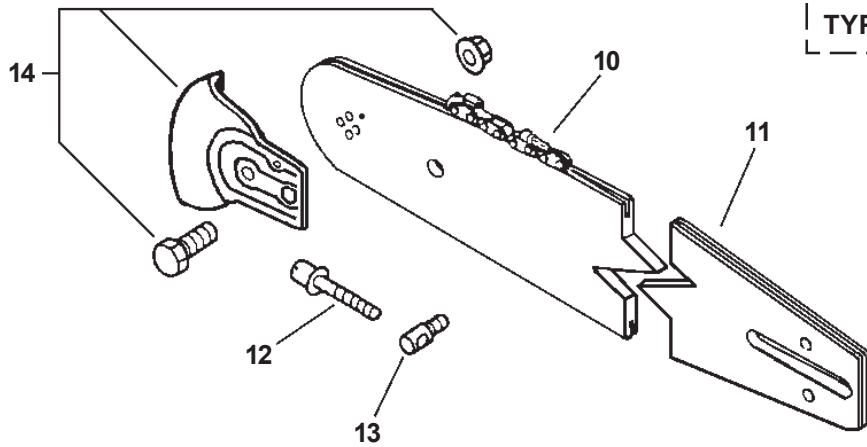
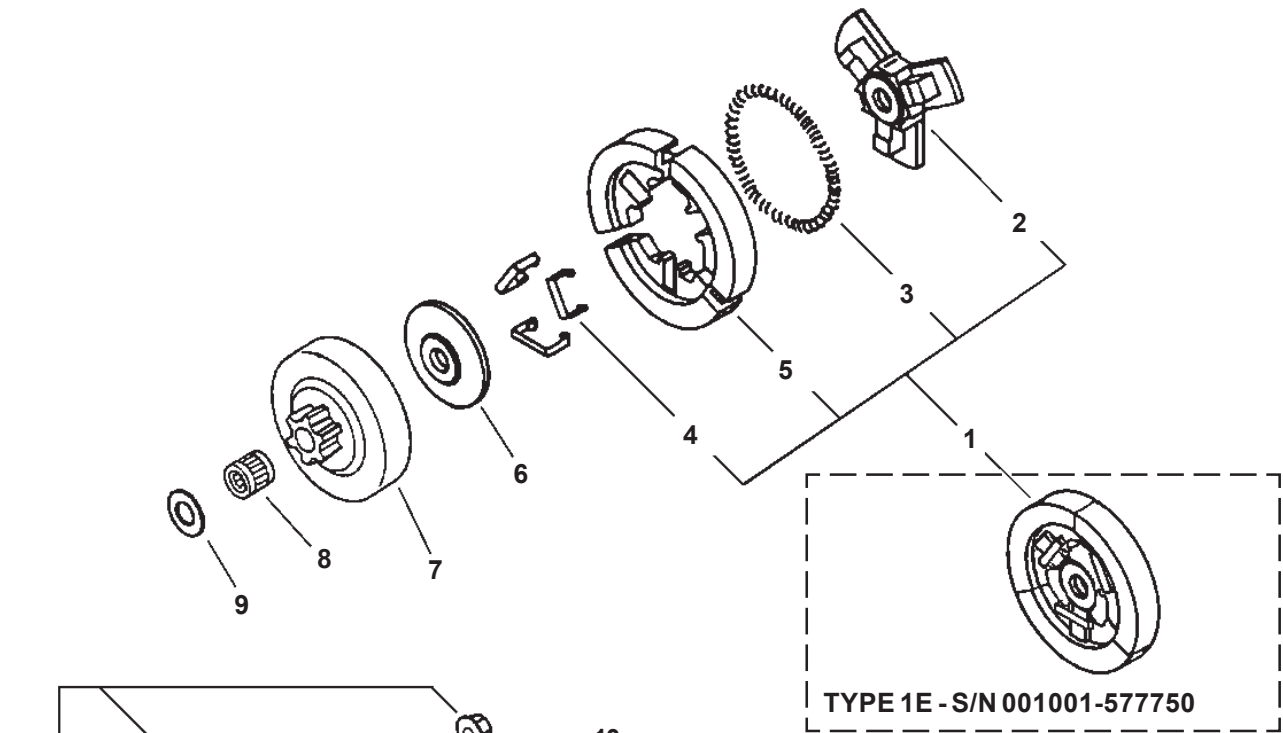


CS-3000 TYPE 1**CLUTCH ASSEMBLY, BAR & CHAIN, TOOLS**

| ITEM | PART NUMBER | QTY | DESCRIPTION | REMARKS |
|------|-------------|-----|-------------------------------|------------------|
| 1 | P021000260 | 1 | CLUTCHASY | INCLUDES ITEMS 2 |
| 2 | 17501939430 | 1 | PLATE, CLUTCH | |
| 3 | 17500539131 | 1 | DRUM, CLUTCH | |
| 4 | 17501235630 | 1 | BEARING, NEEDLE | |
| 5 | 17501439130 | 1 | WASHER, CLUTCH | |
| 6 | 120374501 | 1 | BAR, GUIDE - 12" DOUBLE GUARD | |
| 6 | 140375201 | 1 | BAR, GUIDE - 14" DOUBLE GUARD | |
| 6 | 160375701 | 1 | BAR, GUIDE - 16" DOUBLE GUARD | |
| 7 | 917045 | 1 | CHAIN, SAW 91VG-45E - 12" | |
| 7 | 917052 | 1 | CHAIN, SAW 91VG-52E - 14" | |
| 7 | 917057 | 1 | CHAIN, SAW 91VG-57E - 16" | |
| 8 | 43301639131 | 1 | BOLT | |
| 9 | 43301403931 | 1 | TENSIONER | |
| 10 | 2894901 | 1 | GUARD, KICK KIT | |
| 11 | 89541039130 | 1 | WRENCH, W/SCREWDRIVER | |



| ITEM | PART NUMBER | QTY | DESCRIPTION | REMARKS |
|---|-------------|-----|-------------------------------------|---------------------|
| <u>S/N 001001-665925, CANADA - S/N 001001-004033</u> | | | | |
| 1 | 43311160531 | 1 | LEVER, BRAKE | |
| 2 | 89015139130 | 1 | LABEL, MODEL | |
| 3 | 89019239531 | 1 | LABEL, BAR & CHAIN -- US MODELS | |
| 3 | 89035439131 | 1 | LABEL, BAR & CHAIN -- CANADA MODELS | |
| 7 | 43310039230 | 1 | CHAIN BRAKE ASY | INCLUDES ITEMS 8-27 |
| <u>S/N 001001-012581</u> | | | | |
| 4 | 43331039230 | 1 | COVER, BRAKE | |
| 5 | 43312339130 | 1 | BAND, BRAKE | |
| 6 | 43300539233 | 1 | GUARD, SPROCKET | |
| <u>S/N 012582-665925, CANADA - S/N 004034 & UP</u> | | | | |
| 8 | 43331039530 | 1 | COVER, BRAKE | |
| 9 | 43312339530 | 1 | BAND, BRAKE | |
| 10 | 43314235430 | 1 | ADJUSTER, BRAKE | |
| 11A | 43300539530 | 1 | GUARD, SPROCKET | |
| <u>S/N 665926 & UP, CANADA - S/N 004034 & UP*</u> | | | | |
| 7 | C032000050 | 1 | CHAIN BRAKE ASY | INCLUDES ITEMS 8-27 |
| 8 | 43331039530 | 1 | COVER, BRAKE | |
| 9 | 43312339530 | 1 | BAND, BRAKE | |
| 10 | 43314235430 | 1 | ADJUSTER, BRAKE | |
| 11B | C300000040 | 1 | GUARD, SPROCKET -- *US MODELS ONLY | INCLUDES ITEM 37 |
| 12 | 43314739131 | 1 | LEVER, BRAKE | |
| 33 | 90025305020 | 2 | SCREW 5X20 -- *US MODELS ONLY | |
| 34 | A320000030 | 1 | COVER, MUFFLER -- *US MODELS ONLY | |
| 35 | X503001750 | 1 | LABEL, MODEL | |
| 36 | 89019239532 | 1 | LABEL, BAR & CHAIN -- *US MODELS | |
| 36 | 89035439131 | 1 | LABEL, BAR & CHAIN -- CANADA MODELS | |
| 37 | V341000000 | 1 | DEFLECTOR, HEAT -- *US MODELS ONLY | |
| <u>S/N 001001 & UP</u> | | | | |
| 13 | 90025304012 | 4 | SCREW 4X12 | |
| 14 | 43311635430 | 1 | SPACER, 8X12X9 | |
| 15 | 43312235430 | 1 | SPRING, BRAKE | |
| 16 | 43320935430 | 1 | STOPPER, BRAKE | |
| 17 | 43320835431 | 1 | CONNECTOR, BRAKE | |
| 18 | 90033040088 | 1 | ROLLER | |
| 19 | 43331232630 | 1 | COVER, SEAL | |
| 20 | 90033040238 | 1 | ROLLER, 4X23.8 | |
| 21 | 43311439130 | 1 | SPRING | |
| 22 | 90050000004 | 2 | NUT 4 | |
| 23 | 43317139630 | 1 | WEIGHT, BRAKE | |
| 24 | 90023804020 | 2 | SCREW 4X20 | |
| 25 | 9131805032 | 1 | SCREW 5X32 | ■ |
| 26 | 43316739130 | 2 | SPACER | |
| 27 | 90056000005 | 1 | LOCKNUT 5 | |
| 28 | 43301903933 | 2 | NUT, FLANGE 6 | |
| 29 | 90025305020 | 1 | SCREW 5X20 | |
| 30 | 43302635430 | 1 | CATCHER, CHAIN | |
| 31 | 90025304010 | 1 | SCREW 4X10 | |
| 32 | 43301239131 | 1 | PLATE, GUIDE | |

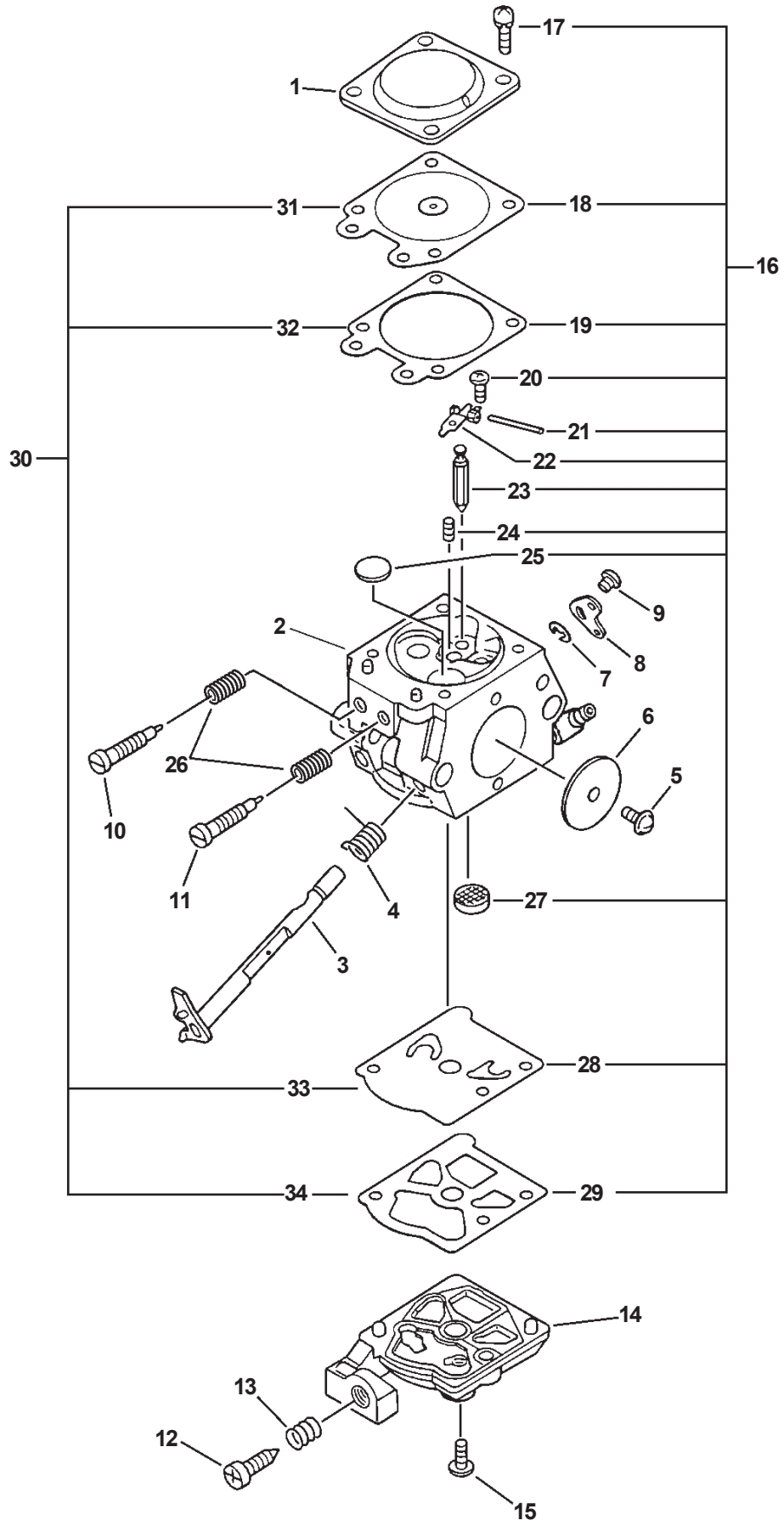


CS-3000 TYPE 1E

CLUTCH, CUTTING ATTACHMENT, TOOLS

| ITEM | PART NUMBER | QTY | DESCRIPTION | REMARKS |
|--|-------------|-----|--------------------------|--------------------|
| <u>S/N001001-577750</u> | | | | |
| 1 | P021000260 | 1 | CLUTCHASY | |
| <u>S/N 577751 & UP</u> | | | | |
| 1 | A056000010 | 1 | CLUTCHASY | INCLUDES ITEMS 2-5 |
| 2 | A552000000 | 1 | HUB, CLUTCH | |
| 3 | 17501839430 | 1 | SPRING, CLUTCH | |
| 4 | 17502259530 | 3 | SPRING, FLAT | |
| 5 | A555000000 | 3 | SHOE, CLUTCH | S/N 577751-665925 |
| 5 | P021000270 | 1 | CLUTCH SHOE SET | S/N 665926 & UP |
| <u>S/N 001001 & UP</u> | | | | |
| 6 | 17501939430 | 1 | PLATE, CLUTCH | |
| 7 | 17500539131 | 1 | DRUM, CLUTCH | |
| 8 | 17501235630 | 1 | BEARING, NEEDLE | |
| 9 | 17501439130 | 1 | WASHER, CLUTCH | |
| 10 | 917045 | 1 | CHAIN, SAW 91VG-45E- 12" | |
| 10 | 917052 | 1 | CHAIN, SAW 91VG-52E- 14" | |
| 10 | 917057 | 1 | CHAIN, SAW 91VG-57E- 16" | |
| <u>S/N 001001-630329, CANADA - S/N 001001-002993</u> | | | | |
| 11 | 120374501 | 1 | BAR, GUIDE- 12" | |
| 11 | 140375201 | 1 | BAR, GUIDE- 14" | |
| 11 | 160375701 | 1 | BAR, GUIDE- 16" | |
| 12 | 43301639131 | 1 | BOLT | |
| 13 | 43301403931 | 1 | TENSIONER | |
| <u>S/N 630330 & UP, CANADA - 002994 & UP</u> | | | | |
| 11 | 122374501 | 1 | BAR, GUIDE- 12" INTENZ | |
| 11 | 142375201 | 1 | BAR, GUIDE- 14" INTENZ | |
| 11 | 162375701 | 1 | BAR, GUIDE- 16" INTENZ | |
| <u>S/N 001001 & UP</u> | | | | |
| 14 | 2894901 | 1 | GUARD, KICK KIT | |
| 15 | 89541039130 | 1 | WRENCH, W/SCREWDRIVER | |

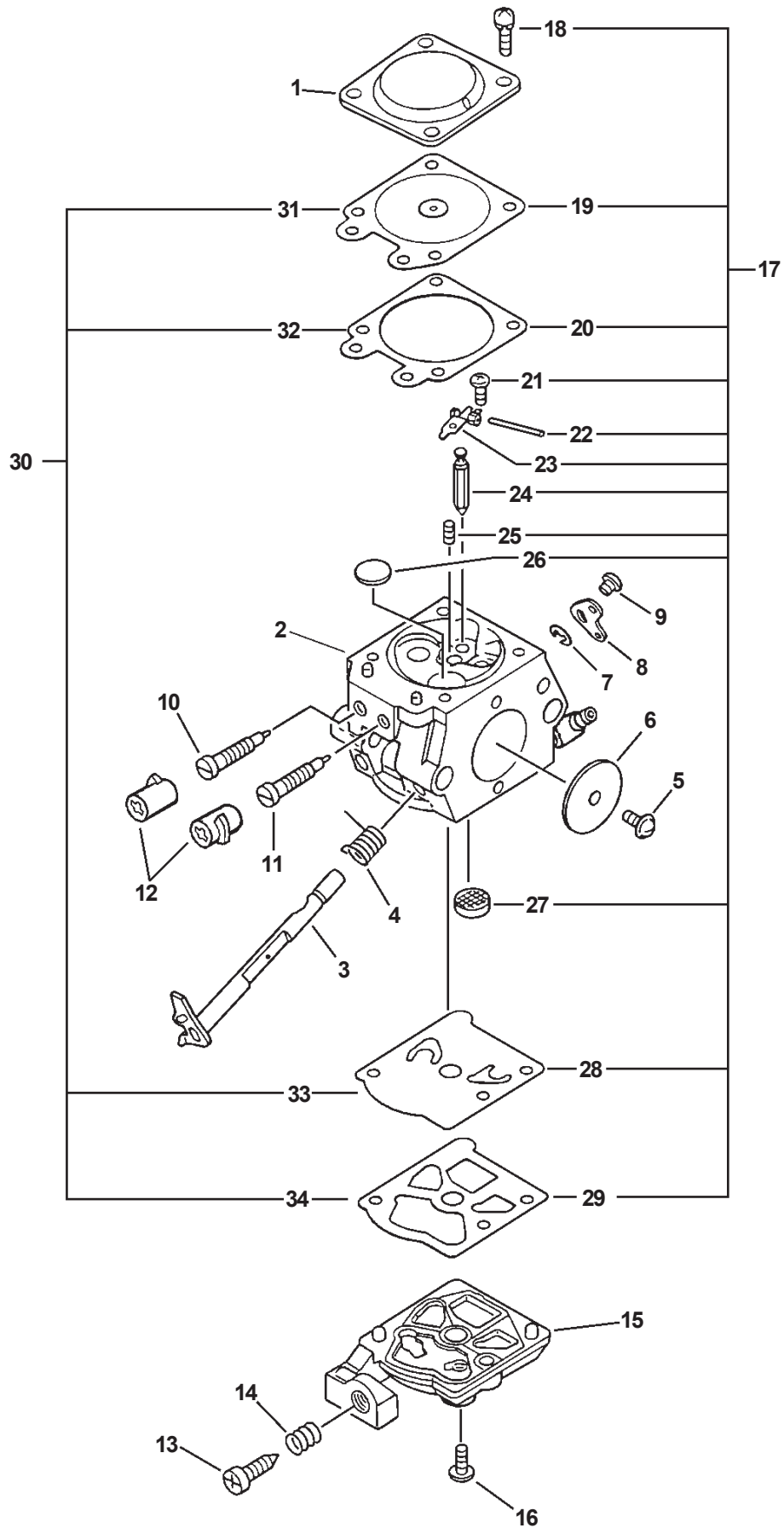
SERIAL NUMBERS: 001001-056483



SERIAL NUMBERS: 001001-056483

| ITEM | PART NUMBER | QTY | DESCRIPTION | REMARKS |
|------|-------------|-----|---------------------------------|--------------------------|
| | 12300060131 | 1 | CARBURETOR--WT-385A | |
| 1 | 12314203930 | 1 | COVER, METERING DIAPHRAGM | |
| 2 | ----- | 1 | BODY, CARBURETOR | NOT AVAILABLE SEPARATELY |
| 3 | 12311739630 | 1 | SHAFT, THROTTLE | |
| 4 | 12311347530 | 1 | SPRING, THROTTLE RETURN | |
| 5 | 12311403930 | 1 | SCREW, THROTTLE VALVE | |
| 6 | 12311605230 | 1 | VALVE, THROTTLE | |
| 7 | 12312715030 | 1 | CLIP, THROTTLE SHAFT | |
| 8 | 12315039230 | 1 | LEVER, THROTTLE | |
| 9 | 12315039230 | 1 | SCREW, THROTTLE LEVER | |
| 10 | 12312039530 | 1 | NEEDLE, HIGH SPEED | |
| 11 | 12311824430 | 1 | NEEDLE, LO SPEED | |
| 12 | 12313419730 | 1 | SCREW, IDLE ADJUST | |
| 13 | 12313311130 | 1 | SPRING, IDLE ADJUST | |
| 14 | 12312409320 | 1 | COVER, FUEL PUMP | |
| 15 | 12311003930 | 1 | SCREW, FUEL PUMP COVER | |
| 16 | 12310037330 | 1 | REPAIR KIT | INCLUDES ITEMS 17-29 |
| 17 | ----- | 4 | SCREW, METERING DIAPHRAGM COVER | |
| 18 | ----- | 1 | DIAPHRAGM, METERING | |
| 19 | ----- | 1 | GASKET, METERING DIAPHRAGM | |
| 20 | ----- | 1 | SCREW, METERING LEVER PIN | |
| 21 | ----- | 1 | PIN, METERING LEVER | |
| 22 | ----- | 1 | LEVER, METERING | |
| 23 | ----- | 1 | VALVE, INLET NEEDLE | |
| 24 | ----- | 1 | SPRING, METERING LEVER | |
| 25 | ----- | 1 | PLUG, WELCH | |
| 26 | ----- | 2 | SPRING, ADJUST NEEDLE | |
| 27 | ----- | 1 | SCREEN, INLET | |
| 28 | ----- | 1 | DIAPHRAGM, FUEL PUMP | |
| 29 | ----- | 1 | GASKET, FUEL PUMP | |
| 30 | 12310105960 | 1 | DIAPHRAGM/GASKET KIT | INCLUDES ITEMS 31-34 |
| 31 | ----- | 1 | DIAPHRAGM, METERING | |
| 32 | ----- | 1 | GASKET, METERING DIAPHRAGM | |
| 33 | ----- | 1 | DIAPHRAGM, FUEL PUMP | |
| 34 | ----- | 1 | GASKET, FUEL PUMP | |

SERIAL NUMBERS: TYPE 1 - 056484 & UP, TYPE 1E - 001001 & UP



SERIAL NUMBERS: TYPE 1 - 056484 & UP, TYPE 1E - 001001 & UP

| ITEM | PART NUMBER | QTY | DESCRIPTION | REMARKS |
|------|-------------|-----|---------------------------------|--------------------------|
| | 12300139132 | 1 | CARBURETOR--WT-402A | |
| 1 | 12314203930 | 1 | COVER, METERING DIAPHRAGM | |
| 2 | ----- | 1 | BODY, CARBURETOR | NOT AVAILABLE SEPARATELY |
| 3 | 12311739630 | 1 | SHAFT, THROTTLE | |
| 4 | 12311347530 | 1 | SPRING, THROTTLE RETURN | |
| 5 | 12311403930 | 2 | SCREW, THROTTLE VALVE | |
| 6 | 12311605230 | 1 | VALVE, THROTTLE | |
| 7 | 12312715030 | 1 | CLIP, THROTTLE SHAFT | |
| 8 | 12315039230 | 1 | LEVER, THROTTLE | |
| 9 | 12311403930 | 2 | SCREW, THROTTLE LEVER | |
| 10 | 12312039230 | 1 | NEEDLE, HIGH SPEED | |
| 11 | 12311839230 | 1 | NEEDLE, LO SPEED | |
| 12 | 12315139230 | 2 | CAP, MIXTURE LIMITER | |
| 13 | 12313419730 | 1 | SCREW, IDLE ADJUST | |
| 14 | 12313311130 | 1 | SPRING, IDLE ADJUST | |
| 15 | 12312409320 | 1 | COVER, FUEL PUMP | |
| 16 | 12311003930 | 1 | SCREW, FUEL PUMP COVER | |
| 17 | 12310039130 | 1 | REPAIR KIT | INCLUDES ITEMS 18-29 |
| 18 | ----- | 4 | SCREW, METERING DIAPHRAGM COVER | |
| 19 | ----- | 1 | DIAPHRAGM, METERING | |
| 20 | ----- | 1 | GASKET, METERING DIAPHRAGM | |
| 21 | ----- | 1 | SCREW, METERING LEVER PIN | |
| 22 | ----- | 1 | PIN, METERING LEVER | |
| 23 | ----- | 1 | LEVER, METERING | |
| 24 | ----- | 1 | VALVE, INLET NEEDLE | |
| 25 | ----- | 1 | SPRING, METERING LEVER | |
| 26 | ----- | 1 | PLUG, WELCH | |
| 27 | ----- | 1 | SCREEN, INLET | |
| 28 | ----- | 1 | DIAPHRAGM, FUEL PUMP | |
| 29 | ----- | 1 | GASKET, FUEL PUMP | |
| 30 | 12310105960 | 1 | DIAPHRAGM/GASKET KIT | INCLUDES ITEMS 31-34 |
| 31 | ----- | 1 | DIAPHRAGM, METERING | |
| 32 | ----- | 1 | GASKET, METERING DIAPHRAGM | |
| 33 | ----- | 1 | DIAPHRAGM, FUEL PUMP | |
| 34 | ----- | 1 | GASKET, FUEL PUMP | |