

25 CENTS



PIONEER
CHAIN SAWS

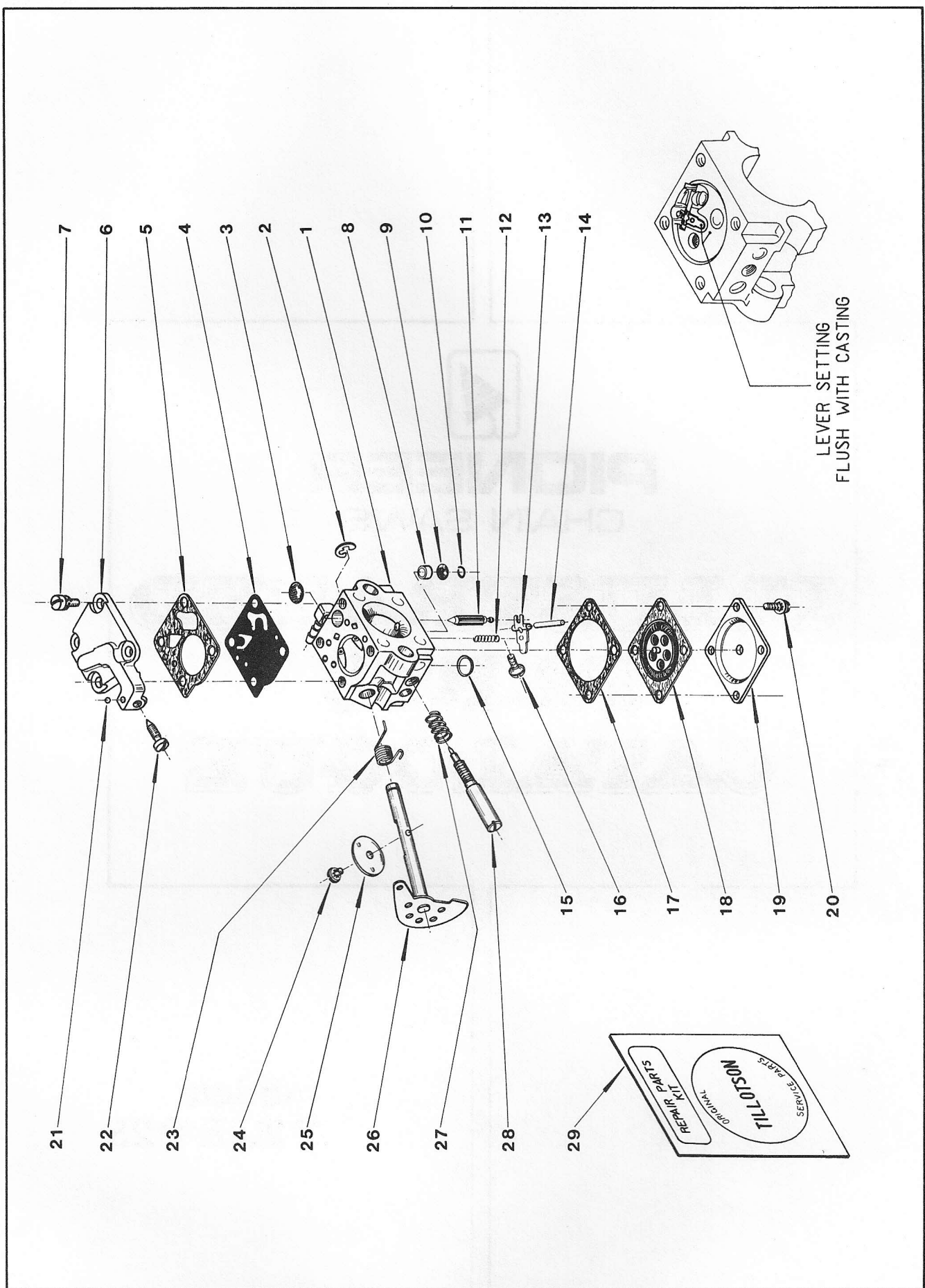
ILLUSTRATED
PARTS
CATALOGUE

models
P20 & P25

PART NO. 430452



OUTBOARD MARINE CORP. reserves the right to change weight, construction materials, specifications, or prices without notice and without obligations.

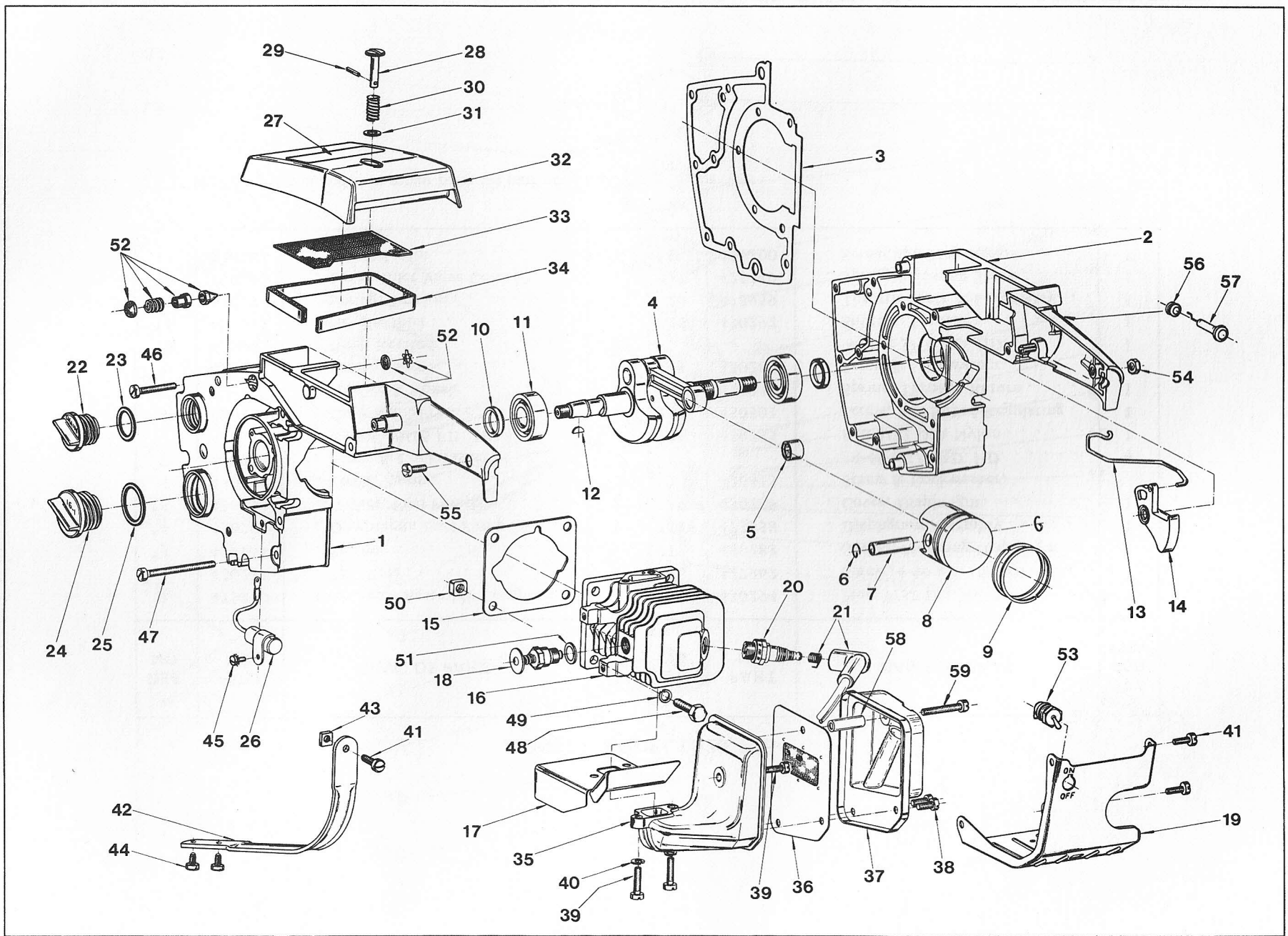


PIONEER MODELS P20, P25

REF. NO.	PART NO.	NAME OF PART	QTY. PER ASSY.	REF. NO.	PART NO.	NAME OF PART	QTY. PER ASSY.
1	473870	Carburetor Assembly Complete . .	1	*15	430294	. Plug, 9/32 Dia. Welch	1
2	430281	. "E" Ring	1	*16	427962	. Screw, 4-40 x 5/16 Oval Hd. . .	1
*3	427951	. Screen	1	*17	430288	. Gasket, Metering Diaphragm . .	1
*4	430290	. Diaphragm, Fuel Pump	1	*18	473958	. Diaphragm Assembly	1
*5	430291	. Gasket, Fuel Pump	1	19	430289	. Cover, Diaphragm	1
6	430298	. Cover, Pump	1	20	426415	. Screw & Lockwasher, 4-40 x 1/4 RD. HD.	4
7	430296	. Screw & Lockwasher (6-32 x 5/16 FIL. HD.)	4	21	430285	. Ball 3/32 DIA Nylon	1
8	430302	. Cage, Main Fixed - Orifice & Nozzle	1	*22	430301	. Screw, Idle Spped Regulating . .	1
9	427942	. Screen	1	*23	430299	. Spring, Throttle Return	1
10	427943	. Ring, Retainer	1	*24	430280	. Screw & Lockwasher, 4-40 x 3/16 RD. HD.	1
11	427952	. Needle, Inlet	1	25	430292	. Shutter, Throttle	1
*12	430293	. Spring, Tension	1	26	473959	. Throttle Shaft & Lever Assy. . .	1
*13	430297	. Lever, Inlet Valve Control	1	*27	425449	. Spring Adjusting Screw	1
*14	430295	. Pin, Fulcrum	1	28	430300	. Screw, Idle Adjustment	1

* NOTE: Parts included in repair parts kit part no. 473960

INDENTED PART NAMES INDICATE THAT THESE PARTS ARE INCLUDED IN PRECEDING ASSEMBLY
 ORDER ALL PARTS FROM YOUR LOCAL AUTHORIZED DEALER



PIONEER MODELS P20, P25

INDENTED PART NAMES INDICATE THAT THESE PARTS ARE INCLUDED IN PRECEDING ASSEMBLY
ORDER ALL PARTS FROM YOUR LOCAL AUTHORIZED DEALER

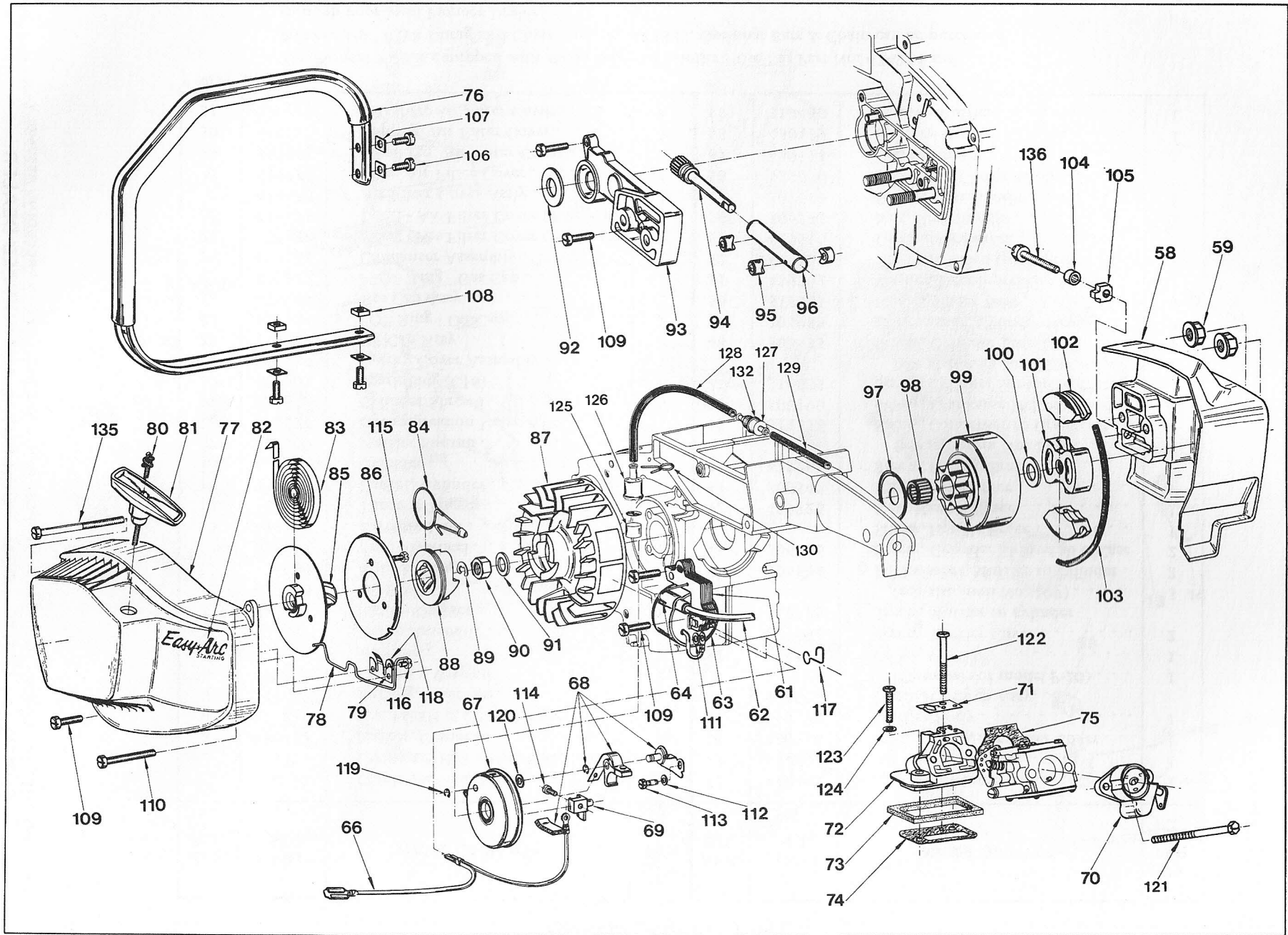
4

REF. NO.	PART NO.	NAME OF PART	QTY. PER ASSY.	REF. NO.	PART NO.	NAME OF PART	QTY. PER ASSY.
1	474422	Crankcase Half Assy., Mag. Side . .	1	32	430445	. Air Filter Cover	1
2	474423	Crankcase Half Assy., Strut Side .	1	33	430520	Air Filter Element	1
3	430442	Gasket, Crankcase	1	34	430519	Sealing Strip, Air Filter Cover . . .	1
4	473176	Crankshaft & Conrod Assy.	1	35	429593	Muffler Body	1
5	427662	Bearing, Wrist pin	1	36	473916	Baffle & Screen Assy. (Optional for model P-20) . . .	1
6	427671	Retainer, Wristpin	2				
7	429216	Wristpin	1	37	474419	Cover, Muffler	1
8	473150	Piston Assembly	1	38	307193	Screw, Muffler Cover	2
9	473155	Piston Ring set	1	39	510195	Screw, Muffler to cylinder (see also item No. 109)	3
10	428746	Oil Seal	2				
11	427849	Main Bearing	2	40	306546	Lockwasher, Muffler to cylinder .	2
12	429271	Key, Flywheel	1	41	306286	Screw, Cylinder Shroud to C'Case	2
13	430119	Throttle Link	1			Screw, Handle Brace	1
14	427696	Throttle Trigger	1	42	429726	Rear Handle Brace	1
15	429262	Gasket, Cylinder	1	43	306542	Nut, Handle brace	1
16	430398	Cylinder	1	44	429266	Screw, Handle Brace (see also item No. 114)	2
17	429309	Muffler Shroud	1				
18	473524	Decompression Valve Assy.	1	45	311516	Screw, Condenser to Crankcase . .	1
19	429852	Cylinder Shroud	1	46	307190	Screw, Crankcase Halves	12
20	428601	Spark Plug (CJ6)	1	47	316133	Screw, Cylinder Shroud to C'case (see also item No. 110)	1
21	580339	Sparky Cover Assembly	1				
22	473770	Oil Cap Assy.	1	48	300635	Screw, Cylinder Base	4
23	429324	"O" Ring - Oil Cap	1	49	306985	Lockwasher, Cylinder Base	4
24	473769	Gas Cap Assy.	1	50	315381	Nut, Cylinder Base	4
25	429322	"O" Ring - Gas Cap	1	51	429702	Washer, Decompression Valve . .	1
26	473161	Condenser Assembly	1	52	473589	Air Vent Valve (packaged)	1
27	430474	Decal - Air Filter Cover (P-20 only)	1	53	429590	Grounding Switch	1
27	430475	Decal - Air Filter Cover (P-25 only)	1	54	306531	Nut, Rear Handle	1
*	474425	Air Filter Cover Ass'y	1	55	307175	Screw, Rear Handle	1
28	430111	. Pin, Air Filter Cover	1	56	429650	Grommet, Choke Knob	1
29	309301	. Roll Pin, Air Filter Cover	1	57	430113	Choke Knob	1
30	430115	. Spring, Air Filter Cover	1	58	430439	Spacer - Muffler	1
31	430112	. Washer, Air Filter Cover	1	59	319430	Screw - Muffler	1

* NOT SHOWN

The Pioneer P-25 is equipped with the Pioneer 16" Roller Nose Bar Part No. 474254 and Pioneer 3/8" Pitch Duraguard Chain Part No. 473885. Optional Bars & Chain can be purchased through your local Pioneer Dealer.

The Pioneer Model P-20 is equipped with the Pioneer Bar Part No. 473924 and Pioneer 3/8 Pitch Duraguard Chain Part No. 473877. Optional Bars & Chain can be purchased through your local Pioneer Dealer.



PIONEER MODELS P20, P25

REF. NO.	PART NO.	NAME OF PART	QTY. PER ASSY.	REF. NO.	PART NO.	NAME OF PART	QTY. PER ASSY.
58	474418	Strut Assembly	1	100	429252	Thrust Washer, Outer Clutch . . .	1
59	429903	Flange Nut	2	101	429250	Clutch Driver	1
61	473341	Core Assembly	1	102	429251	Clutch Shoe	2
62	427745	H.T. Lead	1	103	426964	Garter Spring	1
63	473340	Coil with H.T.	1	104	429637	Chain Adjuster, Stop Chain Tensioner	1
64	429422	Retainer	1				
66	473627	Switch Wire Assembly	1	105	425672	Spring, Chain Adj. , Pin, Chain Tensioner	1
67	429929	Ignition Cover	1				
68	473750	Breaker Point Set with Wiper . . .	1	106	510338	Screw, Front Handle	4
69	429925	Terminal Block	1	107	429472	Washer, Front Handle	4
70	473858	Blowback Tube & Choke Assy. . . .	1	108	306542	Nut, Front Handle	2
71	430110	Bracket, Air Filter Cover	1	109	510195	Screw, Bar Pad to Crankcase . . .	2
*	473865	Insulating Block Assy. Complete .	1			Screw, Blower Cover to C'case . .	1
72	430105	● Insulating Block	1			Screw, Coil Lamination	2
73	429305	● Seal - Insulating Block	1			(see also item No. 39)	
74	430102	● Gasket - Cyl. to Intake	1	110	316133	Screw, Blower Cover to C'case . .	1
75	430103	● Gasket - Insulating Bl. to Carb. .	1			(see also item No. 47)	
76	474520	Front Handle Assembly	1	111	300154	Washer, Lamination	1
77	474420	Blower Cover Assy.	1	112	303497	Washer, Base Breaker Plate	1
78	429573	Lever, Decompression Valve	1	113	429928	Screw, Base Breaker Plate	1
79	429575	Spring, Lever	1	114	429266	Screw, Terminal	1
80	429278	Starter Rope	1			(see also item No. 44)	
81	429549	Starter Handle	1	115	602821	Screw, Plate, Pulley	3
82	430534	Decal "Easy* Arc"	1	116	309467	Screw, Decompression Valve	2
83	604257	Starter Spring	1	117	430052	Clip Assy., H. T. Lead	1
84	473637	Yoke Assy.	1	118	308507	Washer, Decompression	1
85	429242	Starter Pulley	1	119	202755	Retaining Ring, Breaker Pin	1
86	429243	Plate, Pulley	1	120	429927	Seal, Breaker Housing	1
87	473160	Flywheel Assembly	1	121	318521	Screw, Carburetor	2
88	429892	Pinion	1	122	316781	Screw, Insulating Block	1
89	429246	Retaining Ring	1	123	305879	Screw, Insulating Block	1
90	404837	Nut, Flywheel	1	124	305863	Fuel Pick-up Assembly	1
91	429851	Washer, Flywheel	1	125	473459	Washer, Insulating Block	1
92	427917	Seal Washer	1	126	425670	Felt - Pickup	1
93	430352	Bar Pad	1	127	473772	Connector ass'y.-Pickup Head to Tank Wall	1
94	473166	Plunger Assembly, Oil Pump	1				
95	429274	Spacer, Oil Pump	3	128	429677	Fuel Line - Pickup Head	1
96	473869	Pump Sleeve Assy., Oil Pump . . .	1	129	430106	Fuel Line - Tank to Carb.	1
97	429672	Thrust Washer, Inner Clutch	1	130	429471	Clamp	1
98	429526	Bearing, Clutch	1				
99	474447	Sprocket & Clutch Drum Assy . . .	1	132	305857	"O" Ring - Connector	1
				135	430444	Screw, Blower Cover to C'case . .	1
				136	201767	Screw, Chain Tensioner	1

* NOT SHOWN

INDENTED PART NAMES INDICATE THAT THESE PARTS ARE INCLUDED IN PRECEDING ASSEMBLY
 ORDER ALL PARTS FROM YOUR LOCAL AUTHORIZED DEALER