

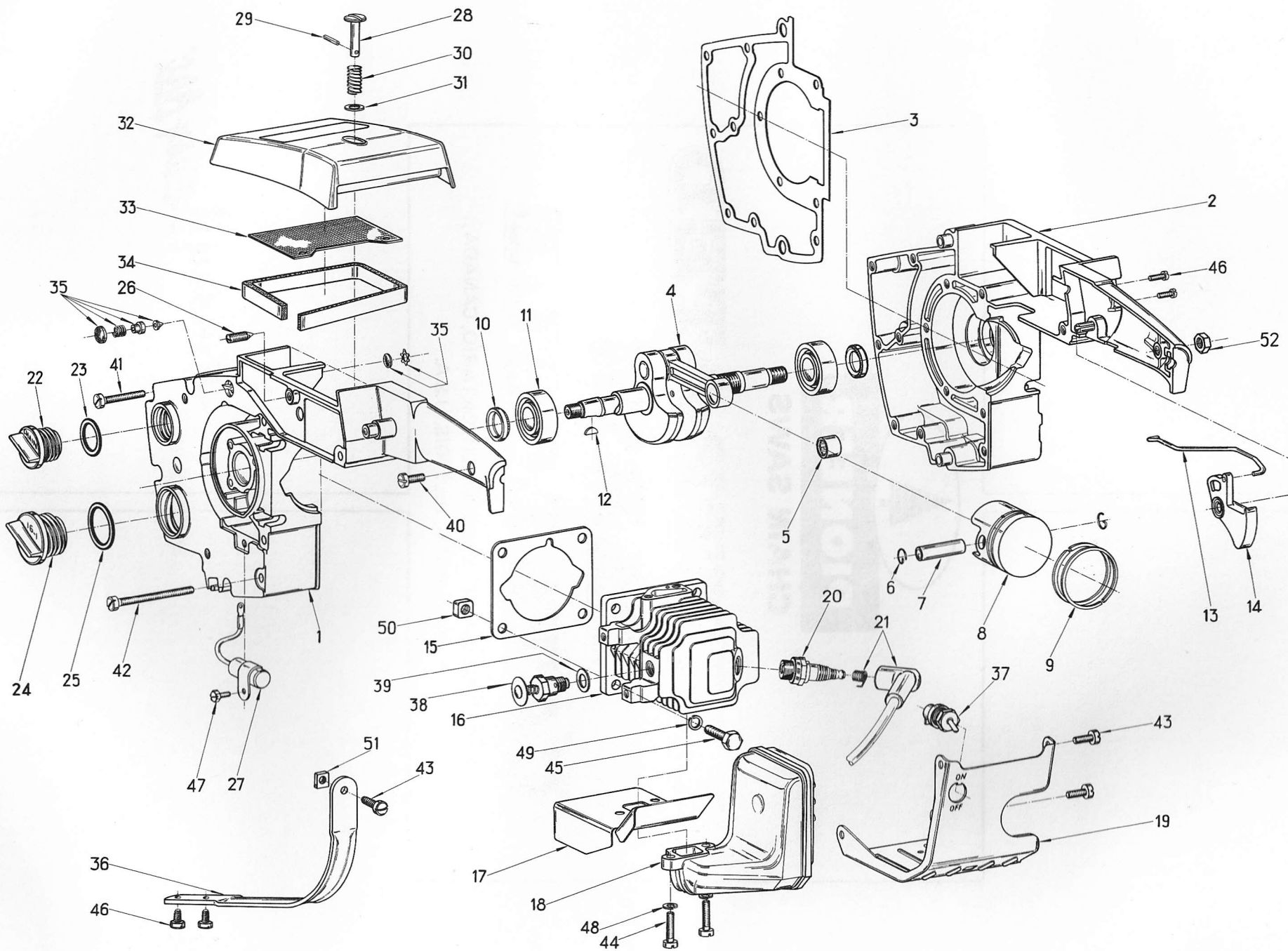


PIONEER
CHAIN SAWS

ILLUSTRATED PARTS CATALOGUE

PIONEER SAWS, PETERBOROUGH, ONTARIO, CANADA;
GALESBURG, ILLINOIS, U.S.A.

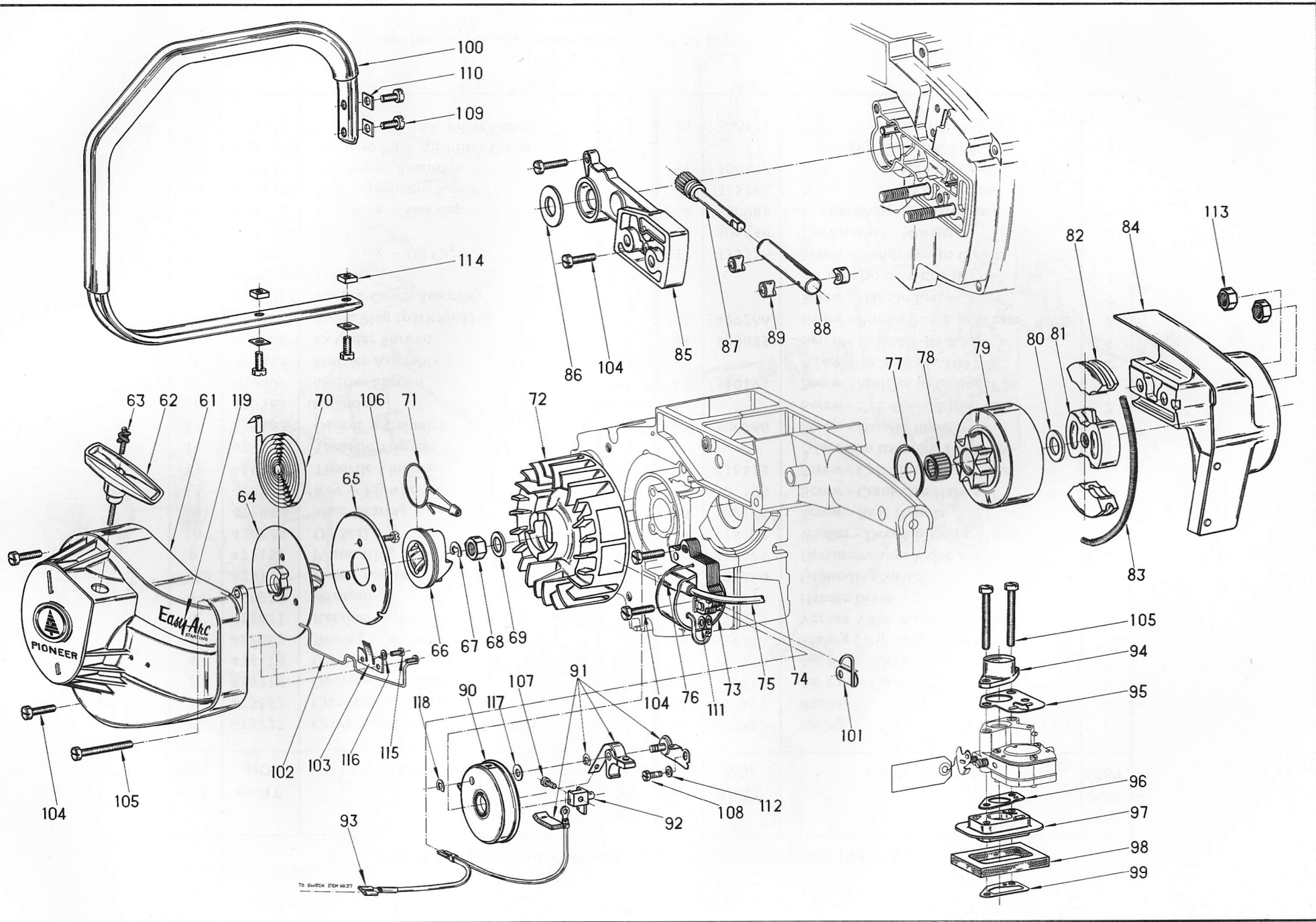
Holiday II
WITH *Easy-Arc*[®]
STARTING



PIONEER HOLIDAY II with EASY ARC STARTING (MODEL 1072)

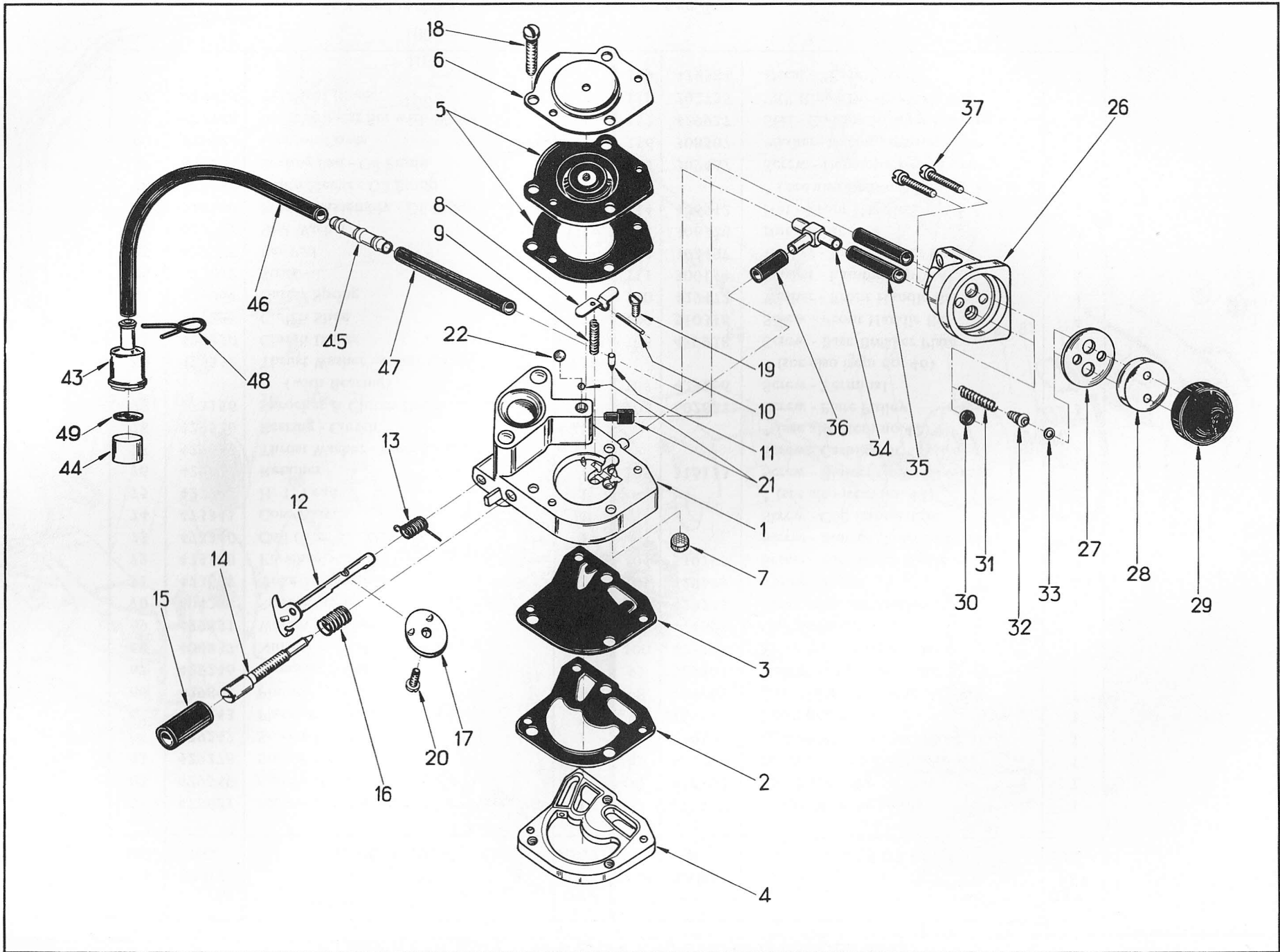
REF. NO.	PART NO.	NAME OF PART	QTY. PER ASSY.	REF. NO.	PART NO.	NAME OF PART	QTY. PER ASSY.
1	473727	Crankcase Half Assy.—Mag.Side	1	30	429312	Spring - Air Filter Cover	1
2	473152	Crankcase Half Assy.—Strut Side	1	31	552499	Washer - Air Filter Cover	1
3	429228	Gasket - Crankcase	1	32	429311	Air Filter Cover	1
4	473176	Crankshaft & Conrod Assy.	1	33	429310	Air Filter Element	1
5	427662	Bearing — Wristpin	1	34	429276	Sealing Strip - Air Filter Cover	1
6	427671	Retainer — Wristpin	2	35	473589	Vernay Valve Assembly Complete	1
7	429216	Wristpin	1	36	429478	Handle Brace	1
8	473150	Piston Assembly	1	37	429590	Grounding Switch	1
9	473155	Piston Ring Set	1	38	473524	Decompression Valve Assy.	1
10	428746	Oil Seal	2	39	429702	Washer - Decompression Valve	1
11	427849	Main Bearing	2	40	307175	Screw - Rear Handle	1
12	429271	Key — Flywheel	1	41	307190	Screw - Crankcase Halves	13
13	429261	Throttle Link	1	42	316133	Screw - Cyl. Shroud to C'case	
14	427696	Throttle Trigger	1			* (see also item no. 105)	1
15	429262	Gasket — Cylinder	1	43	306286	Screw - Handle Brace	
16	429561	Cylinder	1			Screw - Cyl. Shroud to C'case	2
17	429309	Muffler Shroud	1	44	510195	Screw - Muffler to Cylinder	
18	473172	Muffler Assembly	1			* (see also item no. 104)	2
19	429800	Cylinder Shroud	1	45	300635	Screw - Cylinder Base	4
20	428601	Spark Plug (packaged)	1	46	429266	Screw - Primer Pump to C'case	2
21	580339	Sparky Cover Assembly	1			Screw - Handle Brace	2
22	473770	Oil Cap	1			* (see also item no. 107)	2
23	429324	“O” Ring — Oil Cap	1	47	311516	Screw - Condenser to C'case	1
24	473769	Gas Cap	1	48	306546	Lockwasher - Muffler	2
25	429322	“O” Ring — Gas Cap	1	49	306985	Lockwasher - Cylinder Base	4
26	429376	Idle Adjustment Screw	1	50	315381	Nut - Cylinder Base	4
27	473161	Condenser Assembly	1	51	306542	Nut - Handle Brace	1
28	429313	Fastener Pin - Air Filter Cover	1			* (see also item no. 114)	1
29	429314	Pin - Air Filter Cover	1	52	306531	Nut - Rear Handle	1

* Fastenings used in this application are also listed on page 9.



PIONEER HOLIDAY II with EASY ARC STARING (MODEL 1072)

REF. NO.	PART NO.	NAME OF PART	QTY. PER ASSY.	REF. NO.	PART NO.	NAME OF PART	QTY. PER ASSY.
61	473621	Blower Cover & Starter Shaft Assy.	1	93	473627	Switch Wire Assembly	1
62	429549	Starter Handle	1	94	429304	Blowback Tube	1
63	429278	Starter Rope	1	95	429306	Bracket - Air Filter Cover	1
64	429242	Starter Pulley	1	96	429303	Gasket - Carb. to Ins. Block	1
65	429243	Plate - Pulley	1	97	429302	Insulating Block	1
66	429892	Pinion	1	98	429305	Gasket - Ins. Block to Air Box	1
67	429246	Retaining Ring	1	99	429301	Gasket - Cylinder to Ins. Block	1
68	404837	Nut - Flywheel	1	100	473175	Front Handle Assembly	1
69	429851	Washer Flywheel	1	101	473651	Clip Assembly	1
70	604257	Starter Spring	1	102	429573	Lever - Decompression Valve	1
71	473637	Yoke & Sleeve Assy.	1	103	429575	Spring - Lever	1
72	473160	Flywheel Assembly	1	104	510195	Screw - Bar Pad to C'case	2
73	473340	Coil (with H. T. Lead)	1			Screw - Blower Cover to C'case	2
74	473341	Core Assy.	1			Screw - Coil Lamination	2
75	427745	H. T. Lead	1			* (see also item no. 42)	
76	429422	Retainer	1	105	316133	Screw - Blower Cover to C'case	1
77	429672	Thrust Washer - Inner Clutch	1			Screw - Carburetor	2
78	429526	Bearing - Clutch	1			* (see also item no.42)	
79	473156	Sprocket & Clutch Drum Assy. (with Bearing)	1	106	602821	Screw - Plate Pulley	3
			1	107	429266	Screw - Terminal	1
80	429252	Thrust Washer - Outer Clutch	1			* (see also item no. 46)	
81	429250	Clutch Driver	1	108	429928	Screw - Base Breaker Plate	1
82	429251	Clutch Shoe	2	109	510338	Screw - Front Handle Bar	4
83	426964	Garter Spring	1	110	429472	Washer - Front Handle Bar	4
84	473612	Strut	1	111	300154	Washer - Lamination	1
85	429277	Bar Pad	1	112	303497	Washer - Base Breaker Plate	1
86	427917	Seal Washer	1	113	306320	Nut - Strut	2
87	473166	Plunger Assembly - Oil Pump	1	114	306542	Nut - Front Handle	2
88	429233	Pump Sleeve - Oil Pump	1			* (see also item no. 51)	
89	429274	Sealing Pad - Oil Pump	3	115	309467	Screw - Decompression Lever	2
90	429929	ignition Cover	1	116	308507	Washer - Decompression Lever	1
91	473750	Breaker Point Set with Wiper	1	117	429927	Seal - Contact Breaker Housing	1
92	429925	Terminal Block	1	118	202755	"E" Ring - Breaker Arm Pin	1
				119	429584	Decal - "Easy * Arc"	1



FUEL SYSTEM GROUP

ITEM NO.	PART NO.	NAME OF PART	QTY. PER ASSY	ITEM NO.	PART NO.	NAME OF PART	QTY. PER ASSY.
CARBURETOR COMPLETE							
1	473688	Carburetor Complete	1	13	429404	Spring - Throttle Return	1
2	429286	Gasket - Diaphragm - Fuel Pump	1	14	429455	Adjustment Needle	1
3	429285	Diaphragm - Fuel Pump	1	15	429449	Hose - Low Speed Adjustment	1
4	429293	Cover - Fuel Pump	1	16	310393	Spring - Needle	1
5	473600	Diaphragm Assembly	1	17	429297	Throttle Valve	1
6	429294	Cover - Diaphragm	1	18	316056	Screw - Cover to Carb.	3
7	429292	Screen	1	19	317267	Screw - Inlet Pin	1
8	429772	Lever - Inlet Control	1	20	303760	Screw - Throttle	1
9	429298	Spring - Lever - Inlet Valve	1	21	473383	Plug and Ball - Metering Valve	1
10	429299	Pin - Lever - Inlet Valve	1			Assembly	1
11	429427	Needle - Inlet Valve - Carb.	1	22	304201	Lead Shot	2
12	473170	Throttle Shaft & Lever Assy.	1				
PART NO. 473174 - PRIMER PUMP ASSEMBLY COMPLETE							
26	429316	Primer Body	1	33	308528	"O" Ring-Stem	1
27	429419	Gasket - Plate to Primer Body	1	34	427896	Tee Fitting	1
28	429420	Valve Plate	1	35	429451	Fuel Hose - to Carb. (1)	1
29	429413	Bulb	1			Fuel Hose - Tee to Primer (1)	2
30	429320	Disc Valve	1	36	429416	Fuel Hose - Tee to Carb.	1
31	426837	Spring - Valve	1	37	429421	Screw - Self Tapping	2
32	426835	Stem - Valve	1				
FUEL PICKUP ONLY							
43	473459	Fuel Pick-up Assembly	1	46	429677	Fuel Line - Pickup Head	1
44	425670	Felt - Pickup	1	47	429383	Fuel Line - Tank to "T"	1
45	473772	Connector Ass'y - Pickup Head to Tank	1	48	429471	Clamp	1
		Wall	1	49	429530	Screen - Fuel - Pickup	1
				50	305857	"O"-Ring - Connector	1