

25 CENTS



**PIONEER**

**CHAIN SAWS**

**ILLUSTRATED  
PARTS  
CATALOGUE**

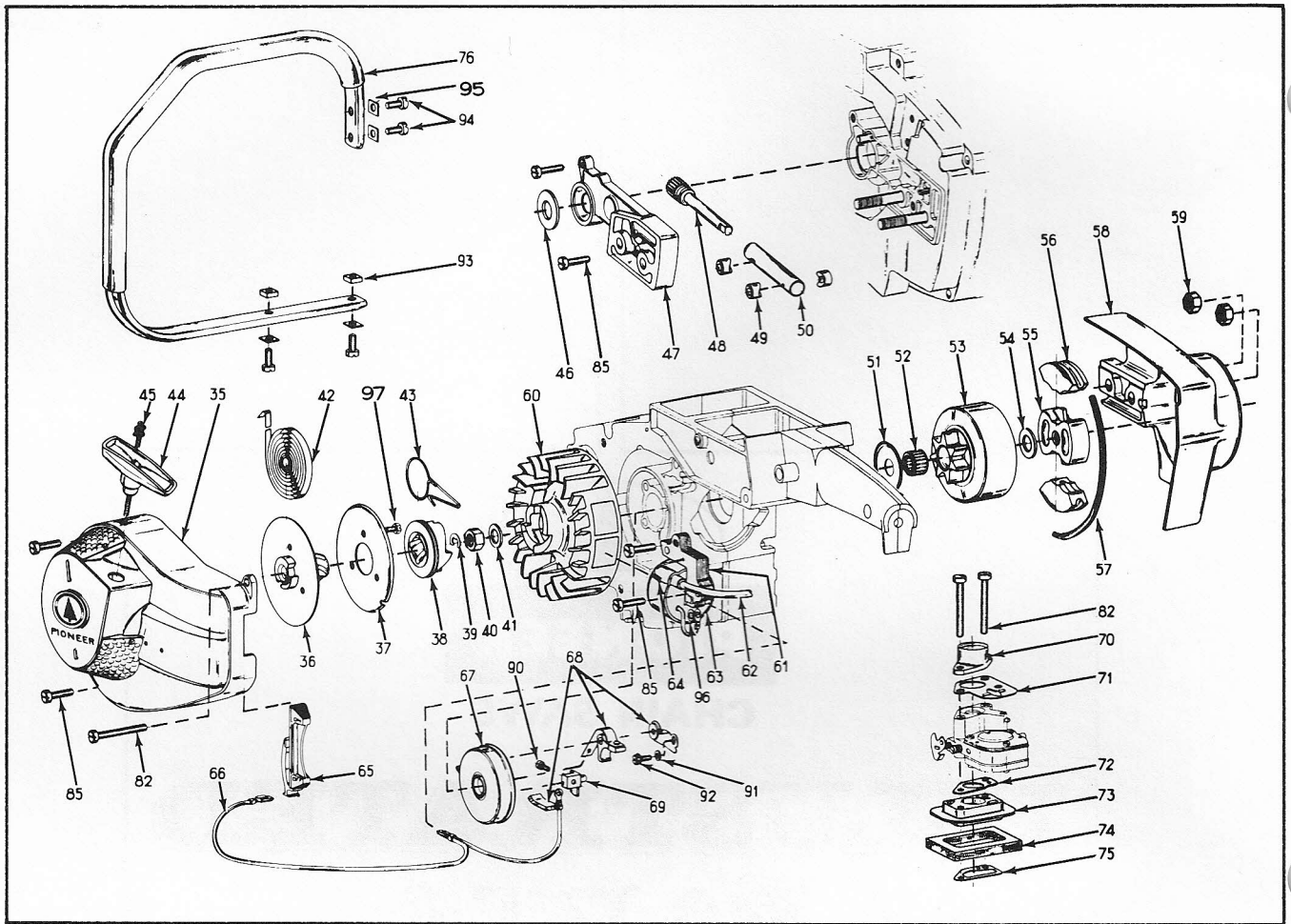
PIONEER SAWS, PETERBOROUGH, ONTARIO, CANADA;  
LINCOLN, NEBRASKA, U.S.A.

LITHO U.S.A.

**HOLIDAY II  
MODEL 970**

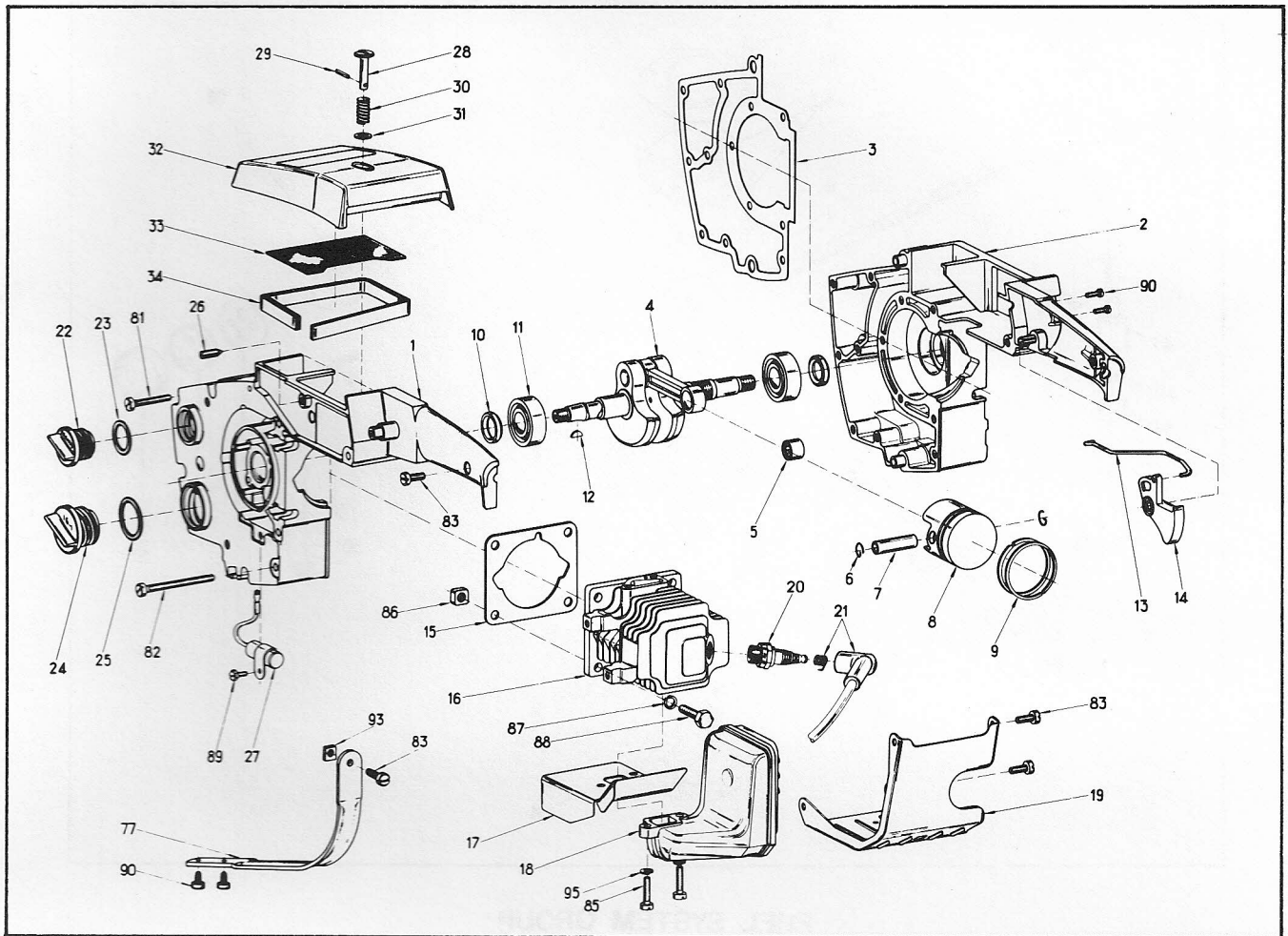
PART NO. 430265 11-72

## HOLIDAY II



REF. NO.	PART NO.	NAME OF PART	QTY. PER ASSY.	REF. NO.	PART NO.	NAME OF PART	QTY. PER ASSY.
51	429672	Thrust Washer-Inner Clutch	1	77	429478	Rear Handle Brace	1
52	429526	Bearing-Clutch	1	81	307190	Screw-Crankcase Halves	13
53	473156	Sprocket & Clutch Drum Assy. Bearings, Complete	1	82	316133	Screw-Cyl. Shroud to C'case	1
54	429252	Thrust Washer-Outer Clutch	1			Screw-Blower Cover to C'case	1
55	429250	Clutch Driver	1	83	306286	Screw-Carburetor	2
56	429251	Clutch Shoe	2			Screw-Rear Handle	1
57	426964	Garter Spring	1			Screw-Cyl. Shroud to C'case	2
58	429214	Strut	1	85	510195	Screw-Handle Brace	1
59	306320	Nut-Strut	2			Screw-Muffler to Cylinder	2
60	473160	Flywheel Assembly	1			Screw-Bar Pad to C'case	2
61	473341	Core Assy.	1			Screw-Blower Cover to C'case	2
62	427745	H. T. Lead	1	86	315381	Screw-Coil Lamination	2
63	473340	Coil (Less H. T. Lead)	1	87	306985	Nut-Cylinder Base	4
64	429422	Retainer	1	88	300635	Lockwasher-Cylinder Base	4
65	429270	Switch Body	1	89	311516	Screw-Cylinder Base	4
66	473627	Switch Wire Assembly	1			Screw-Condenser to C'case	1
67	429268	Ignition Cover	1	90	429266	Screw-Primer Pump to C'case	2
68	473330	Breaker Point Set With Wiper	1			Screw-Terminal	1
69	429925	Terminal Block	1			Screw-Handle Brace	2
70	429304	Blowback Tube	1	91	303497	Washer-Base Breaker Plate	1
71	429306	Bracket-Air Filter Cover	1	92	311516	Screw-Base Breaker Plate	1
72	429303	Gasket-Carb. to Ins. Block	1	93	306542	Nut-Front Handle	2
73	429302	Insulating Block	1			Nut-Handle Brace	1
74	429305	Gasket-Ins. Block to Airbox	1	94	510338	Screw-Front Handle	4
75	429301	Gasket-Cylinder to Ins. Block	1	95	429472	Washer-Front Handle Bar	4
76	473175	Front Handle Assembly	1	96	300154	Washer-Lamination	1
				97	602821	Screw-Plate Pulley	3

HOLIDAY II



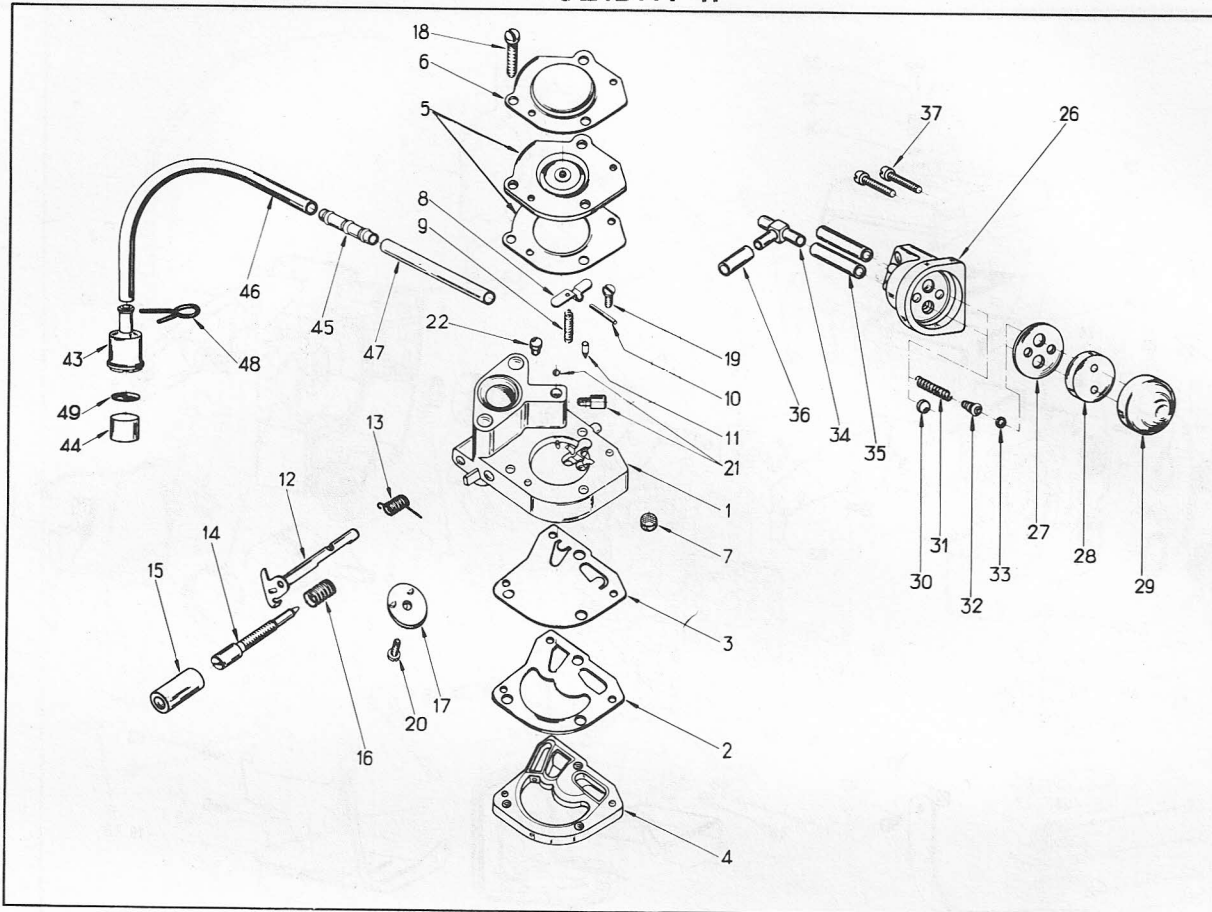
Item No.	Part No.	Description	Qty. Req'd.
1	473590	Crankcase Half Assy.-Mag. Side	1
2	473152	Crankcase Half Assy.-Strut Side	1
3	429228	Gasket-Crankcase	1
4	473176	Cranksaft & Conrod Assy.	1
5	427662	Bearing-Wristpin	1
6	427671	Retainer-Wristpin	2
7	429216	Wristpin	1
8	473150	Piston Assembly	1
9	473155	Piston Ring Set	1
10	428746	Oil Seal	2
11	427849	Main Bearing	2
12	429271	Key-Flywheel	1
13	429261	Throttle Link	1
14	427696	Throttle Trigger	1
15	429262	Gasket-Cylinder	1
16	429256	Cylinder	1
17	429309	Muffler Shroud	1
18	473172	Muffler Assembly	1
19	429236	Cylinder Shroud	1
20	428601	Spark Plug (CJ6)	1
21	580339	Sparky Cover Assembly	1
22	429323	Oil Cap	1
23	429324	"O" Ring-Oil Cap	1
24	429321	Gas Cap	1
25	429322	"O" Ring-Gas Cap	1
26	429376	Idle Adjustment Screw	1
27	473161	Condenser Assembly	1

Item No.	Part No.	Description	Qty. Req'd.
28	429313	Fastener Pin-Air Filter Cover	1
29	429314	Pin-Air Filter Cover	1
30	429312	Spring-Air Filter Cover	1
31	302417	Washer-Air Filter Cover	1
32	429311	Air Filter Cover	1
33	429310	Air Filter Element	1
34	429276	Sealing Strip-Air Filter Cover	1
35	473145	Blower Cover & Starter Shaft Assy	1
36	429242	Starter Pulley	1
37	429243	Plate-Pulley	1
38	429244	Pinion	1
39	429246	Retaining Ring	1
40	404837	Nut-Flywheel	1
41	429851	Washer-Flywheel	1
42	604257	Starter Spring	1
43	429572	Yoke	1
44	311372	Starter Handle	1
45	429278	Starter Rope	1
46	429254	Seal Washer	1
47	429277	Bar Pad	1
48	473166	Plunger Assembly-Oil Pump	1
49	429274	Sealing Pad-Oil Pump	3
50	429233	Pump Sleeve-Oil Pump	1
*	429529	Pivot Grip-Optional Accessory	
*	429580	Chain Adjuster-Optional Accessory	
*	429581	Spring-Chain Adjuster-Optional Accessory	

\* Not Shown



## HOLIDAY II



### FUEL SYSTEM GROUP

REF. NO.	PART NO.	NAME OF PART	QTY. PER ASSY.	REF. NO.	PART NO.	NAME OF PART	QTY. PER ASSY.
<b>CARBURETOR COMPLETE</b>							
1	473688	Carb. Assy.	1	13	429404	Spring - Throttle Return	1
2	429286	Gasket - Diaphragm-Fuel Pump	1	14	429455	Adjustment Needle	1
3	429285	Diaphragm - Fuel Pump	1	15	429449	Hose - Low Speed Adjustment	1
4	429293	Cover - Fuel Pump	1	16	310393	Spring-Needle	1
5	473600	Diaphragm Assembly	1	17	429297	Throttle Valve	1
6	429294	Cover - Diaphragm	1	18	316056	Screw - Cover to Carb.	1
7	429292	Screen	1	19	317267	Screw - Inlet Pin	1
8	429772	Lever - Inlet Control	1	20	303760	Screw - Throttle	1
9	429298	Spring - Lever - Inlet Valve	1	21	473383	Plug and Ball-Metering Valve Assembly	1
10	429299	Pin-Lever-Inlet Valve	1				
11	429427	Needle-Inlet Valve-Carb.	1	22	304201	Lead Shot	1
12	473170	Throttle Shaft & Lever Assy.	1				
<b>PART NO. 473174 - PRIMER PUMP ASSEMBLY COMPLETE - Includes †</b>							
26	429316	† Primer Body	1	32	426835	† Stem-Valve	1
27	429419	† Gasket-Plate to Primer Body	1	33	308528	† "O" Ring-Stem	1
28	429420	† Valve Plate	1	34	427896	Tee Fitting	1
29	429413	† Bulb	1	35	429451	Fuel Hose - to Carb. (1)	1
30	429320	† Disc Valve	1			Fuel Hose - Tee to Primer (1)	2
31	426837	† Spring-Valve	1	36	429416	Fuel Hose - Tee to Carb.	1
				37	429421	† Screw - Self Tapping	2
<b>FUEL PICKUP ONLY</b>							
43	473459	Fuel Pick-up Assembly	1	46	429241	Fuel Line-Pickup Head	1
44	425670	Felt-Pickup	1	47	429383	Fuel Line- Tank to "T"	1
45	429821	Connector-Pickup Head to Tank Wall	1	48	429471	Hose Clamp	1
				49	429530	Screen - Fuel - Pickup	1