

25 CENTS



PIONEER

CHAIN SAWS

**ILLUSTRATED
PARTS
CATALOGUE**

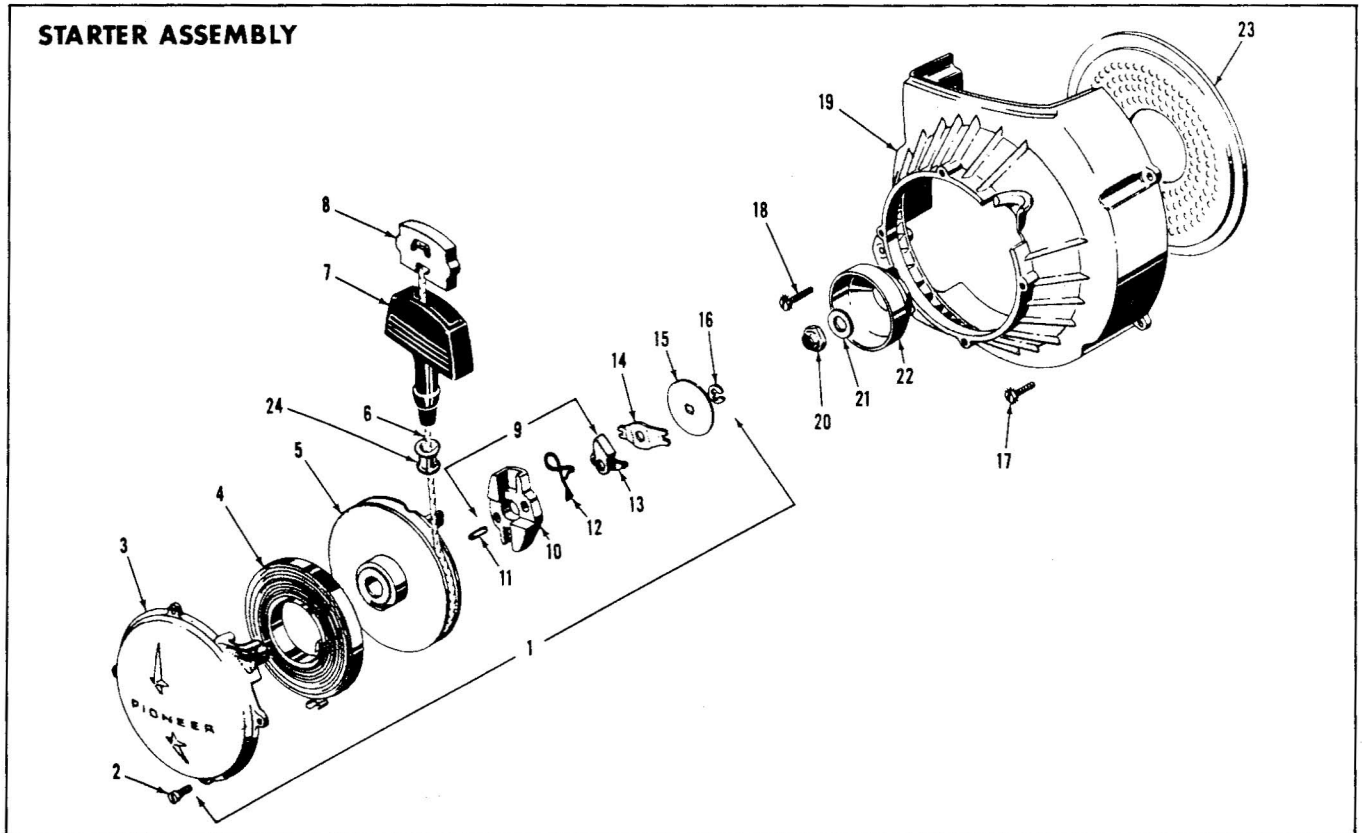
PIONEER SAWS, PETERBOROUGH, ONTARIO, CANADA;
LINCOLN, NEBRASKA, U.S.A.

LITHO U.S.A.

**MODELS
750 AND 850**

PART NO. 430249 11-72

MODELS 750 (DIRECT DRIVE) AND 850 (GEAR DRIVE)

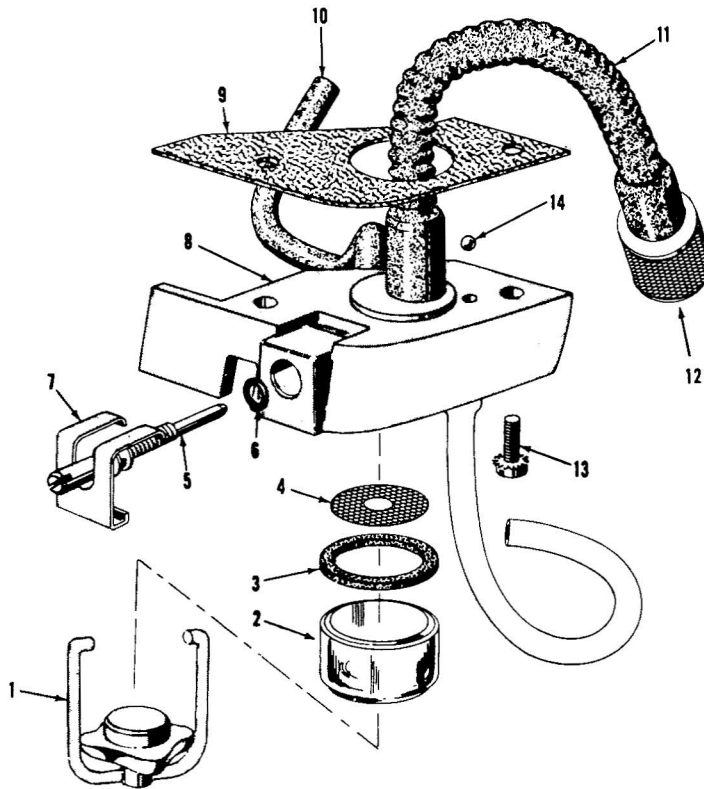


STARTER ASSEMBLY PARTS LIST

Ref. No.	Part No.	Description	Qty. Req'd.
1	470968	Starter Assembly	1
2	302948	. Screw (Cover to Housing)	4
3	470969	. Starter Cover Assembly	1
4	471587	. Starter Rewind Spring (Pkg.)	1
5	427159	. Starter Pulley	1
6	425846	. Starter Cord	1
7	427370	. Starter Handle	1
8	304323	. Anchor	1
9	470970	. Starter Pawl Assembly	1
10	427161	. . Pawl Block	1
11	427145	. . Roll Pin	2
12	427163	. . Pawl Spring	1
13	427162	. . Pawl	1
14	427164	. Friction Spring	1
15	427165	. Friction Plate	1
16	202139	. "E" Ring	1
17	302948	Screw (Blower to Crankcase)	3
18	305725	Screw (Blower, Lamination Crankcase)	1
19	427156	Blower Cover	1
20	425916	Flywheel Nut	1
21	304671	Washer	1
22	427167	Starter Cup	1
23	427168	Rotating Screen	1
24	303560	Eyelet	1

MODELS 750 (DIRECT DRIVE) AND 850 (GEAR DRIVE)

FUEL FILTER SYSTEM

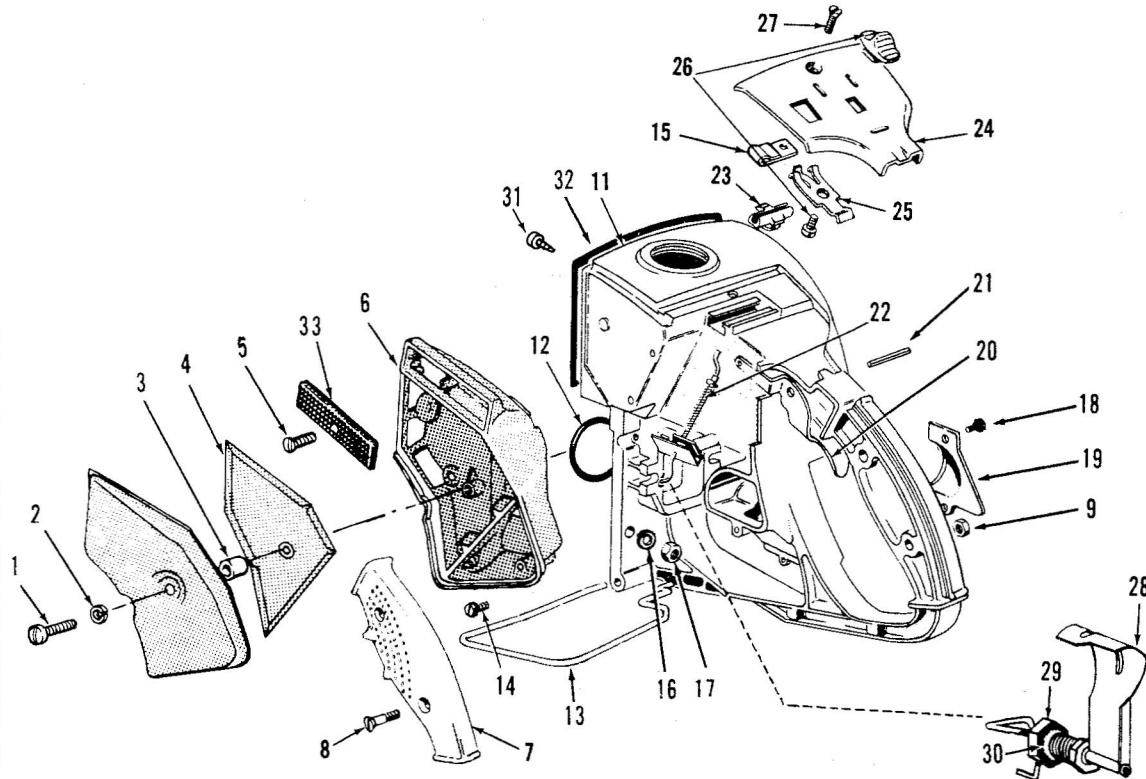


FUEL FILTER SYSTEM PARTS LIST

Ref. No.	Part No.	Description	Qty. Req'd.
	470954	Fuel Filter Body Assembly	1
1	377607	. Clamp Unit	1
2	303121	. Sediment Bowl	1
3	427369	. Gasket - Filter Bowl	1
4	427123	. Screen	1
5	470956	. Shut-off Valve Assembly	1
6	425028	. "O" Ring	1
7	427090	. Fuel Filter Clip	1
8	470997	. Fuel Filter Body Assembly (Complete with Lead Shot)	1
9	427124	Gasket (Filter to Rear Handle)	1
10	427125	Hose (Filter to Primer)	1
11	425343	Flex Pickup Line	1
12	471121	Pickup Head Assembly	1
13	302948	Screw (Fuel Filter Body)	2
14	304201	Lead Shot	1

MODELS 750 (DIRECT DRIVE) AND 850 (GEAR DRIVE)

REAR HANDLE AND AIR CLEANER ASSEMBLIES



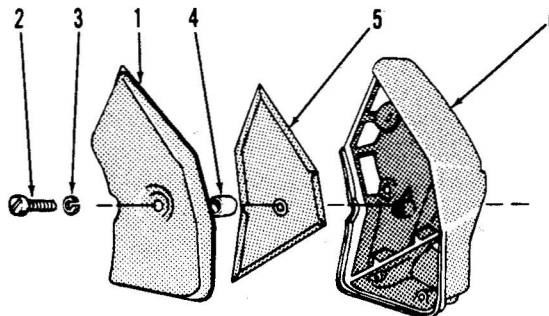
REAR HANDLE AND AIR CLEANER ASSEMBLIES PARTS LIST

Ref. No.	Part No.	Description	Qty. Req'd	Ref. No.	Part No.	Description	Qty. Req'd
*	471521	Filter Cover Assembly	1	17	306397	Nut (Rear Handle to Crankcase)	3
1	427257	. Screw	1	18	307019	Screw (Cover)	2
2	306396	. Lockwasher	1	19	427118	Air Passage Cover	1
3	427258	. Spacer	1	20	427131	Throttle Trigger	1
4	427985	Filter Element Assembly	1	21	426636	Roll Pin	1
5	307193	Screw	1	22	471307	Throttle Link Ass'y	1
6	471617	Air Filter Body	1	23	426490	Terminal Block	1
7	471003	Grip (Two Halves)	1	24	470957	Control Panel Assembly	1
8	427248	. Screw (Grip)	2	25	426489	. Switch Spring	1
9	133079	. Nut (Grip)	2	26	471115	. Switch Button & Screw	1
11	470951	Rear Handle and Tank Assembly	1	27	427160	Screw (Control Panel)	1
12	425030	"O" Ring (Rear Handle to Crankcase)	1	28	471305	Vane Ass'y.	1
13	427155	Foothold Loop	1	29	427615	. Nut (Vane)	1
14	302948	Screw (Body)	1	30	309819	. Lockwasher	1
15	309040	Clamp	1	31	427534	Screw	16
16	306396	Lockwasher (Rear Handle to Crankcase)	3	32	428247	Gasket	1
				33	428178	Screen	1

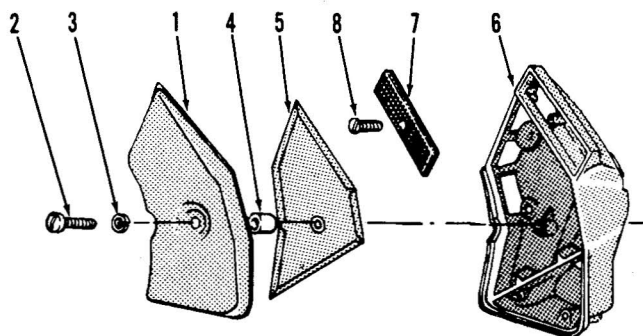
750 AIR CLEANER ASSEMBLIES

To meet the requirements of varied cutting conditions, three types of air cleaner assemblies have been designed and are available from Service.

Ref. No.	Part No.	Description	Qty. Req'd.
1	471521	Cover Assembly	1
2	427257	. Screw	1
3	306396	. Lockwasher	1
4	427258	. Spacer	1
5	427985	Filter Element	1
6	471523	Filter Body	1



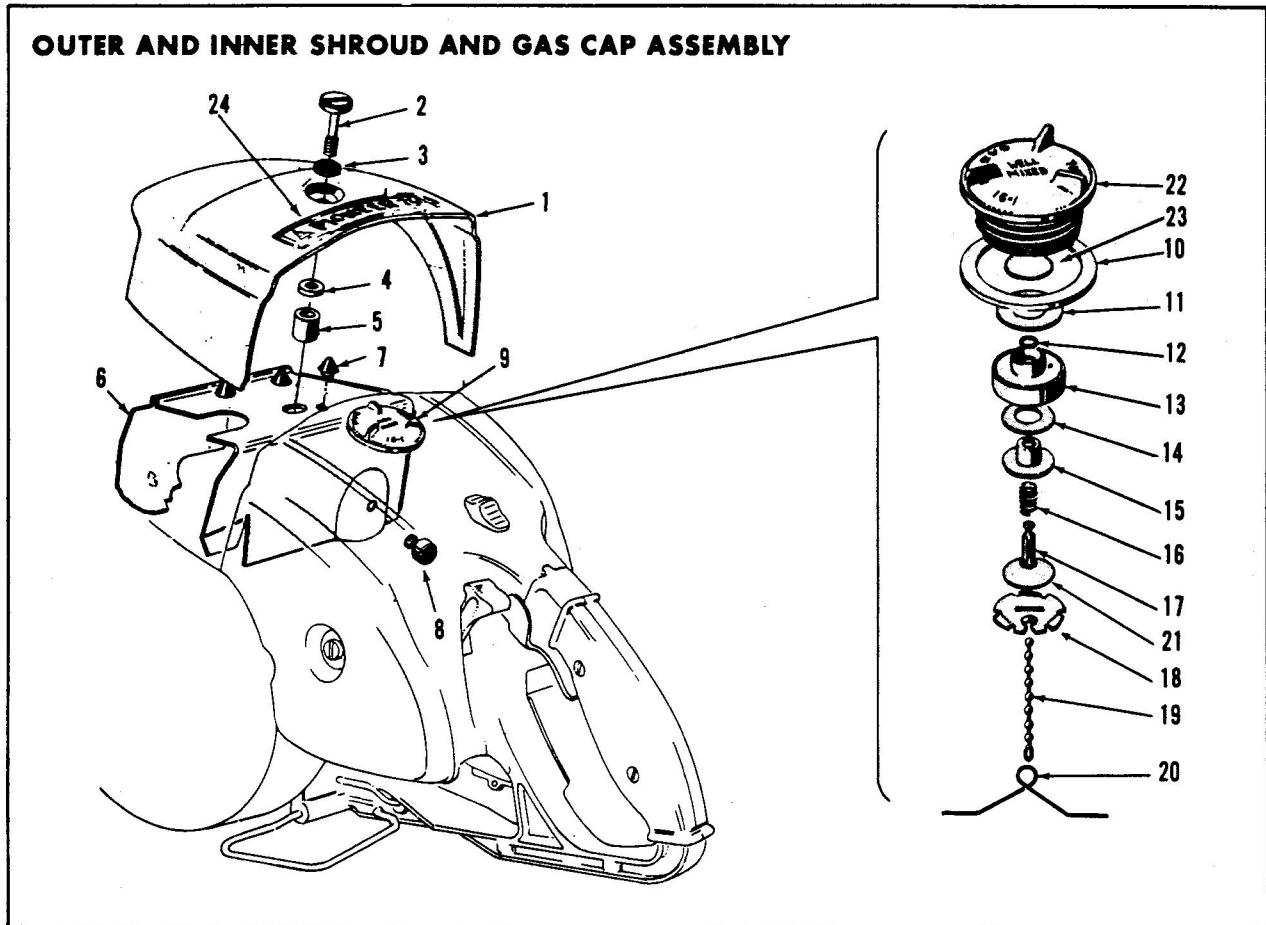
Note: Air intake from back of body. Modification kit, part number 471522 covers the items above.



Ref. No.	Part No.	Description	Qty. Req'd.
1	470967	Cover Assembly	1
2	427257	. Screw	1
3	306396	. Lockwasher	1
4	427258	. Spacer	1
5	427246	Filter Element	1
6	427148	Filter Body	1
7	428178	Screen	1
8	307193	Screw	1

Note: Air intake from top of body. Available in detail parts only.

MODELS 750 (DIRECT DRIVE) AND 850 (GEAR DRIVE)

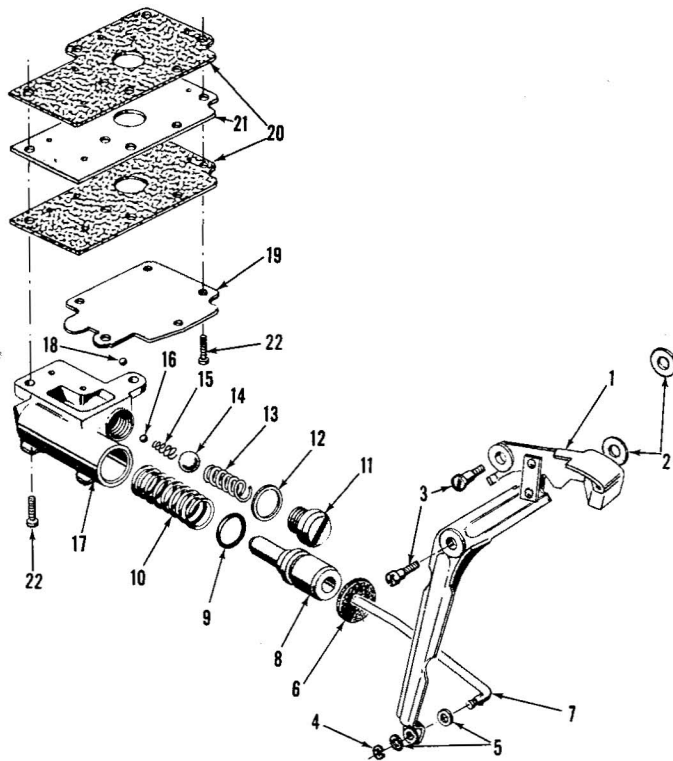


OUTER AND INNER SHROUD AND GAS CAP ASSEMBLY PARTS LIST

Ref. No.	Part No.	Description	Qty. Req'd	Ref. No.	Part No.	Description	Qty. Req'd
1	471291	Outer Shroud Assembly	1	13	427276	. Body (Valve)	1
2	427094	. Shroud Bolt	1	14	427274	. Valve (Vacuum)	1
3	427521	. Friction Washer	1	15	427275	. Backing Plate (Valve)	1
4	427472	. Washer - Shroud Bolt	1	16	427280	. Spring (Valve)	1
5	427474	. Spacer - Shroud Bolt	1	17	427279	. Stem (Valve)	1
6	470943	Inner Shroud Assembly	1	18	427278	. Cover	1
7	426746	. Bumper	3	19	427277	. Bead Chain	1
8	602844	. Rubber Cap	1	20	427213	. Lock Spring	1
9	470964	Gas Cap Assembly	1	21	427994	. Filter Disc	1
10	425087	. Gasket (Gas Cap)	1	22	427271	. Body	1
11	427273	. Gasket (Valve Body)	1	23	427993	. Filter Disc	1
12	427281	. "O" Ring (Valve)	1	24	427624	Decal - 850	1

MODELS 750 (DIRECT DRIVE) AND 850 (GEAR DRIVE)

OIL PUMP AND LEVER ASSEMBLIES



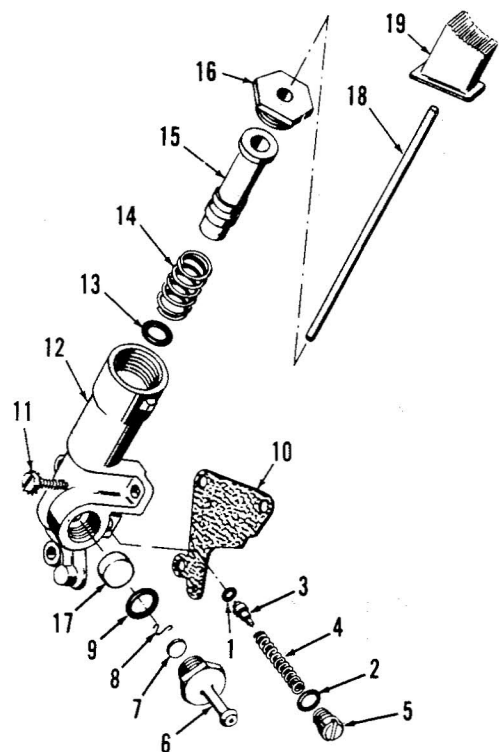
PARTS LIST

Ref. No.	Part No.	Description	Qty. Req'd.
1	471109	Oil Lever Assembly	1
2	427396	Washer	2
3	303247	Screw (Oiler Lever)	2
4	202755	"E" Ring	1
5	300154	Washer (Oiler Lever)	2
6	427367	Felt	1
7	427153	Push Rod	1
*	470946	Manual Oil Pump Assembly	1
8	427098	. Plunger	1
9	427360	. "O" Ring (Plunger)	1
10	427253	. Spring (Plunger)	1
11	427096	. End Cap	1
12	427097	. Washer (End Cap)	1
13	427254	. Spring (Large Ball)	1
14	426227	. Steel Ball (Large)	1
15	427251	. Spring (Small Ball)	1
16	427250	. Steel Ball (Small)	1
17	470971	. Manual Oil Pump Body	1
18	304201	. . Lead Shot	1
19	427100	Cover (Oil Pump)	1
20	427102	Gasket (Oil Pump)	2
21	427259	Spacer (Oil Pump)	1
22	427099	Screw (Cover)	7

PARTS LIST

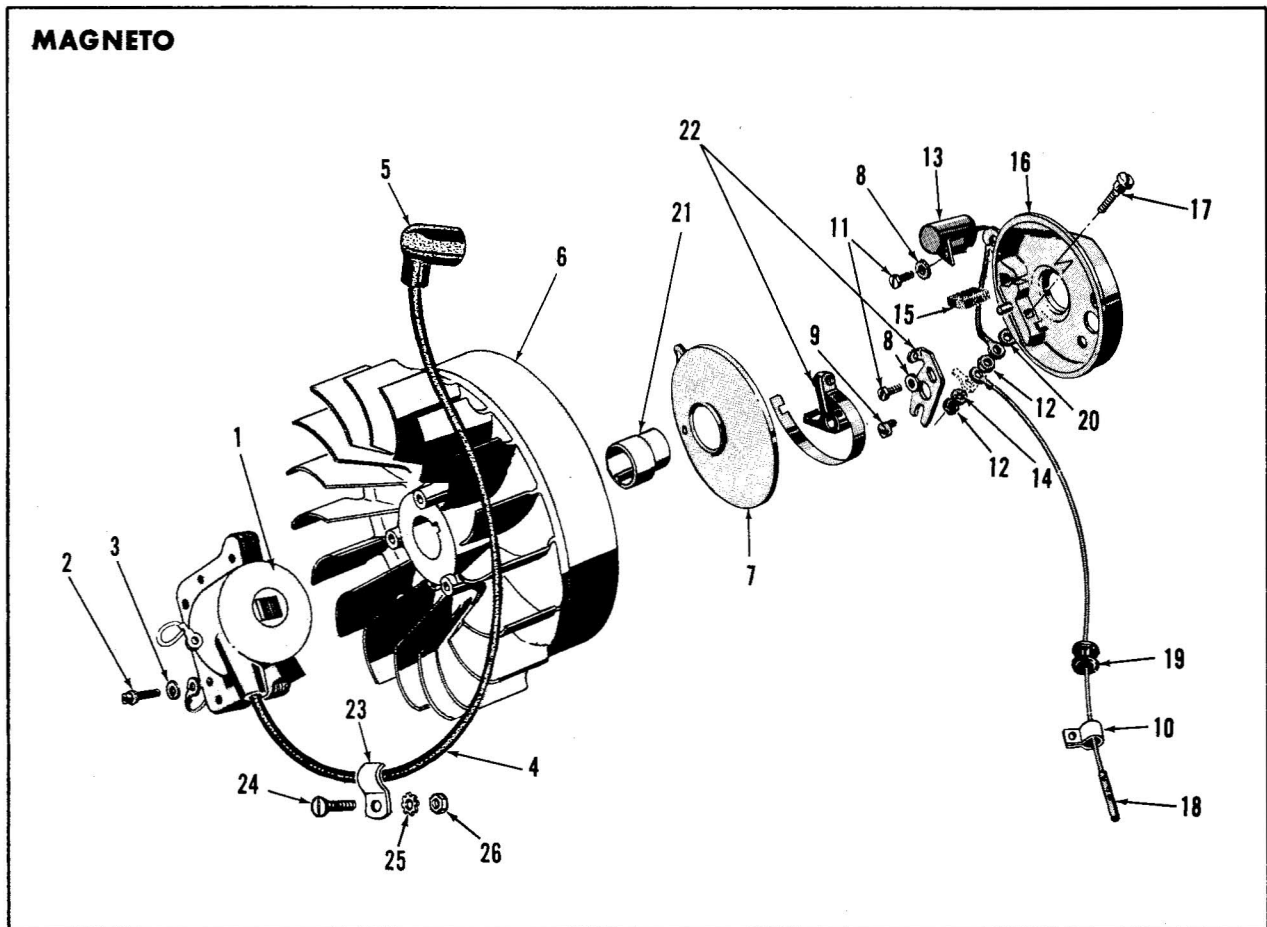
Ref. No.	Part No.	Description	Qty. Req'd.
*	470960	Primer Pump Assembly	1
*	470729	. Exit Valve Assembly	1
1	308528	. . "O" Ring	1
2	426843	. . End Cap Washer	1
3	†	. . Stem Exit Valve	1
4	†	. . Exit Valve Spring	1
5	†	. . End Cap - Exit Valve	1
*	470728	. Inlet Valve Housing Assembly	1
6	†	. . Inlet Valve Housing	1
7	426825	. . Disc Valve - Inlet	1
8	426824	. . Retaining Clip	1
9	202893	. . "O" Ring	1
10	427151	. Gasket (Primer Body)	1
11	307613	. Screw (Pump to Rear Handle)	3
12	427140	. Primer Pump Body	1
13	427444	. "O" Ring	1
14	427142	. Spring (Plunger)	1
15	427141	. Piston (Primer Pump)	1
16	427143	. Cap (Primer Pump)	1
17	427520	. Felt	1
18	427149	Primer Rod	1
19	427150	Primer Button	1

PRIMER PUMP



*Not Shown
†Available in Assembly Only.

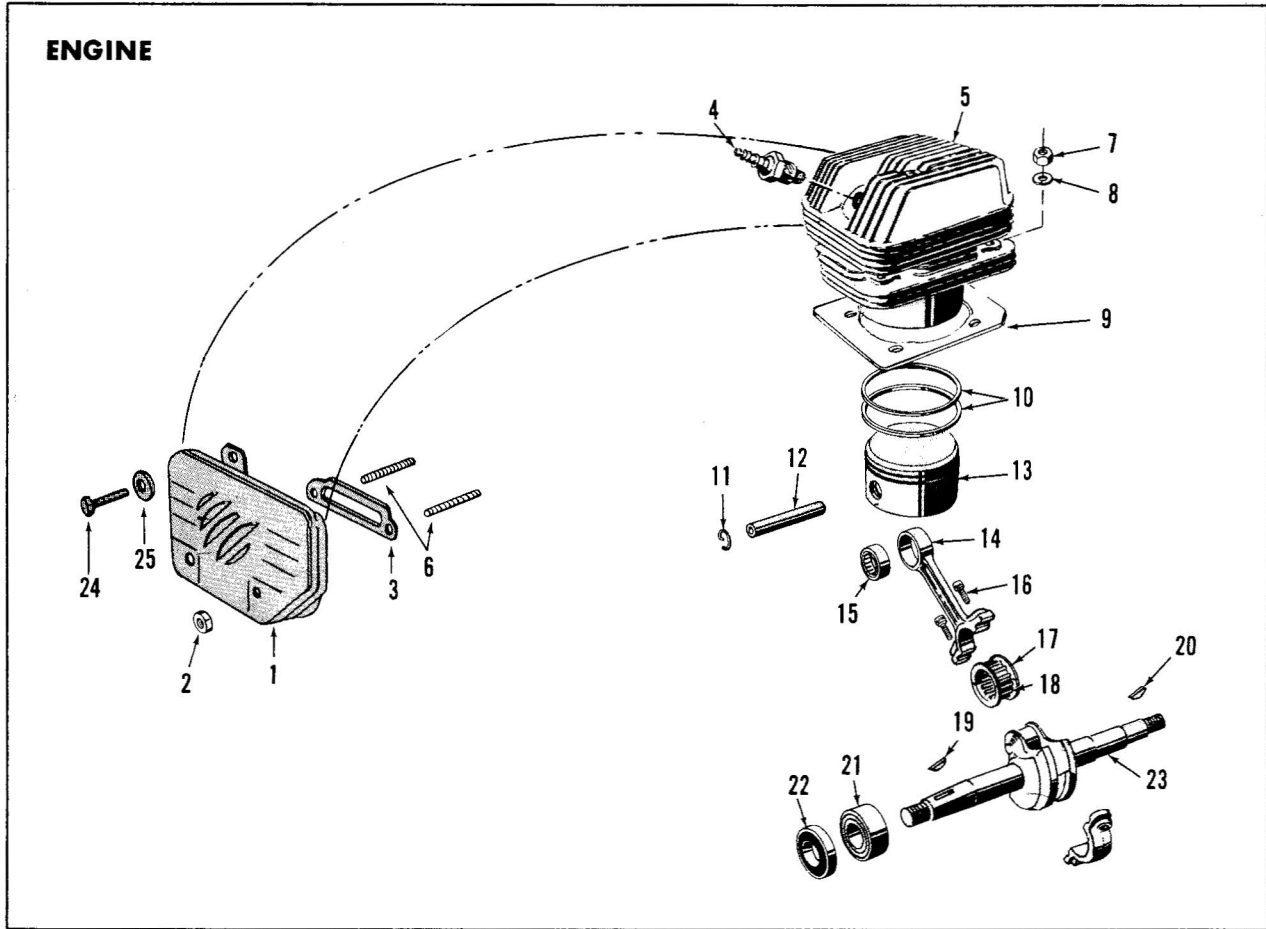
MODELS 750 (DIRECT DRIVE) AND 850 (GEAR DRIVE)



MAGNETO PARTS LIST

Ref. No.	Part No.	Description	Qty. Req'd.	Ref. No.	Part No.	Description	Qty. Req'd.
1	580454	Coil & Lamination Assembly	1	13	426528	Condenser	1
2	510397	Screw	3	14	307247	Washer	1
3	300154	Washer	1	15	510189	Oiler Wick	1
4	426232	High Tension Wire	1	16	510579	Housing (Contact Breaker)	1
5	580339	Sparky Assembly	1	17	426522	Terminal Screw	1
6	580486	Flywheel Assembly	1	18	470942	Switch Wire Assembly	1
7	510577	Cover (Breaker Housing)	1	19	425338	Switch Wire Grommet	1
8	303497	Washer	2	20	307189	Washer	1
9	510185	Eccentric Screw	1	21	510603	Cam	1
10	309040	Clamp (Ign. Wire)	1	22	580560	Breaker Point Set	1
11	307193	Screw (Condenser to Crankcase)	2	23	120001	Clamp	1
12	302437	Nut	2	24	306460	Screw	1
				25	303916	Washer	1
				26	130450	Nut	1

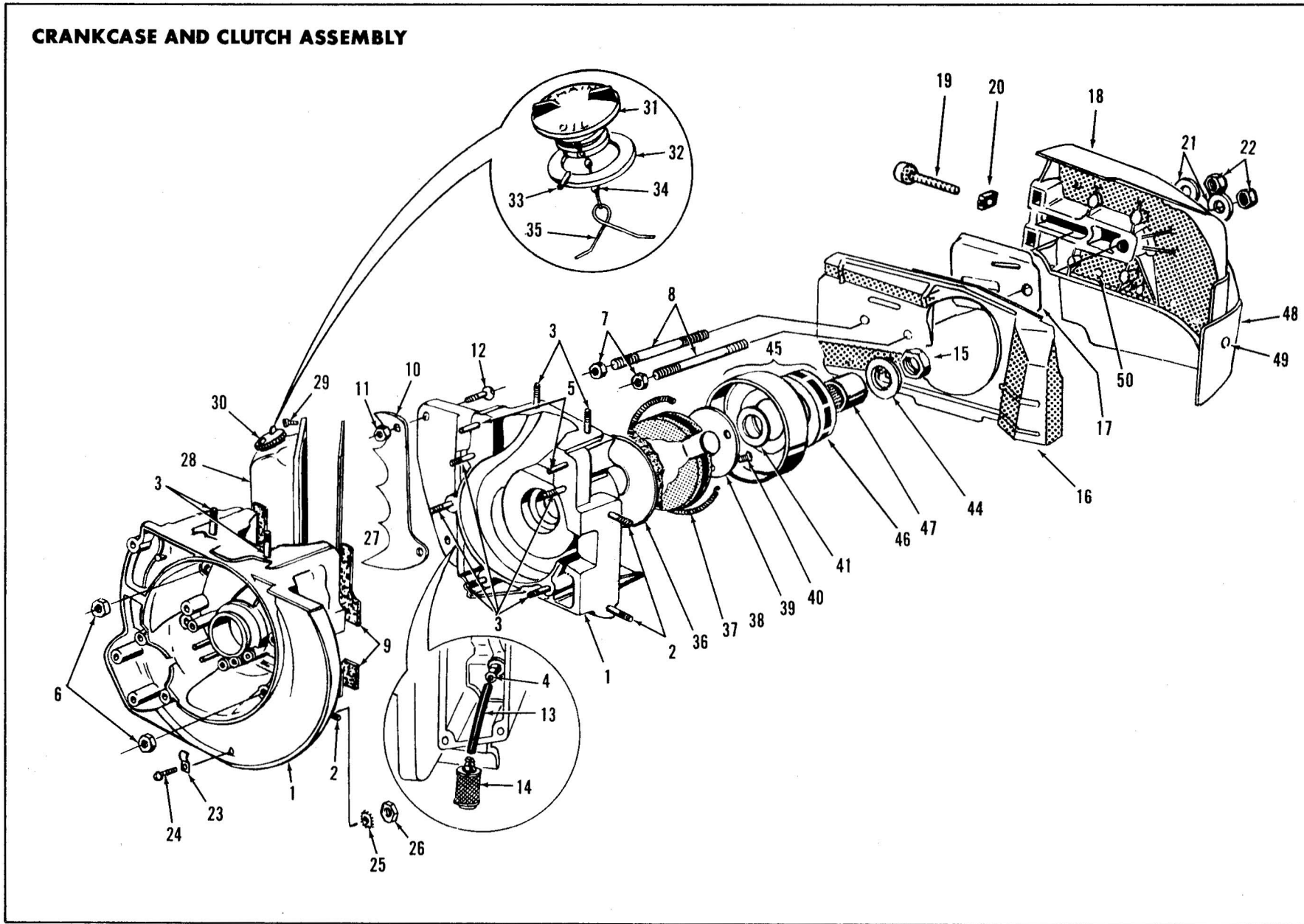
MODELS 750 (DIRECT DRIVE) AND 850 (GEAR DRIVE)



ENGINE PARTS LIST

Ref. No.	Part No.	Description	Qty. Req'd.	Ref. No.	Part No.	Description	Qty. Req'd.
1	471298	Muffler Assembly	1	15	425060	. Needle Bearing	1
2	304609	Nut (Muffler)	2	16	304610	. Screw - Socket Head	2
3	427600	Gasket (Muffler)	1	17	470927	Bearing Cage Assembly	1
4	378101	J-4-J Spark Plug (850)	1	18	470926	Needles (Pkg. of 12)	1
4	076152	J-8-J Spark Plug (750)	1	19	425061	Key - Flywheel	1
5	471292	Cylinder Block	1	20	425061	Key - Clutch (Model 850)	1
6	427601	. Stud (Muffler)	2	20	427179	Key - Clutch (Model 750)	1
7	306397	Nut (Cyl. to C'case.)	4	21	425066	Bearing	2
8	306396	Washer (Cyl. to C'case.)	4	22	425076	Seal	2
9	427523	Gasket (Cylinder Base)	1	23	427365	Crankshaft (Model 850)	1
10	471002	Ring Set	1	23	471274	Crankshaft (Model 750)	1
11	425062	Retaining Ring	2	24	302468	Screw - (Muffler)	1
12	427480	Wrist Pin	1	25	308134	Washer (Muffler)	1
13	428175	Piston	1				
14	470168	Connecting Rod	1				

CRANKCASE AND CLUTCH ASSEMBLY



MODEL 750 (DIRECT DRIVE)

MODEL 750 (DIRECT DRIVE)

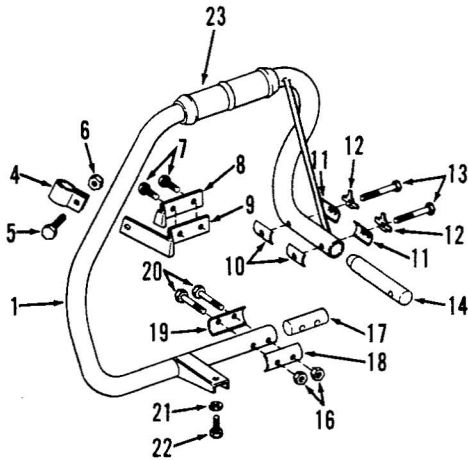
CRANKCASE AND CLUTCH ASSEMBLY PARTS LIST

Ref. No.	Part No.	Description	Qty. Req'd.	Ref. No.	Part No.	Description	Qty. Req'd.
1	470938	Crankcase Assembly	1	25	303916	Washer	1
2	426642	. Stud	3	26	130450	Nut	1
3	425578	. Stud	9	27	427196	Gasket (Oiler Body)	1
4	426220	. Oiler Intake Connector	1	28	427195	Cover (Oil Tank)	1
5	427073	. Taper Pin	2	29	302948	Screw (Oil Cover)	4
6	304609	. Nut	5	30	470976	Oiler Filler Cap	1
7	425078	. Nut (Strut Stud)	2	31	427286	. Body	1
8	427242	. Stud (Strut)	2	32	425074	. Gasket	1
9	427509	Gasket	1	33	427289	. Taper Pin	1
10	471018	Eastern Pivot Grip Assy.	1	34	427277	. Bead Chain	1
*	471019	Western Pivot Grip Assy.	1	35	427288	. Lock Spring	1
11	427170	Nut	2	36	470978	Clutch Driver Assy.	1
12	130491	Screw	2	37	427188	Clutch Spring	1
13	426200	Oiler Inlet Tube	1	38	427187	Clutch Shoe	3
14	470193	Oiler Pickup Assy.	1	39	427270	Retaining Plate	1
15	427181	Nut (Sprocket)	1	40	302104	Screw (Clutch)	3
16	427991	Inner Guide Plate	1	41	427185	Thrust (Washer)	1
17	425674	Outer Guide Plate	1	44	427413	Washer (Sprocket)	1
18	471524	Strut Assembly	1	45	471401	Drum and Spline Assy.	1
*	471189	Bow Strut Assembly	1	46	421563	. Sprocket Segment - .4	1
19	202190	. Tension Screw	1	47	425091	. Needle Bearing	1
20	425672	. Tension Pin	1				
21	425116	Washer (Strut)	2				
22	425031	Nut (Strut)	2	48	427990	. Deflector	1
23	120001	Clamp	1	49	428007	. Rivet - Long	1
24	306460	Screw	1	50	427992	. Rivet - Short	6

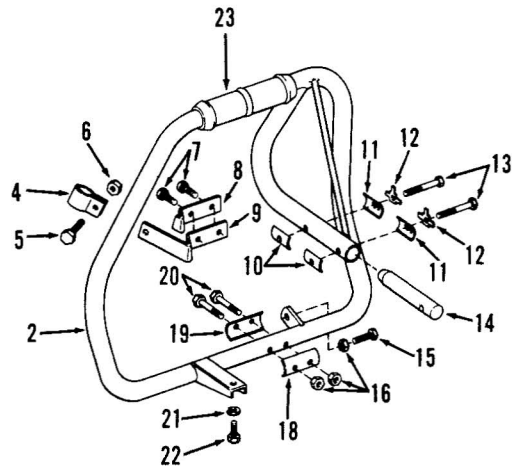
*Not Shown

MODEL 750 (DIRECT DRIVE)

HALF HANDLE



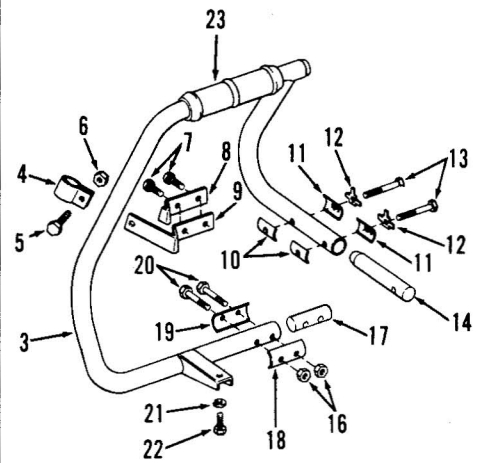
FULL WRAP HANDLE



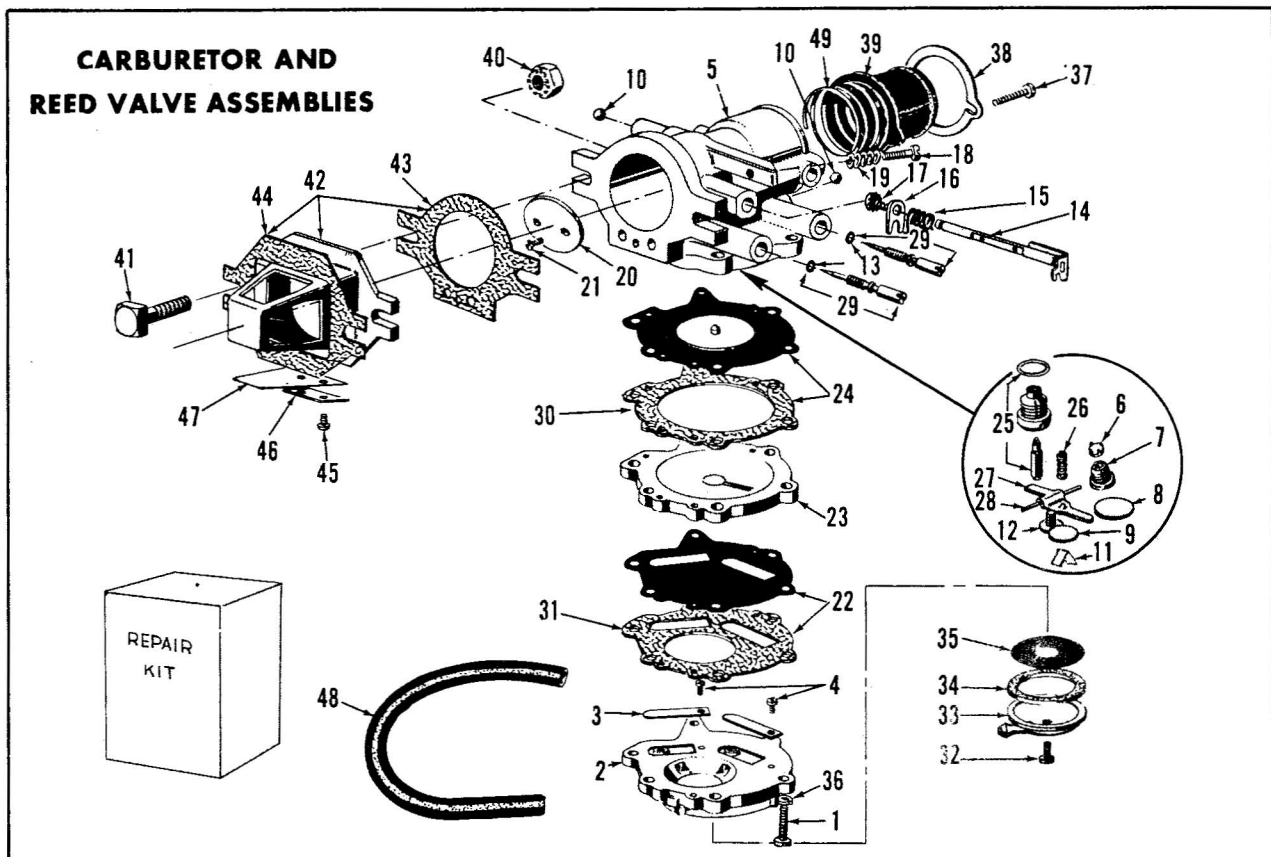
PARTS LIST

Ref. No.	Part No.	Description	Qty. Req'd. per Handle		
			Half	Full Wrap	Bow Attach.
1	471607	Front Handle Assembly	1	-	-
2	471608	Front Handle Assembly	-	1	-
3	471188	Front Handle Assembly	-	-	1
4	427249	Brace Clamp	1	1	1
5	603105	Screw - Brace Clamp	1	1	1
6	426942	Nut - Brace Clamp	1	1	1
7	302948	Screw - Brace to Cover	2	2	2
8	427499	Support - Forward Brace	1	1	1
9	427495	Forward Brace	1	1	1
10	427494	Upper Spacer	2	2	2
11	427394	Clamp - Upper Handle	2	2	2
12	310860	Lockplate - Upper Handle	2	2	2
13	306493	Bolt - Upper Handle to Crankcase	2	2	2
14	427228	Upper Insert (Aluminum)	1	1	1
15	302030	Bolt - Lower P. Grip Hole	-	1	-
16	427170	Nut - Lower Handle to Crankcase	2	3	2
17	427229	Lower Insert (Delrin)	1	-	1
18	427493	Lower Spacer (Aluminum)	1	1	1
19	427519	Clamp - Lower Handle	1	1	1
20	306778	Screw - Lower Handle to Crankcase	2	2	2
21	302376	Lockwasher - Bracket to Crankcase	1	1	1
22	306487	Screw - Bracket to Crankcase	1	1	1
23	470795	Handle Grip Kit	1	1	1

FRONT HANDLE (FOR BOW ATTACHMENT)



MODELS 750 (DIRECT DRIVE) AND 850 (GEAR DRIVE)



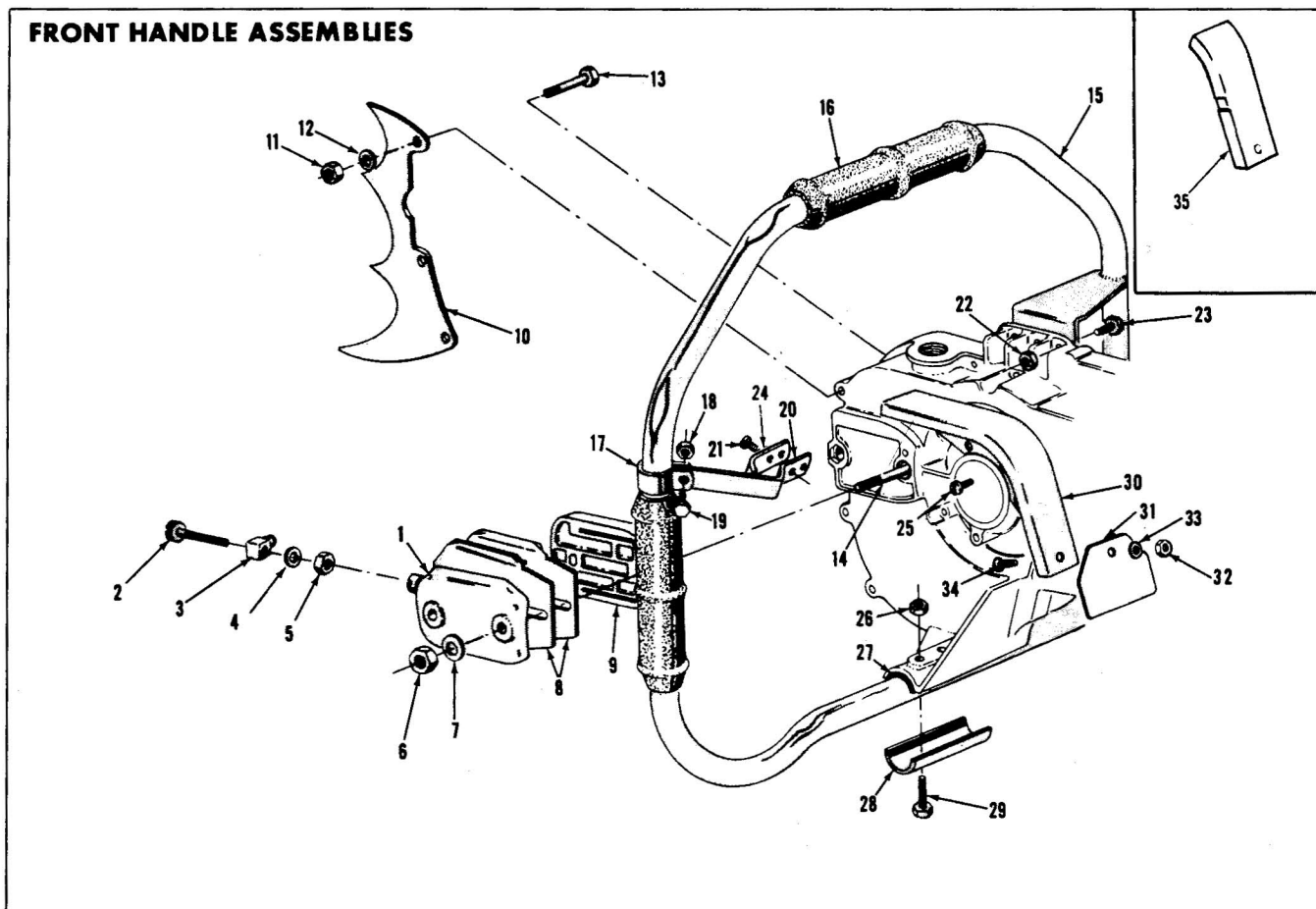
CARBURETOR AND REED VALVE ASSEMBLIES PARTS LIST

Ref. No.	Part No.	Description	Qty. Req'd	Ref. No.	Part No.	Description	Qty. Req'd
+	380611	Carburetor Assembly Complete	1	25	379159	. Inlet Needle, Valve & Seat Assembly	1
1	427248	. Screw (Hsg. to Body)	6		379237	. Inlet Control Kit	1
2	309320	. Housing & Nipple Assembly	1	*26	309455	. . Spring (Lever)	1
3	309466	. Valve (Fuel Pump)	2	*27	309420	. . Lever (Inlet Control)	1
4	310822	. Screw (Valve to Hsg.)	2	*28	309456	. . Hinge Pin	1
5	380614	. Carburetor Body	1	*29	379232	. Low & High Speed Adj. Needle	1
6	309422	. . Check Valve	1	30	309463	. Metering Gasket	1
7	309421	. . Valve Seat	1	31	309464	. Pump Gasket	1
8	202310	. . Core Plug	1	32	306915	. Screw (Cover)	1
9	303405	. . Core Plug	1	33	310407	. Cover	1
10	304201	. . Lead Shot	2	34	427369	. Gasket (Screen)	1
11	427647	Screen - Idle Well	1	35	427123	. Screen	1
12	309457	. Screw (Hinge Pin)	1	36	306310	. Washer	6
13	304598	. "O" Ring (Slow & High Speed)	2	37	309798	Screw (Grommet to Carb.)	2
14	471308	. Throttle Shaft Assy.	1	38	427139	Retainer	1
15	427572	. Spring Throttle Shaft	1	39	427138	Intake Grommet	1
16	310942	. Retainer	1	40	304609	Keps Nut	2
17	307191	. Screw	1	41	427203	Bolt (Carburetor)	2
18	309462	. Screw (Idle Adj.)	1	42	471116	Reed Valve Assembly	1
19	309473	. Spring (Idle Adj.)	1	43	427137	. Gasket (Reed Valve to Carb.)	1
20	311767	. Throttle Valve	1	44	427136	. Gasket (Rear Handle)	1
21	303760	. Screw (Throttle Valve)	2	45	303764	. Screw (Plate)	8
*22	379234	. Fuel Pump Diaphragm & Gasket Set	1	46	427135	. Retainer Plate	4
23	309323	. Plate (Diaphragm Carb.)	1	47	427134	. Reed	4
24	379233	. Metering Diaphragm & Gasket Set	1	48	427126	Pickup Line	1
				49	427579	Spring (Grommet)	1

*Included in Repair Kit 379235

+Not shown

MODEL 850 (GEAR DRIVE)



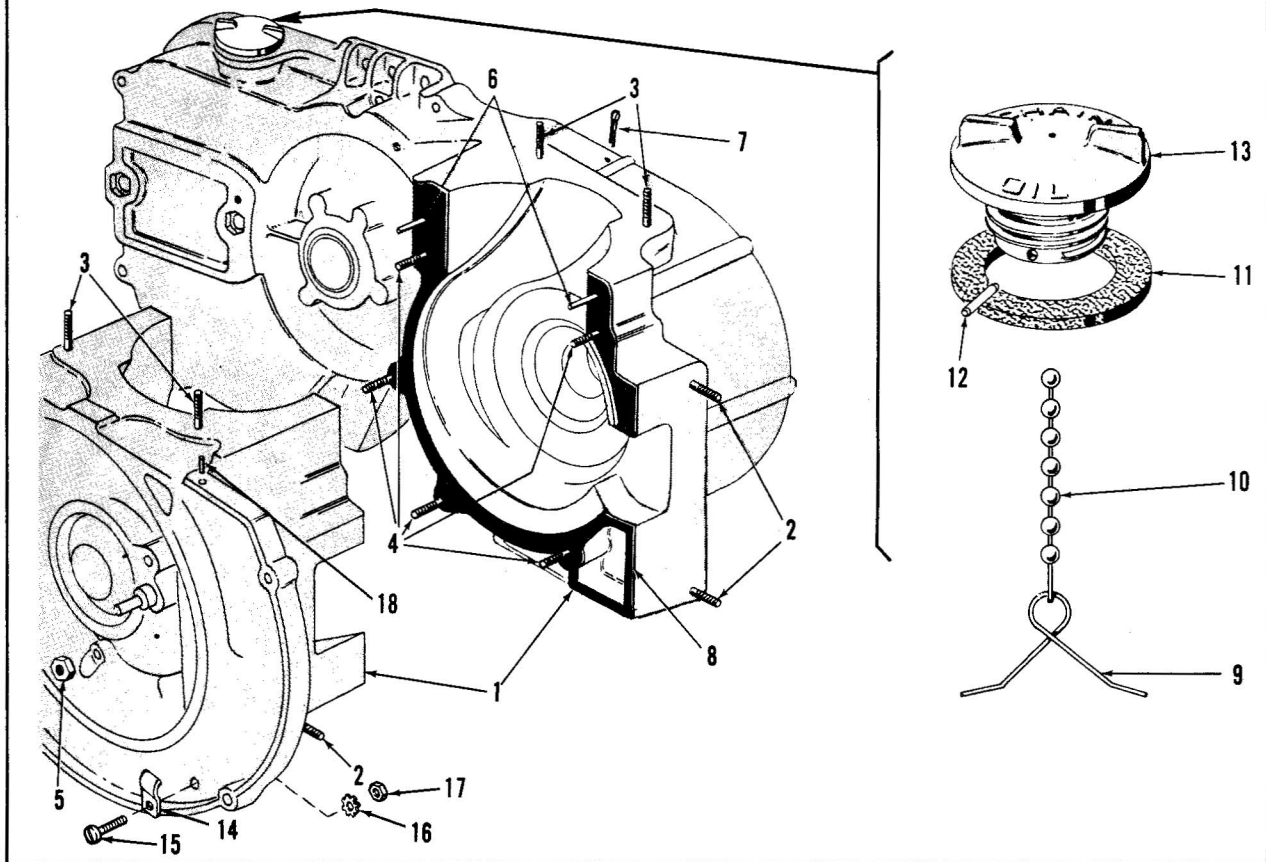
FRONT HANDLE ASSEMBLIES PARTS LIST MODEL 850 GEAR ONLY

Ref. No.	Part No.	Description	Qty. Req'd.	Ref. No.	Part No.	Description	Qty. Req'd.
1	470987	Bar Clamp Pad Assembly	1	20	427089	Forward Brace	1
2	427173	. Tension Screw	1	21	302948	Screw (Brace to Cover)	2
3	427238	. Tension Pin	1	22	426942	Nut (Handle Bracket)	2
4	306482	. Washer	1	23	603105	Screw (Handle Bracket)	2
5	427170	. Nut	1	24	427499	Support (Forward Brace)	1
6	427247	Nut (Guide Bar Bolt)	2	25	307019	Screw (Deflector to Crankcase)	3
7	427240	Washer (Guide Bar Bolt)	2	26	426942	Nut (Handlebar to Crankcase)	2
8	427218	Inner and Outer Guide Plate	2	27	427067	Shock Absorber	1
9	427217	Bar Pad	1	28	427223	Clamp (Handlebar to Crankcase)	1
10	427220	Western Pivot Grip	1	29	304627	Screw (Handlebar to Crankcase)	2
*	427224	Eastern Pivot Grip	1	30	471111	Sawdust Deflector Assembly	1
11	426942	Nut	3	31	427371	. Extension Flap	1
12	306358	Washer	3	32	427373	. Locknut	1
13	427077	Bolt	3	33	306413	. Washer	1
14	427080	Guide Bar Bolt	2	34	306286	. Pan Head Screw	1
15	470989	Front Handle Assy.	1	35	427443	Sawdust Deflector (Modified for Bow Attachment)	1
16	470795	Handle Grip Assembly (Incl. 2-oz. Tube of Adhesive)	1				
17	427249	Brace Clamp	1				
18	426942	. Nut	1				
19	603105	. Screw	1				

*Not Shown

MODEL 850 (GEAR DRIVE)

CRANKCASE

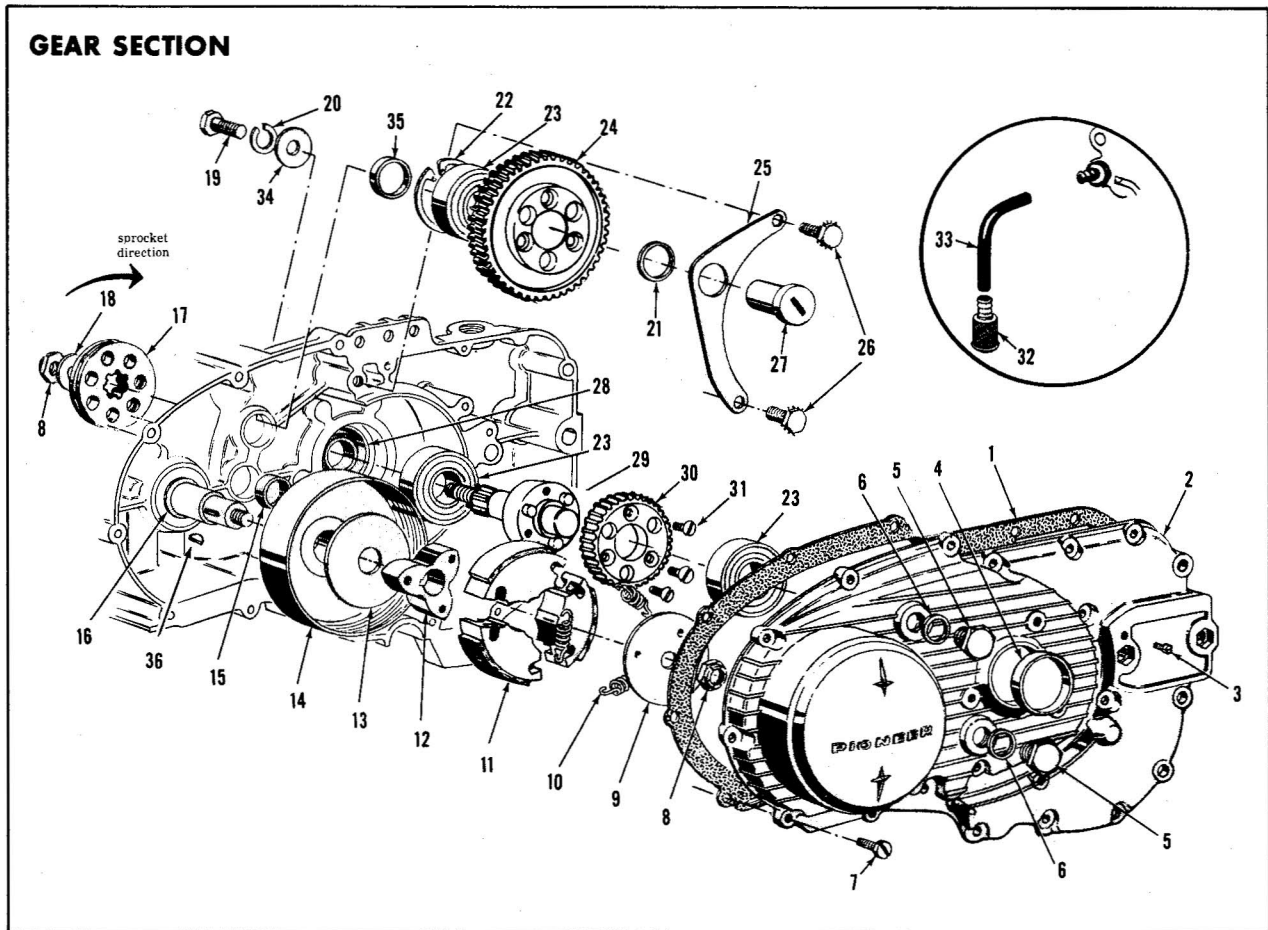


CRANKCASE PARTS LIST

Ref. No.	Part No.	Description	Qty. Req'd.
1	470932	Crankcase Assembly	1
2	425578	. Stud (Crankcase Rear Handle)	3
3	426702	. Stud (Cylinder)	4
4	425578	. Stud (Blower Half)	5
5	304609	. Keps Nut	5
6	427073	. Taper Pin	2
7	306370	. Cotter Pin	1
8	427509	. Gasket	1
*	470976	Oil Filler Cap Assembly	1
9	427288	. Lock Spring	1
10	427277	. Bead Chain	1
11	425074	. Gasket	1
12	427289	. Pin	1
13	427286	. Body	1
14	120001	Clamp	1
15	306460	Screw	1
16	303916	Washer	1
17	130450	Nut	1
18	311534	Roll Pin	1

*Not shown

MODEL 850 (GEAR DRIVE)



GEAR SECTION PARTS LIST

Ref. No.	Part No.	Description	Qty. Req'd.	Ref. No.	Part No.	Description	Qty. Req'd.
1	427183	Gasket (Gear Cover)	1	19	306861	Bolt (Idler Spindle)	1
2	471187	Gear Case Cover	1	20	306325	Lockwasher	1
3	306373	Screw - Chain Oil	1	21	427197	Spacer (Idler Spindle)	1
4	427199	Cover (Output Shaft)	1	*	470982	Idler Gear Assembly	1
5	427211	Plug - Gear Oil	2	22	425067	. Retaining Ring	1
6	170280	Plug Screw Gasket	2	23	425066	. Bearing	3
7	302948	Screw (Gear Cover)	17	24	427482	. Gear (47-tooth)	1
8	427181	Nut (Clutch & Sprocket)	2	25	427201	Bracer Plate (Idler Spindle)	1
9	427486	Washer (Clutch)	1	26	552421	Bolt (Plate to Crank-case)	2
*	470974	Clutch Assembly	1	27	427202	Idler Gear Spindle	1
10	427178	. Clutch Spring	3	28	425076	Seal	1
11	470975	. Clutch Shoe	3	29	471191	Output Shaft	1
12	427175	. Clutch Driver	1	30	427483	Gear (32-tooth)	1
13	427491	Retainer Plate	1	31	427236	Screw	3
14	471680	Clutch Drum Assembly	1	32	470193	Oiler Pickup Assembly	1
15	427182	Plug (Idler Spindle)	1	33	427361	Oiler Inlet Tube	1
16	427180	Thrust Washer	1	34	425116	Plain Washer	1
17	471409	Sprocket Segment 1/2 P.	1	35	427451	Spacer	1
18	427240	Washer Sprocket	1	36	425061	Key	1

*Not shown