

25 CENTS



**PIONEER**

**CHAIN SAWS**

**ILLUSTRATED  
PARTS  
CATALOGUE**

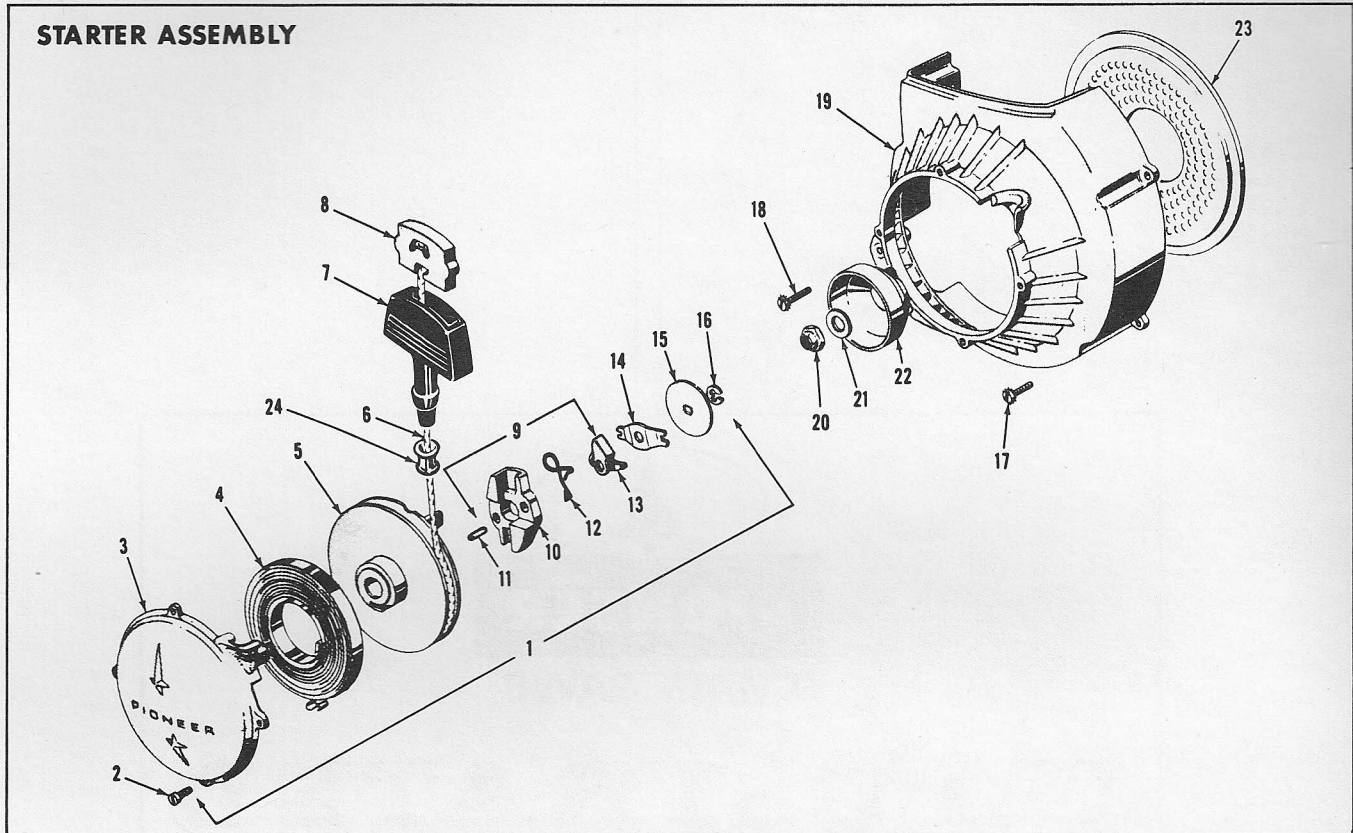
PIONEER SAWS, PETERBOROUGH, ONTARIO, CANADA;  
LINCOLN, NEBRASKA, U.S.A.

LITHO U.S.A.

**MODELS  
700D, 700G**

PART NO. 430305 11-72

## 700 SERIES MODELS 700 (DIRECT DRIVE) AND 700-G (GEAR DRIVE)

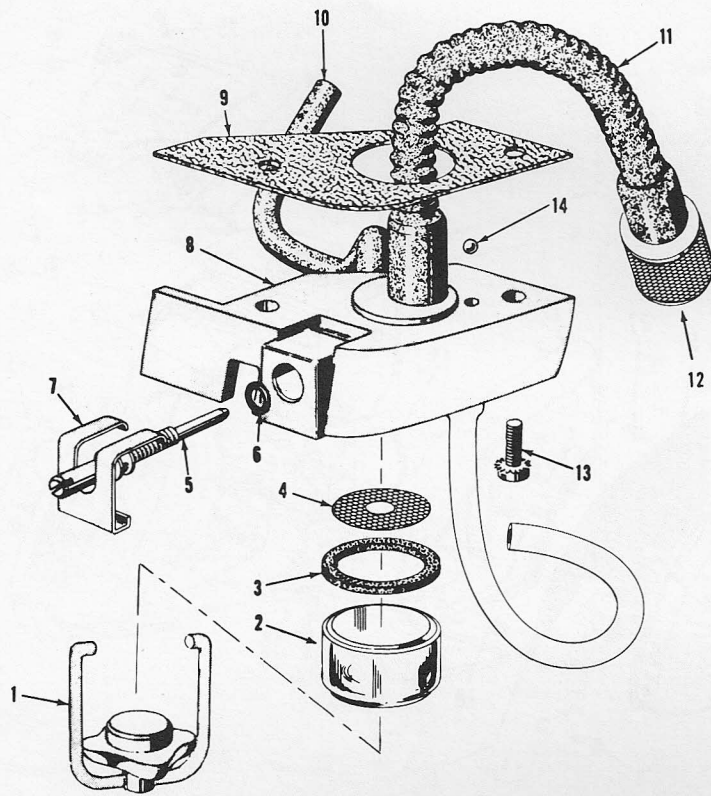


### STARTER ASSEMBLY PARTS LIST

Ref. No.	Part No.	Description	Qty. Req'd.
1	470968	Starter Assembly	1
2	302948	. Screw (Cover to Housing)	4
3	470969	. Starter Cover Assembly	1
4	471587	. Starter Rewind Spring (Pkg.)	1
5	427159	. Starter Pulley	1
6	425846	. Starter Cord	1
7	427370	. Starter Handle	1
8	304323	. Anchor	1
9	470970	. Starter Pawl Assembly	1
10	427161	. . Pawl Block	1
11	427145	. . Roll Pin	2
12	427163	. . Pawl Spring	1
13	427162	. . Pawl	1
14	427164	. Friction Spring	1
15	427165	. Friction Plate	1
16	202139	. "E" Ring	1
17	302948	Screw (Blower to Crankcase)	3
18	305725	Screw (Blower, Lamination, C'case)	1
19	427156	Blower Cover	1
20	425916	Flywheel Nut	1
21	304671	Washer	1
22	427167	Starter Cup	1
23	427168	Rotating Screen	1
24	303560	Eyelet	1

# 700 SERIES MODELS 700 (DIRECT DRIVE) AND 700-G (GEAR DRIVE)

## FUEL FILTER SYSTEM



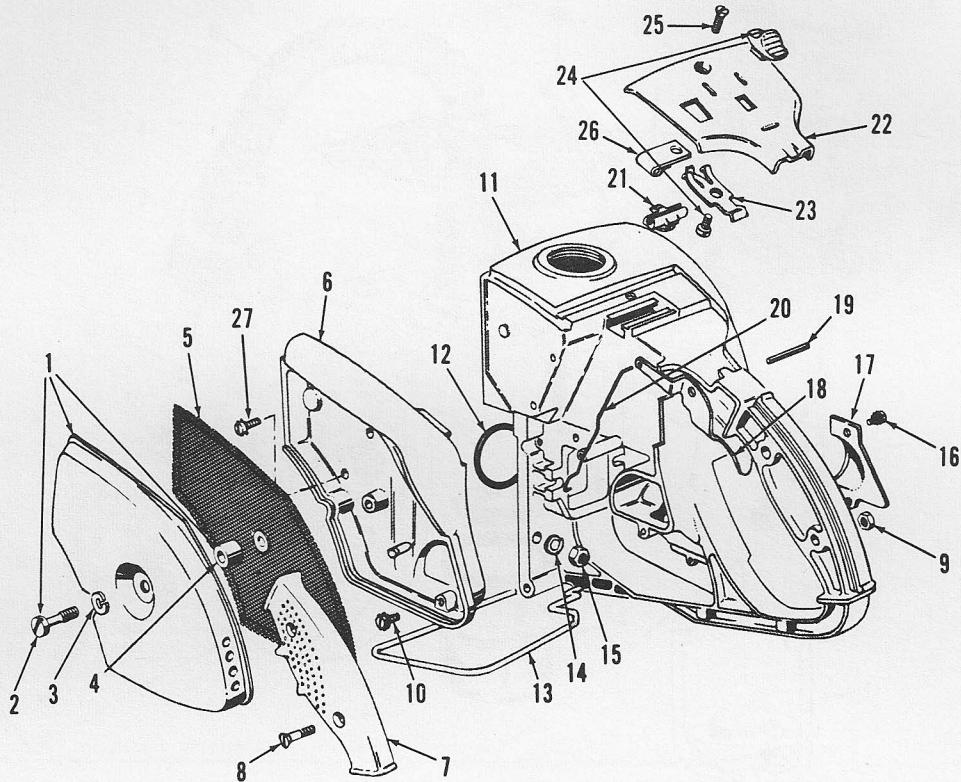
### FUEL FILTER SYSTEM PARTS LIST

Ref. No.	Part No.	Description	Qty. Req'd.
	470954	Fuel Filter Body Assembly	1
1	377607	. Clamp Unit	1
2	303121	. Sediment Bowl	1
3	427369	. Gasket - Filter Bowl	1
4	427123	. Screen	1
5	470956	. Shut-off Valve Assembly	1
6	425028	. . "O" Ring	1
7	427090	. Fuel Filter Clip	1
8	470997	. Fuel Filter Body Assembly (Complete with Lead Shot)	1
9	427124	Gasket (Filter to Rear Handle)	1
10	427125	Hose (Filter to Primer)	1
11	425343	Flex Pickup Line	1
12	471121	Pickup Head Assembly	1
13	302948	Screw (Fuel Filter Body)	2
14	304201	Lead Shot	1



## 700 SERIES MODELS 700 (DIRECT DRIVE) AND 700-G (GEAR DRIVE)

### REAR HANDLE AND AIR CLEANER ASSEMBLIES



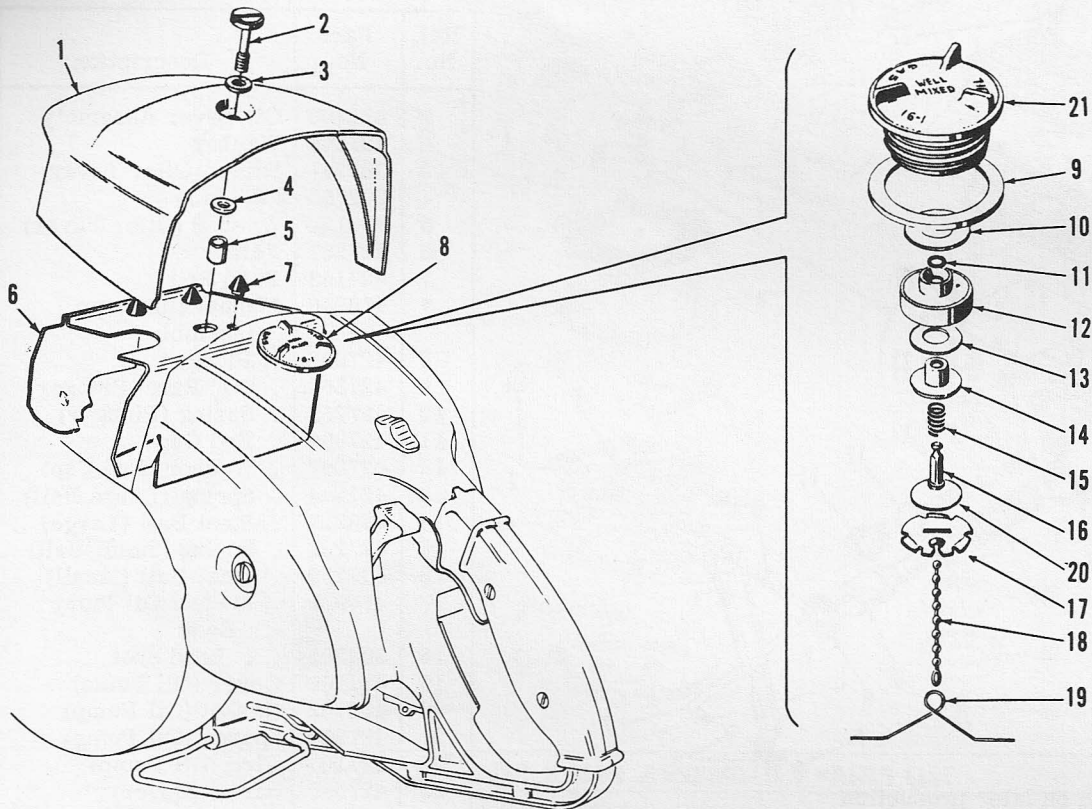
### REAR HANDLE AND AIR CLEANER ASSEMBLIES PARTS LIST

Ref. No.	Part No.	Description	Qty. Req'd.	Ref. No.	Part No.	Description	Qty. Req'd.
1	470967	Filter Cover Assembly	1	15	306397	Nut (Rear Handle to Crankcase)	3
2	427257	. Screw	1	16	307019	Screw (Cover)	2
3	306396	. Lockwasher	1	17	427118	Air Passage Cover	1
4	427258	. Spacer	1	18	427131	Throttle Trigger	1
5	427246	Filter Element Assy.	1	19	426636	Roll Pin	1
6	427148	Air Filter Body	1	20	427349	Throttle Link	1
7	471003	Grip (Two Halves)	1	21	426490	Terminal Block	1
8	427248	. Screw	2	22	470957	Control Panel Assy.	1
9	133079	. Nut	2	23	426489	. Switch Spring	1
10	307061	Screw (Body)	1	24	471115	. Switch Button and Screw	1
11	470951	Rear Handle and Tank Assembly	1	25	427160	. Screw	1
12	425030	"O" Ring (Rear Handle to Crankcase)	1	26	309040	Clamp	1
13	427155	Foothold Loop	1	27	302948	Screw	2
14	306396	Lockwasher (Rear Handle to Crankcase)	3				



# 700 SERIES MODELS 700 (DIRECT DRIVE) AND 700-G (GEAR DRIVE)

## OUTER AND INNER SHROUD AND GAS CAP ASSEMBLY

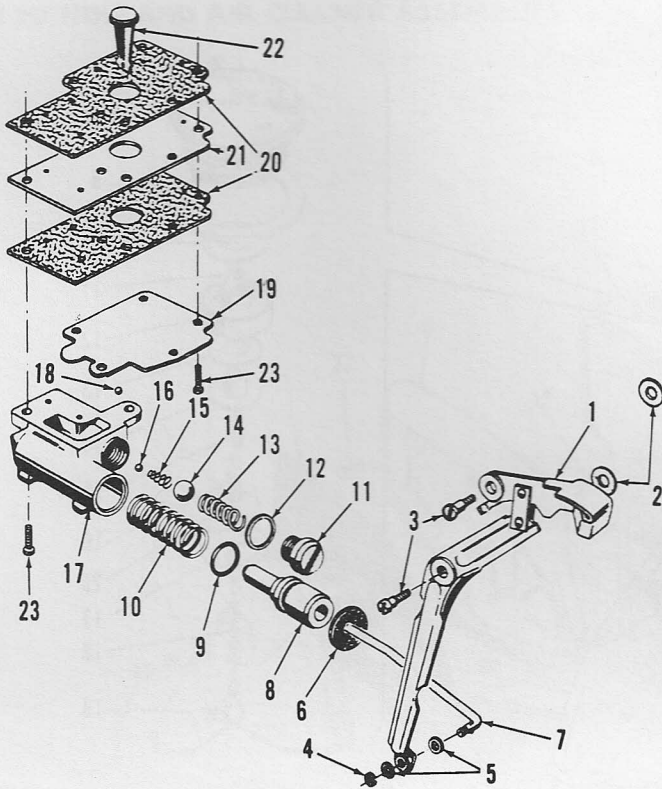


### OUTER AND INNER SHROUD AND GAS CAP ASSEMBLY PARTS LIST

Ref. No.	Part No.	Description	Qty. Req'd.	Ref. No.	Part No.	Description	Qty. Req'd.
1	470944	Outer Shroud Assembly	1	11	427281	. "O" Ring (Valve)	1
2	427094	. Shroud Bolt	1	12	427276	. Body (Valve)	1
3	427521	. Friction Washer	1	13	427274	. Valve (Vacuum)	1
4	427472	. Washer - Shroud Bolt	1	14	427275	. Backing Plate (Valve)	1
5	427474	. Spacer - Shroud Bolt	1	15	427280	. Spring (Valve)	1
6	470943	Inner Shroud Assembly	1	16	427279	. Stem (Valve)	1
7	426746	. Bumper	3	17	427278	. Cover	1
8	470964	Gas Cap Assembly	1	18	427277	. Bead Chain	1
9	425087	. Gasket (Gas Cap)	1	19	427213	. Lock Spring	1
10	427273	. Gasket (Valve Body)	1	20	427376	. Filter Disc	1
				21	427271	. Body	1

## 700 SERIES MODELS 700 (DIRECT DRIVE) AND 700-G (GEAR DRIVE)

### OIL PUMP AND LEVER ASSEMBLIES



\*\*Deleted on later production

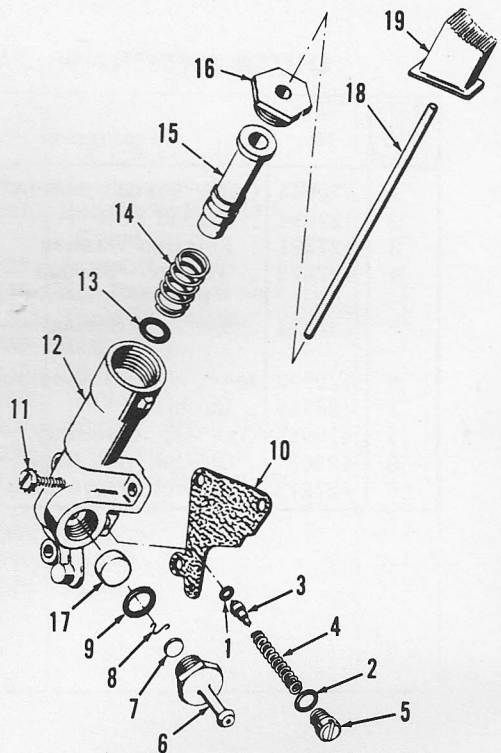
### PARTS LIST

Ref. No.	Part No.	Description	Qty. Req'd.
1	471109	Oil Lever Assembly	1
2	427396	Washer	2
3	303247	Screw (Oiler Lever)	2
4	202755	"E" Ring	1
5	300154	Washer (Oiler Lever)	2
6	427367	Felt	1
7	427153	Push Rod	1
*	470946	Manual Oil Pump Assembly	1
8	427098	. Plunger	1
9	427360	. "O" Ring (Plunger)	1
10	427253	. Spring (Plunger)	1
11	427096	. End Cap	1
12	427097	. Washer (End Cap)	1
13	427254	. Spring (Large Ball)	1
14	426227	. Steel Ball (Large)	1
15	427251	. Spring (Small Ball)	1
16	427250	. Steel Ball (Small)	1
17	470971	. Manual Oil Pump Body	1
18	304201	. . Lead Shot	1
19	427100	Cover (Oil Pump)	1
20	427102	Gasket (Oil Pump)	2
21	427259	Spacer (Oil Pump)	1
**22	427101	Plug (Oil Pump)	1
23	427099	Screw (Cover)	7

### PARTS LIST

Ref. No.	Part No.	Description	Qty. Req'd.
*	470960	Primer Pump Assembly	1
*	470729	. Exit Valve Assembly	1
1	308528	. . "O" Ring	1
2	426843	. . End Cap Washer	1
3	†	. . Stem Exit Valve	1
4	†	. . Exit Valve Spring	1
5	†	. . End Cap - Exit Valve	1
*	470728	. Inlet Valve Housing Assembly	1
6	†	. . Inlet Valve Housing	1
7	426825	. . Disc Valve - Inlet	1
8	426824	. . Retaining Clip	1
9	202893	. . "O" Ring	1
10	427151	. Gasket (Primer Body)	1
11	307613	. Screw (Pump to Rear Handle)	3
12	427140	. Primer Pump Body	1
13	427444	. "O" Ring	1
14	427142	. Spring (Plunger)	1
15	427141	. Piston (Primer Pump)	1
16	427143	. Cap (Primer Pump)	1
17	427520	. Felt	1
18	427149	Primer Rod	1
19	427150	Primer Button	1

### PRIMER PUMP

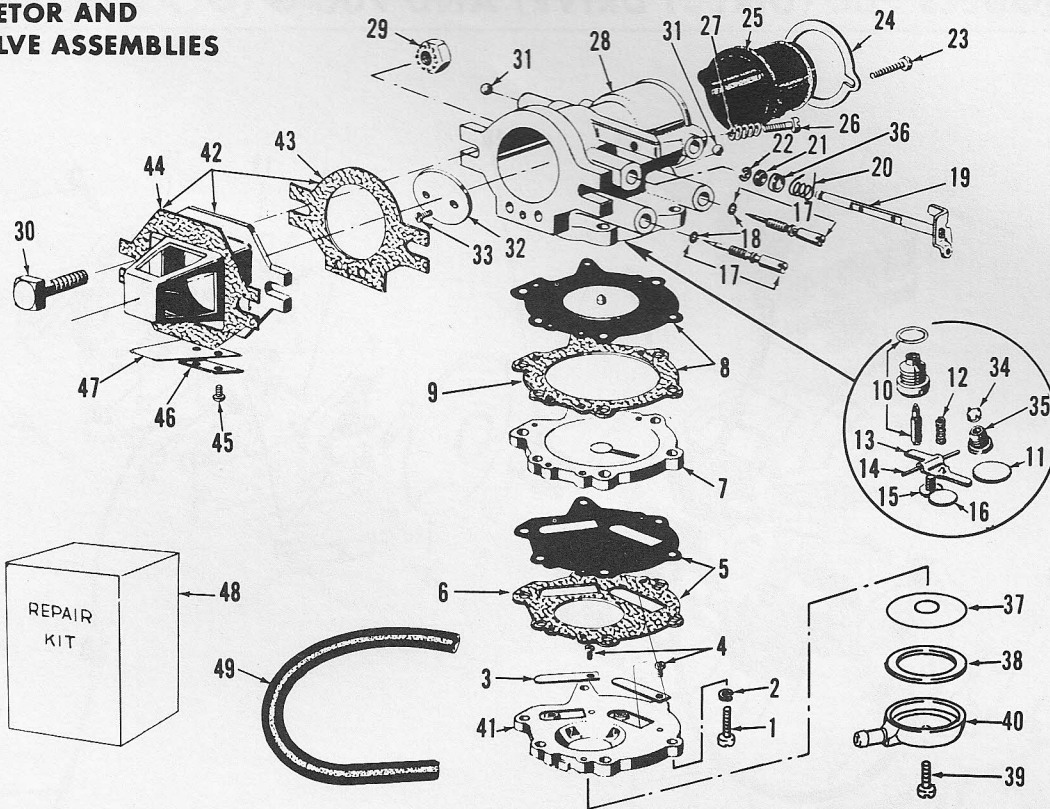


\*Not Shown  
†Available in Assembly Only.



# 700 SERIES MODELS 700 (DIRECT DRIVE) AND 700-G (GEAR DRIVE)

## CARBURETOR AND REED VALVE ASSEMBLIES



### CARBURETOR AND REED VALVE ASSEMBLIES PARTS LIST

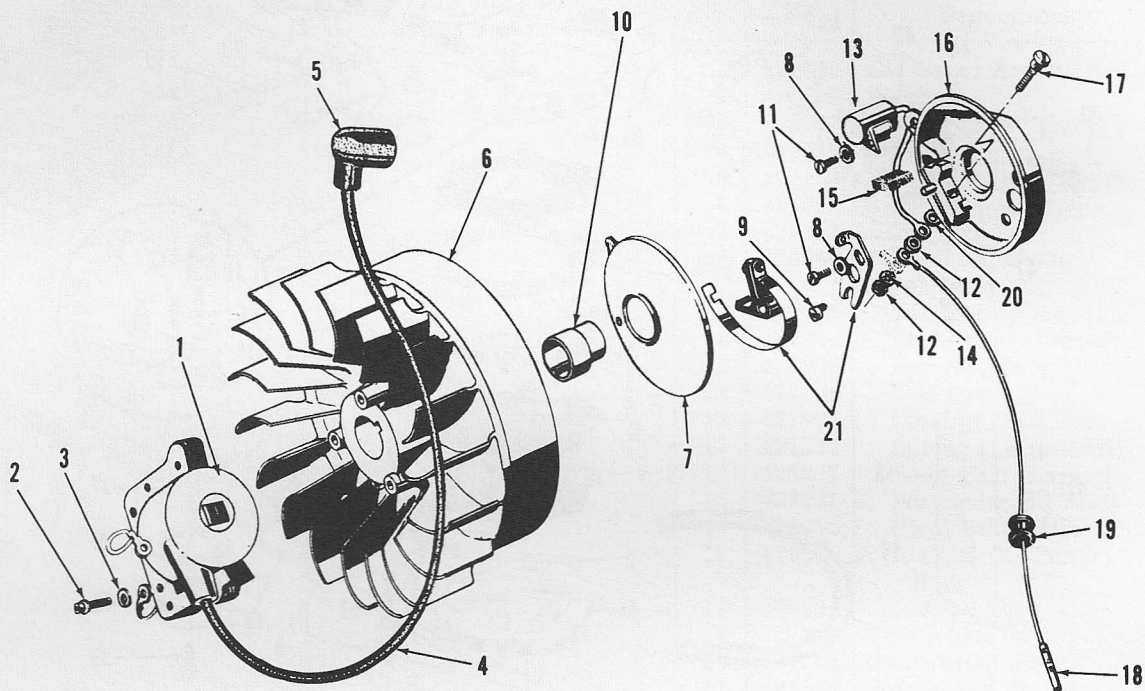
Ref. No.	Part No.	Description	Qty. Req'd.	Ref. No.	Part No.	Description	Qty. Req'd.
	379030	Carburetor Assembly Complete	1	21	427516	. Washer (Throttle)	1
1	427248	. Screw (Housing to Body)	6	22	202755	. Retaining Clip (Throttle)	2
2	306310	. Washer	6	23	309798	. Screw (Grommet to Carb.)	1
3	309466	. Valve (Fuel Pump)	2	24	427139	. Retainer	1
4	310822	. Screw (Valve to Housing)	2	25	427138	. Intake Grommet	1
**5	379234	. Fuel Pump Diaphragm and Gasket Set	1	26	309462	. Screw (Idle Adj.)	1
**6	309464	. . Pump Gasket	1	27	309473	. Spring (Idle Adj.)	1
7	309323	. Plate (Diaphragm Carb.)	1	28	379236	. Carburetor Body	1
**8	379233	. Metering Diaphragm and Gasket Set	1	29	304609	. Keps Nut	2
**9	309463	. . Metering Gasket	1	30	427203	. Bolt (Carburetor)	2
**10	379159	. Inlet Needle, Valve and Seat Assy.	1	*31	304201	. Lead Shot	2
*11	202310	. Core Plug	1	32	309443	. Throttle Valve	1
**	379237	. Inlet Control Kit	1	33	303760	. Screw (Throttle Valve)	2
†12	309455	. Spring (Lever)	1	*34	309422	. Check Valve	1
†13	309420	. Lever (Inlet Control)	1	*35	309421	. Valve Seat	1
†14	309456	. Hinge Pin	1	36	427515	. Cup Washer	1
15	309457	. Screw (Hinge Pin)	1	37	427123	. Filter Screen	1
*16	303405	. Core Plug	1	38	427369	. Gasket	1
**17	379232	. Low and High Speed Adj. Needle	2	39	306915	. Swivel Screw	1
18	304598	. "O" Ring (Slow and High Speed)	1	40	310407	. Nylon Swivel	1
19	379036	. Throttle Shaft Assembly	1	41	309320	. Carburetor Housing	1
20	309444	. Spring (Throttle)	1	42	471116	Reed Valve Assy.	1
				43	427137	. Gasket (Reed Valve to Carb.)	1
				44	427136	. Gasket (Rear Handle)	1
				45	302667	. Screw (Plate)	8
				46	427135	. Retainer Plate	4
				47	427134	. Reed	1
				48	379235	Repair Kit	1
				49	427126	Pickup Line	1

†Included in Inlet Control Kit 379237  
\*Included in Carburetor Body 379236

\*\*Included in Repair Kit 379235

## 700 SERIES MODELS 700 (DIRECT DRIVE) AND 700-G (GEAR DRIVE)

### MAGNETO



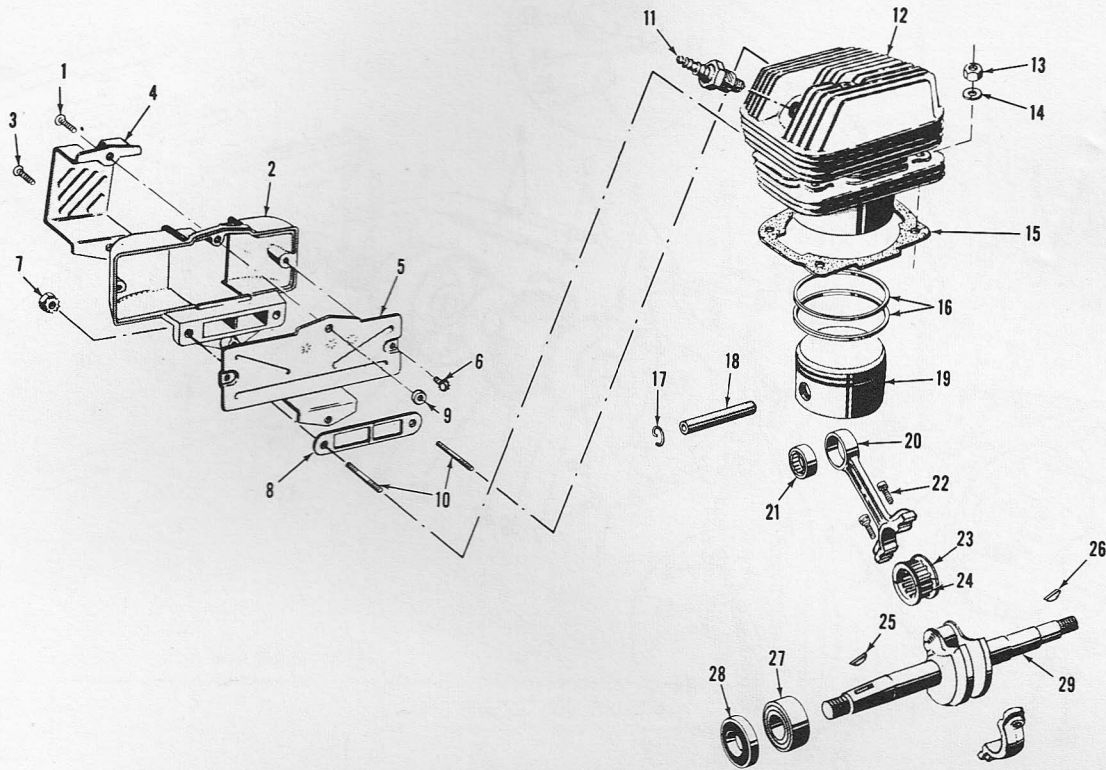
### MAGNETO PARTS LIST

Ref. No.	Part No.	Description	No. Req'd.	Ref. No.	Part No.	Description	Qty. Req'd.
1	580454	Coil and Lamination Assembly	1	12	302437	Nut	2
2	510397	Screw	3	13	426528	Condenser	1
3	300154	Washer	1	14	307247	Washer	1
4	426232	High Tension Wire	1	15	510189	Oiler Wick	1
5	580339	Sparky Assembly	1	16	510579	Housing (Contact Breaker)	1
6	580486	Flywheel Assembly	1	17	426522	Terminal Screw	1
7	510577	Cover (Breaker Housing)	1	18	470942	Switch Wire Assy.	1
8	303497	Washer	2	19	425338	Switch Wire Grommet	1
9	510185	Eccentric Screw	1	20	307189	Washer	1
10	510603	Cam	1	21	580560	Breaker Point Assy.	2
11	307193	Screw (Condenser to Crankcase)	2				



# 700 SERIES MODELS 700 (DIRECT DRIVE) AND 700-G (GEAR DRIVE)

## ENGINE

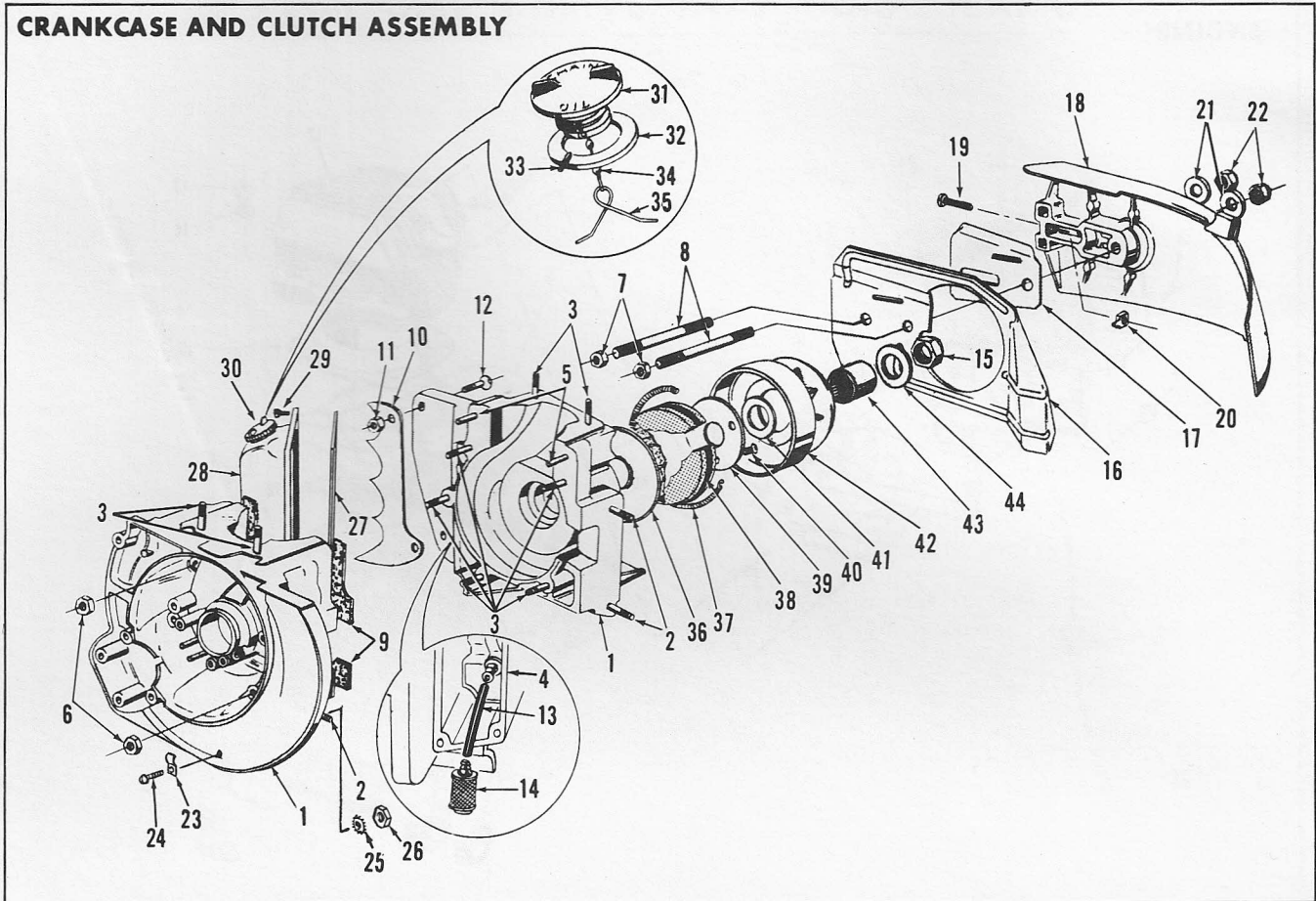


### ENGINE PARTS LIST

Ref. No.	Part No.	Description	Qty. Req'd.	Ref. No.	Part No.	Description	Qty. Req'd.
1	427129	Screw (Cover through Body)	1	15	427523	Gasket (Cylinder Base)	1
2	470937	Muffler Assembly	1	16	471002	Ring Set	1
3	303311	Screw (Cover to Body)	1	17	425062	Retaining Ring	2
4	427076	Muffler Cover	1	18	427480	Wrist Pin	1
5	470945	Muffler Back Plate Assembly	1	19	427585	Piston	1
6	303737	Screw (Back Plate to Body)	2	20	470168	Connecting Rod	1
7	304609	Nut (Muffler)	2	21	425060	Needle Bearing	1
8	427082	Gasket (Muffler)	1	22	304610	Screw - Socket Head	2
9	425649	Insulating Washer	1	23	470927	Bearing Cage Assembly	1
10	425334	Stud (Cylinder)	2	24	470926	Needles (Pkg. of 12)	1
11	378101	J-4-J Spark Plug (700G)	1	25	425061	Key - Flywheel	1
11	076152	J-8-J Spark Plug (700)	1	26	425061	Key - Clutch (Model 700G)	1
12	470999	Cylinder Block c/w Studs	1	26	427179	Key - Clutch (Model 700)	1
13	306397	Nut (Cyl. to C'case.)	4	27	425066	Bearing	2
14	306396	Washer (Cyl. to C'case.)	4	28	425076	Seal	2
				29	427365	Crankshaft (Model 700G)	1
				29	471274	Crankshaft (Model 700)	1

## 700 SERIES MODEL 700 (DIRECT DRIVE)

### CRANKCASE AND CLUTCH ASSEMBLY



### CRANKCASE AND CLUTCH ASSEMBLY PARTS LIST

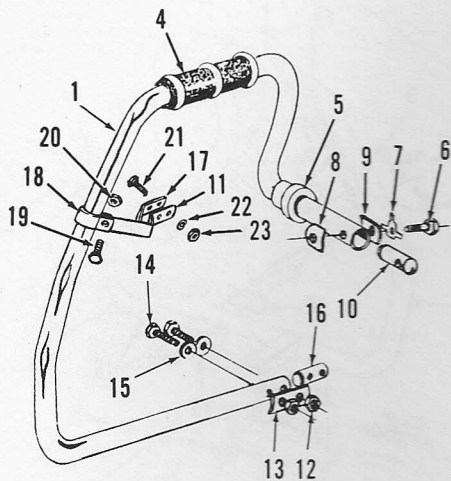
Ref. No.	Part No.	Description	Qty. Req'd.	Ref. No.	Part No.	Description	Qty. Req'd.
1	470938	Crankcase Assembly	1	22	425031	Nut (Strut)	2
2	426642	. Stud	3	23	120001	Clamp	1
3	425578	. Stud	9	24	306460	Screw	1
4	426220	. Oiler Intake Connector	1	25	303916	Washer	1
5	427073	. Taper Pin	2	26	130450	Nut	1
6	304609	. Nut	5	27	427196	Gasket (Oiler Body)	1
7	425078	. Nut (Strut Stud)	2	28	427195	Cover (Oil Tank)	1
8	427242	. Stud (Strut)	2	29	302948	Screw (Oil Cover)	4
9	427509	Gasket	1	30	470976	Oiler Filler Cap	1
10	471018	Eastern Pivot Grip Assy.	1	31	427286	. Body	1
*	471019	Western Pivot Grip Assy.	1	32	425074	. Gasket	1
11	427170	Nut	2	33	427289	. Taper Pin	1
12	130491	Screw	2	34	427277	. Bead Chain	1
13	426200	Oiler Inlet Tube	1	35	427288	. Lock Spring	1
14	470193	Oiler Pickup Assy.	1	36	470978	Clutch Driver Assy.	1
15	427181	Nut (Sprocket)	1	37	427188	Clutch Spring	1
16	427232	Inner Guide Plate	1	38	427187	Clutch Shoe	3
17	425674	Outer Guide Plate	1	39	427270	Retaining Plate	1
18	470995	Strut Assembly	1	40	302104	Screw (Clutch)	3
*	471189	Bow Strut Assy.	1	41	427185	Thrust (Washer)	1
19	202190	. Tension Screw	1	42	471152	Sprocket Assy. - .4	1
20	425672	. Tension Pin	1	43	425091	. Needle Bearing (Clutch Drum)	1
21	425116	Washer (Strut)	2	44	427413	Washer (Sprocket)	1

\*Not Shown

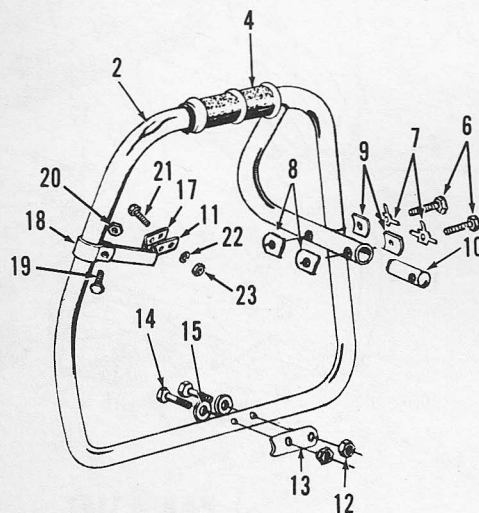


# 700 SERIES MODEL 700 (DIRECT DRIVE)

**HALF HANDLE**



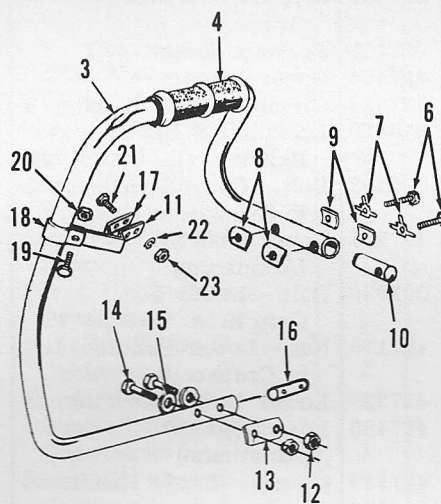
**FULL WRAP HANDLE**



## PARTS LIST

Ref. No.	Part No.	Description	Qt. Req'd. per Handle		
			Half	Full Wrap	Bow Attach.
1	470994	Front Handle Assy. (with Grip)	1	-	-
2	471007	Front Handle Assy. (with Grip)	1	1	-
3	471188	Front Handle Assy. (with Grip)	-	-	1
4	470795	Grip	1	1	1
5	427395	Handle Spacer	1	-	-
6	306493	Bolt	1	2	2
7	310860	Lock Plate	1	2	2
8	427494	Upper Spacer	1	2	2
9	427394	Clamp (Upper Handle)	1	2	2
10	427228	Upper Insert	1	1	1
11	427495	Forward Brace	1	1	1
12	425713	Nut (Lower Handle)	2	2	2
13	427493	Lower Spacer	1	1	1
14	302030	Bolt (Lower Handle)	2	2	2
15	306482	Washer (Lower Handle)	2	2	2
16	427229	Lower Insert	1	1	1
17	427499	Support (Forward Brace)	1	1	1
18	427249	Brace Clamp	1	1	1
19	603105	. Screw	1	1	1
20	426942	. Nut	1	1	1
21	302948	Screw (Brace to Cover)	2	2	2
*21	306527	Screw (Brace to Cover)	2	2	2
*22	120052	Lockwasher	2	2	2
*23	306531	Nut	2	2	2
NOTE: Handles to these specs. ended on production with Serial Nos. indicated.			251825	237065	251825

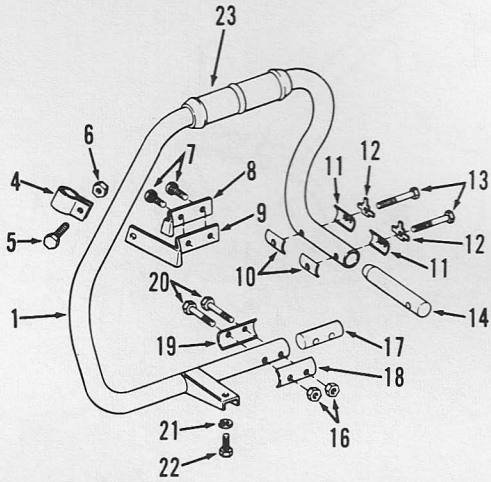
**FRONT HANDLE  
(FOR BOW ATTACHMENT)**



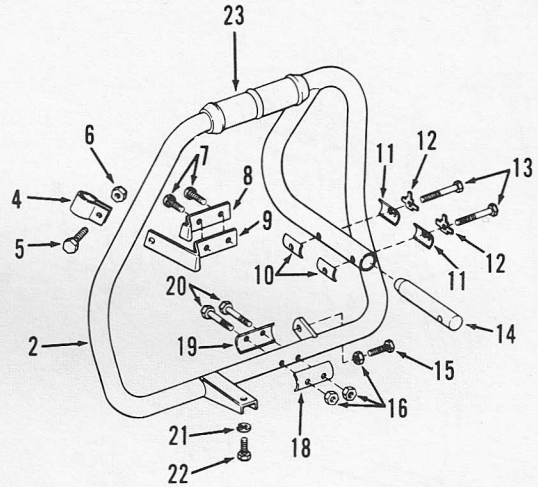
\*Field Modification Only

# 700 SERIES MODEL 700 (DIRECT DRIVE)

### HALF HANDLE



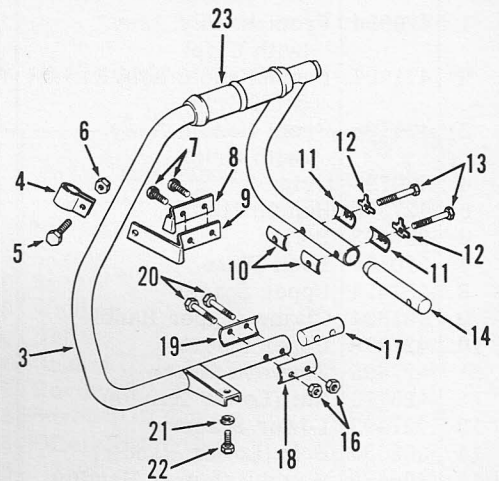
### FULL WRAP HANDLE



### PARTS LIST

Ref. No.	Part No.	Description	Qty. Req'd. per Handle		
			Half	Full Wrap	Bow Attach.
1	470994	Front Handle Assembly	1	-	-
2	471007	Front Handle Assembly	-	1	-
3	471188	Front Handle Assembly	-	-	1
4	427249	Brace Clamp	1	1	1
5	603105	. Screw - Brace Clamp	1	1	1
6	426942	. Nut - Brace Clamp	1	1	1
7	302948	Screw - Brace to Cover	2	2	2
8	427499	Support - Forward Brace	1	1	1
9	427495	Forward Brace	1	1	1
10	427494	Upper Spacer	2	2	2
11	427394	Clamp - Upper Handle	2	2	2
12	310860	Lockplate - Upper Handle	2	2	2
13	306493	Bolt - Upper Handle to Crankcase	2	2	2
14	427228	Upper Insert (Aluminum)	1	1	1
15	302030	Bolt - Lower P. Grip Hole	-	1	-
16	427170	Nut - Lower Handle to Crankcase	2	3	2
17	427229	Lower Insert (Delrin)	1	-	1
18	427493	Lower Spacer (Aluminum)	1	1	1
19	427519	Clamp - Lower Handle	1	1	1
20	306778	Screw - Lower Handle to Crankcase	2	2	2
21	302376	Lockwasher - Bracket to Crankcase	1	1	1
22	306487	Screw - Bracket to Crankcase	1	1	1
23	470795	Handle Grip Kit	1	1	1
NOTE: Handles to these specs. began on production with Serial Nos. indicated.			281826	237066	251826

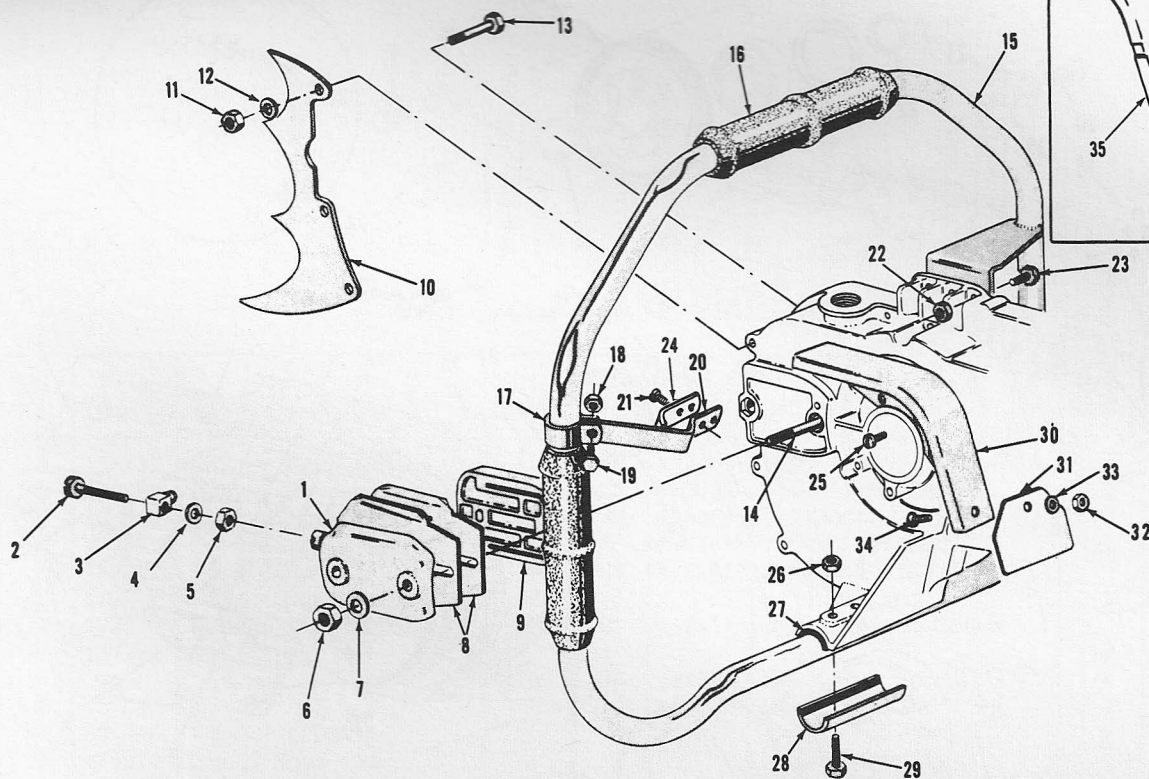
### FRONT HANDLE (FOR BOW ATTACHMENT)





## 700 SERIES MODEL 700-G (GEAR DRIVE)

### FRONT HANDLE ASSEMBLIES



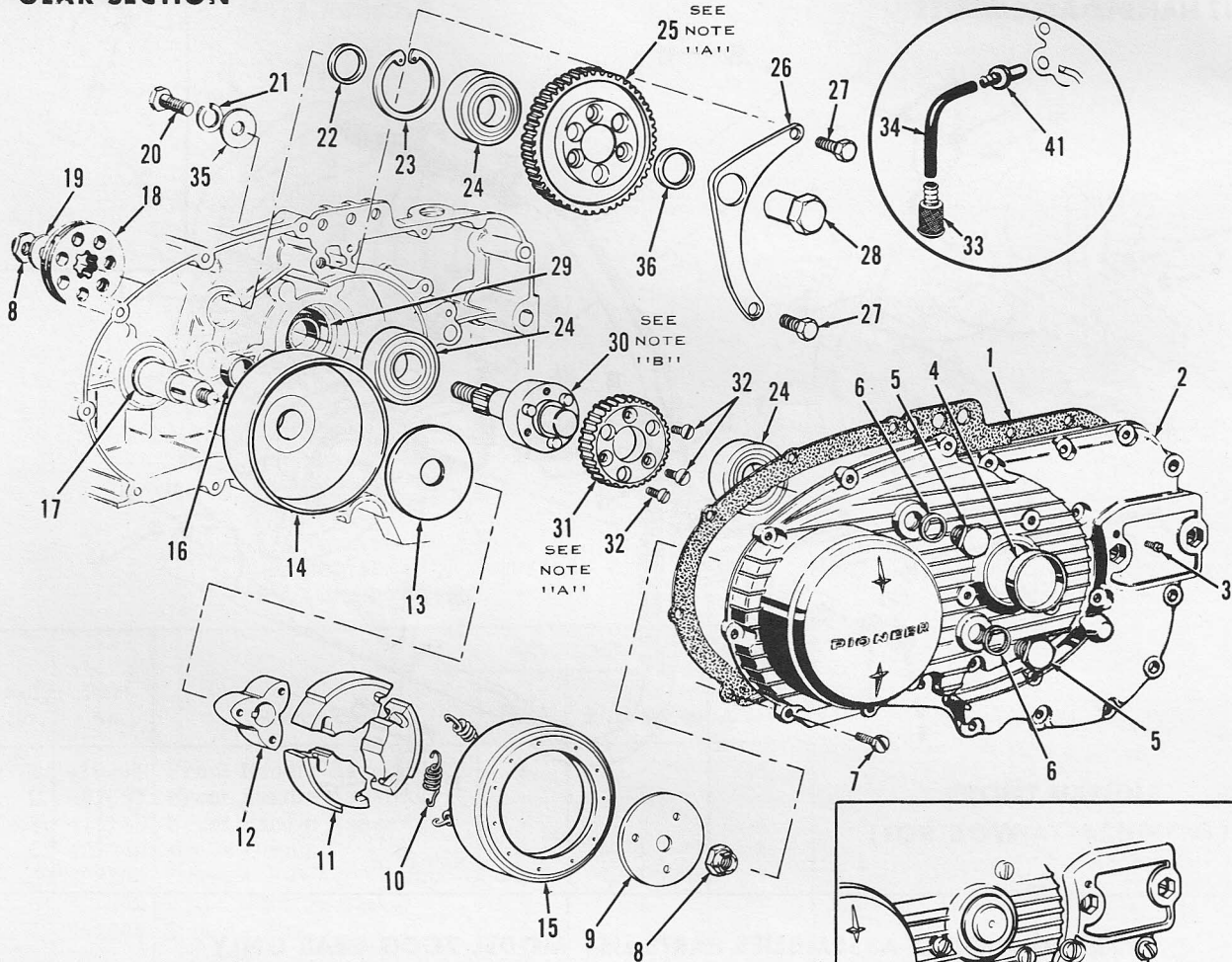
### FRONT HANDLE ASSEMBLIES PARTS LIST MODEL 700G GEAR ONLY

Ref. No.	Part No.	Description	Qty. Req'd.	Ref. No.	Part No.	Description	Qty. Req'd.
1	470987	Bar Clamp Pad Assembly	1	20	427089	Forward Brace	1
2	427173	. Tension Screw	1	21	302948	Screw (Brace to Cover)	2
3	427238	. Tension Pin	1	22	426942	Nut (Handle Bracket)	2
4	306482	. Washer	1	23	603105	Screw (Handle Bracket)	2
5	427170	. Nut	1	24	427499	Support (Forward Brace)	1
6	427247	Nut (Guide Bar Bolt)	2	25	307019	Screw (Deflector to Crankcase)	3
7	427240	Washer (Guide Bar Bolt)	2	26	426942	Nut (Handlebar to Crankcase)	2
8	427218	Inner and Outer Guide Plate	2	27	427067	Shock Absorber	1
9	427217	Bar Pad	1	28	427223	Clamp (Handlebar to Crankcase)	1
10	427220	Western Pivot Grip	1	29	304627	Screw (Handlebar to Crankcase)	2
*	427224	Eastern Pivot Grip	1	30	471111	Sawdust Deflector Assembly	1
11	426942	Nut	3	31	427371	. Extension Flap	1
12	306358	Washer	3	32	427373	. Locknut	1
13	427077	Bolt	3	33	306413	. Washer	1
14	427080	Guide Bar Bolt	2	34	306286	. Pan Head Screw	1
15	470989	Front Handle Assy.	1	35	427443	Sawdust Deflector (Modified for Bow Attachment)	1
16	470795	Handle Grip Assembly (Incl. 2-oz. Tube of Adhesive)	1				
17	427249	Brace Clamp	1				
18	426942	. Nut	1				
19	603105	. Screw	1				

\*Not Shown

# 700 SERIES MODEL 700-G (GEAR DRIVE)

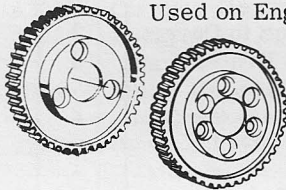
## GEAR SECTION



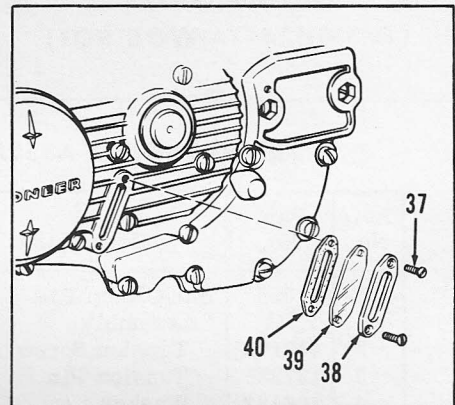
### NOTE "A"

427206 (32-Tooth Gear) and 427198 (47-Tooth Gear)

Used on Engines to Serial No. 222383 Inclusive

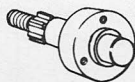


\* Used on Engines with  
Serial No. 222517 and up.

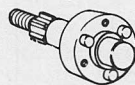


### NOTE "B"

471181 Output Shaft Assembly



Used on Engines to Serial  
No. 222383 Inclusive



\* Used on Engines with Serial  
No. 222517 and up.

\* When used for Service replacement  
together, use 3 - 427236 Buttonhead  
screws.



# 700 SERIES MODEL 700-G (GEAR DRIVE)

## GEAR SECTION PARTS LIST

Ref. No.	Part No.	Description	Qty. Req'd.	Ref. No.	Part No.	Description	Qty. Req'd.
1	427183	Gasket (Gear Cover)	1	*	470982	Idler Gear Assy.	1
2	471187	Gear Case Cover	1	23	425067	. Retaining Ring	1
3	306373	Screw (Chain Oil)	1	24	425066	. Bearing	3
4	427199	Cover (Output Shaft)	1	25	427198	. Gear (47 Tooth)	1
5	427211	Plug (Gear Oil)	2	26	427201	Bracer Plate (Idler Spindle)	1
6	170280	Plug Screw Gasket	2	27	552421	Bolt (Plate to Crank-case)	2
7	302948	Screw (Gear Cover)	17	28	427202	Idler Gear Spindle	1
8	427181	Nut (Clutch and Sprocket)	2	29	425076	Seal	1
9	427147	Washer (Clutch)	1	30	471181	Output Shaft Assy.	1
†9	427486	Washer (Clutch)	1	*		. Drive Pin (Not Serviced)	3
*	470974	Clutch Shoe Assy.	1	31	427206	Gear (32 Tooth)	1
10	427178	. Clutch Spring	3	32	427236	Screw (Buttonhead)	3
11	470975	. Clutch Shoe	3	33	470193	Oiler Pickup Assy.	1
12	427175	. Clutch Driver	1	34	427361	Oiler Inlet Tube	1
13	427491	Retainer Plate	1	35	425116	Plain Washer	1
14	470972	Clutch Drum Assy.	1	36	427197	Spacer	1
15	427485	Clutch Cover	1	•37	427081	Screw	2
16	427182	Plug (Idler Spindle)	1	•38	427210	Sight Glass Cover	1
17	427180	Thrust Washer	1	•39	427209	Sight Glass	1
18	427132	Sprocket (1/2" Pitch)	1	•40	427208	Sight Glass Gasket	1
19	427240	Washer (Sprocket)	1	**41	427212	Oiler Connector	1
20	306861	Bolt (Idler Spindle)	1				
21	306325	Lockwasher	1				
22	427451	Spacer (Idler Spindle)	1				

●Used on Engines to Serial No. 222042.

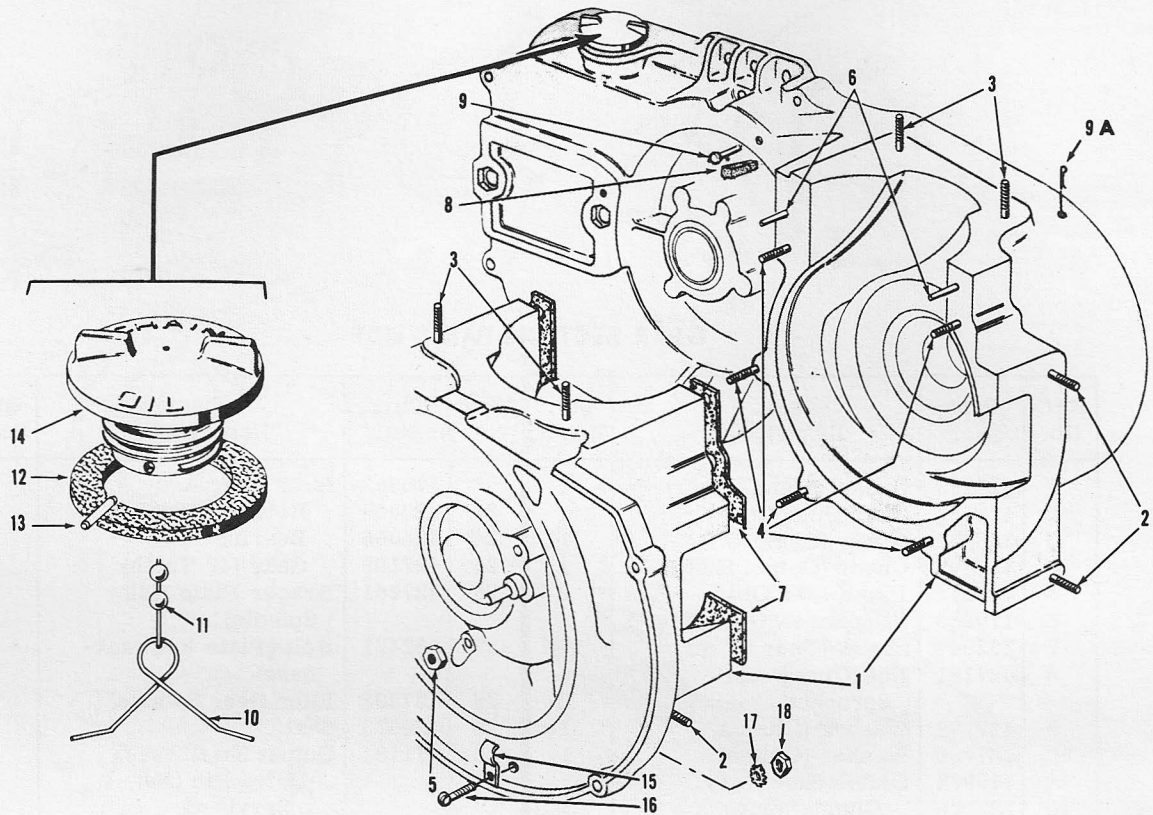
\*\*On Engines with Serial No. 222042 and up the Oil Line Connector is cast into Gear Case Cover 471187.

†Used on Engines with Serial No. 244433 and up with .100 deeper clutch drum superseding 427485 cover and 427147 washer.

\*Not Shown

## 700 SERIES MODEL 700-G (GEAR DRIVE)

### CRANKCASE



### CRANKCASE PARTS LIST

Ref. No.	Part No.	Description	Qty. Req'd.
1	470932	Crankcase Assembly	1
2	426642	. Stud (Crankcase Rear Handle)	3
3	426702	. Stud (Cylinder)	4
4	425578	. Stud (Blower Half)	5
5	304609	. Keps Nut	5
6	427073	. Taper Pin	2
7	427509	. Gasket	1
*8	426708	. Felt (Breather Hole)	1
*9	204815	. Rivet	1
*9A	306370	. Cotter Pin	1
	470976	Oil Filler Cap Assembly	1
10	427288	. Lock Spring	1
11	427277	. Bead Chain	1
12	425074	. Gasket	1
13	427289	. Pin	1
14	427286	. Body	1
15	120001	Clamp	1
16	306460	Screw	1
17	303916	Washer	1
18	130450	Nut	1

\*Gearcase Venting - Items 8 and 9 used on early production  
Item 9A used on later production