

25 CENTS



**PIONEER**

**CHAIN SAWS**

**ILLUSTRATED  
PARTS  
CATALOGUE**

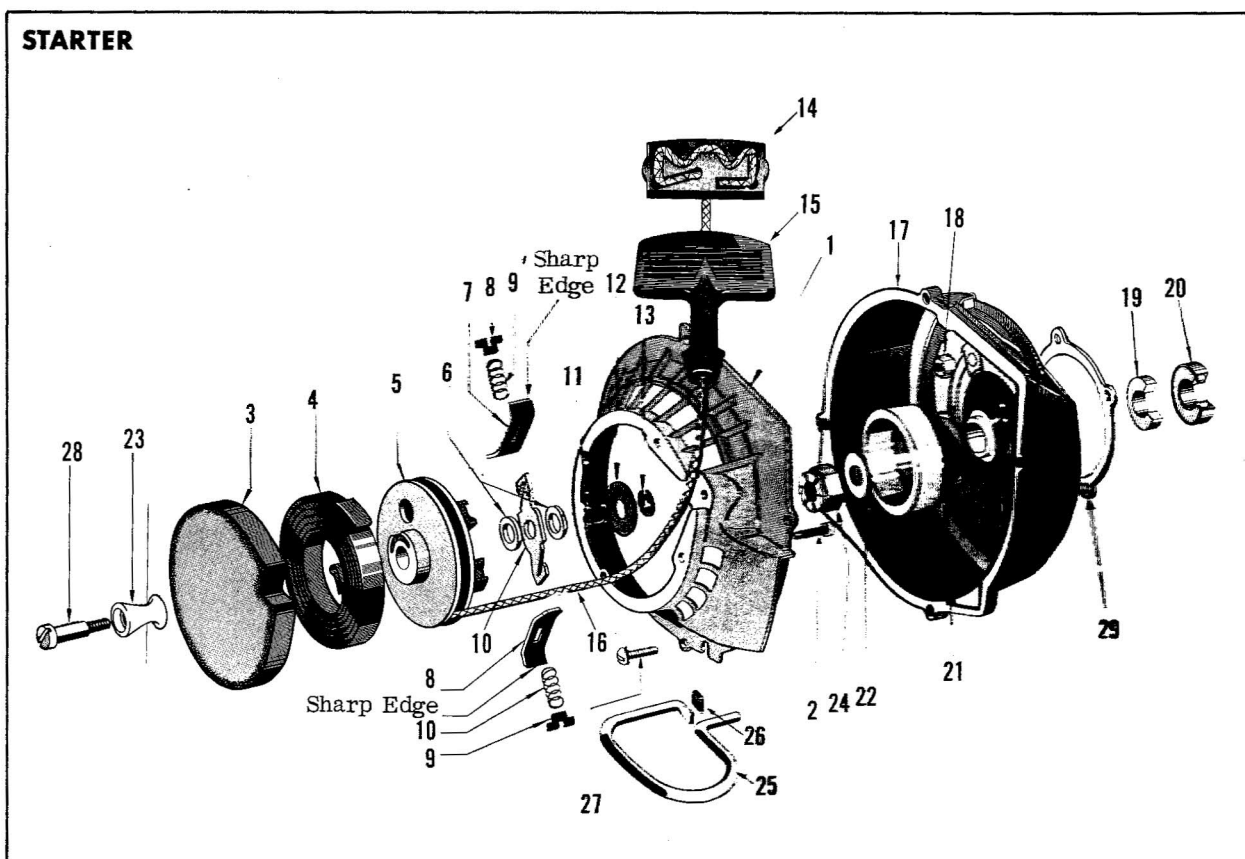
PIONEER SAWS, PETERBOROUGH, ONTARIO, CANADA;  
LINCOLN, NEBRASKA, U.S.A.

LITHO U.S.A.

**MODEL  
650**

PART NO. 430068 11-72

## MODEL 650

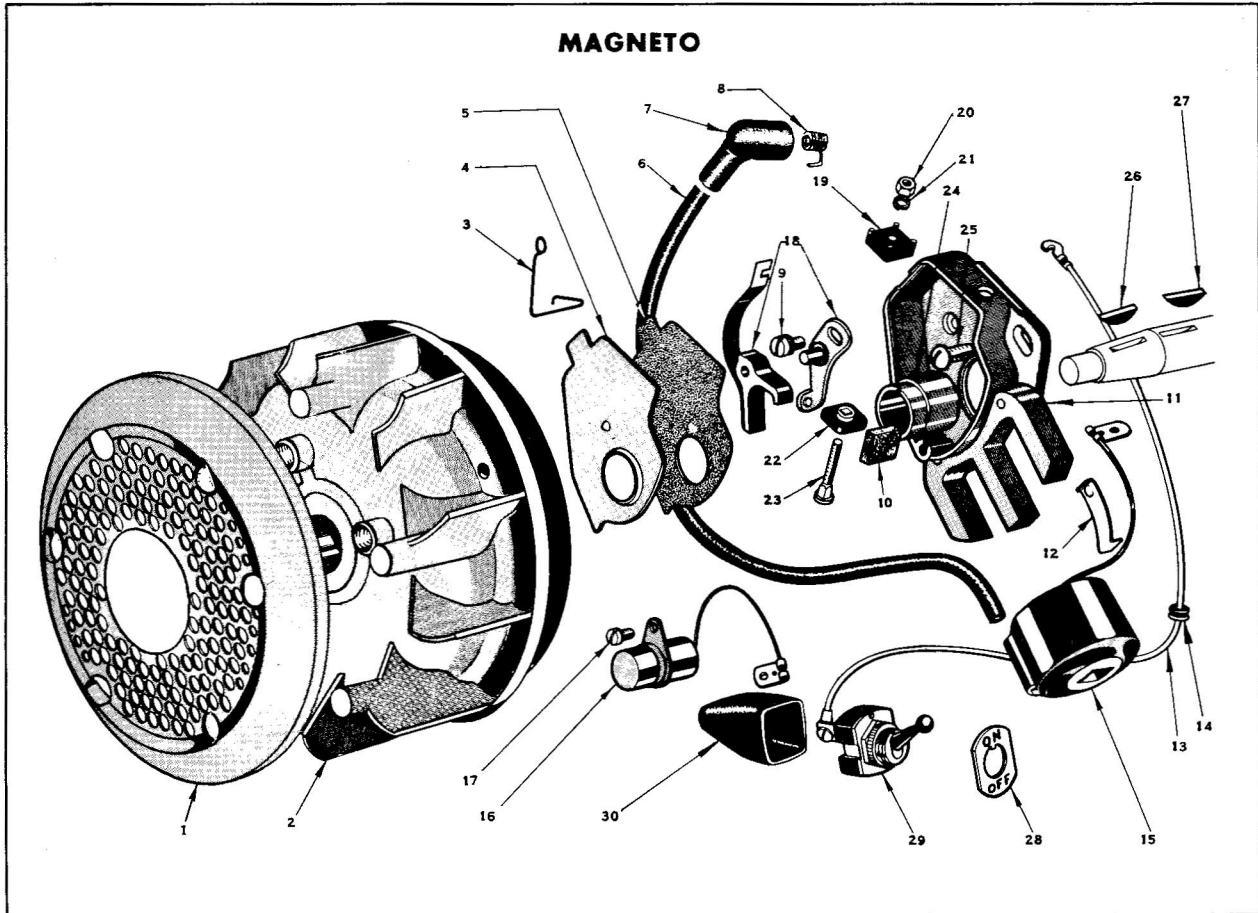


### STARTER PARTS LIST

Ref. No.	Part No.	Description	Qty. Req'd.	Ref. No.	Part No.	Description	Qty. Req'd.
*	470695	Starter Unit With Adapter		13	203470	. . . Clip Ring	1
1	426783	. Starter Adapter	1	14	427492	. . . Cord Anchor	1
2	425708	. Starter Screw, Thread Cutting	4	15	602773	. . . Starter Cord Handle	1
*	470012	. Starter Assembly	1	16	425271	. . Starter Cord	1
3	425275	. . Starter Cover	1	17	426120	Fan Housing	1
4	425276	. . Rewind Spring	1	18	304609	Fan Housing Nut	4
5	425270	. . Rotor Assembly	1	19	425076	Magneto End Seal	1
6	427529	. . Fiber Washer	2	20	425066	Main Bearing	1
*	470233	. . Starter Pawl Assembly	1	21	426784	Starter Cup	1
7	425269	. . . Friction Shoe Plate	2	22	304671	Flywheel Washer	1
8	425273	. . . Spring Retainer	2	23	425665	Starter Cord Roller	1
9	425274	. . . Brake Lever Spring	2	24	425916	Flywheel Nut	1
10	425272	. . . Brake Lever	1	25	470699	Foothold Loop Assembly	1
11	425278	. . Brake Spring	1	26	426663	. Foothold Loop Grommet	1
12	425281	. . Brake Retainer Washer	1	27	302948	Starter Adapter Screw	4
				28	425709	Roller Pin	1
				29	427193	Fan Housing Gasket	1

\*Not Shown

# MODEL 650



## MAGNETO PARTS LIST

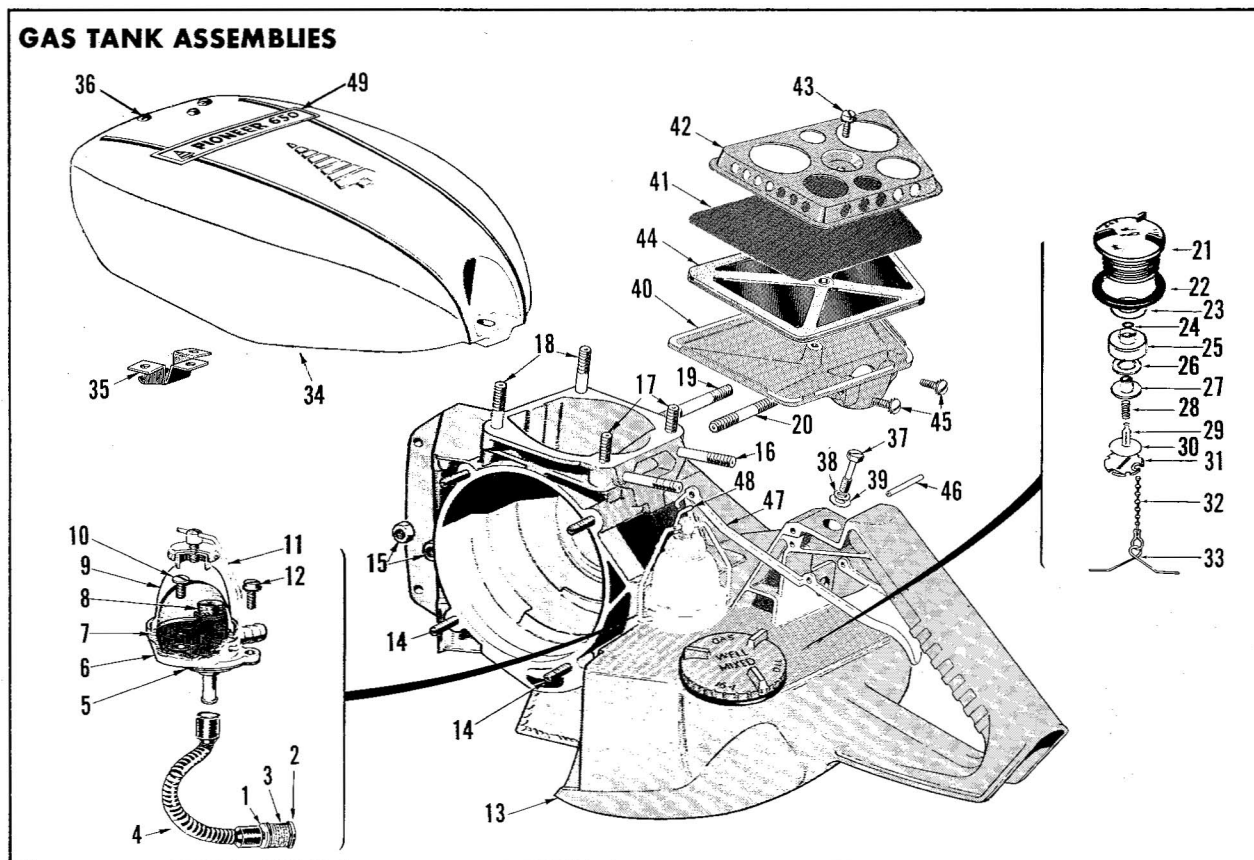
Ref. No.	Part No.	Description	Qty. Req'd.	Ref. No.	Part No.	Description	Qty. Req'd.
1	426782	Rotating Screen	1	16	425702	. Condenser and Lead Wire	1
2	426225	Flywheel	1	17	425360	. Condenser Clamp Screw	1
*	470438	Magneto Stator, Complete	1	18	470188	. Breaker Point Set	1
3	425698	. Breaker Box Cover Spring	1	*	470186	. Terminal Connection Unit	1
4	425689	. Breaker Box Cover	1	19	425699	. . Stud Insulator, Outside	1
5	425690	. Gasket	1	20	425697	. . Nut	1
6	426232	. High Tension Wire	1	21	425692	. . Lockwasher	1
7	580339	. Rubber Sparky Assembly	1	22	425700	. . Stud Insulator, Inside	1
8	**	. . Sparky Spring		23	425696	. . Stud	1
9	425693	. Breaker Plate Screw	1	24	425687	Cam	1
10	425694	. Cam Wiper Felt	1	25	304605	Magneto Stator Screw	2
11	470183	. Stator Plate Group, Stator Plate and Coil Only	1	26	425061	Flywheel Key	1
12	425701	. Coil Wedge Spring	1	27	425100	Magneto Cam Key	1
13	470192	. Switch Wire Assy.	1	28	425729	On-Off Switch Plate	1
14	425338	. . Grommet	1	29	425101	Ignition Switch	1
15	470187	. Coil Group	1	30	425985	Switch Terminal Cover	1

\*Not Shown

\*\*Serviced in assembly only

# MODEL 650

## GAS TANK ASSEMBLIES



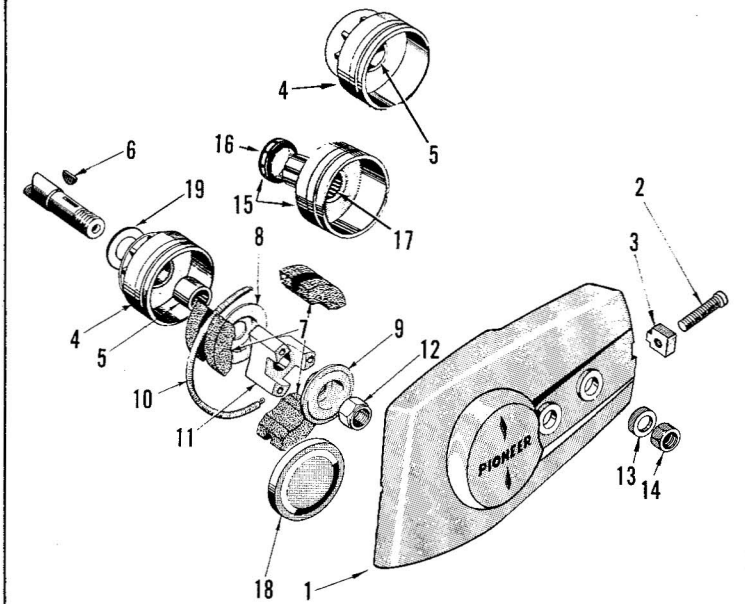
## GAS TANK ASSEMBLIES PARTS LIST

Ref. No.	Part No.	Description	Qty. Req'd.	Ref. No.	Part No.	Description	Qty. Req'd.
1	470090	Gas Pickup Assembly	1	26	427274	. Valve (Vacuum)	1
2	304614	. "O" Ring	2	27	427275	. Backing Plate (Valve)	1
3	425317	. Pickup Screen	1	28	427280	. Spring	1
4	425343	Flex Pickup Line	1	29	427279	. Stem Valve	1
5	425669	Filter Base Gasket	1	30	427376	. Filter Disc	1
6	470740	Filter Base Assembly (Connectors Cast in Assembly)	1	31	427278	. Cover	1
7	425748	Filter Bowl Gasket	1	32	427277	. Bead Chain	1
8	425670	Filter Felt	1	33	427213	. Lock Spring	1
9	425422	Filter Bowl	1	34	471262	Outer Shroud Assembly	1
10	306514	Filter Base Screw	1	35	425653	. Front Shroud Hook	1
11	470194	Clamp Unit	1	36	308014	. Rivet	3
12	305230	Filter Base Screw	1	37	426869	. Shroud Bolt	1
13	470737	Crankcase Assembly	1	38	308134	. External Shakeproof Washer	1
14	425075	. Fan Housing Stud	4	39	306407	. Flat Washer	1
15	425078	. Strut Stud Nut	2	40	470742	Air Cleaner Assembly	1
16	426702	. Carburetor Stud	2	41	470743	. Air Cleaner Element	1
17	426642	. Cylinder Stud (Short)	2	42	426875	. Air Cleaner Cover	1
18	425578	. Cylinder Stud (Long)	2	43	302948	. Screw	1
19	426121	. Strut Stud	1	44	470925	. WireScreen Assy	1
20	425027	. Strut Stud (Short)	1	45	308116	Screw - Air Cleaner to Carb.	2
*	471283	Gas Cap Assembly	1	46	426636	Throttle Hinge Pin	1
21	427587	. Body	1	47	426969	Throttle Trigger	1
22	425087	. Gasket (Gas Cap)	1	48	426931	Throttle Link	1
23	427273	. Gasket (Valve Body)	1	49	427554	Decal	1
24	427281	. "O" Ring (Valve)	1				
25	427276	. Body (Valve)	1				

\*Not shown

# MODEL 650

## CLUTCH

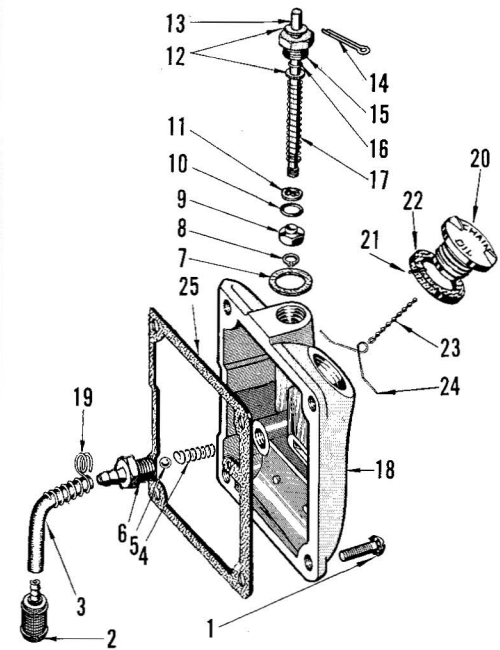


### CLUTCH PARTS LIST

Ref. No.	Part No.	Description	Qty. Req'd.
1	471257	Strut Assembly	1
2	202190	. Chain Adjusting Screw	1
3	425672	. Chain Adjusting Pin	1
4	473535	Sprocket Assembly - 7T	1
5	425091	. Sprocket Bearing	1
*	471318	Bow Strut Assembly	1
6	425061	Clutch Driver Key	1
*	470789	Clutch Assembly	1
7	426963	. Clutch Shoe	3
8	426965	. Inner Plate	1
9	426966	. Outer Plate	1
10	426964	. Clutch Spring	1
11	426962	. Clutch Driver	1
12	425092	Clutch Driver Nut (Flexloc)	1
NOTE: Units with S/N above 636302 use:			
8	429594	Inner Plate	1
9	429674	Outer Plate	1
11	429673	Clutch Driver	1
12	427181	Clutch Nut	1
13	425116	Strut Washer	2
14	425031	Strut Nut	2
+15	471400	Drum and Spline Assembly	1
16	471563	. Sprocket Segment -.4	1
17	425091	. Sprocket Bearing	1
18	425020	Clutch Cover	1
19	428724	Inside Sprocket Washer	1

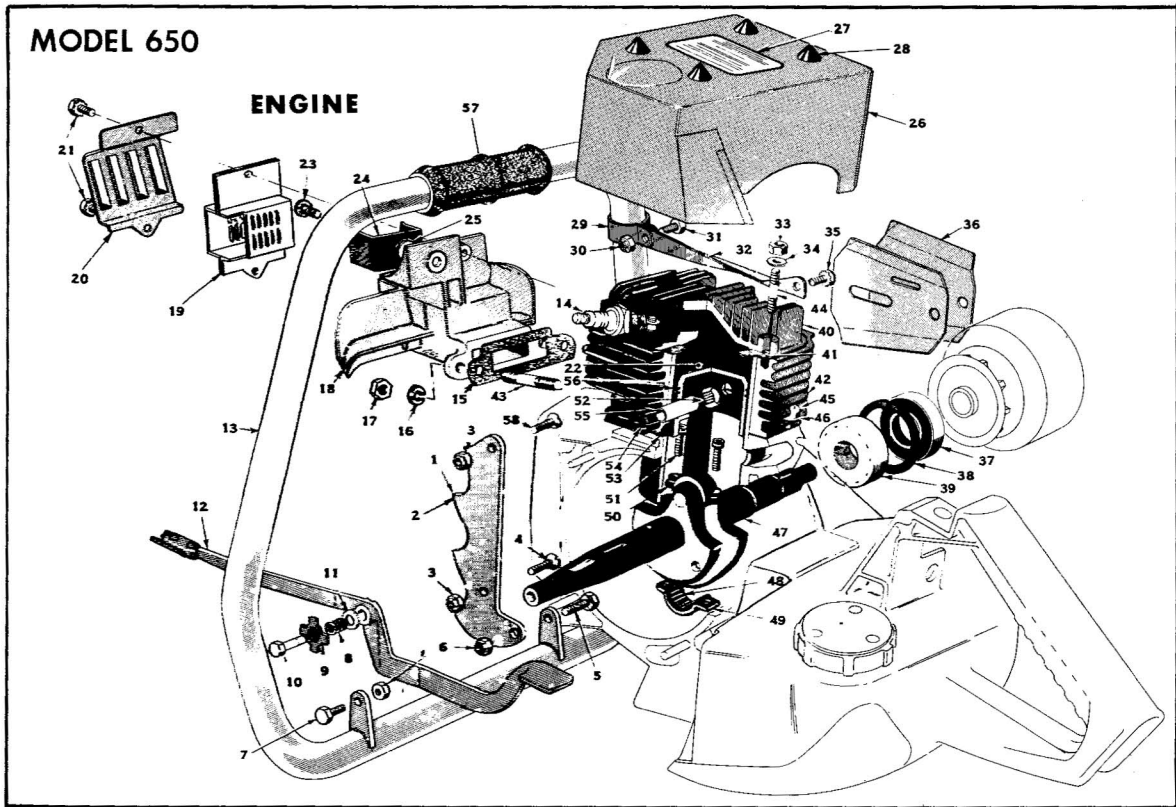
† Optional Service Replacement \* Not Shown  
470789 Clutch Assy. used on units prior to S/N 636302 not modified to splined crankshaft.

## OILER ASSEMBLIES



### OILER ASSEMBLIES PARTS LIST

Ref. No.	Part No.	Description	Qty. Req'd.
*	470430	Oiler Body Complete	
1	302948	. Oiler Body Screw	4
2	470193	. Oiler Pick-Up Assembly	1
3	426200	. Oiler Inlet Tube	1
4	426221	. Oil Ball Valve Spring	2
5	426227	. Oiler Ball	1
6	426220	. Oiler Intake Connector	1
7	425093	. Gland Nut Gasket	1
	470427	. Pump Plunger Assembly	1
8	425114	. . Pump Piston Clip	1
9	426197	. . Pump Piston	1
10	425095	. . Pump Piston Gland ("O" Ring)	1
11	427329	. . Washer	1
12	425021	. . Gland Washer	2
13	426196	. . Plunger Rod	1
14	304634	. . Cotter Pin	1
15	425085	. . Gland Nut	1
16	425028	. . "O" Ring	1
17	426198	. . Pump Spring	1
18	426119	. Oiler Body	1
19	427342	. Spring	1
*	471284	Oiler Filler Cap	1
20	427589	. Body	1
21	427289	. Pin	1
22	425074	. Gasket	1
23	427277	. Bead Chain	1
24	427288	. Lock Spring	1
25	426199	Oiler Body Gasket	1

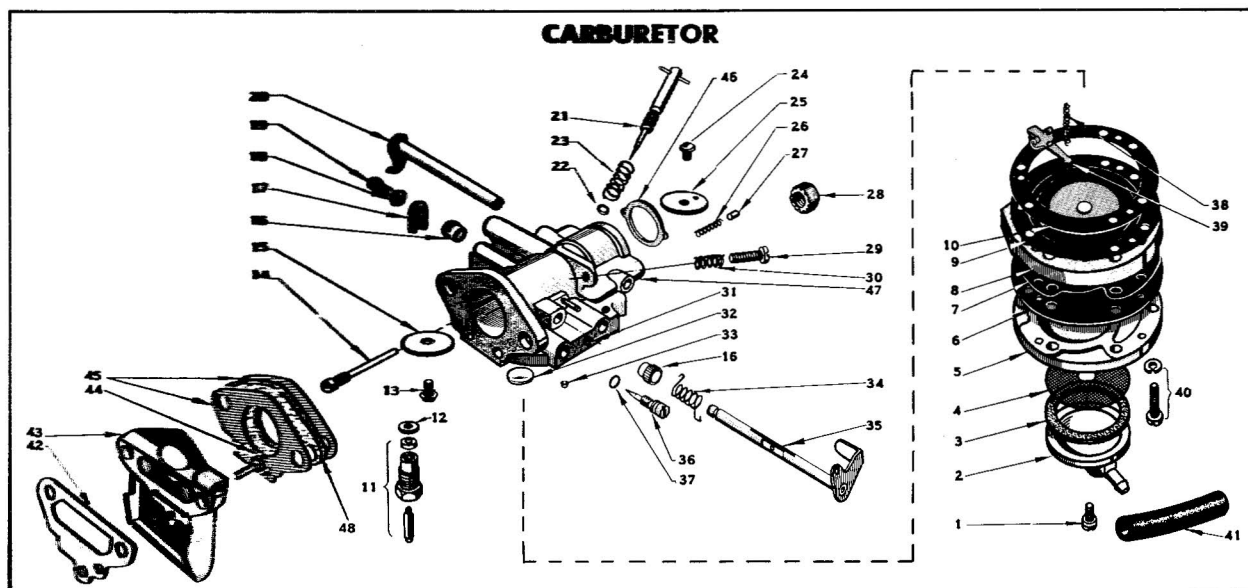


**ENGINE PARTS LIST**

Ref. No.	Part No.	Description	Qty. Req'd.	Ref. No.	Part No.	Description	Qty. Req'd.
1	426203	Pivot Grip, Eastern	1	29	425661	Brace Clamp	1
2	426202	Pivot Grip, Western	1	30	426942	Brace Clamp Locknut	1
3	426942	Nut	2	31	300977	Brace Clamp Bolt	1
4	308330	Screw	1	32	426873	Forward Brace	1
5	131054	Front Handle Bolt, Long	1	33	306397	Cylinder Head Nut	6
6	426942	Front Handle Nut	2	34	552743	Cylinder Head Washer	6
7	300635	Front Handle Bolt, Short	1	35	552421	Forward Brace Bolt	1
8	425319	Oiler Lever Spring	1	36	425674	Guide Plate	2
9	425680	Oiler Lever Pin Lock	1	37	425077	Drive End Seal	1
10	425705	Oiler Lever Pin	1	38	425067	Clip Ring	1
11	425021	Oiler Lever Washer	1	39	425066	Main Bearing	1
12	470428	Oiler Lever Assy.	1	40	425648	Cylinder Head	1
13	†471264	Front Handle Assy., Includes Grip	1	41	425643	Cylinder Head Gasket	1
14	076152	Spark Plug	1	42	470468	Cylinder Block Assembly	1
15	426205	Exhaust Gasket	1	43	425334	. Exhaust Stud	2
16	306396	Lockwasher	2	44	425334	. Cylinder Head Stud	6
17	306397	Nut	2	45	306397	Cylinder Base Nut	4
18	470739	Muffler Assembly	1	46	306396	Spring Lock Washer	4
19	470787	. Spark Arrestor Assembly	1	47	+473570	Crankshaft Assembly	1
20	426858	. Exhaust Deflector	1	48	470926	Needles, Set of 12	1
21	307613	. Screw	2	49	470927	Bearing Cage Set	1
22	425640	Piston	1	50	470168	Connecting Rod Assembly	1
23	304607	Exhaust Screw	1	51	304610	. Socket Head Screw	2
24	425655	Latch Trunnion	1	52	425060	. Needle Bearing	1
25	425649	Exhaust Insulating Washer	1	53	426204	Cylinder Base Gasket	1
26	470746	Inner Shroud Assembly	1	54	425062	Wrist Pin Retainer	2
27	*	. Warning Decal	1	55	425641	Wrist Pin	1
28	426746	. Bumpers	4	56	470777	Piston Ring Set	1
				57	470795	Handle Grip - Service	
				58	131054	Bolt - Pivot Grip	1

\*Not Serviced † Optional 1/2 handle assembly, 471265 + 473570 Crankshaft Modification Kit used on units prior to S/N 636302 After S/N 636302 use Crankshaft only Part #473569

# MODEL 650



## CARBURETOR PARTS LIST

Ref. No.	Part No.	Description	Qty. Req'd.	Ref. No.	Part No.	Description	Qty. Req'd.
*	470860	Carburetor Assembly	1	26	425450	Choke Friction Spring	1
**1	425741	Fuel Strainer Cover Retaining Screw	1	27	425407	Choke Friction Pin	1
2	425492	Fuel Strainer Cover	1	28	304609	Carburetor Nut	2
x**3	425493	Fuel Strainer Cover Gasket	1	**29	425401	Idle Speed Regulating Screw	1
**4	425494	Fuel Strainer Screen	1	**30	425386	Idle Speed Regulating Screw Spring	1
5	425490	Fuel Pump Body	1	31	425391	Diaphragm Chamber Drain Screw	1
**6	426909	Fuel Pump Diaphragm	1	**32	425394	Body Channel Welch Plug	1
x**7	425506	Fuel Pump Gasket	1	**33	425501	Body Channel Cup Plug	1
8	425744	Diaphragm Cover	1	**34	425505	Throttle Shaft Return Spring	1
**9	470361	Diaphragm	1	35	470119	Throttle Shaft and Lever	1
x**10	425496	Diaphragm Gasket	1	**36	470195	Idle Adjustment Screw	1
**11	470118	Inlet Needle, Seat and Gasket	1	x**37	425502	Seal Ring	1
x**12	425486	Inlet Seat Gasket	1	**38	425498	Inlet Tension Spring	1
**13	426145	Throttle Shutter Screw	1	**39	425489	Inlet Control Lever	1
**14	470395	Inlet Control Lever Pinion Screw	1	40	426146	Fuel Pump Body Screw and Lock-washer	6
15	425446	Throttle Shutter	1	41	426997	Fuel Line	1
16	425469	Throttle Shaft Bushing	2	42	426123	Gasket, Adapter to Crankcase	1
17	425459	Throttle Shaft Clip	1	43	426193	Carburetor Adapter	1
18	425387	Throttle Shaft Clip Washer	1	44	304606	Carburetor Adapter Screw	1
19	425390	Throttle Shaft Clip Retaining Screw	1	x**45	425046	Carburetor Gasket	2
20	470196	Choke Shaft and Lever	1	46	425669	Air Cleaner Gasket	1
**21	470197	Main Adjustment Screw	1	47	470867	Carburetor Body, Complete with Parts Pressed In	1
**22	425502	Seal Ring	1	48	425328	Insulating Gasket	1
**23	425747	Main Adjustment Screw Spring	1				
24	426145	Choke Shutter Screw	1				
25	425456	Choke Shutter	1				

\*Not Shown

\*\*470325 Repair Parts Kit, Also Includes Carburetor Gasket and Packing Kit 470322

xContents of Packing Kit 470322