

25 CENTS



**PIONEER**

**CHAIN SAWS**

**ILLUSTRATED  
PARTS  
CATALOGUE**

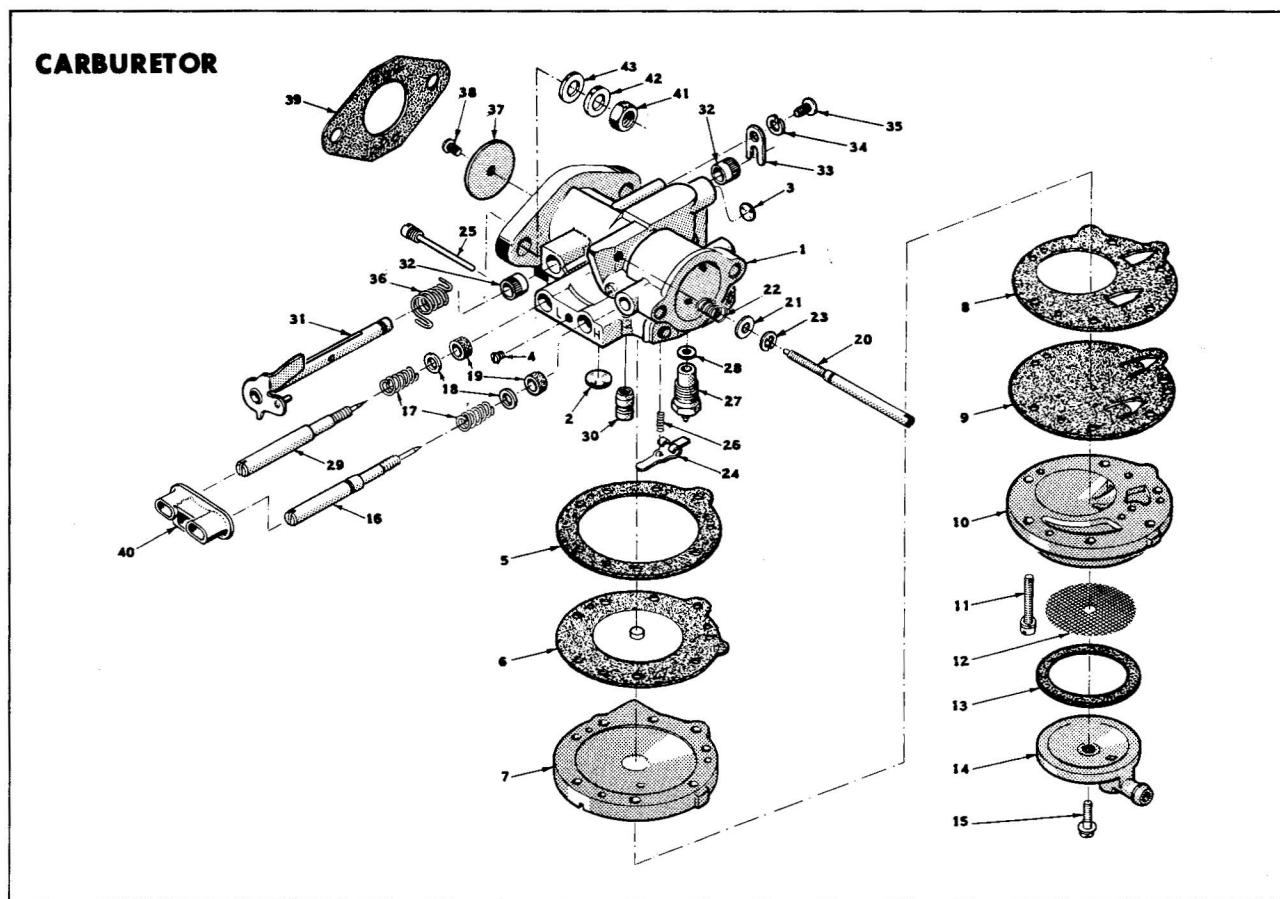
PIONEER SAWS, PETERBOROUGH, ONTARIO, CANADA;  
LINCOLN, NEBRASKA, U.S.A.

LITHO U.S.A.

**MODEL  
450**

PART NO. 430247 11-72

# MODEL 450



## CARBURETOR PARTS LIST

Ref. No.	Part No.	Description	Qty. Req'd.	Ref. No.	Part No.	Description	Qty. Req'd.
*	470756	Carburetor Assembly	1	22	425386	. Spring	1
1	470780	. Carburetor Body, Complete With Parts Pressed In	1	23	426917	. "E" Ring	1
†2	551595	. Welch Plug	1	†24	425489	. Inlet Control Lever	1
3	426910	. Welch Plug	1	†25	470395	. Screw	1
4	425391	. Drain Screw	1	†26	426922	. Inlet Tension Spring	1
×5	425496	. Diaphragm Gasket	1	†27	470118	. Inlet Needle Seat and Gasket	1
†6	470361	. Diaphragm	1	×28	425486	. . Gasket	1
7	425491	. Cover	1	†29	426923	. Main Adjustment Screw	1
×8	425506	. Gasket	1	30	470772	. Nozzle Check Valve	1
†9	426909	. Diaphragm	1	31	470773	. Throttle Shaft and Lever	1
10	425490	. Fuel Pump Body	1	32	425469	. Bushing	2
11	426146	. Screw and Lockwasher	1	33	425459	. Clip	1
†12	425494	. Screen	1	34	425387	. Lockwasher	1
×13	425493	. Gasket	1	35	425390	. Screw	1
14	425492	. Cover	1	†36	426924	. Return Spring	1
†15	425741	. Retaining Screw	1	37	425446	. Throttle Shutter	1
†16	426921	. Idle Adjustment Screw	1	†38	426145	. Screw and Lockwasher	1
†17	425449	. Spring	2	×39	425046	Flange Gasket	1
×18	426919	. Washer	2	40	426878	Grommet	1
×19	426920	. Packing	2	41	306397	Nut	2
†20	470781	. Idle Speed Regulating Screw	1	42	303887	Washer, Plain	2
†21	426916	. . Washer	1	43	426703	Washer, Insulating	2

\*Not Shown

†Part No. 470783 Repair Parts Kit, Also includes Carburetor Gasket and Packing

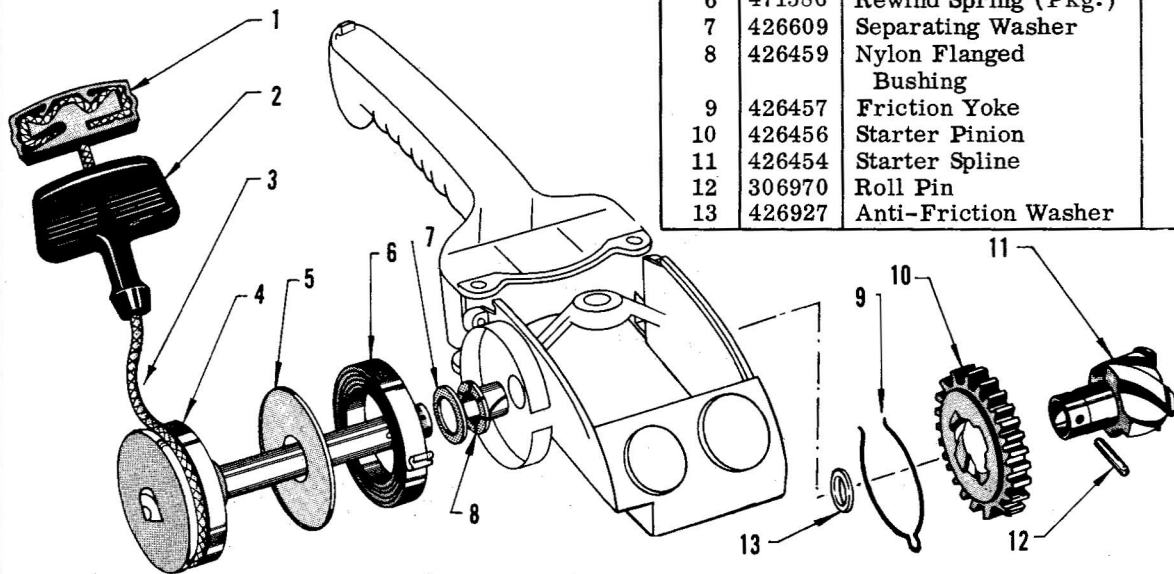
×Kit Part No. 470782.

# MODEL 450

## STARTER PARTS LIST

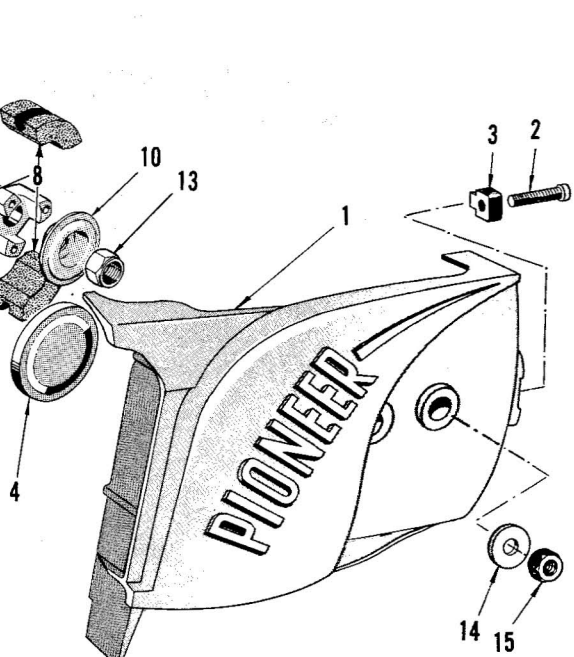
Ref. No.	Part No.	Description	Qty. Req'd.
1	304323	Cord Anchor	1
2	602773	Starter Handle	1
3	426752	Starter Cord	1
4	470588	Starter Pulley	1
5	426524	Rewind Spring Backing Plate	1
6	471586	Rewind Spring (Pkg.)	1
7	426609	Separating Washer	1
8	426459	Nylon Flanged Bushing	1
9	426457	Friction Yoke	1
10	426456	Starter Pinion	1
11	426454	Starter Spline	1
12	306970	Roll Pin	1
13	426927	Anti-Friction Washer	1

### STARTER



### CLUTCH PARTS LIST

Ref. No.	Part No.	Description	Qty. Req'd.
1	471248	Strut Assembly	1
2	202190	. Chain Adjusting Screw	1
3	425672	. Chain Adjusting Pin	1
4	425020	Clutch Cover	1
5	470340	Sprocket Assembly	1
6	425091	. Sprocket Bearing	1
7	425061	Clutch Driver Key	1
+	470789	Clutch Assembly	1
8	426963	. Clutch Shoe	3
9	426965	. Inner Plate	1
10	426966	. Outer Plate	1
11	426964	. Clutch Spring	1
12	426962	. Clutch Driver	1
13	425092	Clutch Driver Nut (Flexloc)	1
14	425116	Strut Washer	2
15	425031	Strut Nut	2

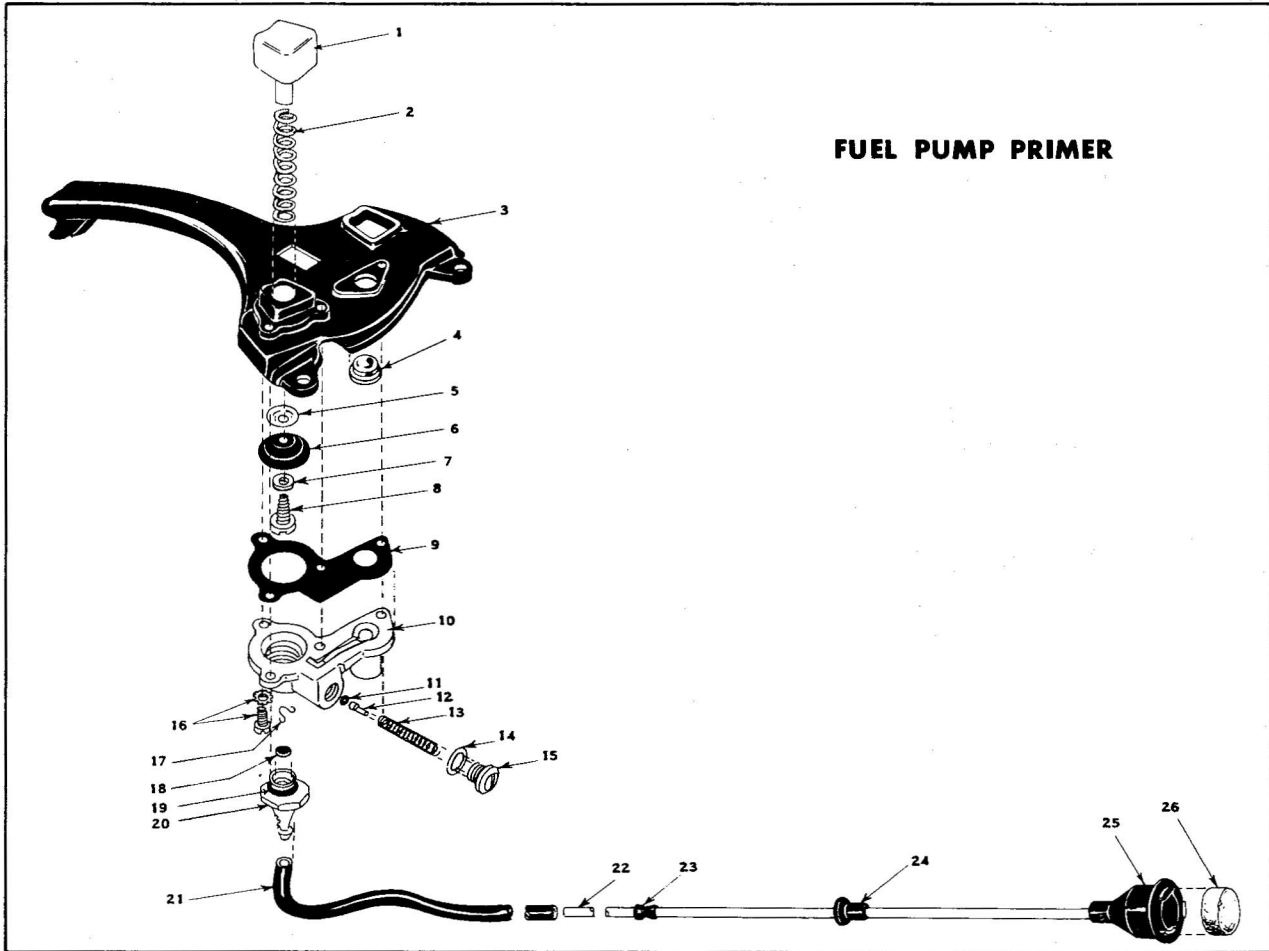


Ref. No.	Part No.	Description	Qty. Req'd.
*16	471400	Drum and Spline Assy	1
17	471563	. Sprocket Segment - .4	1
18	425091	. Sprocket Bearing	1
19	425015	Inside Sprocket Washer	1

\*Optional Service Replacement

+Not shown

# MODEL 450



## FUEL PUMP PRIMER

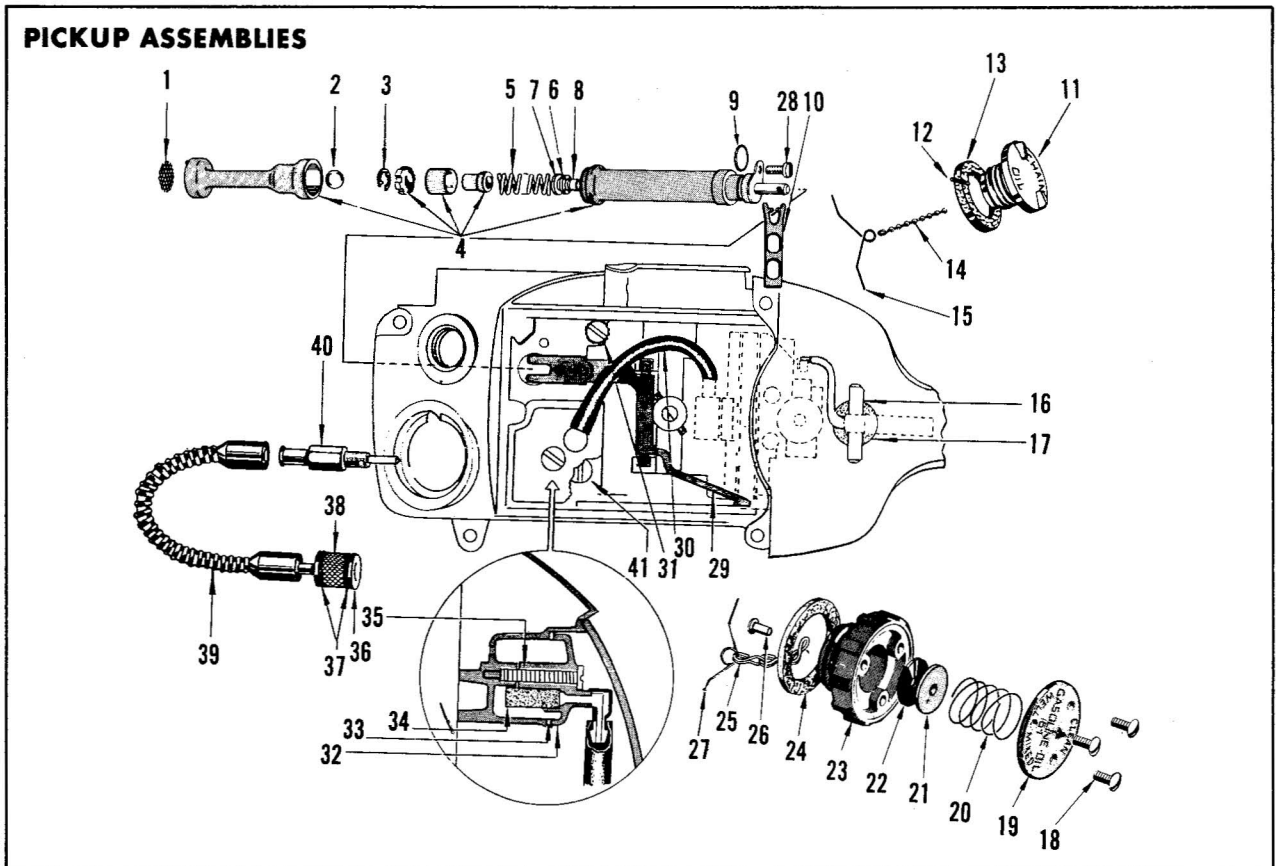
### FUEL PUMP PRIMER PARTS LIST

Ref. No.	Part No.	Description	Qty. Req'd.	Ref. No.	Part No.	Description	Qty. Req'd.
*	470759	Fuel Pump Primer Assembly	1	16	307192	Screw and Lockwasher	4
1	426830	Primer Pump Button	1	*	470728	Inlet Valve Housing Assembly	1
2	426822	Primer Button Spring	1	17	426824	Retaining Clip	1
3	426890	Control Panel	1	18	426825	Disc Valve - Inlet	1
4	426831	Sight Glass 1/2"	1	19	202893	"O" Ring Valve Housing	1
5	426818	Cup-Primer Pump Diaphragm	1	20	†	Inlet Valve Housing	1
6	426815	Diaphragm	1	21	426828	Air Box to Primer Fuel Line	1
7	426926	Washer	1	*	470727	Pick-up Line Assy.	1
8	426821	Screw	1	22	†	Fuel Pick-up Line	1
9	426820	Gasket	1	23	†	Stop-Primer Pick-up Line	1
10	426832	Body-Primer Pump	1	24	426819	Seal-Primer Pick-up Line	1
*	470729	Exit Valve Assembly	1	25	426823	Primer Filter Body	1
11	308528	"O" Ring	1	26	426826	Primer Fuel Filter	1
12	†	Stem Exit Valve	1				
13	†	Exit Valve Spring	1				
14	426843	End Cap Washer	1				
15	†	End Cap - Exit Valve	1				

† Available in Assembly Only

\*Not Shown

## MODEL 450



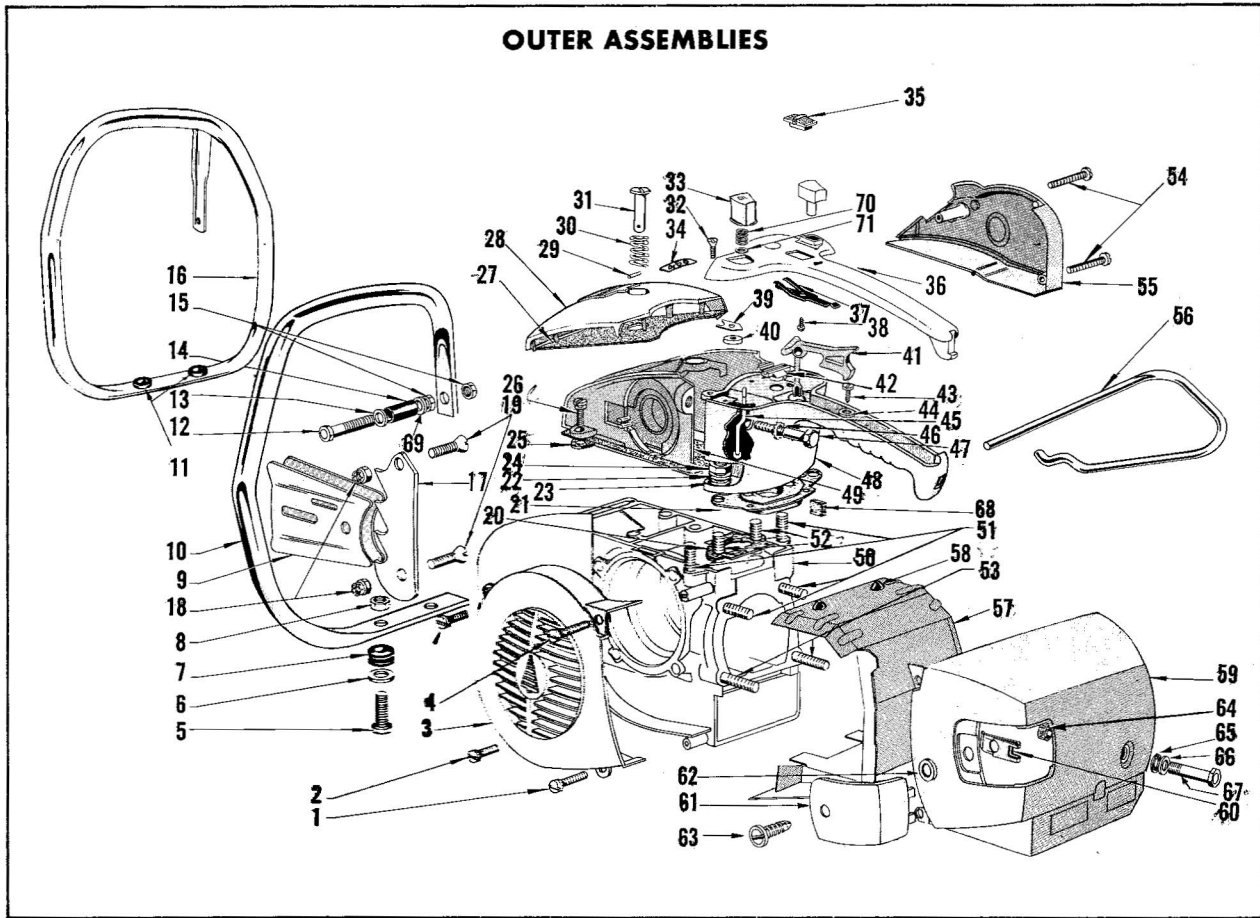
### PICKUP ASSEMBLIES PARTS LIST

Ref. No.	Part No.	Description	Qty. Req'd	Ref. No.	Part No.	Description	Qty. Req'd.
*	470596	Oil Pump Assembly	1	22	426013	. Valve - Gas Cap	1
1	426474	. Gauze - Filter	1	23	425716	. Gas Cap	1
2	426227	. Ball - 9/32 Dia. Steel	1	24	425087	. Gasket - Gas Cap	1
3	202755	. Retaining Ring	1	25	425719	. Chain - Gas Cap	1
4	470638	. Oil Pump Body Assembly	1	26	425029	. Rivet - Lock Spring	1
5	426471	. Spring - Rod - Oil Pump	1	27	425718	. Lock Spring - Gas Cap	1
6	425028	. "O" Ring	1	28	305230	Screw - 10 x 24 x 1/2 - Pan Hd - Sems Pump to Airbox	1
7	300154	. Washer	1	29	470589	Oil Pump Lever Assembly	1
8	426470	. Rod - Oil Pump	1	30	426465	Fuel Line - Carburetor	1
9	303059	. "O" Ring 1	1	31	551705	Screw 1/4 - 20 x 1 Sems Pan Head	1
10	426476	. Clip - Oil Pump	1	32	470672	Filter Cap Assembly (Cap & Elbow)	1
*	470976	Oiler Filler Cap	1	33	426464	Gasket	1
11	427286	. Body	1	34	426563	Felt	1
12	427289	. Pin	1	35	307190	Screw - 1024 x 1-1/4 Pan Head	1
13	425074	. Gasket	1	36	470090	Pickup Head Assembly	1
14	427277	. Bead Chain	1	37	304614	. Retaining Ring	2
15	427288	. Lock Spring	1	38	425317	. Screen - Pickup	1
*	470726	Gas Cap Assembly	1	39	425343	Flex Fuel Pickup Line	1
16	426542	Pivot Pin - Throttle Lever	1	40	426466	Fuel Line Adapter	1
17	426535	Seal - Throttle Trigger	1	41	426751	Screw - Air Box Filter Well to Crankcase	1
18	425633	. Screw	3				
19	426845	. Cover Plate - Gas Cap	1				
20	426844	. Spring - Gas Cap	1				
21	425994	. Valve Plate	1				

\*Not shown

# MODEL 450

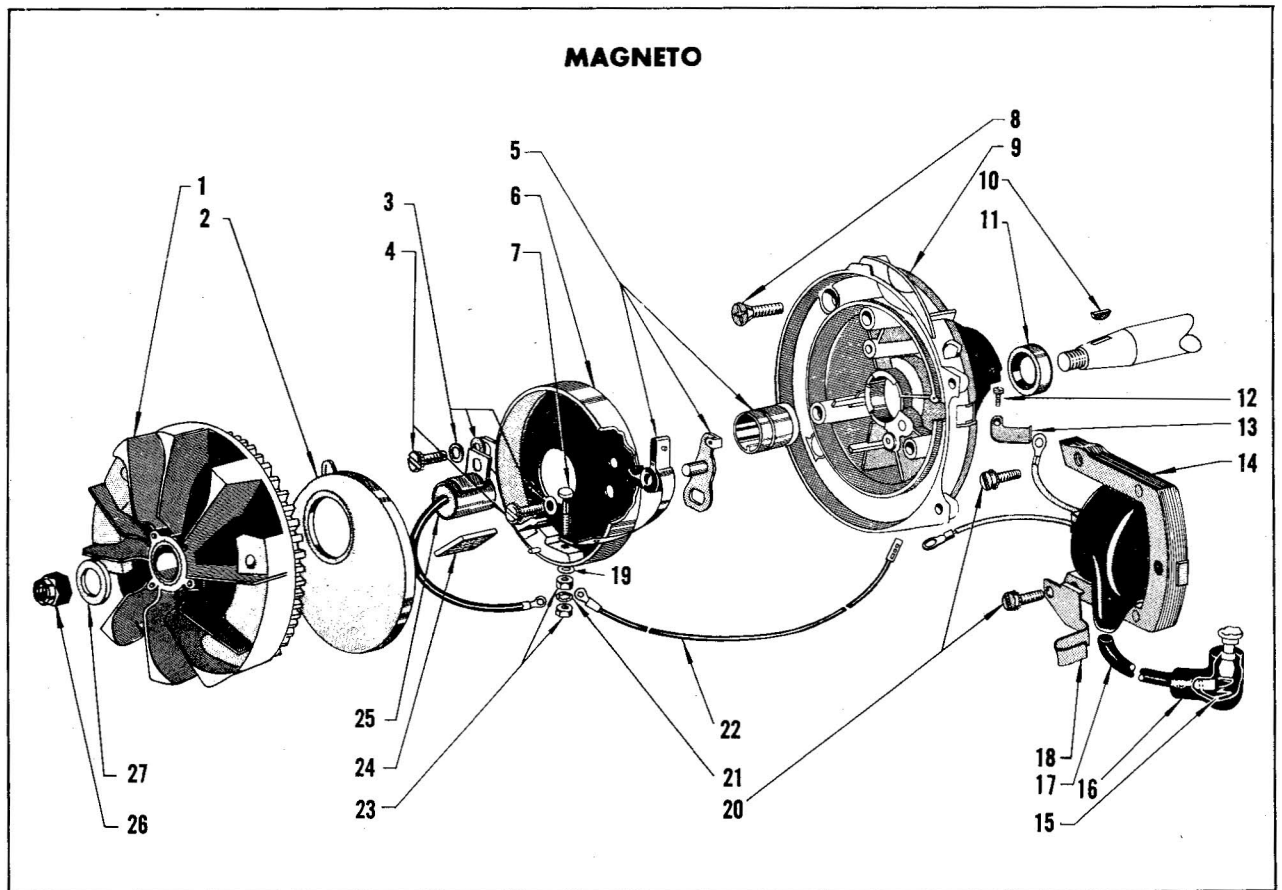
## OUTER ASSEMBLIES



## OUTER ASSEMBLIES PARTS LIST

Ref. No.	Part No.	Description	Qty. Req'd.	Ref. No.	Part No.	Description	Qty. Req'd.	Ref. No.	Part No.	Description	Qty. Req'd.
1	304606	Screw - 10-24 x 3/4 Pan Hd. Sems	1	23	426703	Washer - Insulating	2	49	427563	Front Section - Air Box	1
2	302948	Screw - 10-24 x 5/8 Pan Hd. Sems	2	24	306397	Nut - 1/4 x 28 UNF Plain	2	50	471271	Crankcase Assembly w/studs	1
3	427566	Blower Cover	1	25	426651	Gasket - Air Box Front Section	1	51	426642	. Stud - 2 Cyl. Top - 2 Rear Handle	4
4	305725	Screw - 10 x 24 x 1-3/8 Pan Hd. Sems	1	26	302948	Screw - 10-24 x 5/8 Sems	2	52	426702	. Stud - Carburetor Mounting	2
5	304625	Screw - 1/4 x 28 x 7/8 Hex Head	2	27	426491	Air Filter Element	1	53	425578	. Stud - Cylinder, Bottom	2
6	426549	Washer - Shock Absorber	2	28	426952	. Roll Pin 1/8 x 1/2	1	54	305725	Screw - 1024 x 1-3/8	2
7	307417	Shock Absorber - Lower	2	29	426952	. Spring - Top Cover	1	55	427548	Pulley Cover	1
8	426942	Stake Nut - 1/4 x 28 UNF Standard	2	30	426540	. Fastener Pin	1	56	426661	Foothold Loop	1
9	425674	Guide - Plates	2	31	426951	. Fastener Pin	1	57	470691	Inner Shroud Assembly	1
10	426496	Front Handle	1	32	200608	Screw - 6/32 x 3/8 Flat Head	2	58	426746	. Rubber Bumper	2
11	307417	Shock Absorber - Lower (For Wrap Around Handlebar)	2	33	426487	Button - Oiler	1	59	471266	Cylinder Shroud Assembly	1
12	131054	Screw - 1/4 x 28 x 1-1/4 Hex Head	1	34	427544	Decal	1	60	427581	. Fastener Speed Nut	1
13	302471	Washer	1	35	426488	Button - Ignition Switch	1	61	471269	. Inspection Cover Assembly	1
14	426492	Shock Absorber - Upper	1	36	426890	Control Panel	1	62	427580	. Retaining Washer	1
15	426576	Stake Nut - 1/4 x 28 Thin	2	37	426489	Contact Switch Spring	1	63	304442	. Fastener Screw	1
16	470671	Wrap Around Handle- bar - Optional Extra	1	38	426662	Screw - Self Tapping 6-20 x 3/8	1	64	426749	Spacer - Inner Insulating	1
17	470670	Pivot Grip	1	39	426485	Retainer - Oiler Push Rod Seal	1	65	426703	Washer - Outer Insulating	1
18	425713	. Nut - Flexloc	2	40	426486	Felt Seal - Push Rod	1	66	302474	Washer - Plain	1
19	130491	. Screw - 1/4 x 28 x 7/8 Flat Head	2	41	426534	Trigger Throttle	1	67	302030	Screw - 1/4 x 20 x 1-1/4	1
20	426705	Gasket - Carb. - Lower	1	42	426490	Terminal Block - Switch Lead	1	68	426708	Crankcase Drain Felt	1
21	426780	Insulating Block - Carb.	1	43	426664	Screw - Throttle Trigger Stop	1	69	306407	Washer - Outside Shock Absorber Upper	1
22	303887	Washer - Plain	2	44	426706	Washer - Throttle Trigger Stop	1	70	426307	Spring	1
				45	426484	Push Rod - Oil Pump	1	71	300154	Washer	1
				46	306488	Washer - Sems	2				
				47	304913	Screw - Hex Head	2				
				48	427543	Rear Handle	1				

## MODEL 450



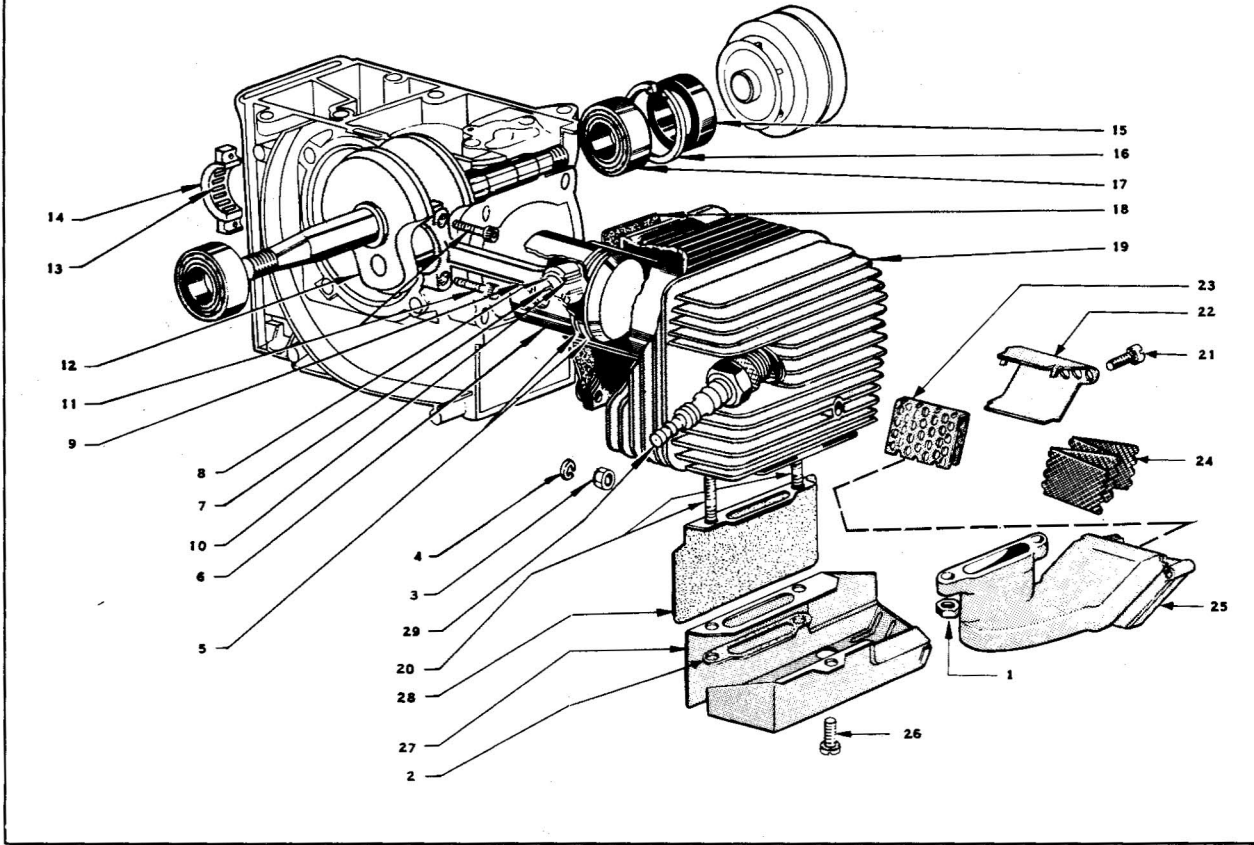
### MAGNETO PARTS LIST

Ref. No.	Part No.	Description	Qty. Req'd.	Ref. No.	Part No.	Description	Qty. Req'd.
1	470604	Flywheel Assembly	1	15	580339	. Rubber Sparky Assy.	1
2	426516	Breaker Housing Cover	1	16	†	. . Sparky Spring	
3	303497	Washer	3	17	426527	. High Tension Lead	1
4	307193	Screw	2	18	426669	High Tension Wire Clip	1
5	470788	Breaker Point Set	1	19	307189	Washer	1
6	426515	Breaker Housing	1	20	510397	Screw	2
7	426522	Terminal Screw	1	21	307247	Washer, Shakeproof	1
8	426567	Screw	4	22	470784	Switch Wire Assembly	1
9	426440	Bearing Housing	1	23	302437	Hex Nut	2
10	425061	Flywheel Woodruff Key	1	24	510189	Oil Wick	1
11	425076	Magneto End Seal	1	25	426528	Condenser	1
12	307192	Screw	1	26	425916	Flexloc Nut, Left Hand	1
13	426508	Lead Clamp	1	27	304671	Washer	1
14	470685	Coil and Lamination Assembly	1				

† Serviced in assembly only

# MODEL 450

## ENGINE



## ENGINE PARTS LIST

Ref. No.	Part No.	Description	Qty. Req'd.	Ref. No.	Part No.	Description	Qty. Req'd.
1	304609	Muffler Nut	2	15	425077	Drive End Seal	1
2	426444	Muffler Gasket	1	16	425067	Retaining Ring	1
3	306397	Cylinder Base Nut	4	17	425066	Main Bearing	2
4	306396	Lockwasher	4	18	426204	Cylinder Base Gasket	1
5	470777	Piston Ring Set	1	19	470592	Cylinder Block	1
6	425640	Piston	1	20	425334	. Exhaust Stud	2
7	425062	Wrist Pin Clip	2	*	470688	Muffler Assembly	1
8	425641	Wrist Pin	1	21	307613	. Screw	2
9	470168	Connecting Rod Assembly, Complete	1	22	426748	. Exhaust Deflector	1
10	425060	. Wrist Pin Bearing	1	23	426741	. Screen Plate	1
11	304610	. Socket Head Screw	2	24	426742	. Screen	1
12	426402	Crankshaft	1	25	426744	. Muffler Body	1
13	470926	Needles (Pkg. of 12)	1	26	303311	Screw	1
14	470927	Bearing Cage, Two Halves	1	27	426743	Muffler Shroud	1
				28	426740	Gasket Shield	1
				29	076152	Spark Plug	1

\*Not Shown