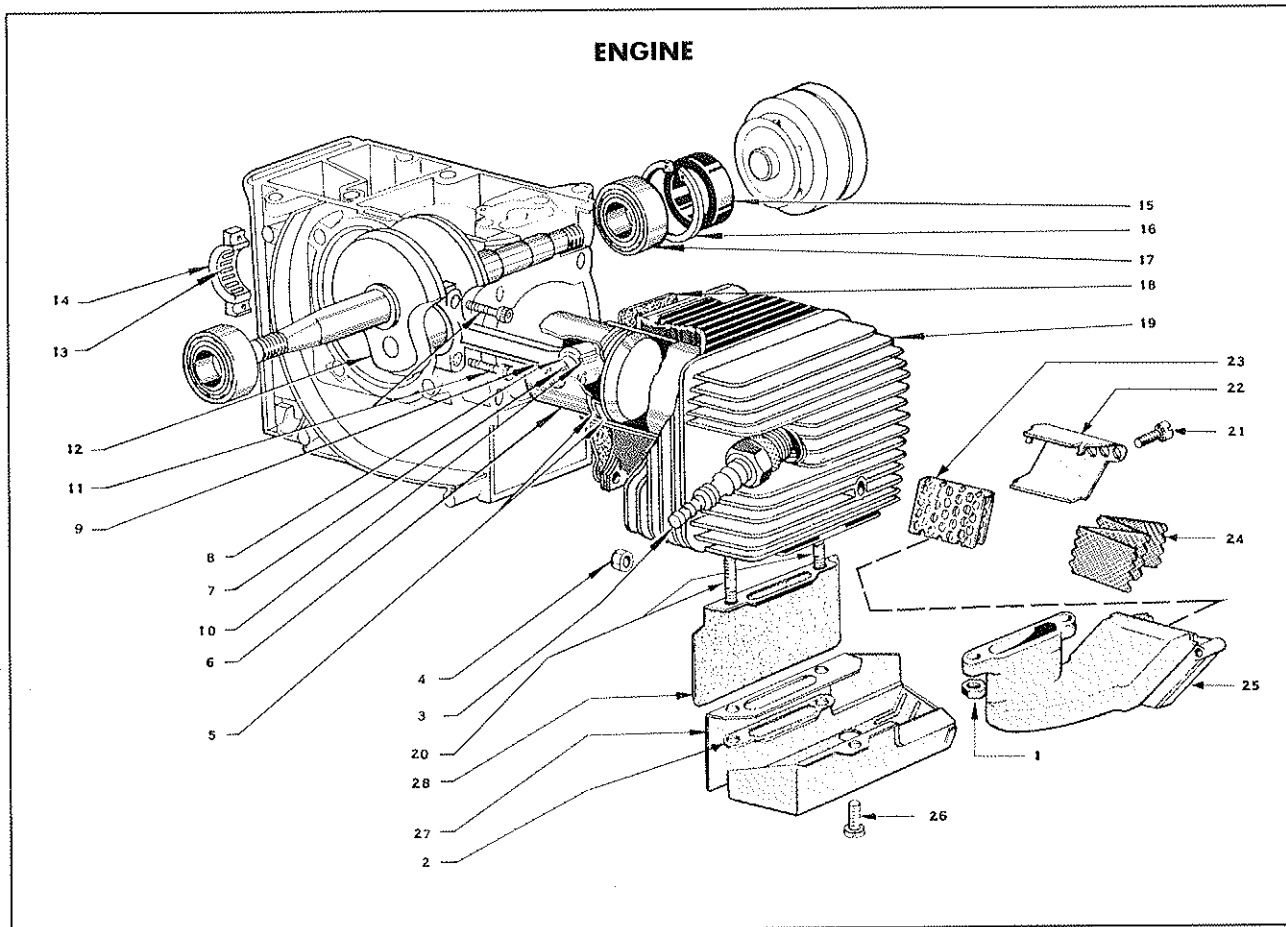


# 400 SERIES MODELS 400, 400A AND 410



## ENGINE PARTS LIST

Ref. No.	Part No.	Description	Qty. Req'd.	Ref. No.	Part No.	Description	Qty. Req'd.
1	304609	Muffler Nut	2	15	425077	Drive End Seal	1
2	426444	Muffler Gasket	1	16	425067	Retaining Ring	1
3	076152	Spark Plug	1	17	425066	Main Bearing	2
4	426734	Cylinder Base Nut	4	18	426453	Cylinder Base Gasket	1
5	425642	Piston Ring	2	19	470592	Cylinder Block	1
6	425640	Piston	1	20	425334	Exhaust Stud	2
7	425062	Wrist Pin Clip	2	*	470688	Muffler Assembly	1
8	425641	Wrist Pin	1	21	307613	Screw	2
9	470168	Connecting Rod Assembly, Complete	1	22	426748	Exhaust Deflector	1
10	425060	Wrist Pin Bearing	1	23	426741	Screen Plate	1
11	304610	Socket Head Screw	2	24	426742	Screen	1
12	426402	Crankshaft	1	25	426744	Muffler Body	1
13	425089	Bearing Needles	12	26	303311	Screw	1
14	470731	Bearing Cage, Two Halves	1	27	426743	Muffler Shroud	1
				28	426740	Gasket Shield	1

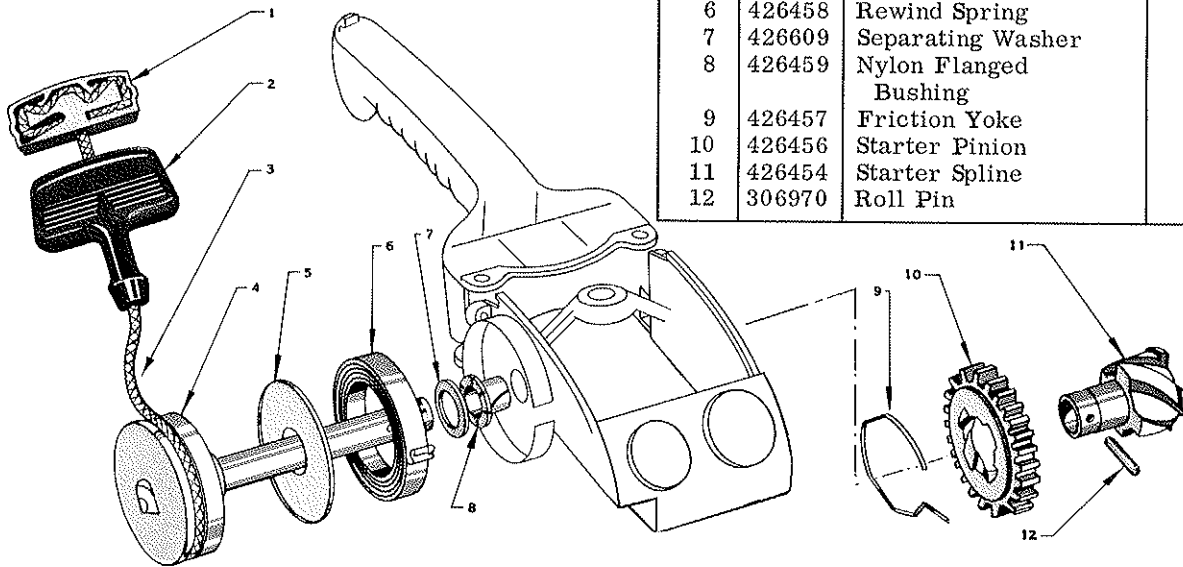
\*Not Shown

# 400 SERIES MODELS 400, 400A AND 410

## STARTER PARTS LIST

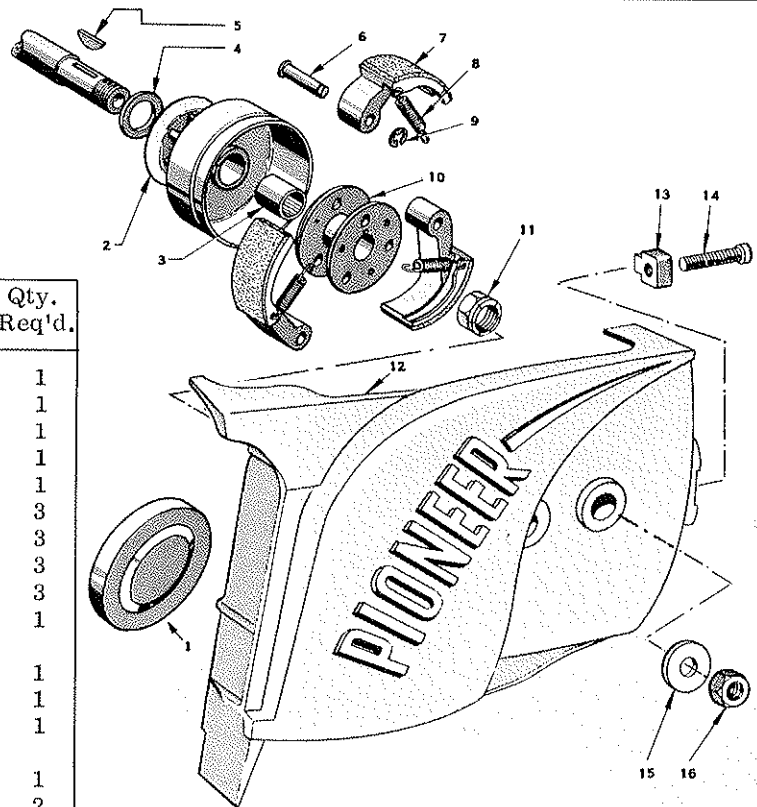
Ref. No.	Part No.	Description	Qty. Req'd.
1	304323	Cord Anchor	1
2	602773	Starter Handle	1
3	426752	Starter Cord	1
4	470588	Starter Pulley	1
5	426524	Rewind Spring Backing Plate	1
6	426458	Rewind Spring	1
7	426609	Separating Washer	1
8	426459	Nylon Flanged Bushing	1
9	426457	Friction Yoke	1
10	426456	Starter Pinion	1
11	426454	Starter Spline	1
12	306970	Roll Pin	1

### STARTER



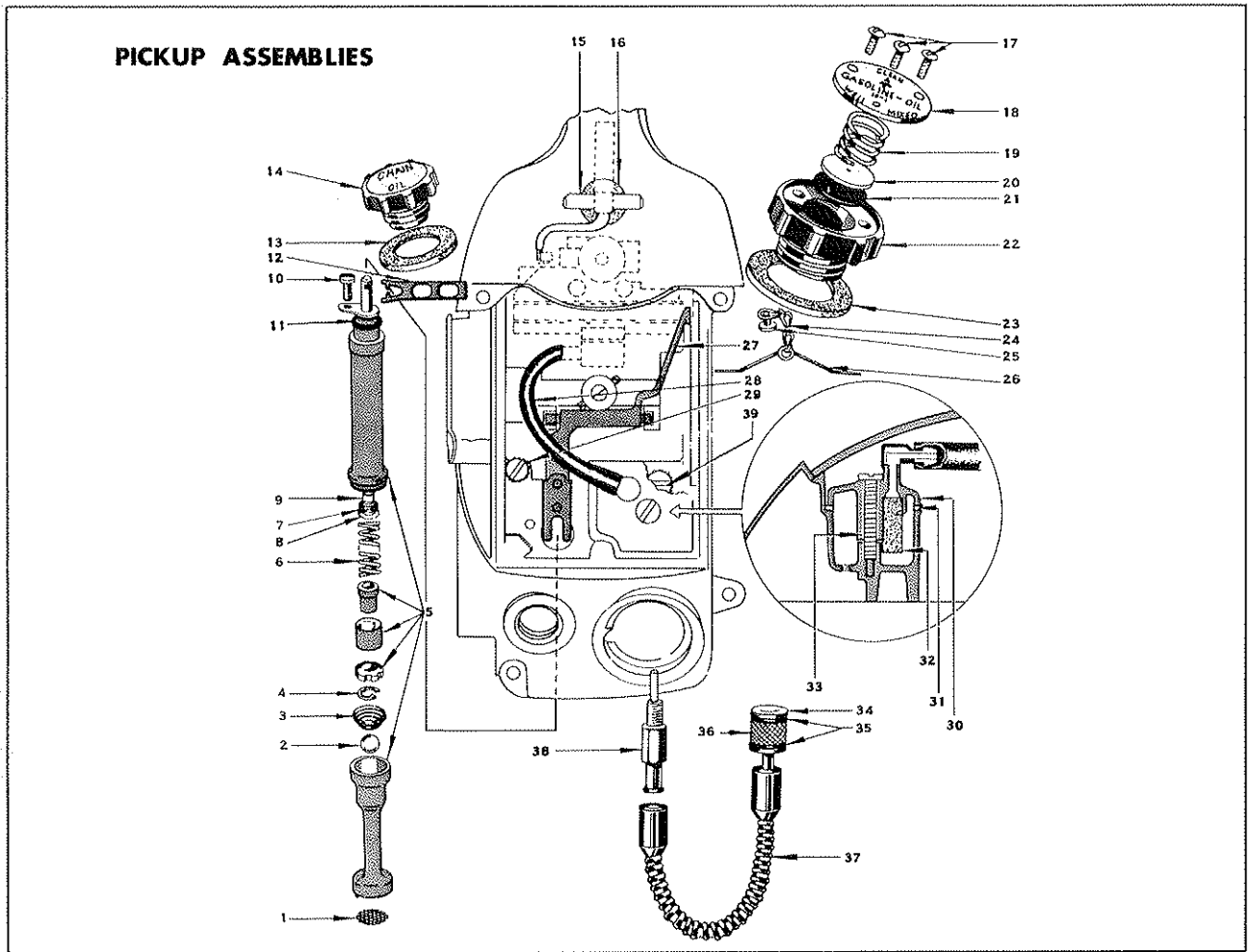
## CLUTCH PARTS LIST

Ref. No.	Part No.	Description	Qty. Req'd.
1	425020	Clutch Cover	1
2	470340	Sprocket Assembly	1
3	425091	Sprocket Bearing	1
4	425015	Inside Sprocket Washer	1
5	425061	Clutch Driver Key	1
6	425019	Clutch Driver Pin	3
7	470667	Clutch Shoe Assembly	3
8	425012	Clutch Driver Spring	3
9	203470	Clutch Driver Clip	3
10	425018	Clutch Driver	1
11	425092	Clutch Driver Nut, Flexloc	1
12	470573	Strut Assembly	1
13	425672	Chain Adjusting Pin	1
14	202190	Chain Adjusting Screw	1
15	425116	Strut Washer	2
16	425031	Strut Nut	2



### CLUTCH

# 400 SERIES MODELS 400, 400A AND 410



## PICKUP ASSEMBLIES PARTS LIST

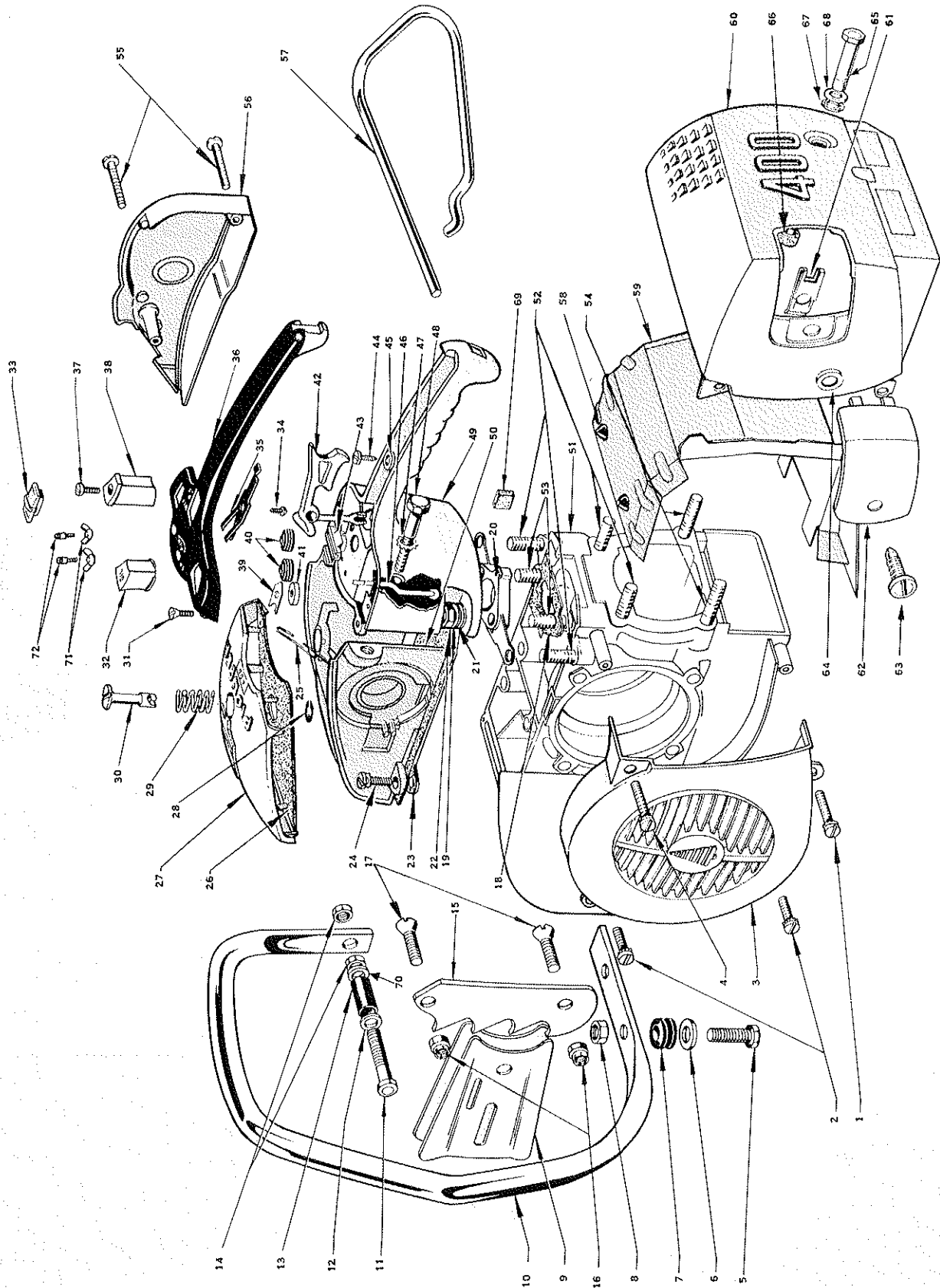
Ref. No.	Part No.	Description	Qty. Req'd.	Ref. No.	Part No.	Description	Qty. Req'd.
*	470596	Oil Pump Assembly	1	18	426845	. Gas Cap Cover Plate	1
1	426474	. Filter Gauze	1	19	426844	. Gas Cap Spring	1
2	426227	. Ball, 9/32 Dia.	1	20	425994	. Valve Plate	1
†3	426472	. Ball Check Spring	1	21	426013	. Gas Cap Valve	1
4	202755	. Retaining Ring	1	22	425716	. Gas Cap	1
5	470638	. Oil Pump Body Assembly	1	23	425087	. Gas Cap Gasket	1
6	426471	. Rod to Oil Pump Spring	1	24	425719	. Gas Cap Chain	1
7	425028	. "O" Ring	1	25	425029	. Lock Spring Rivet	1
8	300154	. Washer	1	26	425718	. Gas Cap Lock Spring	1
9	426470	. Oil Pump Rod	1	27	470589	Oil Pump Lever Assembly	1
10	305230	. Pump to Airbox Screw	1	28	426465	Carburetor Fuel Line	1
11	303059	. "O" Ring	1	29	551705	Screw	1
12	426476	. Oil Pump Clip	1	30	470672	Filter Cap Assembly, Cap and Elbow	1
13	425074	Oiler Filler Cap Gasket	1	31	426464	Gasket	1
14	470360	Oiler Filler Cap Assembly	1	32	426563	Felt	1
15	426542	Throttle Lever Pivot Pin	1	33	307190	Screw	1
16	426535	Throttle Trigger Seal	1	34	470090	Pickup Head Assembly	1
*	470726	Gas Cap Assembly	1	35	304614	. Retaining Ring	2
17	425633	. Screw	3	36	425317	. Pickup Screen	1
				37	425343	Flex Fuel Pickup Line	1
				38	426466	Fuel Line Adapter	1
				39	426751	Screw	1

\*Not Shown

†Oil pump assembly modified and this part deleted beginning with Model 410 Serial No. 97445.

# 400 SERIES MODELS 400, 400A AND 410

## OUTER ASSEMBLIES



## 400 SERIES MODELS 400, 400A AND 410

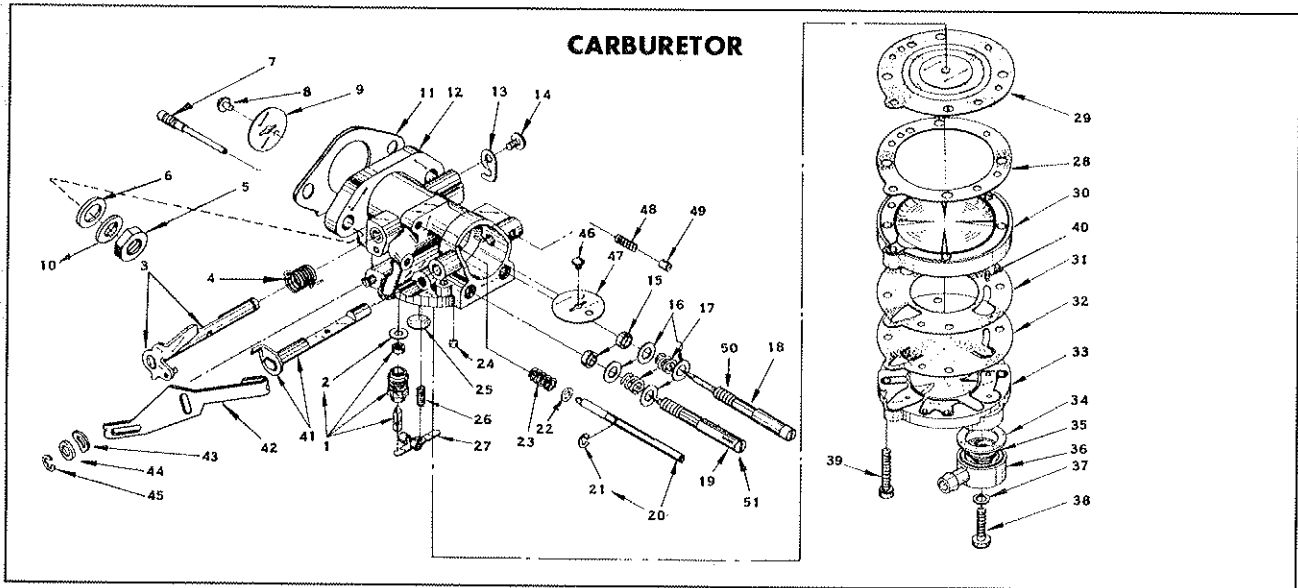
### OUTER ASSEMBLIES PARTS LISTS

Ref. No.	Part No.	Description	Qty. Req'd.	Ref. No.	Part No.	Description	Qty. Req'd.	Ref. No.	Part No.	Description	Qty. Req'd.
1	304606	Screw	1	28	426572	"E" Retaining Ring	1	50	426654	Air Box Front Section	1
2	302948	Screw	2	29	426540	Top Cover Spring	1	51	470564	Crankcase Assembly	1
3	426425	Blower Cover	1	30	426541	Dzus Fastener Head	1	52	426642	Stud, Two Cylinders and Two Rear Handles	4
4	305725	Screw	1	31	200608	Screw	2				
5	304625	Screw	2	32	426487	Oilier Button	1	53	426702	Carburetor Mounting Stud	2
6	426549	Shock Absorber Washer	2	*	†	Control Panel Assembly	1	54	426635	Stud, Cylinder Bottom	2
7	307417	Shock Absorber, Lower	2	33	426488	Ignition Switch Button	1	55	305725	Screw	2
8	426575	Stake Nut	2	34	426662	Screw	1	56	426445	Pulley Cover	1
9	425674	Guide Plate	2	35	426489	Contact Switch Spring	1	57	426661	Foothold Loop	1
10	426496	Front Handle	1	36	†	Control Panel	1	*	470691	Inner Shroud Assembly	1
11	131054	Screw	1	37	†	Screw	1	58	426746	Bumper	2
12	302471	Washer	1	38	†	Choke Rod Knob	1	59	426745	Inner Shroud	1
13	426492	Shock Absorber	1	39	426485	Oilier Push Rod Seal	1	60	470611	Cylinder Shroud Assembly	2
14	426576	Stake Nut	2	40	426483	Retainer	1	61	426547	Speed Nut Fastener	1
15	470670	Pivot Grip Assembly	1	41	426486	Carburetor Mixture Control Rod Seal	2	62	470616	Inspection Cover Assembly	1
16	426498	Pivot Grip	1	42	426534	Push Rod Felt Seal	1	63	426545	Fastener Screw	1
17	425713	Pivot Grip Nut	2	43	426490	Throttle Trigger	1	64	426546	Retaining Washer	1
18	130491	Pivot Grip Screw	2	44	426664	Switch Lead Terminal Block	1	65	302930	Screw	1
19	426705	Gasket	2	45	426706	Throttle Trigger Stop Screw	1	66	426749	Spacer	1
20	303887	Washer	1	46	426484	Oil Pump Push Rod Washer	1	67	426703	Insulating Washer	1
21	426780	Insulating Block	2	47	306488	Oil Pump Push Rod Washer	2	68	302474	Washer	1
22	426703	Insulating Washer	2	48	304913	Bolt	1	69	426708	Crankcase Diaphragm	1
23	306397	Nut	2	49	426655	Air Box Rear Section	1	70	306407	Felt	1
24	426651	Air Box Front Section	1					71	†	Mixture Control Knob	2
25	302948	Gasket	2					72	†	Knob Screw	2
26	426548	Screw	2								
27	426491	Dzus Fastener Clip	1								
28	426491	Air Filter Element	1								
29	470586	Top Cover Assembly	1								

\*Not Shown

†Original equipment on Models 400 and 400A, not available for service replacement. For conversion parts see Fuel Pump Primer Parts List Page 53.

# 400 SERIES MODELS 400, 400A AND 410



## CARBURETOR PARTS LIST

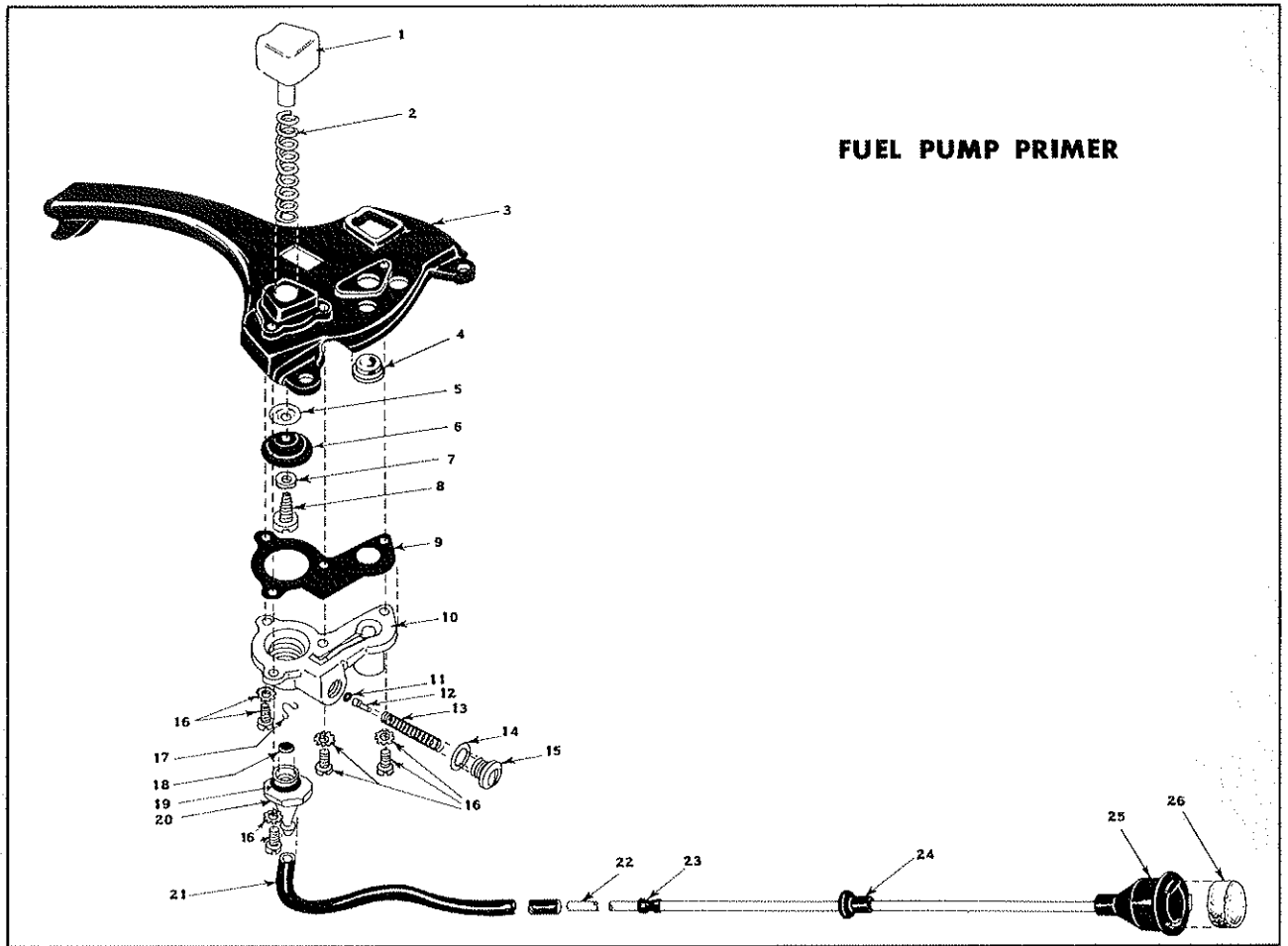
Ref. No.	Part No.	Description	Qty. Req'd.	Ref. No.	Part No.	Description	Qty. Req'd.
*	470732	Carburetor Assembly, Complete	1	**25	426593	. Welch Plug	1
**1	470644	. Inlet Needle and Seat Assembly	1	**26	426594	. Diaphragm Lever Tension Spring	1
2	426606	. . Inlet Seat Gasket	1	**27	426595	. Diaphragm Lever	1
3	470642	. Throttle Shaft and Lever Assembly	1	28	426596	. Diaphragm Cover Gasket	1
**4	426607	. Throttle Return Spring	1	29	470645	. Diaphragm Assembly	1
5	306397	. Nut 1/4-28	2	30	426597	. Diaphragm Cover	1
6	426703	. Washer, Insulating	2	31	426598	. Fuel Pump Body Gasket	1
**7	470641	. Fulcrum Pin Assy.	1	32	426599	. Fuel Pump Diaphragm	1
8	426578	. Shutter Screw	1	33	426600	. Fuel Pump Body	1
9	426579	. Throttle Shutter	1	34	426601	. Fuel Inlet Connection Gasket	1
10	303887	. Washer	2	**35	426628	. Filter Screen	1
11	425046	. Gasket, Carburetor	1	36	426602	. Fuel Inlet Connection	1
12	470647	. Carburetor Body, Service	1	37	426603	. Fiber Washer	1
**13	426580	. Throttle Shaft Clip	1	38	426604	. Fuel Connection Screw	1
**14	426581	. Throttle Clip Screw	1	39	426605	. Body Screw	4
15	426585	. Square Ring	2	**40	426880	. Fuel Pump Diaphragm Spring	2
**16	426586	. Adjustment Packing Washer	4	41	†	Choke Shaft and Lever Assembly	
**17	426587	. Adjustment Compression Spring	2	42	†	Choke Arm	
**18	426789	. Main Mixture Adj. (Screw Driver Slot)	1	43	†	Bow Washer	
**19	426790	. Idle Mixture Adj. (Screw Driver Slot)	1	44	†	Washer	
**20	470646	. Idle Speed Screw and Retaining Ring Assy.	1	45	†	Retaining Ring Truarc	
21	426590	. . Idle Speed Screw Retaining Ring	1	46	†	Shutter Screw	
22	426728	. Idle Speed Screw Washer	1	47	†	Choke Shutter	
23	426591	. Idle Speed Spring	1	48	†	Choke Friction Spring	
**24	426592	. Restriction Cup	1	49	†	Friction Plunger	
				50	†	Main Mixture Adj. (Splined for Mixture Control Knob)	
				51	†	Idle Mixture Adj. (Splined for Mixture Control Knob)	

† Original equipment on Models 400 and 400A, not available for service replacement. These parts are not required after conversion to Carburetor Assembly Part No. 470732 and Fuel Pump Primer Assembly Part No. 470735.

\*Not Shown

\*\*Included in Carburetor Repair Kit 470640, Also Includes Carburetor Gasket Kit 470639.

# 400 SERIES MODELS 410 AND MODIFIED 400 AND 400A



**FUEL PUMP PRIMER**

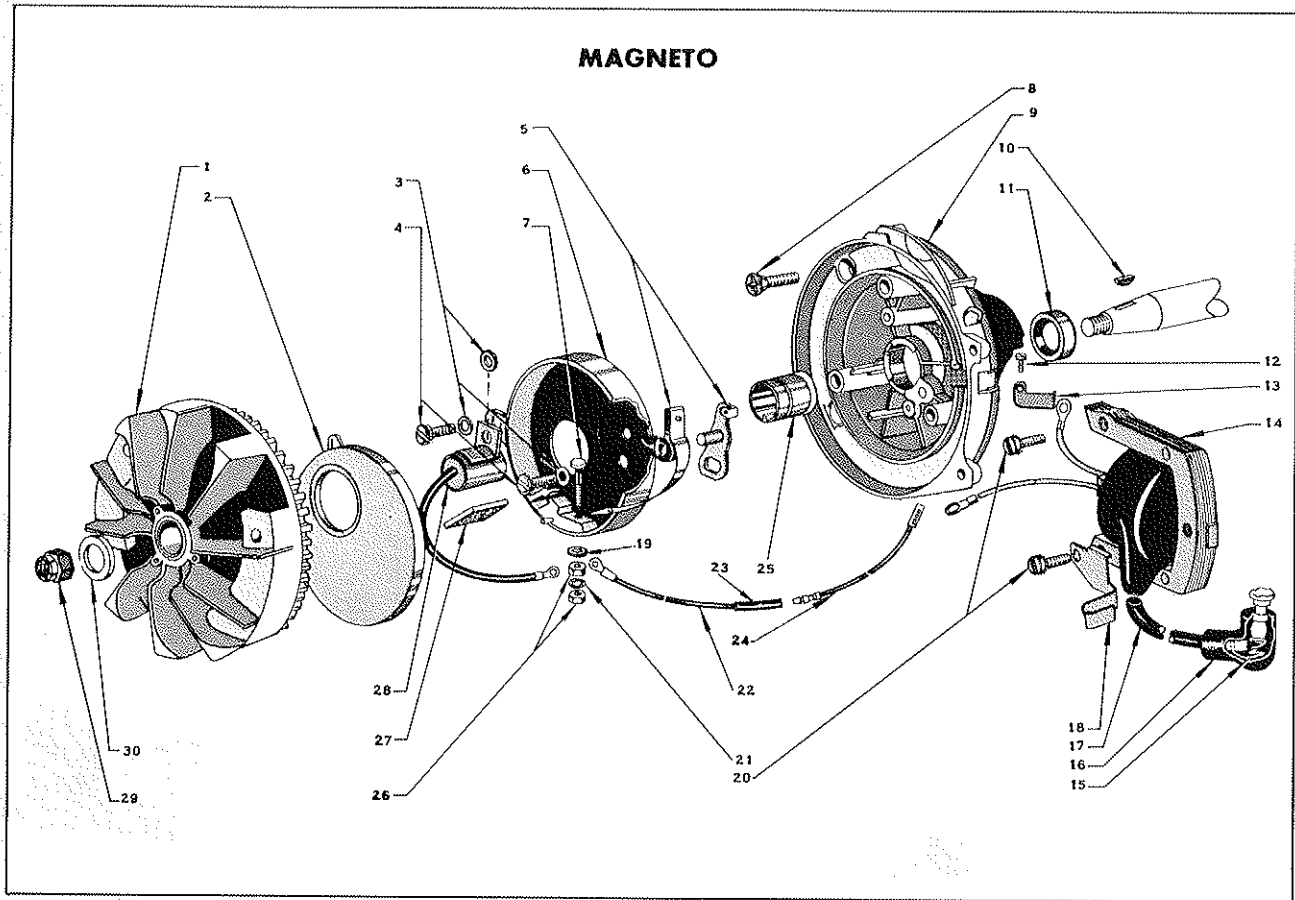
## FUEL PUMP PRIMER PARTS LIST

Ref. No.	Part No.	Description	Qty. Req'd.	Ref. No.	Part No.	Description	Qty. Req'd.
*	470735	Fuel Pump Primer Assembly	1	16	307192	Screw and Lockwasher	4
1	426830	Primer Pump Button	1	*	470728	Inlet Valve Housing Assembly	1
2	426822	Primer Button Spring	1	17	426824	Retaining Clip	1
3	426834	Control Panel	1	18	426825	Disc Valve - Inlet	1
4	426831	Sight Glass 1/2"	1	19	202893	"O" Ring Valve Housing	1
5	426818	Cup-Primer Pump Diaphragm	1	20	†	Inlet Valve Housing	1
6	426815	Diaphragm	1	21	426828	Air Box to Primer Fuel Line	1
7	306523	Washer	1	*	470727	Pick-up Line Assy.	1
8	426821	Screw	1	22	†	Fuel Pick-up Line	1
9	426820	Gasket	1	23	†	Stop-Primer Pick-up Line	1
10	426832	Body-Primer Pump	1	24	426819	Seal-Primer Pick-up Line	1
*	470729	Exit Valve Assembly	1	25	426823	Primer Filter Body	1
11	305862	"O" Ring	1	26	426826	Primer Fuel Filter	1
12	†	Stem Exit Valve	1				
13	†	Exit Valve Spring	1				
14	426843	End Cap Washer	1				
15	†	End Cap - Exit Valve	1				

† Available in Assembly Only

\*Not Shown

# 400 SERIES MODELS 400, 400A AND 410



### MAGNETO PARTS LIST

Ref. No.	Part No.	Description	Qty. Req'd.	Ref. No.	Part No.	Description	Qty. Req'd.
1	470604	Flywheel Assembly	1	17	426527	. High Tension Lead	1
2	426516	Breaker Housing Cover	1	18	426669	High Tension Wire Clip	1
3	303497	Washer	3	19	307189	Washer	1
4	307193	Screw	2	20	510397	Screw	2
5	470607	Breaker Point Set	1	21	307247	Washer, Shakeproof	1
6	426515	Breaker Housing	1	22	470666	Switch Wire Assembly, Magneto End	1
7	426522	Terminal Screw	1	23	426660	. Insulation Sleeve	1
8	426567	Screw	4	24	470665	Switch Wire Assembly, Switch End	1
9	426440	Bearing Housing	1	25	426514	Cam	1
10	425061	Flywheel Woodruff Key	1	26	302437	Hex Nut	2
11	425076	Magneto End Seal	1	27	510189	Oil Wick	1
12	307192	Screw	1	28	426528	Condenser	1
13	426508	Lead Clamp	1	29	425916	Flexloc Nut, Left Hand	1
14	470685	Coil and Lamination Assembly	1	30	304671	Washer	1
15	580339	. Rubber Sparky Assy.	1				
16	†	. . Sparky Spring					

† Serviced in assembly only