

25 CENTS



**PIONEER**

**CHAIN SAWS**

**ILLUSTRATED  
PARTS  
CATALOGUE**

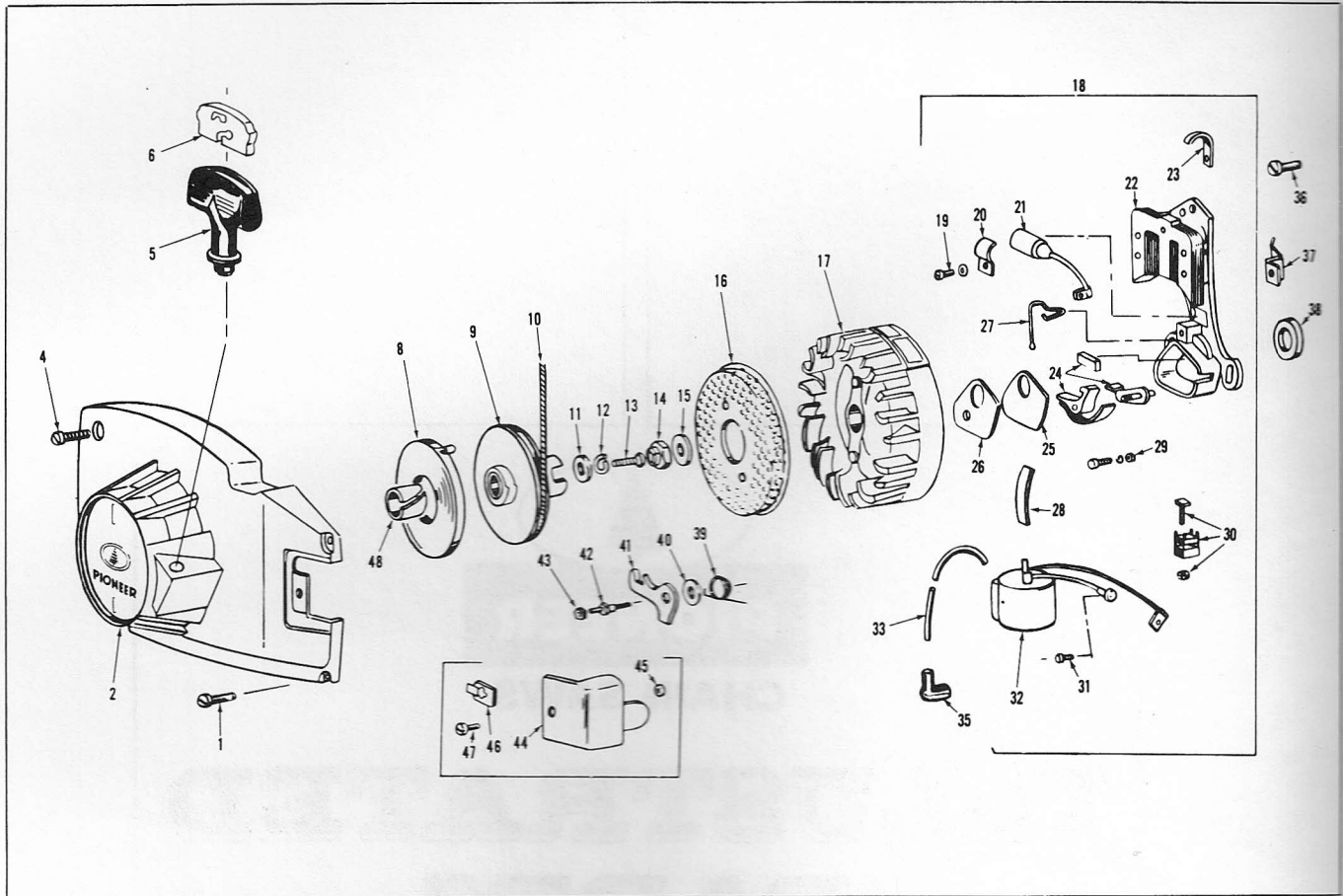
PIONEER SAWS, PETERBOROUGH, ONTARIO, CANADA;  
LINCOLN, NEBRASKA, U.S.A.

LITHO U.S.A.

**MODELS  
3200 AND 3270**

PART NO. 430063 11-72

## MODELS 3200/3270



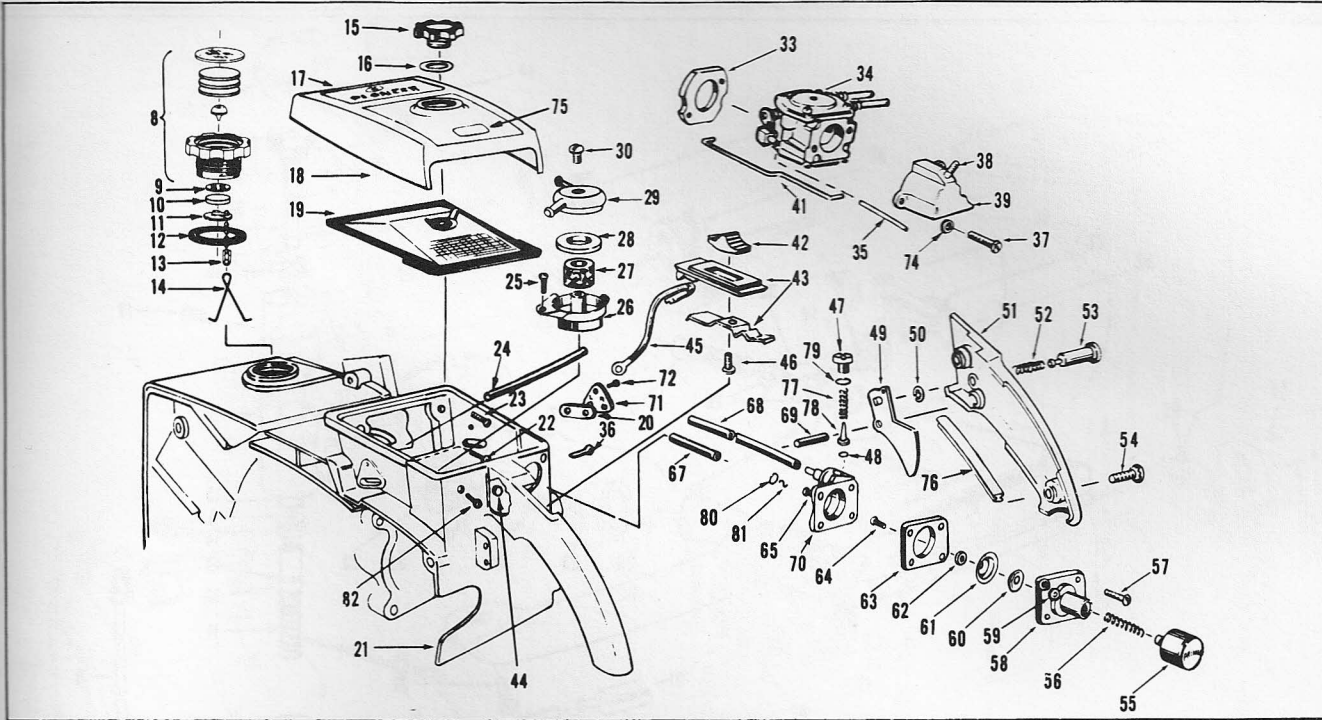
### STARTER & MAGNETO PARTS LIST

REF. NO.	PART NO.	NAME OF PART	QTY. PER ASSY.	REF. NO.	PART NO.	NAME OF PART	QTY. PER ASSY.
1	510397	Screw - Blower Cover	3	26	429524	x Cover - Breaker Box	1
2	473138	Blower Cover Assy.	1	27	425698	x Spring - Breaker Box	1
4	311834	Screw - Blower cover to fuel tank	1	28	427748	x Coil Wedge Spring	1
5	427370	Starter Handle	1	29	471366	x Fixed Contact Screw Assy.	1
6	304323	Anchor	1	30	471364	x Terminal Connection Unit	1
8	471588	Starter Spring	1	31	427749	x Coil Ground Screw	1
9	471371	Starter Pulley Assy.	1	32	471365	x Coil Assy.	1
10	426752	Starter Cord	1	33	427926	High Tension Wire	1
11	428105	Washer	1	35	580339	Sparky Assembly	1
12	306398	Washer	1	36	304605	Screw - Stator to Fuel Tank	3
13	551725	Screw - Pulley to shaft	1	37	427867	Clip - High Tension Lead	2
14	427826	Locknut (L.H. Flywheel)	1	38	427917	Magneto Felt	1
15	306405	Washer	1	39	427764	Spring - Starter Pawl	2
16	428092	Rotating Screen	1	40	202150	Washer - Pivot to flywheel	2
17	473399	Flywheel Assy.	1	41	427765	Starter Pawl	2
18	471590	Stator Assy.(incl.pets.mkd. x)	1	42	427763	Pivot	2
19	425948	x Clamp Screw Assy.	1	43	427914	Nut - Screen to pivot	2
20	427754	x Condensor Clamp	1	44	473140	Inspect Cvr. Assy.(incl.pts.mkd.▲)	1
21	471354	x Condensor Assy.	1	45	427968	▲ Washer - inspect. cover	1
22	427752	x Stator Plate & Core	1	46	428445	▲ Speed Nut	1
23	428106	x Clip	1	47	308762	▲ Screw	1
24	471500	x Breaker Point Set with Felt	1	48	428444	Bearing Liner - Nylon	1
25	429849	x Gasket - Breaker Box	1				

**NOTE**

Model 3270 Preceding Serial #618604 and Model 3200 Preceding Serial #624104 Use (#17) 471362 Flywheel Assy.; (#25) 429076 Gasket - Breaker Box; (#26) 427756 Cover - Breaker Box.

# MODEL S 3200/3270



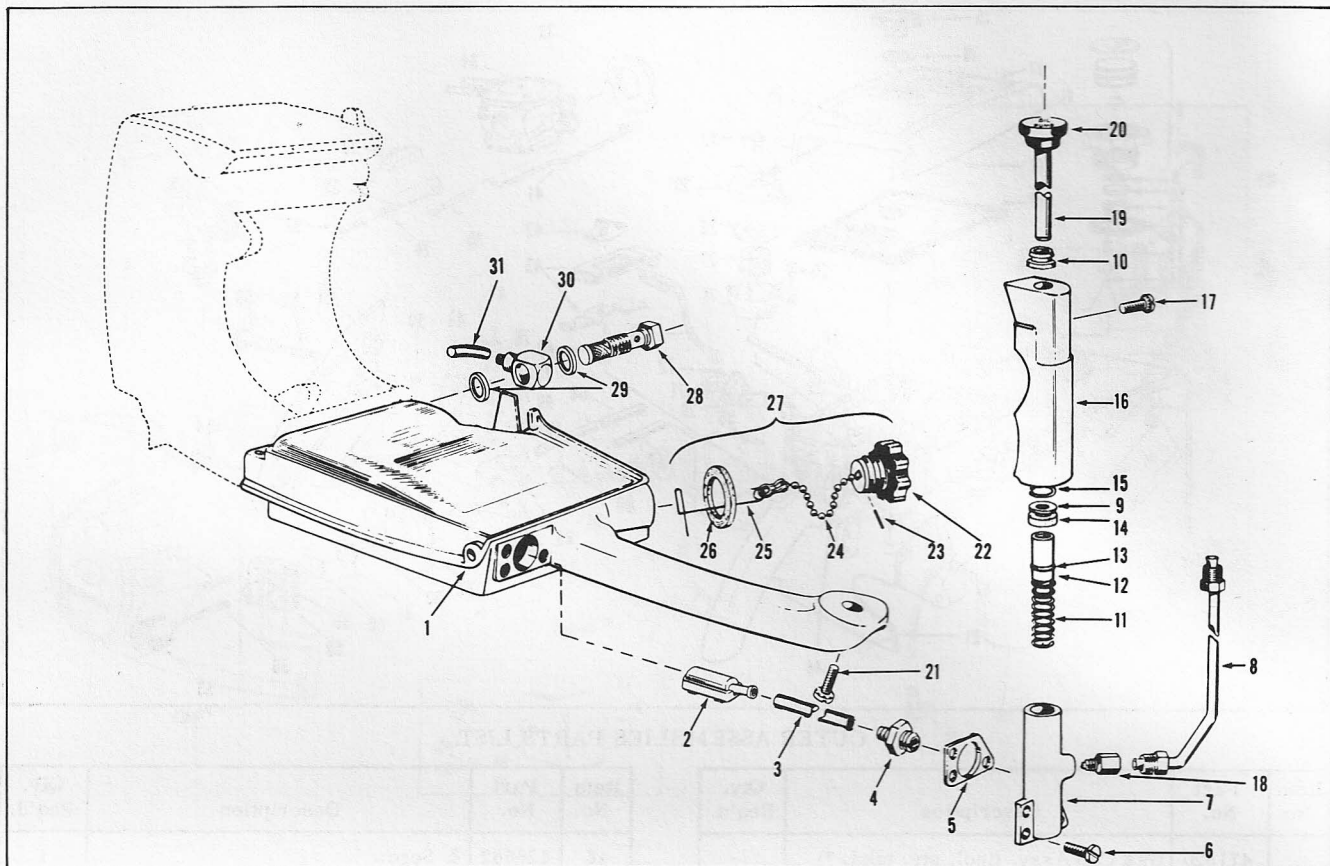
## OUTER ASSEMBLIES PARTS LIST

Item No.	Part No.	Description	Qty. Req'd.
8	471820	Gas Cap Assy. (incl. pts. mkd. *)	
	471821	* Gas Cap Body Assy.	1
9	428600	* Filter Cover	1
10	427994	* Filter Disc.	1
11	427278	* Cover	1
12	425087	* Gasket	1
13	427277	* Bead Chain	1
14	427213	* Lock Spring	1
15	471357	Knob Assy.	1
16	427726	Retaining Ring	1
17	429187	Decal - 3200	1
	429192	Decal - 3270	1
18	429185	Air Filter Cover	1
19	428728	Air Filter Element	1
20	428204	Grommet	1
21	429184	Rear Handle (& Air Box)	1
22	304852	Screw (Rear Handle to C'case)	1
23	304606	Screw (Rear Handle to C'case)	3
24	427862	Fuel Hose (Tank to Filter)	1
25	305230	Screw (Bowl to Air Box)	1
26	471917	Fuel Filter Bowl Assy.	1
27	428010	Felt	1
28	427369	Gasket	1
29	472364	Cover	1
30	307506	Screw	1
33	427888	Gasket	1
34	473452	Carburetor	1
35	428350	Fuel Hose (Filter to Carb.)	1
36	306370	Cotter Pin	1
37	427785	Screw (Carb. to Reed Body)	2
38	428081	● Stud (Blow Back Tube)	1
39	471571	Blowback Tube Assy. (Includes parts marked ●)	1
41	428351	Throttle Link	1
42	427128	& Switch Button	1
43	471699	Switch Assy. (incl. pts. mkd. &)	1
44	428352	Grommet	1
45	471422	Switch Wire Assy.	1

Item No.	Part No.	Description	Qty. Req'd.
46	426662	& Screw	1
47	429128	+ End Cap	1
48	308528	+ "O" Ring - Exit Valve	2
49	427696	Throttle Trigger	1
50	309623	Retainer Clip	1
51	429183	Rear Handle Cover	1
52	428171	Spring - Throttle Lock	1
53	427815	Pin - Throttle Lock	1
54	307613	Screw - Cover to rear handle	2
o	471421	Primer Assembly Complete	
55	427712	+ Button	1
56	427800	+ Spring - Primer Button	1
57	311835	Screw - Primer to rear handle	2
58	427860	+ Cover - Primer Pump	1
59	302437	+ Nut - Primer Body to Cover	2
60	426818	+ Cup	1
61	426815	+ Diaphragm	1
62	426926	+ Cup Washer	1
63	427715	+ Gasket	1
64	426821	+ Screw	1
65	312475	+ Screw Body to Cover	2
67	429451	Fuel Hose - Primer Intake	1
68	428013	Fuel Hose - Primer to C'case	1
69	308016	Roll Pin - Rear Handle	1
70	472310	Primer Body & Fitting Assy.	1
71	428344	Grommet Retainer	1
72	312811	Screw Carb. Grommet	1
74	120052	Washer	2
75	429187	Decal (3200)	1
	429192	Decal (3270)	1
76	429161	Cushion	1
77	426837	+ Spring	1
78	426835	+ Stem	1
79	429453	+ Washer	1
80	426825	+ "O" Ring	1
81	426824	+ Clip	1
82	428929	Idle Adjustment Screw	1

o Not Shown

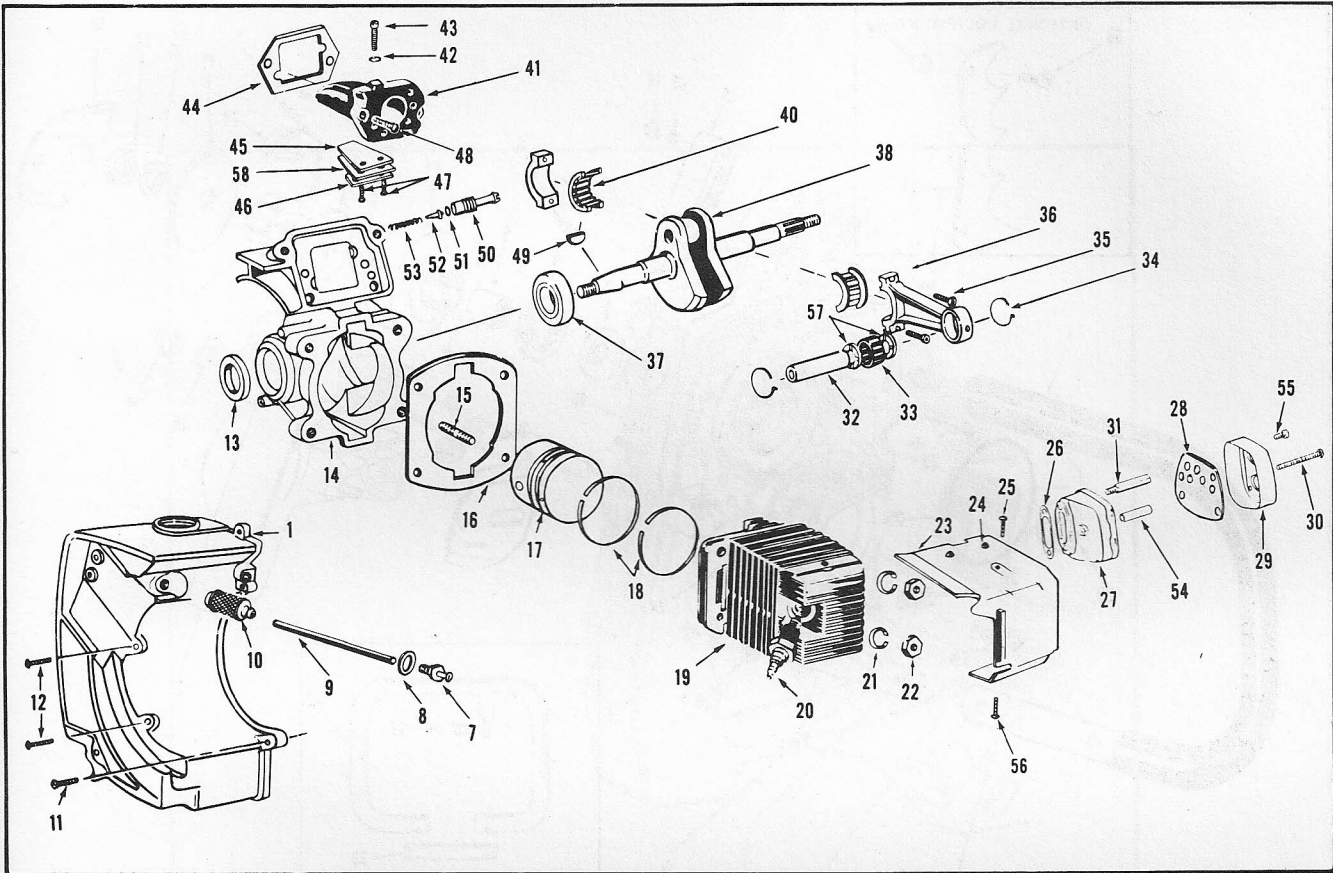
## models 3200/3270



### PICK-UP ASSEMBLIES PARTS LIST

REF. NO.	PART NO.	NAME OF PART	QTY. PER ASSY.	REF. NO.	PART NO.	NAME OF PART	QTY. PER ASSY.
1	471649	Oil Tank Assy. (3200)	1			(Includes Parts Marked *)	
	471650	Oil Tank Assy. (3270)	1	16	427873	Oil Pump Cover Assy.	1
2	471709	* Oiler Pick-Up Assembly	1	17	307193	Screw - Cover to Air Box	2
3	428337	* Hose - Oil Pick-Up	1	18	471478	* Outlet Valve Assy.	1
4	471477	* - Inlet Valve Assy.	1	19	429417	Push Rod	1
5	427861	Gasket	1	20	427704	Button - Push Rod	1
6	307613	Screw - Oil Pump to Tank	3	21	302948	Screw - Oil Tank to R. Handle	1
7	427876	* Oil Pump Body	1	22	427688	x Cap - Oil Filler	1
8	471654	Oil Line - Man. Pump to Bar (3270)	1	23	427289	x Pin	1
	471529	Oil Line - Man. Pump to Bar (3200)	1	24	427690	x Bead Chain	1
9	428647	* Washer	1	25	427976	x Retaining Hook	1
10	427874	* Bushing - Pump Cover	1	26	427689	x Gasket	1
11	427925	* Spring - Oil Pump	1	27	471511	Oil Filler Cap Assy.(inclpts.mkdx)	1
12	427098	* Plunger - Oil Pump	1	28	471606	Oil Pick-Up Head Assy.(3270 only)	1
13	428906	* "O" Ring - Oil Pump	1	29	307554	Gasket (3270 only)	2
14	427367	Washer	1	30	429134	Banjo Fitting (3270 only)	1
15	202755	Clip - Plunger Rod	1				
	473343	Oil Pump Assy. Complete		31	427717	Hose (3270 only)	1

# MODELS 3200/3270



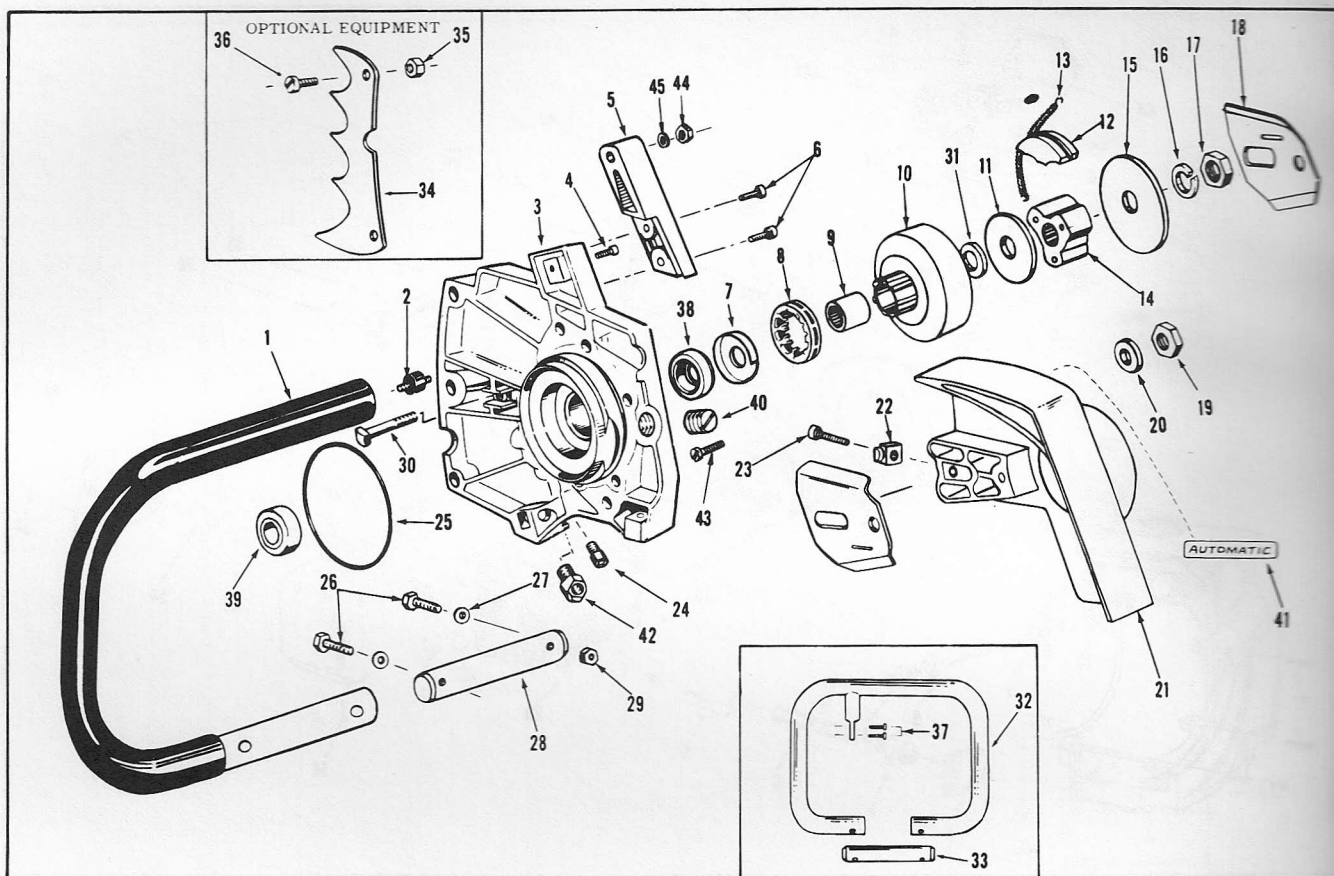
## ENGINE PARTS LIST

REF. NO.	PART NO.	NAME OF PART	QTY. PER ASSY.	REF. NO.	PART NO.	NAME OF PART	QTY. PER ASSY.
1	473147	Fuel Tank Assy.	1	31	428169	Stud - Muffler to Cylinder	2
7	427856	Connector	1	32	428367	Wrist Pin	1
8	427855	Gasket	1	33	429526	*Wrist Pin Bearing	1
9	427857	Hose (Fuel Pickup)	1	34	428781	Retainer Wrist Pin	2
10	470193	Pickup Head Assy.	1	35	428826	*Cap Screw - Con Rod	2
11	302948	Screw	6	36	473689	Conn.Rod Assy.(incl.pts.mkd. *)	1
		4 Fuel Tank to Brg. Carrier		37	427849	Main Bearing (3200-2/3270-1)	
		1 Oil Tank to Fuel Tank		38	429479	Crankshaft (3200)	1
		1 Oil Tank to Brg. Carrier			429480	Crankshaft (3270)	1
12	551706	Screw - Fuel Tank to C'case	2	40	472365	Brg. Cage Assy. c/w needles	1
13	427656	Seal - Crankshaft	1	41	472240	Reed Valve Assy. (incl.pts.mkd. †)	1
14	473181	Crankcase Assy. (incl.pts.mkd. x)	1	42	304598	† "O" Ring	1
15	426642	x Stud - C'case to Cylinder	4	43	428930	† Injectaire Plug	1
16	429429	Gasket	1	44	427885	Gasket (Reed Valve to C'case)	1
17	471901	Piston & Dowel Pin Assy.	1	45	428336	† Reed	1
18	471736	Piston Ring Set	1	46	428127	† Retainer (Reed Valve)	1
19	471729	Cylinder Assy.	1	47	428335	† Screw (Reed to Body)	2
20	428006	Spark Plug	1	48	309483	Screw (Reed Valve to C'case)	2
21	306396	Lockwasher	4	49	429481	Flywheel Key	1
22	306397	Nut	4	50	427981	Check Valve Body	1
23	471961	Inner Shroud Assy. (incl.pts.mkd. ▲)		51	308528	"O" Ring Check Valve Body	1
24	426746	▲ Bumper - Inner Shroud	2	52	426835	Stem Check Valve Body	1
25	510278	Screw - Inner Shroud	1	53	426837	Spring Check Valve Body	1
26	428189	Gasket	1	54	428279	Spacer - Long	1
27	471641	Muffler Body Assy.	1	55	305230	Screw - Muffler Cover	1
28	428573	Baffle Plate	1	56	551725	Screw - Inner Shroud	1
29	471612	Muffler Cover	1	57	429446	Thrust Washers	2
30	313217	Screw - Muffler to Cylinder	2	58	428246	Reed Stiffener	1

### NOTE

Model 3270 Preceding Serial #618604 Use (#38) 428366 Crankshaft and (#49) 428409 Flywheel Key  
 Model 3200 Preceding Serial #624104 Use (#38) 428365 Crankshaft and (#49) 428409 Flywheel Key

## MODELS 3200/3270

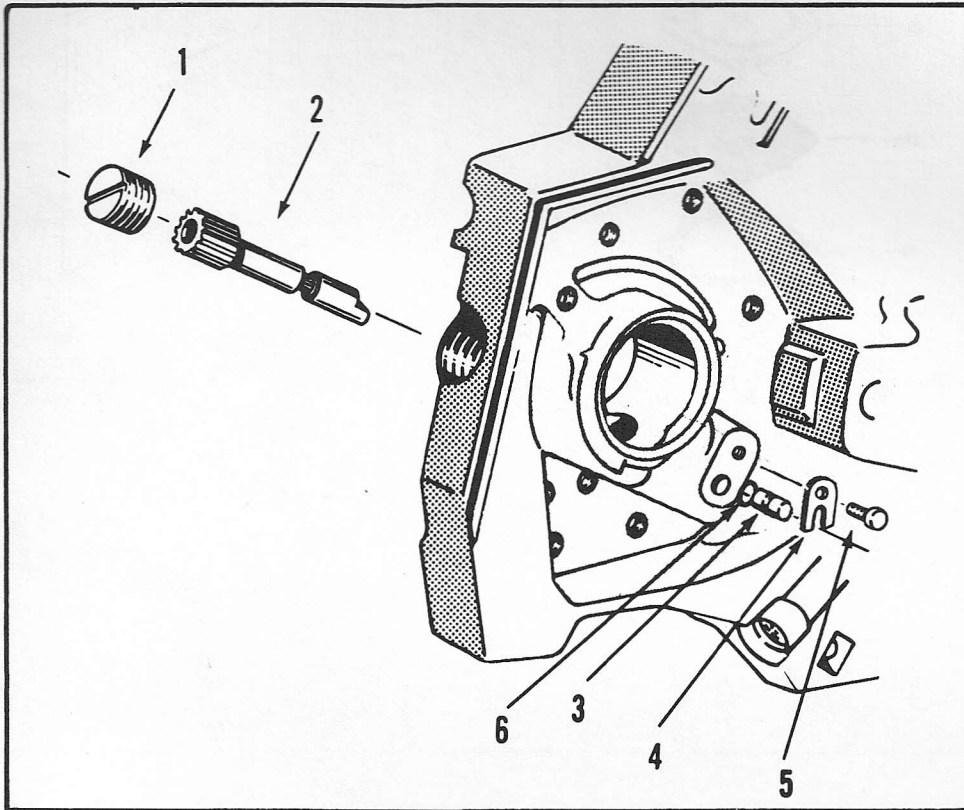


### CLUTCH PARTS LIST

REF. NO.	PART NO.	NAME OF PART	QTY. PER ASSY.	REF. NO.	PART NO.	NAME OF PART	QTY. PER ASSY.
1	473368	Front Handle Assy. (3200)	1	22	425672	* Pin - Chain Adjustment	1
	473369	Front Handle Assy. (3270)	1	23	202190	* Screw - Chain Adjustment	1
2	377582	Rubber Mount	1	24	428497	Fitting - Oiler tube (3270 only)	1
3	473241	Bearing Carrier Assy. (3200)	1	25	427889	"O" Ring	1
	473242	Bearing Carrier Assy. (3270)	1	26	303459	Bolt - Front Handle	2
4	302948	Screw - Brg. Carrier to C'case	3	27	306396	Washer - Front Handle	2
5	429360	Front Handle Bracket	1	28	427894	Plug - Bottom	1
6	304606	Screw - Handle Bracket to Bar Pad	2	29	427170	Nut - Front Handle	1
	428724	Seal Cover Washer	1	30	427659	Cutter Bar Bolt	2
8	471815	Sprocket Segment 3/8 Pitch +	1	31	428164	Thrust Washer - Clutch	1
	425091	● Bearing	1	32	471972	Full Wrap Handle Assy. (3200)	1
10	471401	Clutch Drum Assy. (incl.pts.mkd.●)	1		471973	Full Wrap Handle Assy. (3270)	1
11	427915	Clutch Plate	1	33	428027	Plug Handle (Full Wrap)	1
12	427187	Clutch Shoe	3	34	471842	Pivot Grip (incl.pts.mkd.▲)	1
13	426964	Clutch Spring	1	35	427170	▲ Nut	2
14	471576	Clutch Driver	1	36	314215	▲ Screw	2
15	427916	Clutch Cover	1	37	305230	Screw (Full Wrap only)	2
16	120177	Washer	1	38	427656	Seal - Bearing Carrier 3200	1
17	427181	Nut (R.H. Clutch)	1	38	428746	Seal-Bry. Carrier - 3270	1
18	429400	Guide Plate	2	39	425066	Bearing Main - Brg.Carrier-3270	1
19	425031	Nut - Strut	2	39	427849	Brg. Main-Brg. Carrier - 3200	1
20	427980	Washer Strut	2	40	307463	Plug (3270 only)	1
21	471791	Strut Assy. (incl.pts.mkd. *)	1	41	429204	Decal - Strut (3270 only)	1
				42	428258	Oil Fitting (3270 only)	2
				42	428001	Oil Fitting -(3200 Only)	1
				43	312472	Screw - Brg. Carrier to C'case	3
				44	302103	Nut	1
				45	306799	Washer	1

+ NOTE: 4 Pitch Optional 471563

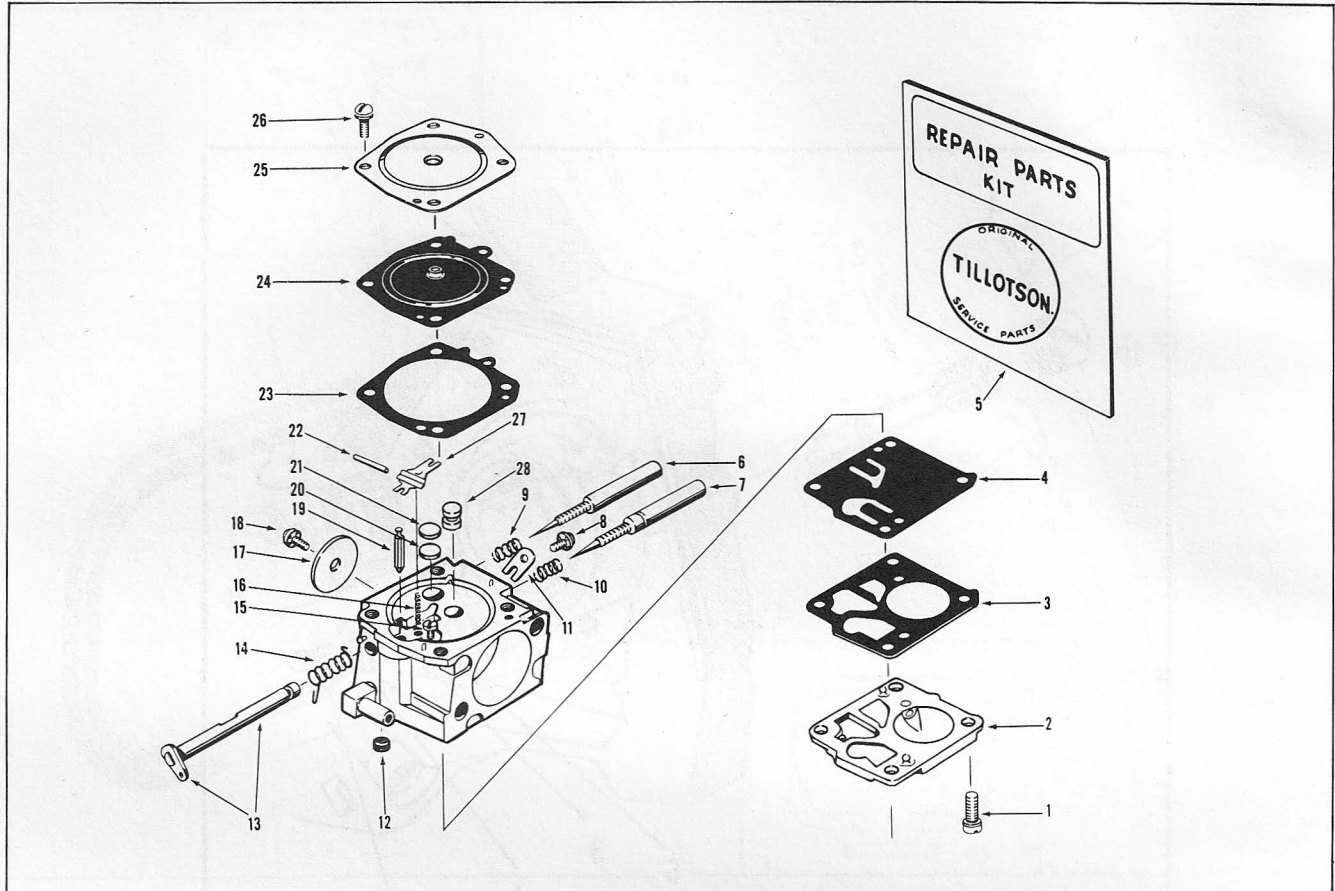
models 3200/3270



AUTOMATIC OILER

Item No.	Part No.	Description	Qty. Req'd.
1	428261	Plug	1
2	473339	Plunger	1
3	428405	Pin	1
4	428406	Retaining Clip	1
5	307191	Screw	1
6	308528	"O" Ring	1

## models 3200/3270



### CARBURETOR PARTS LIST

REF. NO.	PART NO.	NAME OF PART	QTY. PER ASSY.	REF. NO.	PART NO.	NAME OF PART	QTY. PER ASSY.
1	427955	Screw & Lockwasher	4	15	*427962	Inlet Pinion Pin Ret. Screw	1
2	427939	Cover - Pump	1	16	*426922	Inlet Tension Spring	1
3	*427940	Gasket	1	17	425966	Throttle Shutter	1
4	*427941	Diaphragm	1	18	*427947	Screw & Lockwasher	4
5	471771	Repair Parts Kit (incl.pts.mkd.*)	1	19	*427952	Inlet Needle	1
6	*428419	Idle Adj. Screw	1	20	*428149	Reducer	1
7	*428414	Main Adj. Screw	1	21	*427948	Welch Plug	1
8	*427947	Screw & Lockwasher	1	22	*427954	Inlet Pinion Pin	1
9	*425449	Idle Adj. Spring	1	23	*427950	Gasket	1
10	*425449	Main Adj. Spring	1	24	*471374	Diaphragm Assy.	1
11	427957	Throttle Shaft Clip	1	25	427956	Cover - Diaphragm	1
12	*427951	Inlet Screen	1	26	426145	Screw & Lockwasher	1
13	471739	Throttle Shaft & Lever	1	27	*427953	Inlet Control Lever	1
14	*428417	Throttle Shaft & Return Spring	1	28	473451	Check Valve Assy.	1

473452 Carburetor Comp.