

25 CENTS



**PIONEER**

**CHAIN SAWS**

**ILLUSTRATED  
PARTS  
CATALOGUE**

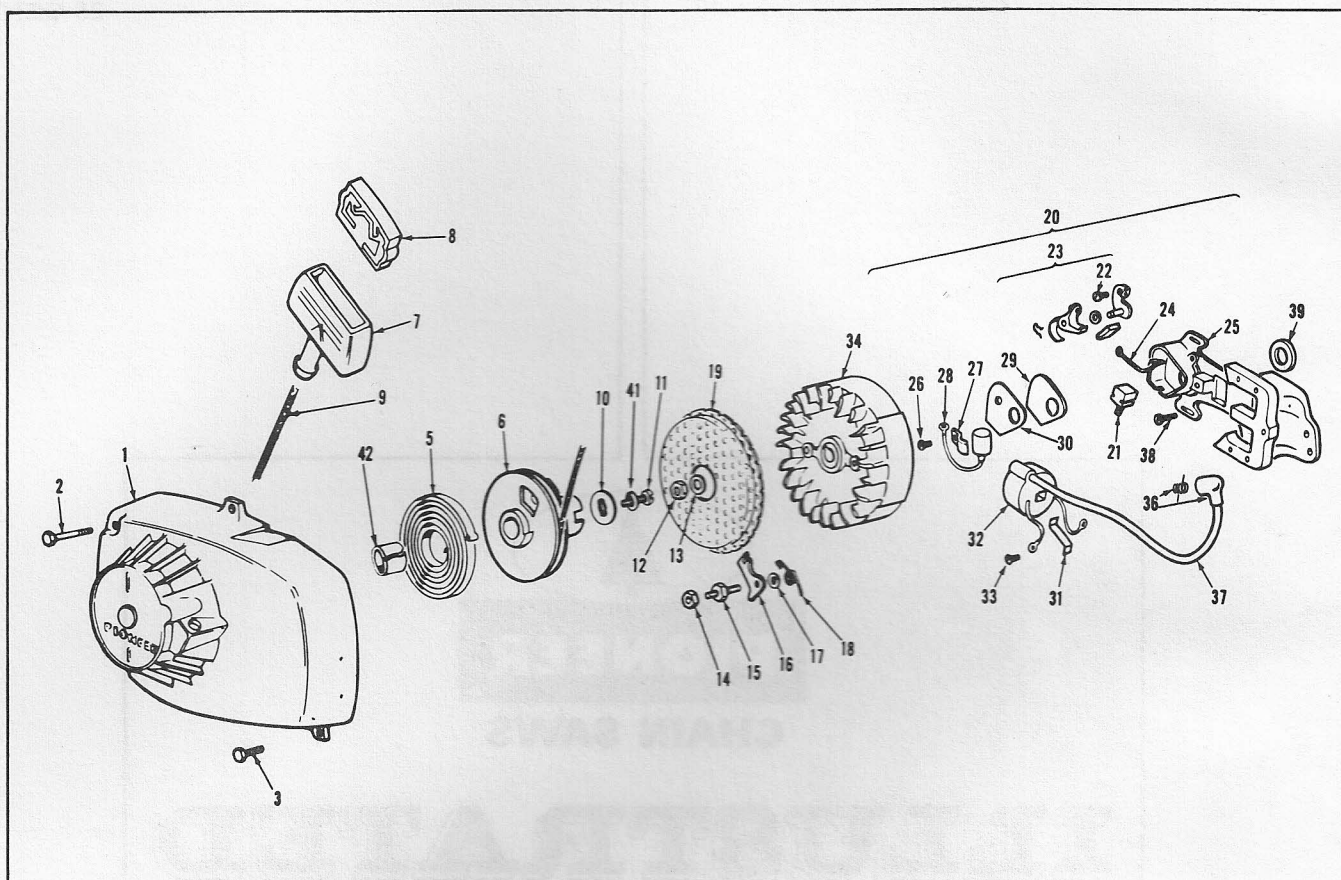
PIONEER SAWS, PETERBOROUGH, ONTARIO, CANADA;  
LINCOLN, NEBRASKA, U.S.A.

LITHO U.S.A.

**MODELS  
2200 AND 2270**

PART NO. 430061 11-72

## MODELS 2200/2270

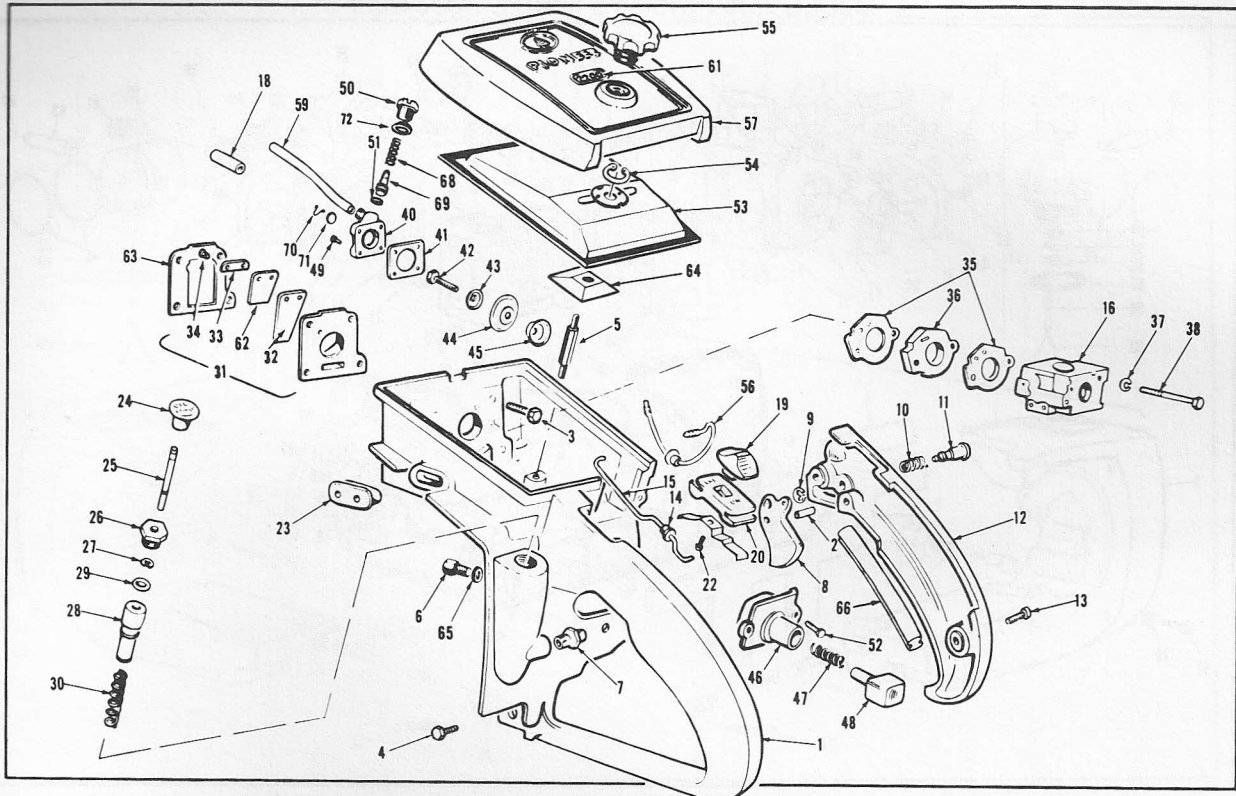


### STARTER & MAGNETO PARTS LIST

REF. NO.	PART NO.	NAME OF PART	QTY. PER ASSY.	REF. NO.	PART NO.	NAME OF PART	QTY. PER ASSY.
1	472982	Blower Cover Assembly (incl. x)	1	21	471364	*Terminal Connection Unit	1
2	428093	Screw (Blower to Tank)	2	22	471366	*Fixed Contact Clamp Screw Assy.	1
3	428094	Screw (Blower to Tank)	2	23	471500	*Breaker Point Set	1
5	427771	Starter Spring	1	24	425698	*Spring Breaker Box	1
6	471371	Starter Pulley Assembly	1	25	427752	*Stator Plate & Core	1
7	427370	Handle	1	26	425948	*Condenser Clamp Screw Assy.	1
8	427492	Anchor	1	27	427754	*Condenser Clamp	1
9	426752	Cord	1	28	471354	*Condenser Group Assembly	1
10	428105	Washer	1	29	429850	*Gasket (Cover)	1
11	551725	Screw (Pulley to Shaft)	1	30	427756	*Cover (Breaker Box)	1
12	427826	Locknut (Flywheel)	1	31	427748	*Coil Wedge Spring	1
13	429851	Washer (Flywheel)	1	32	471365	*Coil Assembly	1
14	427914	Nut (Screen to Pivot)	2	33	427749	*Coil Grounding Screw	1
15	427763	Pivot	2	34	471362	Flywheel Assembly	1
16	427765	Starter Pawl	2	36	580339	Sparky Ass'y.	1
17	202150	Washer (Pivot to Flywheel)	2	37	427745	High Tension Lead	1
18	427764	Spring	2	38	304605	Screw	3
19	427766	Rotating Screen	1	39	427917	Felt - Magneto to C'case	1
20	471499	Stator Assembly Complete (Stator Assembly Includes Parts Marked *)		41	306398	Lockwasher	1
				42	428444	Bearing Liner - Nylon	1



# MODELS 2200/2270

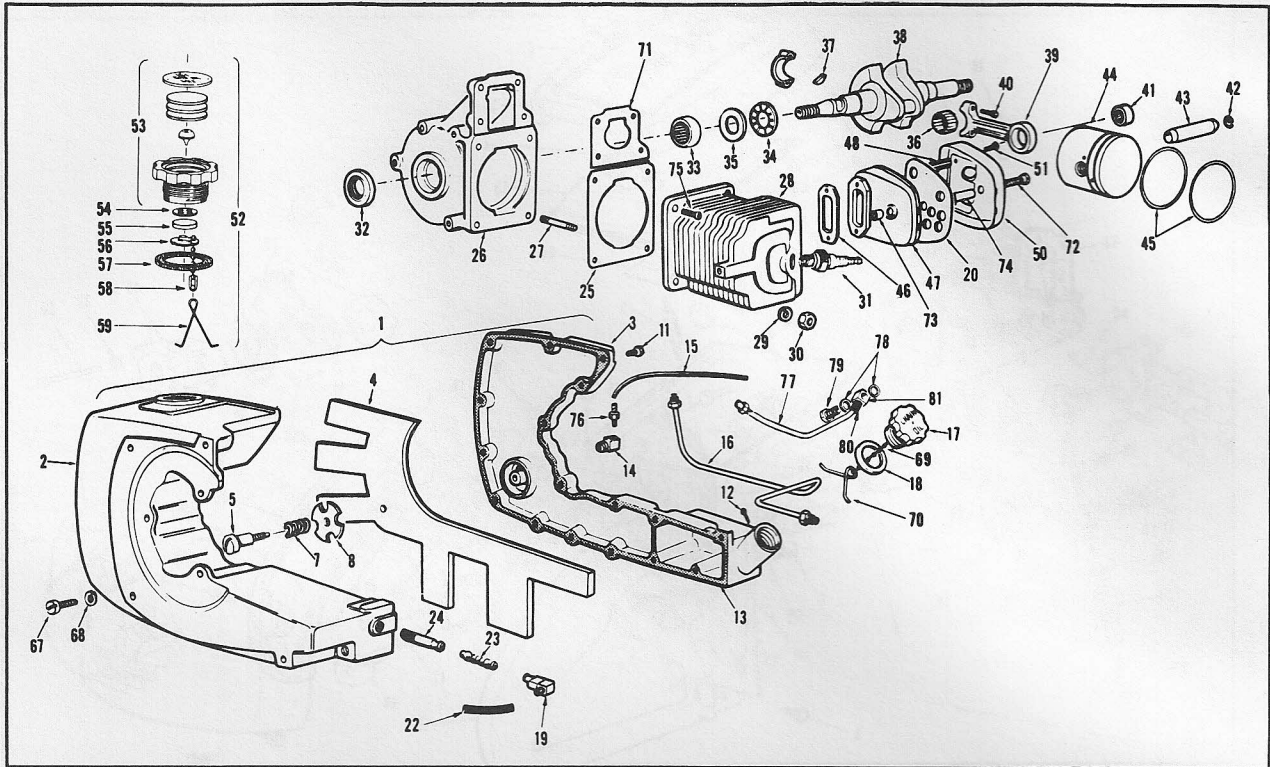


## OUTER ASSEMBLIES PARTS LIST

REF. NO.	PART NO.	NAME OF PART	QTY. PER ASSY.	REF. NO.	PART NO.	NAME OF PART	QTY. PER ASSY.
1	471609	Rear Handle Assembly	1	36	427723	Insulating Block - Carburetor	1
2	308016	Roll Pin - Throttle Trigger	1	37	120052	Lockwasher - Carb. - Mounting	2
3	313031	Screw - Rear Handle Crankcase	4	38	427785	Screw	2
4	510397	Screw - Rear Handle Tank	1	+	471314	Primer Ay. Comp.(incl. pts. mkd.*)	1
5	427837	Stud	1	40	472310	* Body & Fitting	1
6	471478	Outlet Valve Assembly	1	41	427715	* Gasket	1
7	471780	Inlet Valve Assembly	1	42	426821	* Screw No. 6-20	1
8	427696	Throttle Trigger	1	43	426926	* Cup Washer	1
9	309623	Retainer Clip	1	44	426815	* Diaphragm - Primer Pump	1
10	428171	Spring - Throttle Lock	1	45	426818	* Cup - Diaphragm	1
11	427815	Pin - Throttle Lock	1	46	427711	* Cover	1
12	429144	Rear Handle Cover	1	47	427800	* Spring - Primer Button	1
13	307613	Screw Handle Cover	2	48	427712	* Button	1
14	427698	Grommet - Throttle Link	1	49	307398	* Screw - Body to Cover	2
15	427699	Throttle Link	1	50	429128	* End Cap	1
16	472330	Carburetor Complete	1	51	308528	* "O" Ring - Exit Valve	2
				52	200832	Screw - Primer to Rear Handle	2
18	427863	Fuel Hose Tee to Primer	1	53	471355	Air Filter Element	1
19	427128	x Switch Button	1	54	427726	Retaining Ring - Knob	1
20	471699	Switch Assembly(inclpts.mkd. x)	1	55	471357	Knob Assembly	1
22	426662	x Screw Self Tapping (Switch)	1	56	471368	Switch Wire Assembly	1
23	428108	Grommet Hi-Lo	1	57	428082	Cover	1
24	427704	Button - Oiler	1				
25	427705	Push-Rod	1	59	427718	Primer Hose (To Crankcase)	1
26	427706	Cap-Oil Pump	1	61	429181	Decal - 2270	1
27	427788	Retaining Clip	1		429158	Decal - 2200	1
28	427098	Plunger - Oiler	1	62	428246	● Reed Stiffener	1
29	427360	"O" Ring (Oil Pump)	1	63	428129	Gasket - Reed to C'case	1
30	427925	Spring - Plunger - Oil Pump	1	64	428312	Blowback Shield	1
31	471603	Reed Valve Assy.(incl.pts.mkd.●)	1	65	428925	Washer - Outlet Valve	1
32	428126	● Reed	1	66	429161	Cushion	1
33	428127	● Reed Backing Plate	1				
34	428335	● Screw - Reed Valve	2	68	426837	* Spring	
35	427722	Gasket - Carb. Mounting	2	69	426835	* Stem	1
				70	426824	* Retaining Clip	1
				71	426825	* Disc. - Inlet Valve	1
				72	429453	* Washer	1

+ Not Shown

MODEL 2200 PRIOR TO SERIAL NO. 594652  
 MODEL 2270 PRIOR TO SERIAL NO. 642079

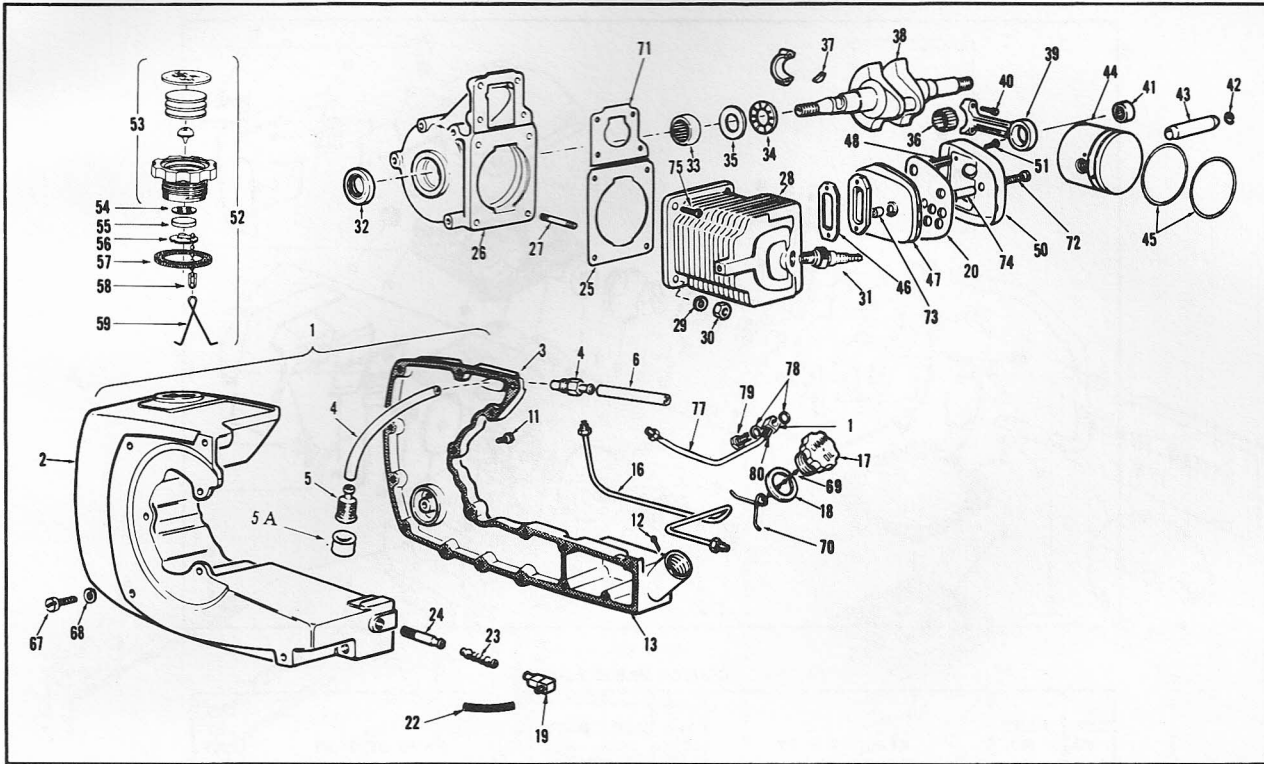


PICK UP ASSEMBLIES & ENGINE PARTS LIST

REF. NO.	PART NO.	NAME OF PART	QTY. PER ASSY.	REF. NO.	PART NO.	NAME OF PART	QTY. PER ASSY.
1	473456	Fuel & Oil Tank Assembly (2200)*	1	38	429470	Crankshaft - 2270	1
	473457	Fuel & Oil Tank Assembly (2270)*	1	39	471336	Con Rod Assy. (incl. parts ●)	1
2	429474	*Fuel & Oil Tank	1	40	311761	● Cap Screw	2
3	428134	*Tank Cover (2200)428135(2270)	1	41	429444	● Wrist Pin Bearing	1
4	427678	*Wick	1	42	427671	Retainer - Wrist Pin	2
5	425709	*Roller Pin	1	43	427670	Wrist Pin	1
7	429075	*Spring - Fuel Pick-up	1	44	471697	Piston with Dowell Pins	1
8	427680	*Washer - Compression	1	45	471698	Piston Ring Kit	1
11	428358	*Screw - Cover to tank	17	46	428189	Gasket - Muffler	1
12	306370	*Cotter Pin	1	47	471641	Muffler Body	1
13	428146	*Gasket - Tank to cover	1	48	428169	Stud - Muffler	2
14	427997	Fitting - Fuel Pickup in Tank	1	50	471612	Cover - Muffler	1
x15	428454	Fuel Line - Tank to Carb. 2200	1	51	305230	Screw - Muffler	2
16	471528	Oil Line - Pump to Bar	1	52	471820	Gas Cap Assembly Complete (includes parts marked with †)	1
17	471343	Oil Filler Cap & Gasket Assy. (includes parts marked with ▲)		53	471821	† Gas Cap Body Assembly	1
18	427689	▲Gasket - Oil Filler Cap	1	54	428600	† Cover Plate	1
19	428459	Fitting - Oil Pickup in Tank	1	55	427994	† Filter - Disc.	1
20	428573	Baffle Plate	1	56	427278	† Cover	1
22	428460	Oil Line - Tank to Pump	1	57	425087	† Gasket	1
23	428337	Hose - Oiler Pickup Line	1	58	427277	† Bead Chain	1
24	472152	Pickup Body Assembly	1	59	427213	† Lock Spring	1
25	428131	Gasket - Crankcase to Cylinder	1	67	309330	Screw - Tank to Crankcase	3
26	471602	Crankcase Assembly (includes parts marked §)		68	304145	Lockwasher	3
27	426642	§Stud - to cylinder	2	69	427690	▲ Bead Chain	1
28	428512	Cylinder	1	70	427288	▲ Lock Spring	1
29	306396	Lockwasher	4	71	428130	Gasket - Reed to R. Handle	1
30	306397	Nut	4	72	311753	Screw (Muffler to Cylinder)	1
31	428006	Spark plug CJ8	1	73	428248	Spacer (Short)	1
32	427656	Seal - Crankcase	1	74	428279	Spacer (Long)	1
33	427657	Bearing	1	75	306409	Screw - Cylinder to C'case	2
34	427782	Thrust Bearing	2	76	428497	Connector	1
35	427661	Thrust Race	2	77	472956	Oil Line (Auto Oiler) - 2270	1
36	471493	Bearing Needle	1	78	307554	Gasket - 2270	2
37	428409	Fly Wheel Key	1	79	471606	Pickup Head - 2270	1
38	429406	Crankshaft - 2200	1	80	427717	Rubber Connector -2270	1
				81	429134	Banjo Fitting-2270	1



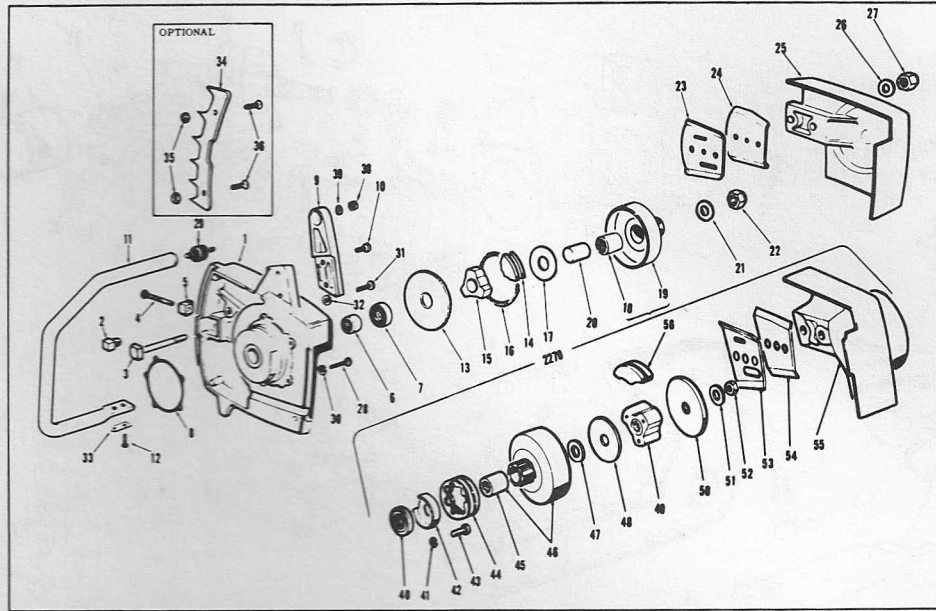
MODEL 2200 - SERIAL NO. 594652 AND UP  
 MODEL 2270 - SERIAL NO. 642079 AND UP



PICK UP ASSEMBLIES & ENGINE PARTS LIST

REF. NO.	PART NO.	NAME OF PART	QTY. PER ASSY.	REF. NO.	PART NO.	NAME OF PART	QTY. PER ASSY.
1	473461	Fuel & Oil Tank Assembly (2200)*	1	38	429470	Crankshaft - 2270	1
	473460	Fuel & Oil Tank Assembly (2270)*	1	39	471336	Con Rod Assy. (incl. parts ●)	1
2	429474	*Fuel & Oil Tank	1	40	311761	● Cap Screw	2
3	429534	*Tank Cover (2200)429535(2270)	1	41	429444	● Wrist Pin Bearing	1
4	473826	*Fitting & Hose Assembly	1	42	427671	Retainer - Wrist Pin	2
5	473459	*Pickup Assembly	1	43	427670	Wrist Pin	1
5A	425670	**Felt	1	44	471697	Piston with Dowell Pins	1
6	429533	*Hose	1	45	471698	Piston Ring Kit	1
11	428358	*Screw - Cover to tank	17	46	428189	Gasket - Muffler	1
12	306370	*Cotter Pin	1	47	471641	Muffler Body	1
13	428146	*Gasket - Tank to cover	1	48	428169	Stud - Muffler	2
			1	50	471612	Cover - Muffler	1
16	471528	Oil Line - Pump to Bar	1	51	305230	Screw - Muffler	2
17	471343	Oil Filler Cap & Gasket Assy. (includes parts marked with †)	1	52	471820	Gas Cap Assembly Complete (includes parts marked with †)	1
18	427689	▲Gasket - Oil Filler Cap	1	53	471821	† Gas Cap Body Assembly	1
19	428459	Fitting - Oil Pickup in Tank	1	54	428600	† Cover Plate	1
20	428573	Baffle Plate	1	55	427994	† Filter - Disc.	1
22	428460	Oil Line - Tank to Pump	1	56	427278	† Cover	1
23	428337	Hose - Oiler Pickup Line	1	57	425087	† Gasket	1
24	472152	Pickup Body Assembly	1	58	427277	† Bead Chain	1
25	428131	Gasket - Crankcase to Cylinder	1	59	427213	† Lock Spring	1
26	471602	Crankcase Assembly (includes parts marked §)	1	67	309330	Screw - Tank to Crankcase	3
27	426642	§Stud - to cylinder	2	68	304145	Lockwasher	3
28	428512	Cylinder	1	69	427690	▲ Bead Chain	1
29	306396	Lockwasher	4	70	427288	▲ Lock Spring	1
30	306397	Nut	4	71	428130	Gasket - Reed to R. Handle	1
31	428006	Spark plug CJ8	1	72	311753	Screw (Muffler to Cylinder)	1
32	427656	Seal - Crankcase	1	73	428248	Spacer (Short)	1
33	427657	Bearing	1	74	428279	Spacer (Long)	1
34	427782	Thrust Bearing	2	75	306409	Screw - Cylinder to C'case	2
35	427661	Thrust Race	2	77	472956	Oil Line (Auto Oiler) - 2270	1
36	471493	Bearing Needle	1	78	307554	Gasket - 2270	2
37	428409	Fly Wheel Key	1	79	471606	Pickup Head - 2270	1
38	429406	Crankshaft - 2200	1	80	427717	Rubber Connector -2270	1
			1	81	429134	Banjo Fitting-2270	1

## MODEL S 2200/2270

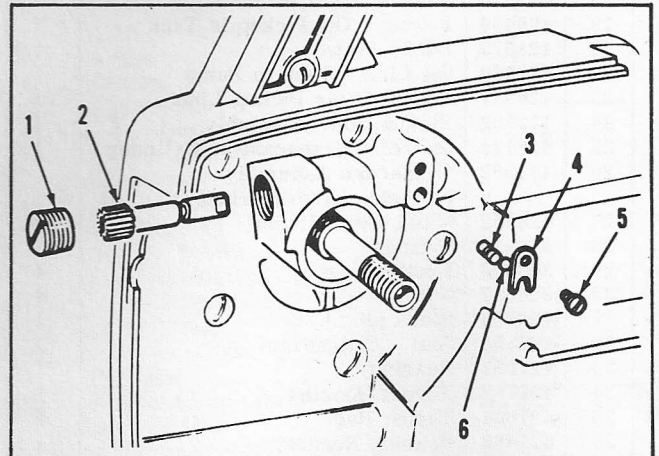


CLUTCH PARTS LIST

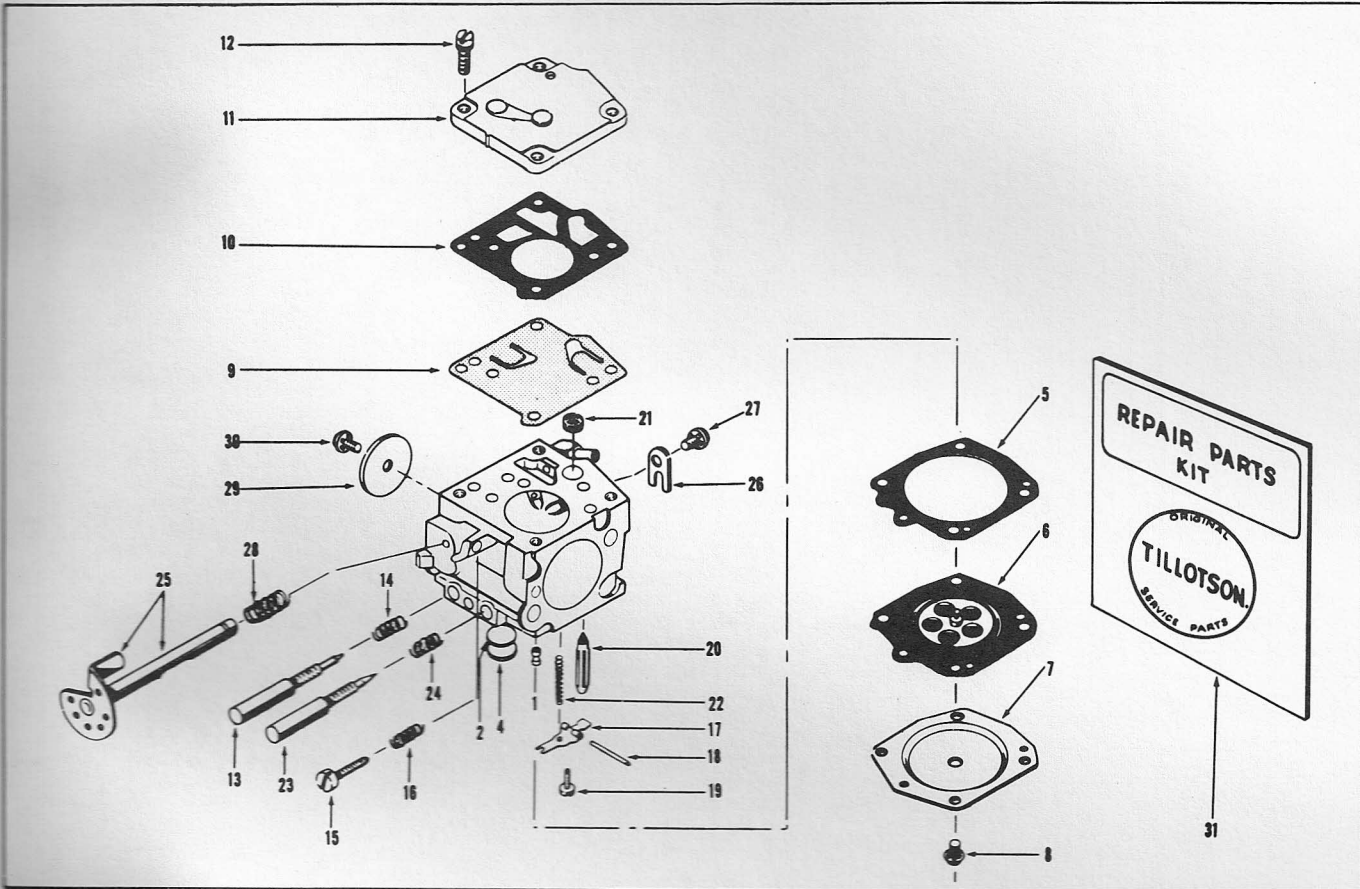
REF. NO.	PART NO.	NAME OF PART	QTY. PER ASSY.	REF. NO.	PART NO.	NAME OF PART	QTY. PER ASSY.
1	471614	Bearing Carrier Assy. - 2270	1	27	425031	Nut - Strut Bolt	2
	471334	Bearing Carrier Assy. - 2200 (includes parts marked *)	1	28	307466	Screw - C'case to Brg. Carrier	2
2	427997	Elbow - Oiler	1	29	377582	Rubber Mount	1
3	427659	Bolt - Cutter Bar	2	30	120052	Lockwasher	2
4	201767	* Screw - (Chain Adjust)	1	31	309330	Screw - C'case to Brg. Carrier	3
5	425672	* Pin - (Chain Adjust)	1	32	304145	Lockwasher	3
6	427657	Bearing C'shaft - 2200	1	33	429163	Plate - Handle Mounting	1
7	427656	Oil Seal	1	34	471581	Pivot Grip Assy. Inc. Pts. Mkd. ●	1
8	428462	Gasket - C'case to Brg. Carrier	1	35	427914	●Nut.	2
9	428695	Front Handle Bracket	1	36	307175	●Screw	2
10	304606	Screw - Bracket to Saw	2	38	302103	Nut - Handle to Bracket	1
11	472988	Front Handle Bar Assy.	1	39	306799	Washer " " "	1
12	429448	Screw - Handle to Tank	2	40	428128	Oil Seal	1
13	429407	Cover - Clutch	1	41	120052	Lockwasher	1
14	427736	Clutch Shoe	3	42	428140	Seal Cover	1
15	473342	Clutch Driver - 2200	1	43	307466	Screw	2
16	426964	Garter Spring - 2200 - 2270	1	44	471815	Sprocket Segment 3/8 P.	1
17	427737	Inner Thrust Washer - 2200	1	45	425091	●Bearing	1
18	425091	x Bearing	1	46	471401	Clutch Drum Assy.	1
19	471876	Clutch Drum Assy. (incl. pts. mkd. x) (2200)	1	47	428164	Thrust Washer	1
20	427742	Inner Race - 2200	1	48	427915	Clutch Plate	1
21	427743	Outer Thrust Washer - 2200	1	49	471576	Clutch Driver	1
22	427181	Lock Nut - Clutch Side - RH.	1	50	427916	Clutch Cover Plate	1
23	427775	Inner Guide Plate	1	51	120177	Washer	1
24	427776	Outer Guide Plate	1	52	427181	R.H. Locknut	1
25	429145	Strut - 2200	1	53	427775	Inner Guide Plate	1
26	427980	Washer - Strut Nut	2	54	427776	Outer Guide Plate	1
				55	429178	Strut - 2270	1
				56	427187	Clutch Shoe - 2270	3

### AUTOMATIC OILER

Item No.	Ref. No.	Description	Qty. Req'd.
1	428261	Plug	1
2	473339	Plunger	1
3	428405	Pin	1
4	428406	Retaining Clip	1
5	307191	Screw	1
6	308528	"O" Ring	1



MODEL S 2200/2270



CARBURETOR PARTS LIST

REF. NO.	PART NO.	NAME OF PART	QTY. PER ASSY.	REF. NO.	PART NO.	NAME OF PART	QTY. PER ASSY.
1	471618	Check Valve Assy.	1	17	*427953	Inlet Control Lever	1
2	428149	Reducer	1	18	*427954	Inlet Pinion Pin	1
4	*427948	Welch Plug	1	19	*427962	Inlet Pinion Pin Ret. Screw	1
5	427950	Gasket	1	20	*427952	Inlet Needle	1
6	*471374	Diaphragm Ass'y	1	21	*427951	Inlet Screen	1
7	427956	Cover - Diaphragm	1	22	*426922	Inlet Tension Spring	1
8	426145	Screw & Lockwasher	4	23	*427960	Main Adj. Screw	1
9	*427941	Diaphragm	1	24	*425449	Main Adj. Screw Spring	1
10	427940	Gasket	1	25	471380	Throttle Shaft & Lever	1
11	427939	Cover - Pump	1	26	427957	Throttle Shaft Clip	1
12	427955	Screw & Lockwasher	4	27	427947	Screw & Lockwasher	1
13	*428226	Idle Adj. Screw	1	28	*427961	Throttle Shaft Return Spring	1
14	*425449	Idle Adj. Screw Spring	1	29	425966	Throttle Shutter	1
15	*427963	Idle Speed Screw	1	30	*427947	Screw & Lockwasher	1
16	*427946	Idle Speed Screw Spring	1	31	471633	Repair Parts Kit (incl parts mkd.)*	1
					472330	Carb. Assy. complete	