

25 CENTS



PIONEER

CHAIN SAWS

**ILLUSTRATED
PARTS
CATALOGUE**

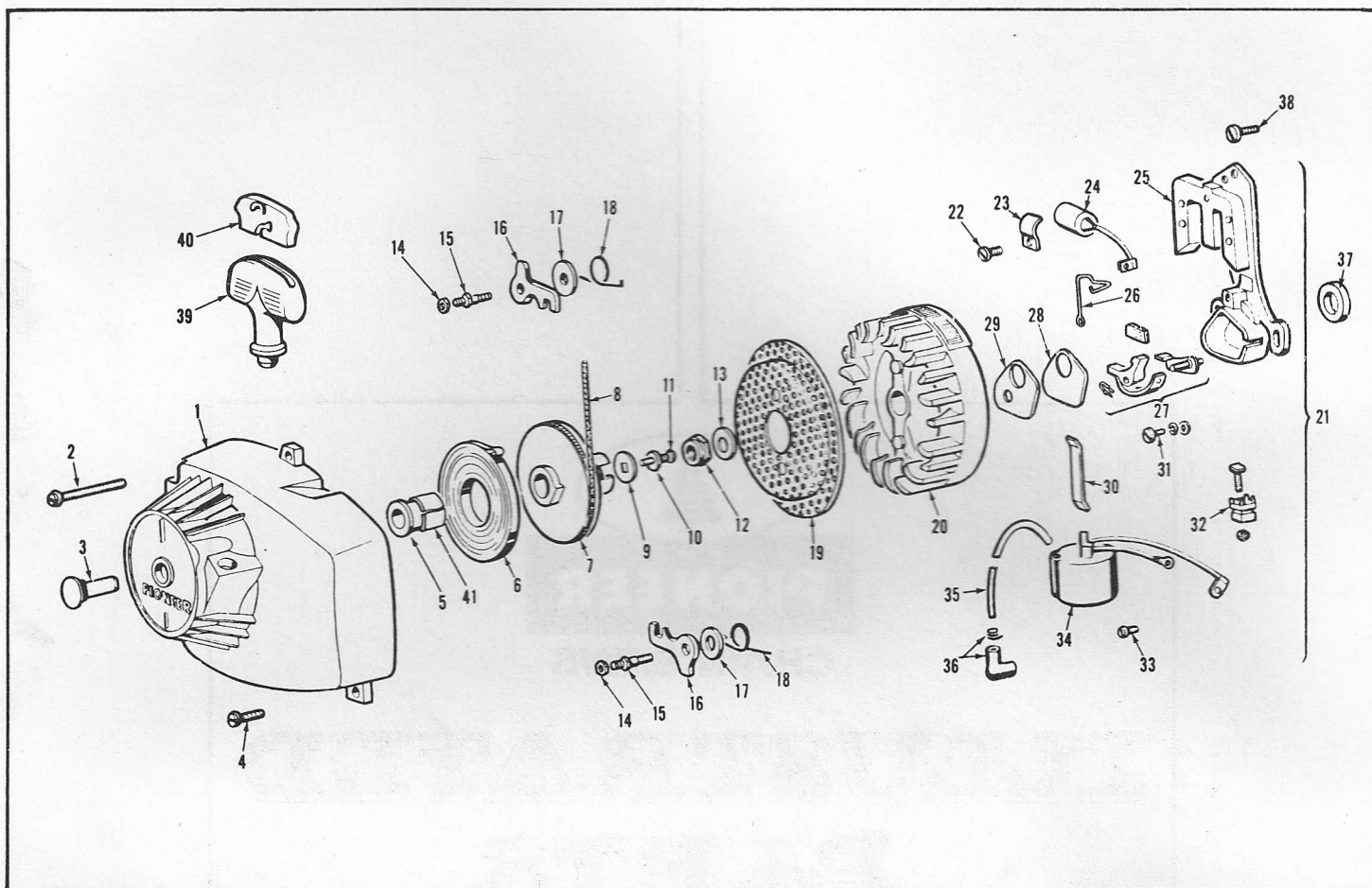
PIONEER SAWS, PETERBOROUGH, ONTARIO, CANADA;
LINCOLN, NEBRASKA, U.S.A.

LITHO U.S.A.

**MODELS
11-60 AND GTA**

PART NO. 430256 11-72

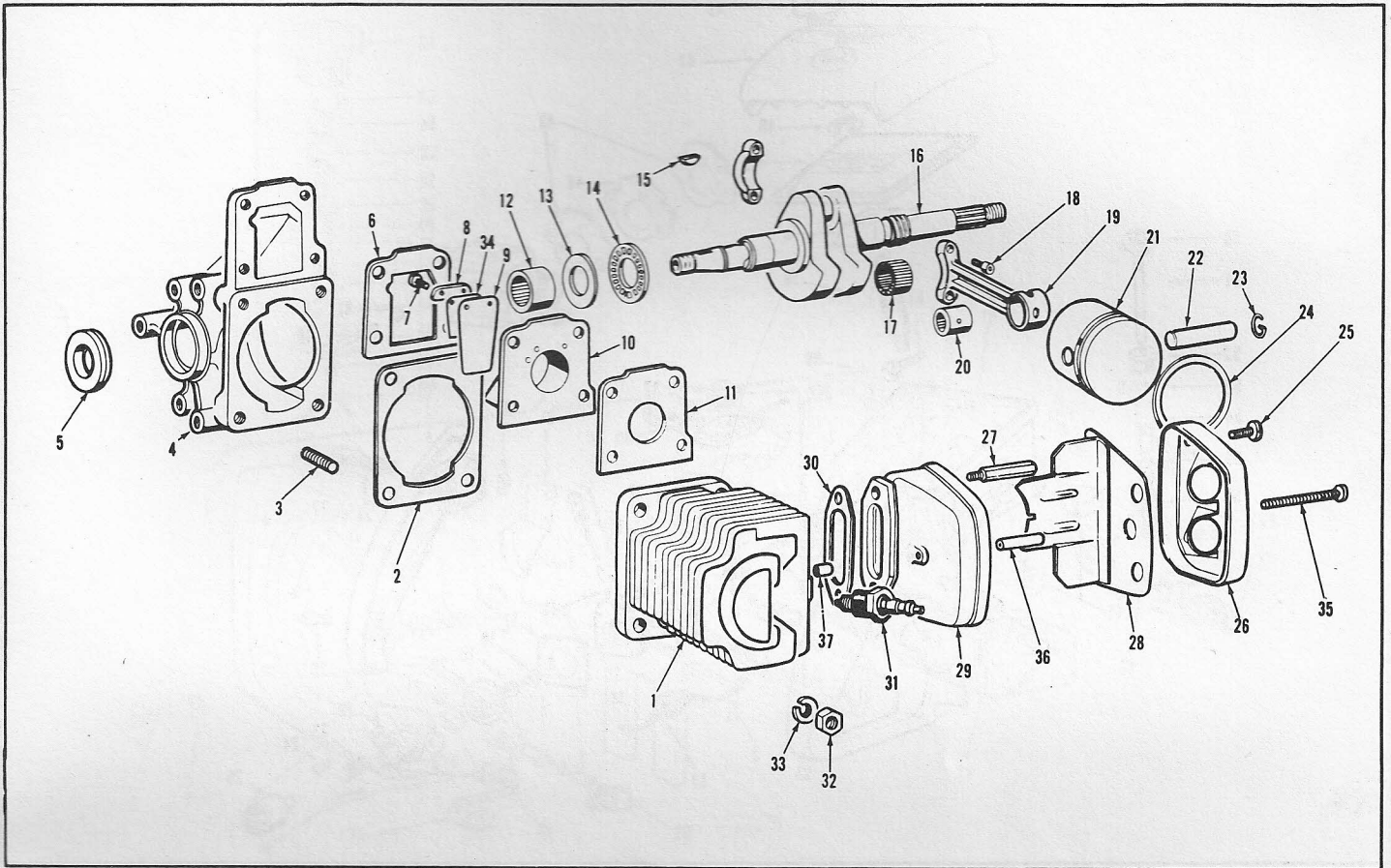
MODELS 11-60 AND GTA



STARTER & MAGNEBO PARTS LIST

| Item No. | Ref. No. | Description | Qty. Req'd. | Item No. | Ref. No. | Description | Qty. Req'd. |
|----------|----------|---|-------------|----------|----------|--|-------------|
| 1 | 471434 | Blower Cover Assembly (1160) (Includes parts marked x) | 1 | 21 | 471499 | Stator Assembly (Includes parts marked ●) | 1 |
| 1A | 471990 | Blower Cover Assembly (GTA) | 1 | 22 | 425948 | ● Condenser Clamp Screw | 1 |
| 2 | 428093 | Screw (Blower to Tank) | 2 | 23 | 427754 | ● Condenser Clamp | 1 |
| 3 | 428104 | x Pivot Shaft | 1 | 24 | 471354 | ● Condenser | 1 |
| 4 | 428094 | Screw (Blower to Tank) | 2 | 25 | 427752 | ● Stator Plate & Core | 1 |
| 5 | 428443 | Bearing Bushing | 1 | 26 | 425698 | ● Spring Breaker Box | 1 |
| 6 | 471588 | Starter Spring | 1 | 27 | 471500 | ● Breaker Point Set | 1 |
| 7 | 471371 | Starter Pulley Assembly | 1 | 28 | 427757 | ● Gasket (Cover) | 1 |
| 8 | 426752 | Cord | 1 | 29 | 427756 | ● Cover (Breaker Box) | 1 |
| 9 | 428105 | Washer | 1 | 30 | 427748 | ● Coil Wedge Spring | 1 |
| 10 | 306398 | Lockwasher | 1 | 31 | 471366 | ● Fixed Contact Clamp Screw Assy. | 1 |
| 11 | 551725 | Screw (Pulley to Shaft) | 1 | 32 | 471364 | ● Terminal Connection Unit | 1 |
| 12 | 427826 | Locknut (Flywheel) | 1 | 33 | 427749 | ● Coil Grounding Screw | 1 |
| 13 | 306405 | Washer (Flywheel) | 1 | 34 | 471365 | ● Coil Assembly | 1 |
| 14 | 427914 | Nut (Screen to Pivot) | 2 | 35 | 427745 | High Tension Lead | 1 |
| 15 | 427763 | Pivot | 2 | 36 | 580339 | Sparky Assembly | 1 |
| 16 | 427765 | Starter Pawl | 2 | 37 | 427917 | Felt (Magnebo to C'case) | 1 |
| 17 | 202150 | Washer (Pivot to Flywheel) | 2 | 38 | 304605 | Screw | 3 |
| 18 | 427764 | Spring | 2 | 39 | 427370 | Handle | 1 |
| 19 | 427766 | Rotating Screen | 1 | 40 | 427492 | Anchor | 1 |
| 20 | 471362 | Flywheel | 1 | 41 | 428444 | Bearing Liner - Nylon | 1 |

MODELS 11-60 AND GTA

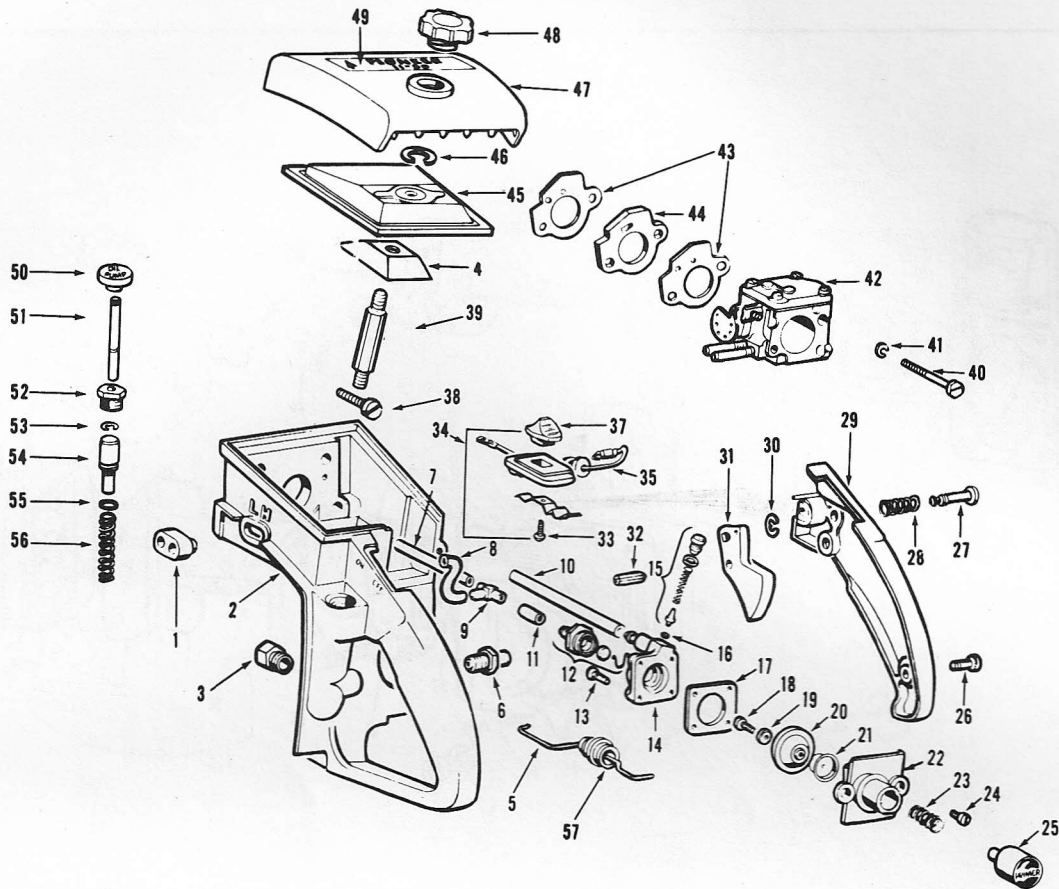


ENGINE PARTS LIST

| Item No. | Ref. No. | Description | Qty. Req'd. |
|----------|----------|--|-------------|
| 1 | 428512 | Cylinder Block | 1 |
| 2 | 428131 | Gasket Cylinder to C'Case | 1 |
| 3 | 426642 | x Stud | 4 |
| 4 | 471602 | Crankcase (incl. pts. mkd. x) | 1 |
| 5 | 427656 | Oil Seal | 1 |
| 6 | 428129 | Gasket (reed to c'case) | 1 |
| 7 | 428335 | * Screw - Reed | 2 |
| 8 | 428127 | * Retaining Plate | 1 |
| 9 | 428126 | * Reed | 1 |
| 10 | 471603 | Reed Valve Assembly (includes parts marked *) | 1 |
| 11 | 428130 | Gasket (reed to rear handle) | 1 |
| 12 | 427657 | Bearing | 1 |
| 13 | 427661 | Thrust Race | 2 |
| 14 | 427782 | Thrust Bearing | 2 |
| 15 | 428409 | Flywheel Key | 1 |
| 16 | 428145 | Crankshaft | 1 |
| 17 | 471493 | Bearing Needle | 1 |
| 18 | 311761 | ● Connecting Rod Screw | 2 |

| Item No. | Ref. No. | Description | Qty. Req'd. |
|----------|----------|--|-------------|
| 19 | 471336 | Connecting Rod Assembly (includes parts marked ●) | 1 |
| 20 | 427662 | ● Wristpin Bearing | 1 |
| 21 | 471697 | Piston with Dowel Pin Ass'y. | 1 |
| 22 | 427670 | Wrist Pin | 1 |
| 23 | 427671 | Retainer | 2 |
| 24 | 471698 | Piston Ring Assembly | 1 |
| 25 | 305230 | Screw (Muffler Cover) | 2 |
| 26 | 471612 | Muffler Cover Assembly | 1 |
| 27 | 428169 | Stud | 2 |
| 28 | 471611 | Splitter Assembly | 1 |
| 29 | 471641 | Muffler Body Assembly | 1 |
| 30 | 428189 | Gasket | 1 |
| 31 | 428006 | Spark Plug | 1 |
| 32 | 306397 | Nut | 4 |
| 33 | 306396 | Lockwasher | 4 |
| 34 | 428246 | * Reed Stiffener | 1 |
| 35 | 311753 | Screw Long | 1 |
| 36 | 428279 | Spacer Long | 1 |
| 37 | 428248 | Spacer Short | 1 |

MODELS 11-60 AND GTA



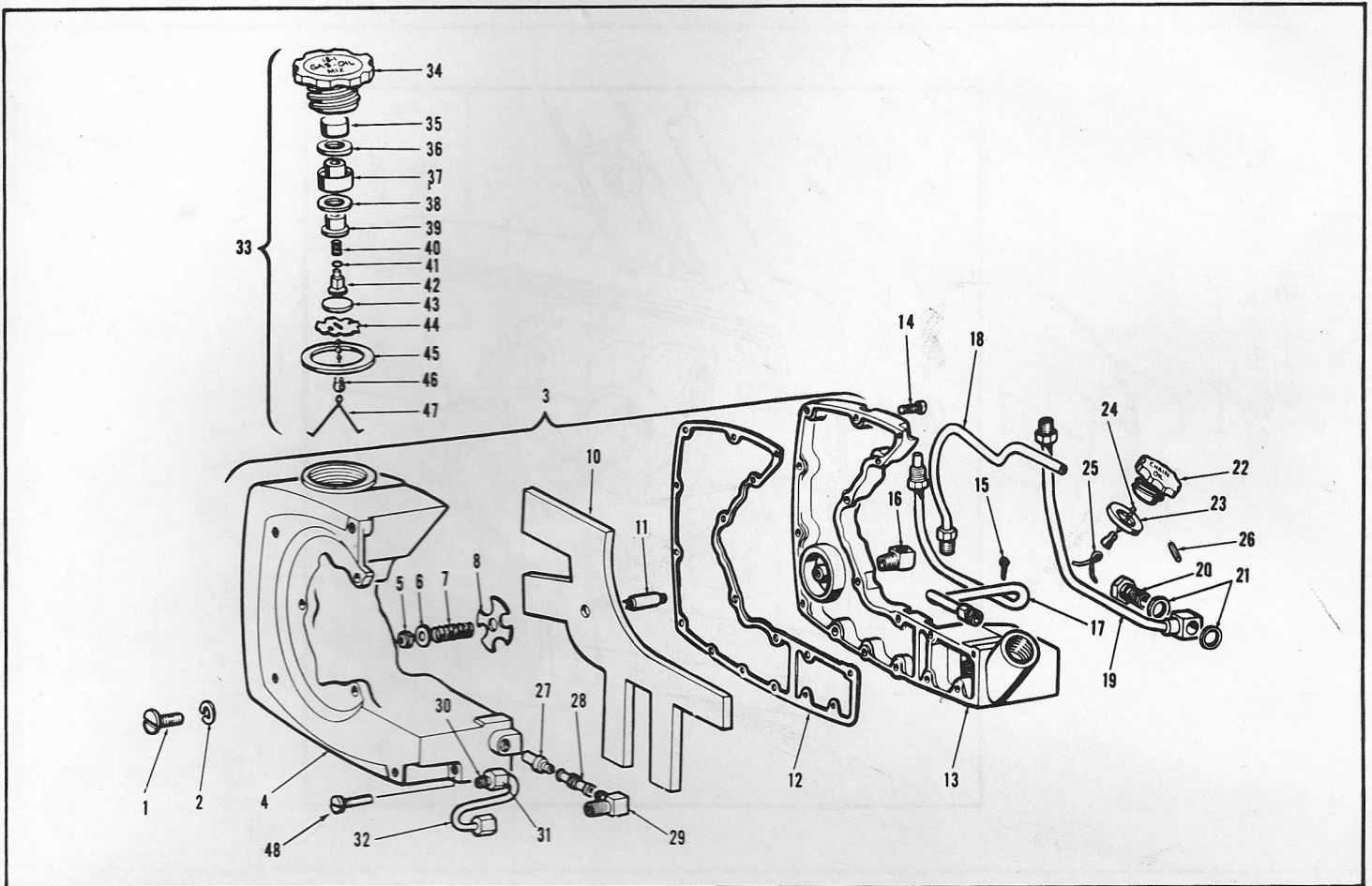
OUTER ASSEMBLIES PARTS LIST

| Item No. | Ref. No. | Description | Qty. Req'd. |
|----------|----------|--|-------------|
| 1 | 428108 | Grommet (Carb. Adj.) | 1 |
| 2 | 471609 | Rear Handle Assembly (1160) | 1 |
| 2A | 472242 | Rear Handle Assembly (GTA) | 1 |
| 3 | 471478 | Outlet Valve Assembly | 1 |
| 4 | 428312 | Blowback Shield - Air Filter | 1 |
| 5 | 427699 | Throttle Link | 1 |
| 6 | 471348 | Inlet Valve Assembly | 1 |
| 7 | 427716 | Fuel Hose - Tank to Tee | 1 |
| 8 | 427897 | Fuel Hose - Tee to Carb. | 1 |
| 9 | 427896 | Tee | 1 |
| 10 | 427718 | Primer Hose (To Crankcase) | 1 |
| 11 | 427717 | Fuel Hose - Tee to Primer | 1 |
| * | 472314 | Primer Assembly Complete (Includes parts marked ●) | |
| 12 | 471375 | ● Inlet Valve | 1 |
| 13 | 307398 | ● Screw - Body to Cover | 2 |
| 14 | 471352 | ● Body & Fitting | 1 |
| 15 | 470729 | ● Exit Valve Assembly | 1 |
| 16 | 308528 | ● "O" Ring - Exit Valve | 1 |
| 17 | 427715 | ● Gasket | 1 |
| 18 | 426821 | ● Screw | 1 |
| 19 | 496926 | ● Cup Washer | 1 |
| 20 | 426815 | ● Diaphragm (Primer Pump) | 1 |
| 21 | 426818 | ● Cup (Diaphragm) | 1 |
| 22 | 427711 | ● Cover (1160) | 1 |
| 22A | 428923 | ● Cover (GTA) | 1 |
| 23 | 427800 | ● Spring (Primer Button) | 1 |
| 24 | 200832 | Screw (Primer to Rear Handle) | 2 |
| 25 | 427712 | ● Button | 1 |
| 26 | 307613 | Screw - Handle to Cover | 2 |
| 27 | 427815 | Pin - Throttle Lock | 1 |

| Item No. | Ref. No. | Description | Qty. Req'd. |
|----------|----------|----------------------------------|-------------|
| 28 | 428171 | Spring - Throttle Lock | 1 |
| 29 | 427697 | Rear Handle Cover (1160) | 1 |
| 29A | 428819 | Rear Handle Cover (GTA) | 1 |
| 30 | 309623 | Retainer Clip | 1 |
| 31 | 427696 | Throttle Trigger | 1 |
| 32 | 308016 | Roll Pin (Throttle Trigger) | 1 |
| 33 | 426662 | x Screw | 1 |
| 34 | 471699 | Switch Assy. (incl. pts. mkd. x) | 1 |
| 35 | 471368 | Switch Wire Assembly | 1 |
| 37 | 427128 | x Switch Button | 1 |
| 38 | 313031 | Screw - Rear Handle to C'case) | 4 |
| 39 | 427837 | Stud | 1 |
| 40 | 427785 | Screw - Carb. to Rear Handle | 2 |
| 41 | 120052 | Lockwasher - Carb. Mounting | 2 |
| 42 | 471575 | Carburetor | 1 |
| 43 | 427722 | Gasket - Carb. Mounting | 2 |
| 44 | 427723 | Insulating Block | 1 |
| 45 | 471355 | Air Filter Element | 1 |
| 46 | 427726 | Retaining Ring | 1 |
| 47 | 428083 | Air Filter Cover (1160) | 1 |
| 47A | 428804 | Air Filter Cover (GTA) | 1 |
| 48 | 471357 | Knob Assembly | 1 |
| 49 | 428480 | 11-60 Decal | 1 |
| 50 | 427704 | Button - Oiler | 1 |
| 51 | 427705 | Push Rod | 1 |
| 52 | 427706 | Cap - Oil Pump | 1 |
| 53 | 427788 | Retaining Clip | 1 |
| 54 | 427098 | Plunger | 1 |
| 55 | 427360 | "O" Ring | 1 |
| 56 | 427925 | Spring | 1 |
| 57 | 427698 | Grommet | 1 |

* Not Shown

MODELS 11-60 AND GTA

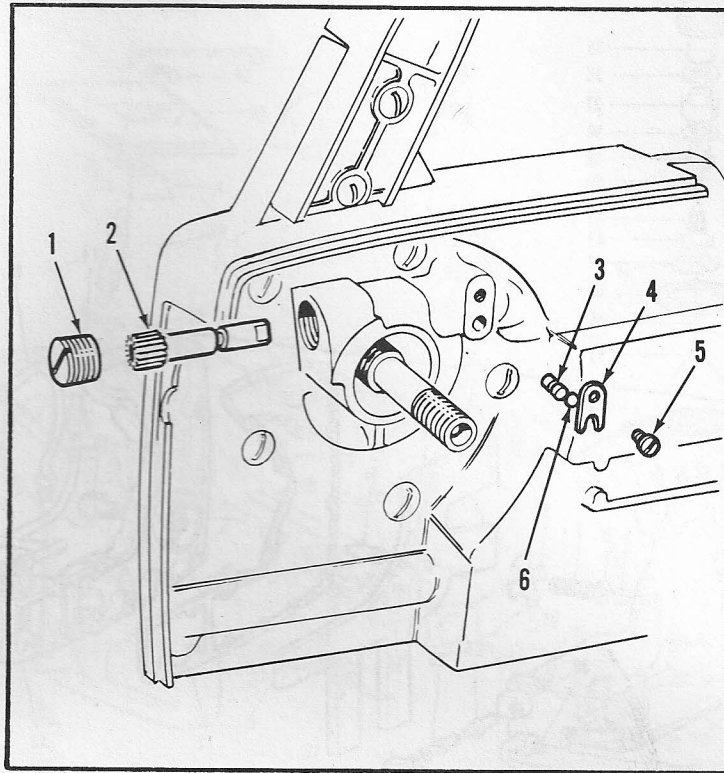


PICK UP ASSEMBLIES PARTS LIST

| Item No. | Ref. No. | Description | Qty. Req'd. |
|----------|----------|--|-------------|
| 1 | 309330 | Screw | 3 |
| 2 | 304145 | Lockwasher | 3 |
| 3 | 471605 | Fuel & Oil Tank Assembly (1160) (Includes parts marked *) | 1 |
| 3A | 428822 | Fuel & Oil Tank Assembly (GTA) | 1 |
| 4 | 428132 | * Fuel Tank | 1 |
| 5 | 425911 | * Locknut | 1 |
| 6 | 306547 | * Washer | 1 |
| 7 | 427681 | * Spring | 1 |
| 8 | 427680 | * Compression Washer | 1 |
| 10 | 427678 | * Wick | 1 |
| 11 | 427677 | * Stud | 1 |
| 12 | 428146 | * Gasket (Cover to Tank) | 1 |
| 13 | 428135 | * Fuel Tank Cover (1160) | 1 |
| 13A | 428827 | Fuel Tank Cover (GTA) | 1 |
| 14 | 428358 | * Screw | 17 |
| 15 | 306370 | * Cotter Pin | 1 |
| 16 | 427997 | Fitting (Fuel pickup in tank) | 1 |
| 17 | 471528 | Oil Line (Manual Pump) | 1 |
| 18 | 471527 | Fuel Line | 1 |
| 19 | 471623 | Oil Line (Auto Oiler) | 1 |
| 20 | 471606 | Oil Pickup Head Assembly | 1 |
| 21 | 307554 | Gasket | 2 |
| 22 | 471343 | Oil Cap Assembly (Includes parts marked x) | 1 |
| 23 | 427689 | x Gasket | 1 |

| Item No. | Ref. No. | Description | Qty. Req'd. |
|----------|----------|---|-------------|
| 24 | 427690 | x Bead Chain | 1 |
| 25 | 427288 | x Lock Spring | 1 |
| 26 | 427289 | x Pin | 1 |
| 27 | 471342 | Pickup Body | 1 |
| 28 | 427685 | Hose | 1 |
| 29 | 427791 | Fitting | 1 |
| 30 | 306346 | Ball Sleeve (oil line) | 2 |
| 31 | 306347 | Ball Sleeve Nut (oil line) | 2 |
| 32 | 427719 | Oil Line | 1 |
| 33 | 471344 | Gas Cap Assembly (Includes parts marked ●) | 1 |
| 34 | 471327 | ● Gas Cap Body | 1 |
| 35 | 427993 | ● Filter Disc | 1 |
| 36 | 427273 | ● Gasket | 1 |
| 37 | 427276 | ● Valve Body | 1 |
| 38 | 427274 | ● Vacuum Valve | 1 |
| 39 | 427275 | ● Backing Plate | 1 |
| 40 | 427280 | ● Spring | 1 |
| 41 | 427281 | ● "O" Ring | 1 |
| 42 | 427279 | ● Stem Valve | 1 |
| 43 | 427994 | ● Filter Disc | 1 |
| 44 | 427278 | ● Cover | 1 |
| 45 | 425087 | ● Gasket (Gas Cap) | 1 |
| 46 | 427277 | ● Bead Chain | 1 |
| 47 | 427213 | ● Lockspring | 1 |
| 48 | 510397 | Screw - Rear Handle to Tank | 1 |

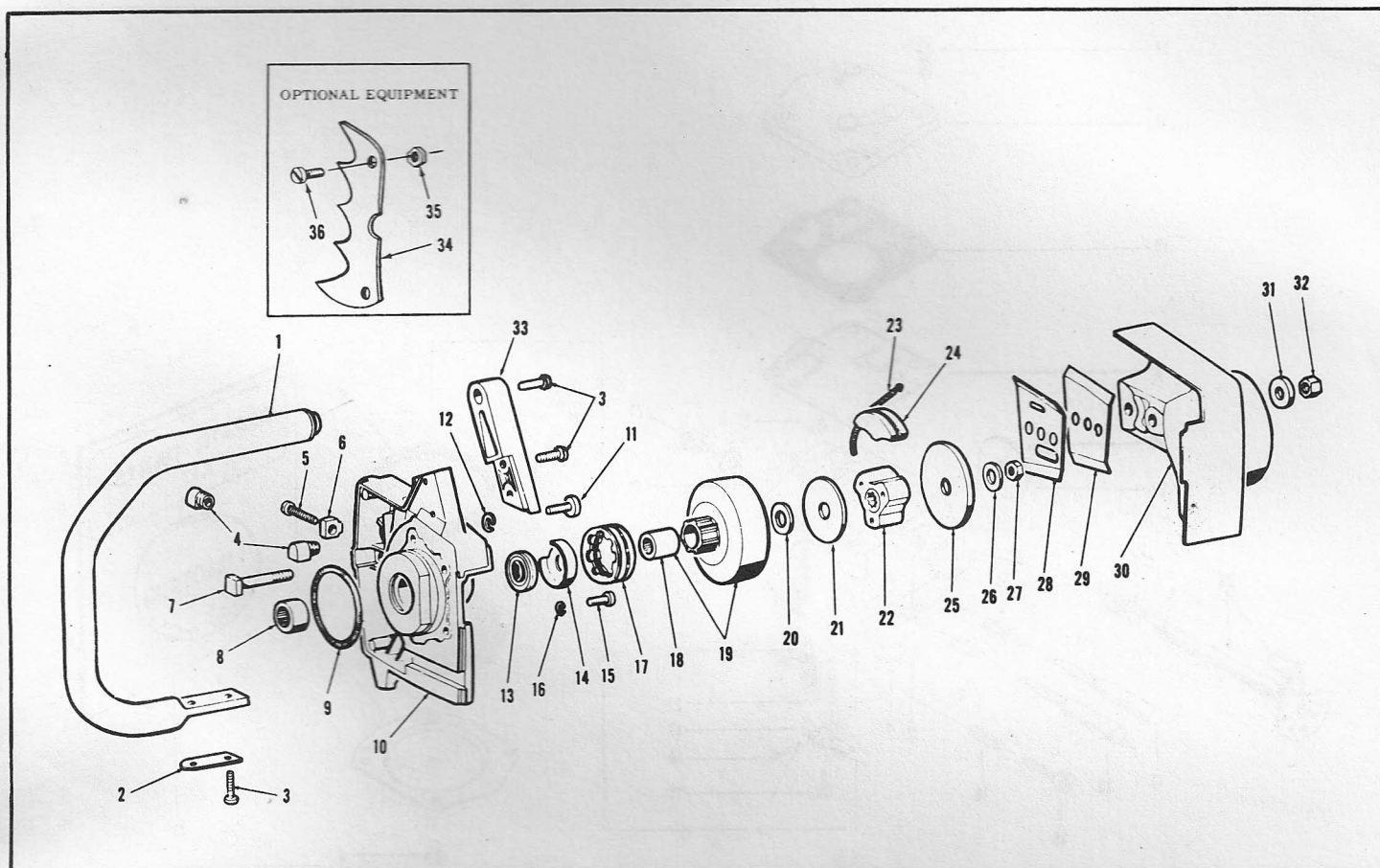
MODELS 11-60 AND GTA



AUTOMATIC OILER PARTS LIST

| Item No. | Ref. No. | Description | Qty. Req'd. |
|----------|----------|----------------|-------------|
| 1 | 428261 | Plug | 1 |
| 2 | 428142 | Plunger | 1 |
| 3 | 428405 | Pin | 1 |
| 4 | 428406 | Retaining Clip | 1 |
| 5 | 307191 | Screw | 1 |
| 6 | 308528 | "O" Ring | 1 |

MODELS 11-60 AND GTA

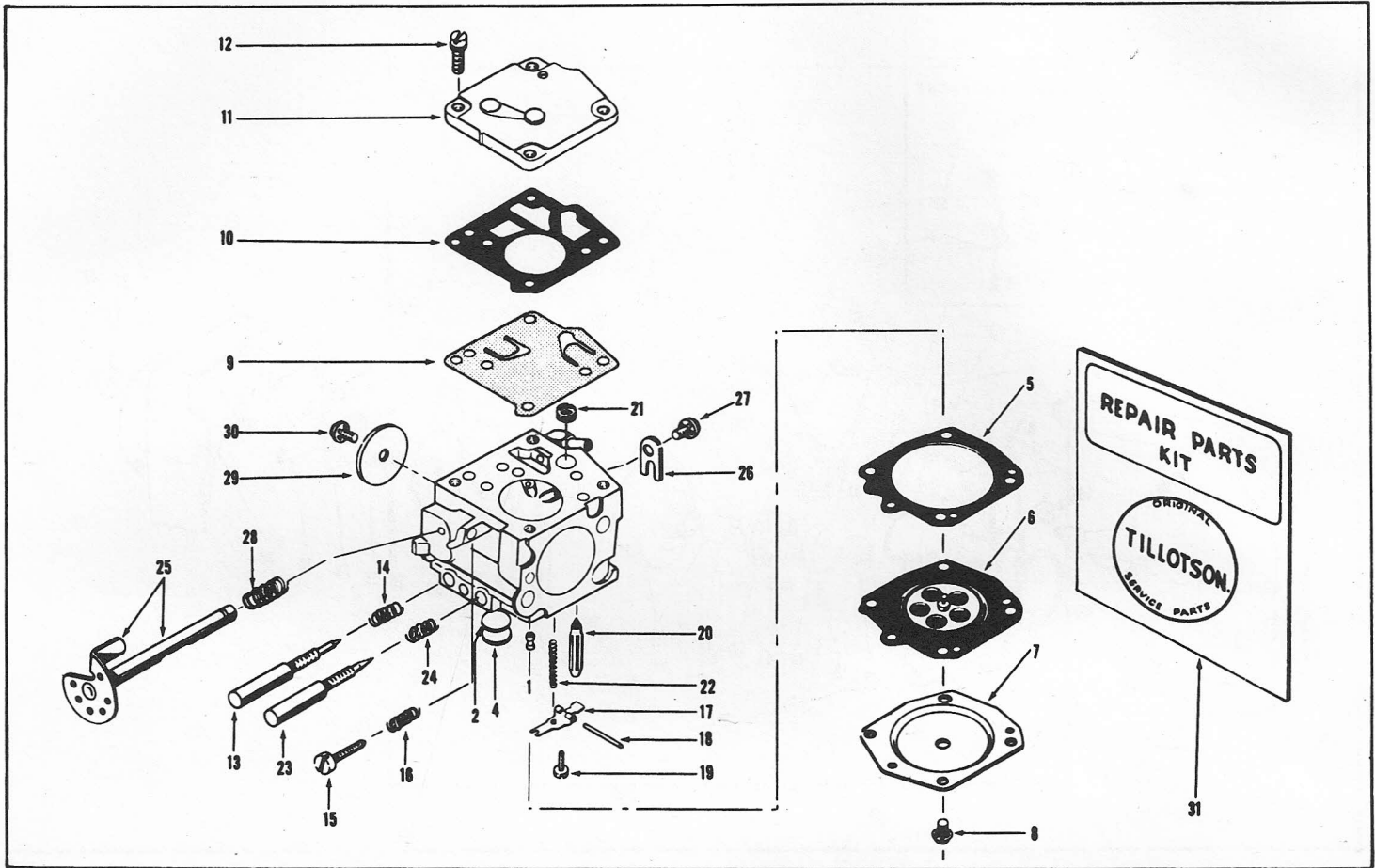


CLUTCH PARTS LIST

| Item No. | Ref. No. | Description | Qty. Req'd. |
|----------|----------|---|-------------|
| 1 | 471372 | Front Handle | 1 |
| 2 | 428000 | Plate (Handle Mounting) | 1 |
| 3 | 304606 | Screw | 5 |
| 4 | 427997 | Elbow | 2 |
| 5 | 201767 | * Screw (Chain Adjustment) | 1 |
| 6 | 425672 | * Pin (Chain Adjustment) | 1 |
| 7 | 427659 | Bolt (Cutter Bar) | 2 |
| 8 | 427657 | Bearing (Crankshaft) | 1 |
| 9 | 427667 | "O" Ring | 1 |
| 10 | 471601 | Bearing Carrier Assembly (1160) (includes parts marked *) | 1 |
| 10A | 471995 | Bearing Carrier Assy. (GTA) | 1 |
| 11 | 309330 | Screw (Case to Bearing Carrier) | 3 |
| 12 | 304145 | Lockwasher | 3 |
| 13 | 428128 | Oil Seal | 1 |
| 14 | 428140 | Seal Cover | 1 |
| 15 | 307466 | Screw | 2 |
| 16 | 120052 | Lockwasher | 2 |
| 17 | 471563 | Sprocket | 1 |
| 18 | 425091 | ● Bearing | 1 |

| Item No. | Ref. No. | Description | Qty. Req'd. |
|----------|----------|--|-------------|
| 19 | 471401 | Clutch Drum Assembly (includes parts marked ●) | 1 |
| 20 | 428164 | Thrust Washer | 1 |
| 21 | 427915 | Clutch Plate | 1 |
| 22 | 471576 | Clutch Driver | 1 |
| 23 | 426964 | Clutch Spring | 1 |
| 24 | 427187 | Clutch Shoe | 3 |
| 25 | 427916 | Clutch Cover Plate | 1 |
| 26 | 120177 | Washer | 1 |
| 27 | 427181 | Locknut R.H. | 1 |
| 28 | 427775 | Inner Guide Plate | 1 |
| 29 | 427776 | Outer Guide Plate | 1 |
| 30 | 428136 | Strut (1160) | 1 |
| 30A | 428821 | Strut (GTA) | 1 |
| 31 | 425116 | Washer | 2 |
| 32 | 425031 | Nut | 2 |
| 33 | 427778 | Front Handle Bracket | 1 |
| 34 | 471581 | Pivot Grip Assy. (incl. pts. mkd. †) | 1 |
| 35 | 427914 | † Nut | 2 |
| 36 | 307175 | † Screw | 2 |

MODELS 11-60 AND GTA



CARBURETOR PARTS LIST

| Item No. | Ref. No. | Description | Qty. Req'd. |
|----------|----------|-------------------------|-------------|
| 1 | 471618 | Check Valve Assy. | 1 |
| 2 | 428149 | Reducer | 1 |
| 4 | *427948 | Welch Plug | 1 |
| 5 | 427950 | Gasket | 1 |
| 6 | *471374 | Diaphragm Ass'y. | 1 |
| 7 | 427956 | Cover - Diaphragm | 1 |
| 8 | 426145 | Screw & Lockwasher | 4 |
| 9 | *427941 | Diaphragm | 1 |
| 10 | 427940 | Gasket | 1 |
| 11 | 427939 | Cover - Pump | 1 |
| 12 | 427955 | Screw & Lockwasher | 4 |
| 13 | *428226 | Idle Adj. Screw | 1 |
| 14 | *425449 | Idle Adj. Screw Spring | 1 |
| 15 | *427963 | Idle Speed Screw | 1 |
| 16 | *427946 | Idle Speed Screw Spring | 1 |

| Item No. | Ref. No. | Description | Qty. Req'd. |
|----------|----------|---------------------------------------|-------------|
| 17 | *427953 | Inlet Control Lever | 1 |
| 18 | *427954 | Inlet Pinion Pin | 1 |
| 19 | *427962 | Inlet Pinion Pin Ret. Screw | 1 |
| 20 | *427952 | Inlet Needle | 1 |
| 21 | *427951 | Inlet Screen | 1 |
| 22 | *426922 | Inlet Tension Spring | 1 |
| 23 | *427960 | Main Adj. Screw | 1 |
| 24 | *425449 | Main Adj. Screw Spring | 1 |
| 25 | 471380 | Throttle Shaft & Lever | 1 |
| 26 | 427957 | Throttle Shaft Clip | 1 |
| 27 | 427947 | Screw & Lockwasher | 1 |
| 28 | *427961 | Throttle Shaft Return Spring | 1 |
| 29 | 425966 | Throttle Shutter | 1 |
| 30 | *427947 | Screw & Lockwasher | 1 |
| 31 | 471633 | Repair Parts Kit (incl. parts mkd. *) | 1 |
| | 471575 | Carb. Assy. complete | |