

25 CENTS



PIONEER

CHAIN SAWS

**ILLUSTRATED
PARTS
CATALOGUE**

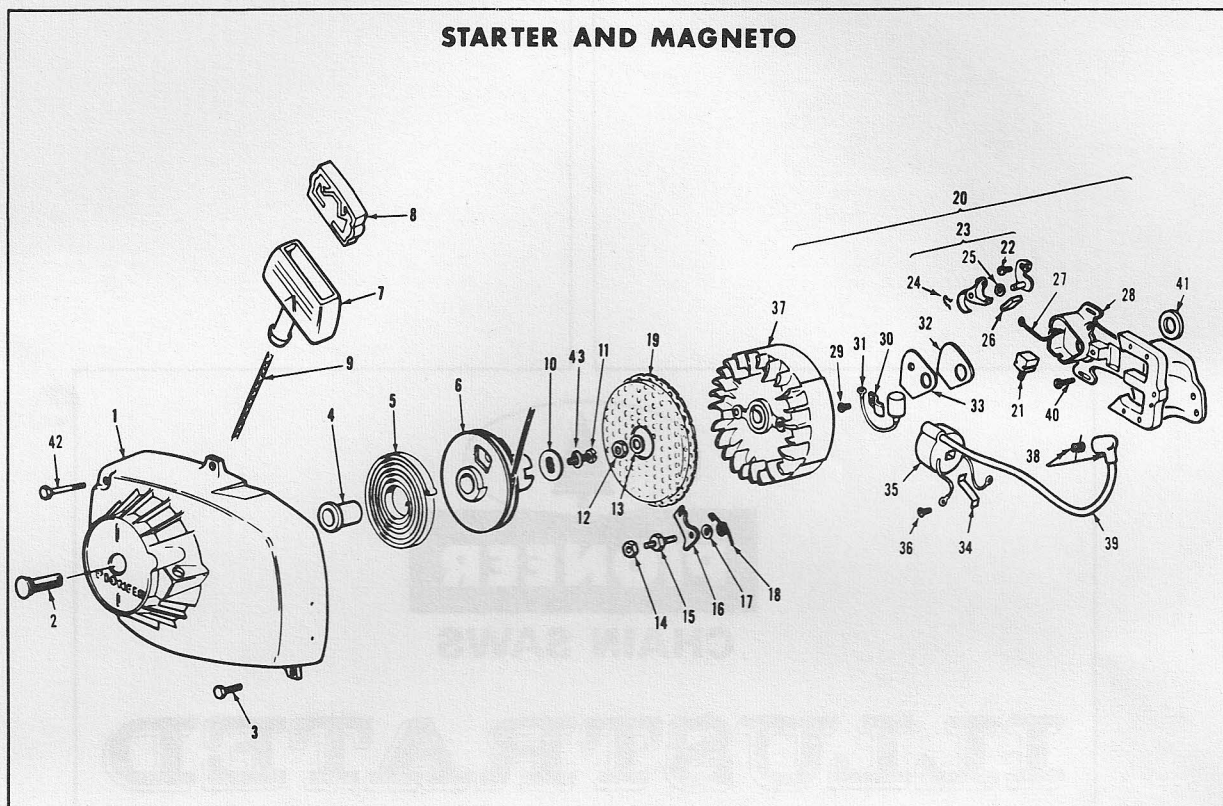
PIONEER SAWS, PETERBOROUGH, ONTARIO, CANADA;
LINCOLN, NEBRASKA, U.S.A.

LITHO U.S.A.

**MODEL
11-10**

PART NO. 430252 11-72

MODEL 11-10

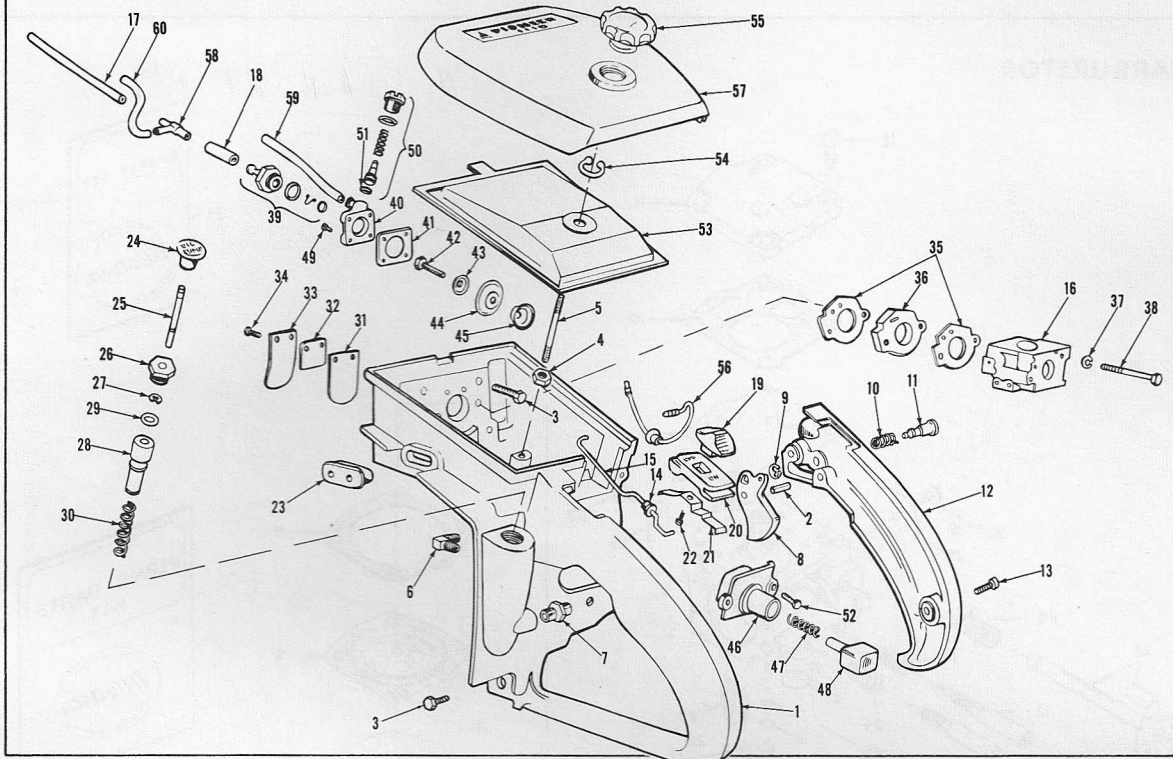


STARTER AND MAGNETO PARTS LIST

Ref. No.	Part No.	Description	Qty. Req'd.	Ref. No.	Part No.	Description	Qty. Req'd.
1	471434	Blower Cover Assy.	1	23	471500	. Breaker Point Set	1
2	428104	. Starter Shaft	1	24	425358	. . Breaker Arm Lock	1
3	428094	Screw	2	25	425366	. . Thrust Washer	1
4	427770	Bearing Bushing	1	26	427758	. . Felt	1
5	471588	Starter Spring (Pkg.)	1	27	425698	. Spring	1
6	471371	Starter Pulley Assy.	1	28	427752	. Stator Plate & Core	1
7	602773	Handle	1	29	425948	. Screw	1
8	427492	Anchor	1	30	427754	. Condenser Clamp	1
9	426752	Cord	1	31	471354	. Condenser Assembly	1
10	428105	Washer	1	32	427757	. Gasket	1
11	551725	Screw	1	33	427756	. Cover (Breaker Box)	1
12	427826	Locknut	1	34	427748	. Coil Wedge Spring	1
13	306405	Washer	1	35	471365	. Coil Assembly	1
14	427914	Nut	2	36	427749	. Coil Grounding Screw	1
15	427763	Pivot	2	37	471362	Flywheel Assembly	1
16	427765	Starter Pawl	2	38	580339	Sparky Assembly	1
17	202150	Washer	2	39	427745	High Tension Lead	1
18	427764	Spring	2	40	304605	Screw	3
19	427766	Rotating Screen	1	41	427917	Felt Washer	1
20	471499	Stator Assembly	1	42	428093	Screw	2
21	471364	. Terminal Connection	1	43	306398	Lockwasher	1
22	471366	. Contact Clamp Screw	1				

MODEL 11-10

OUTER ASSEMBLIES



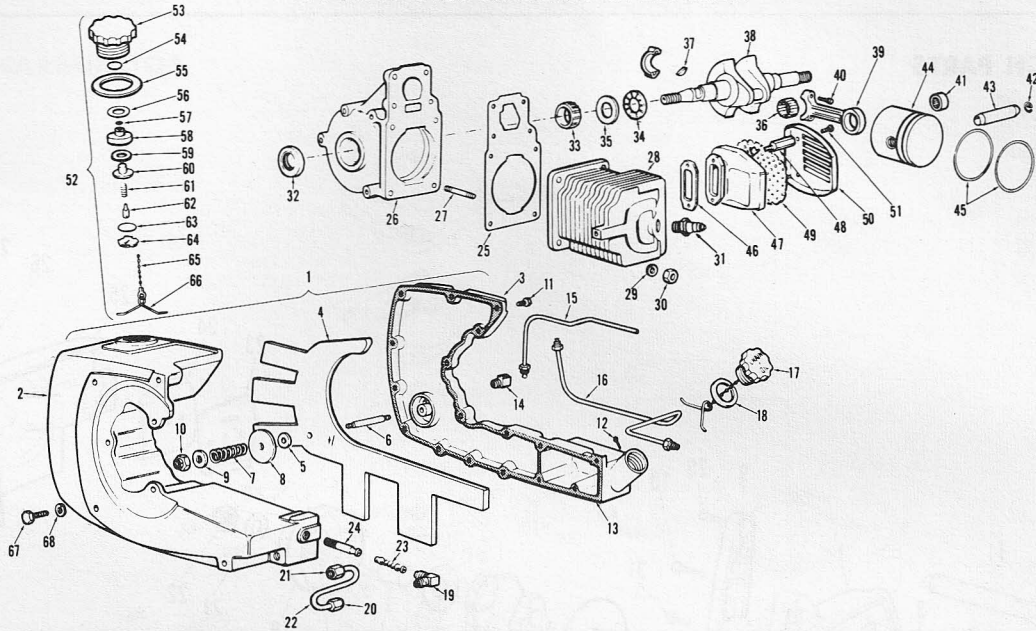
OUTER ASSEMBLIES PARTS LIST

Ref. No.	Part No.	Description	Qty. Req'd.	Ref. No.	Part No.	Description	Qty. Req'd.
1	471346	Rear Handle Assembly	1	31	427700	Reed Valve	1
2	308016	Roll Pin - Trigger	1	32	427701	Reed Support Plate	1
3	313031	Screw	5	33	427702	Reed Backing Plate	1
4	130728	Nut	1	34	428335	Screw	2
5	427837	Stud	1	35	427722	Gasket	2
6	471478	Outlet Valve Assembly	1	36	427723	Insulating Block	1
7	471348	Inlet Valve Assembly	1	37	120052	Lockwasher	2
8	427696	Throttle Trigger	1	38	427785	Screw	2
9	309623	Retainer Clip	1	*	472314	Primer Ass'y Comp. in- cludes Parts Marked †	
10	427816	Spring - Throttle Lock	1	39	471375	†Inlet Valve Housing Assy.	1
11	427815	Pin - Throttle Lock	1	40	471352	†Body & Fitting	1
12	427697	Rear Handle Cover	1	41	427715	†Gasket	1
13	307613	Screw Handle Cover	2	42	426821	†Screw No. 6-20	1
14	427698	Grommet - Throttle Link	1	43	426926	†Cup - Washer	1
15	427699	Throttle Link	1	44	426815	†Diaphragm	1
16	471398	Carburetor Complete	1	45	426818	†Cup - Diaphragm	1
17	427716	Fuel Hose	1	46	427711	†Cover	1
18	427717	Fuel Hose	1	47	427800	†Spring - Primer Button	1
19	427128	Switch Button	1	48	427712	†Button	1
20	427822	Switch Body	1	49	307398	†Screw	2
21	427823	Switch Spring	1	50	470729	†Exit Valve Assy.	1
22	426662	Screw - Self Tapping	1	51	308528	†"O" Ring	2
23	427703	Grommet Hi-Lo	1	52	200832	Screw	2
24	427704	Button - Oiler	1	53	471355	Air Filter Element	1
25	427705	Push-Rod	1	54	427726	Retaining Ring - Knob	1
26	427706	Cap - Oil Pump	1	55	471357	Knob Assembly	1
27	427788	Retaining Clip	1	56	471368	Switch Wire Assembly	1
28	427098	Plunger - Oiler	1	57	471438	Cover & Decal	1
29	427360	"O" Ring	1	58	427896	Tee - Fuel Hose	1
30	427925	Spring - Plunger	1	59	427718	Primer Hose	1
				60	427897	Fuel Hose	1

* Not Shown

MODEL 11-10

PICKUP ASSEMBLIES & ENGINE

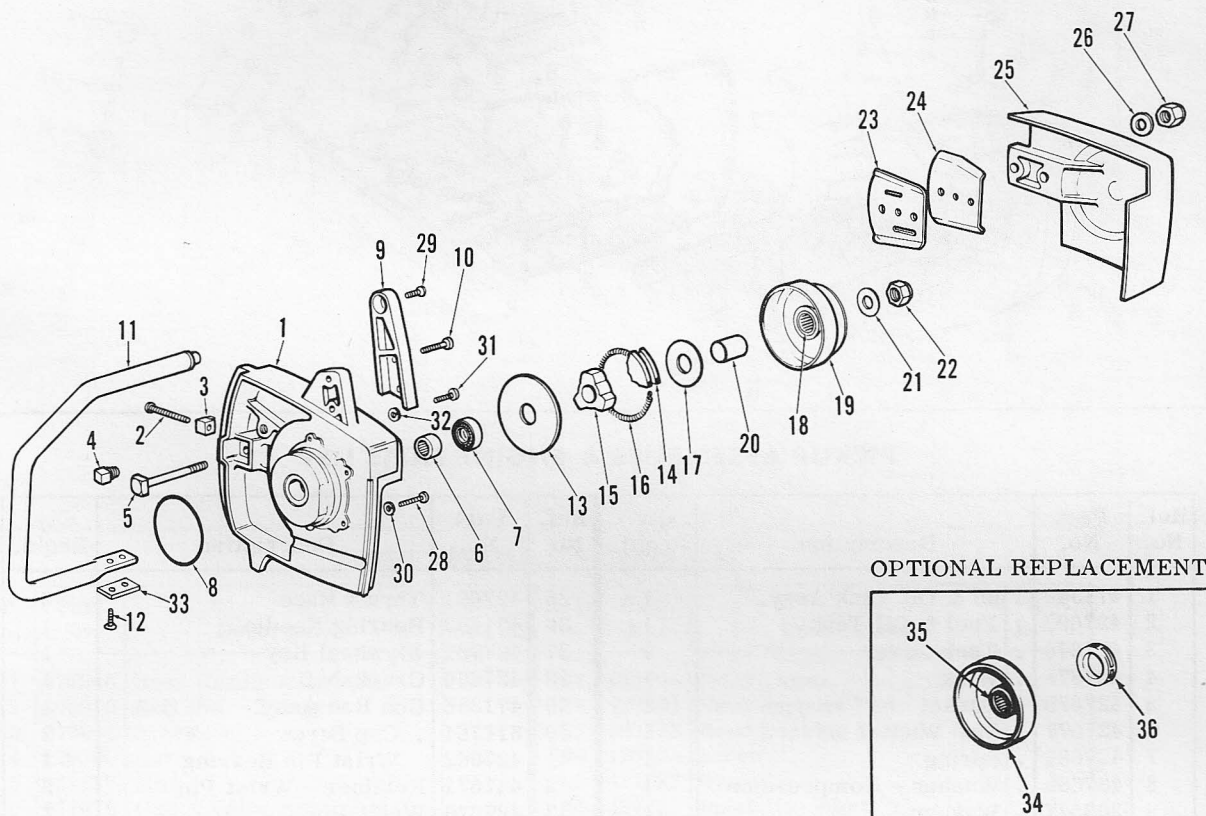


PICKUP ASSEMBLIES & ENGINE PARTS LIST

Ref. No.	Part No.	Description	Qty. Req'd.	Ref. No.	Part No.	Description	Qty. Req'd.
1	471340	Fuel & Oil Tank Assy.	1	35	427661	Thrust Race	2
2	427682	. Fuel & Oil Tank	1	36	471493	Bearing Needle	1
3	427676	. Tank Cover	1	37	427781	Flywheel Key	1
4	427678	. Wick	1	38	427660	Crankshaft	1
5	427679	. Gasket	1	39	471336	Con Rod Assy.	1
6	427677	. Stud Wick	1	40	311761	. Cap Screw	2
7	427681	. Spring	1	41	427662	. Wrist Pin Bearing	1
8	427680	. Washer - Compression	1	42	427671	Retainer - Wrist Pin	2
9	306547	. Washer	1	43	427670	Wrist Pin	1
10	425911	. Locknut	1	44	471338	Piston With Roll Pin	1
11	428358	. Screw	17	45	471339	Piston Ring Kit	1
12	306370	. Cotter Pin	1	46	427799	Gasket - Muffler	1
13	428016	. Gasket	1	47	471376	Muffler Body	1
14	427997	Fitting	1	48	427798	Stud - Muffler	2
15	471527	Fuel Line	1	49	427796	Baffle Plate - Muffler	1
16	471528	Oil Line	1	50	427797	Cover - Muffler	1
17	471343	Oil Filler Cap & Gasket Assembly	1	51	305230	Screw - Muffler	2
18	427689	. Gasket	1	52	471344	Gas Cap Assembly	1
19	427791	Fitting	1	53	471327	. Gas Cap Body	1
20	306347	Ball Sleeve Nut	2	54	427993	. Filter - Disc	1
21	306346	Ball Sleeve	2	55	425087	. Gasket - Gas Cap	1
22	427719	Oil Line	1	56	427273	. Gasket - Valve Body	1
23	428337	Hose	1	57	427281	. "O" Ring	1
24	471342	Pickup Body Assembly	1	58	427276	. Body - Valve	1
25	427672	Gasket (Crankcase)	1	59	427274	. Valve - Vacuum	1
26	471333	Crankcase Assembly	1	60	427275	. Backing Plate	1
27	426642	. Stud	4	61	427280	. Spring	1
28	427673	Cylinder	1	62	427279	. Stem - Valve	1
29	306396	Lockwasher	4	63	427994	. Filter - Disc	1
30	306397	Nut	4	64	427278	. Cover	1
31	428006	Spark Plug CJ8	1	65	427277	. Bead Chain	1
32	427656	Seal	1	66	427213	. Lock Spring	1
33	427657	Bearing	1	67	130600	Screw	3
34	427782	Thrust Bearing	2	68	304145	Lockwasher	3

MODEL 11-10

CLUTCH PARTS

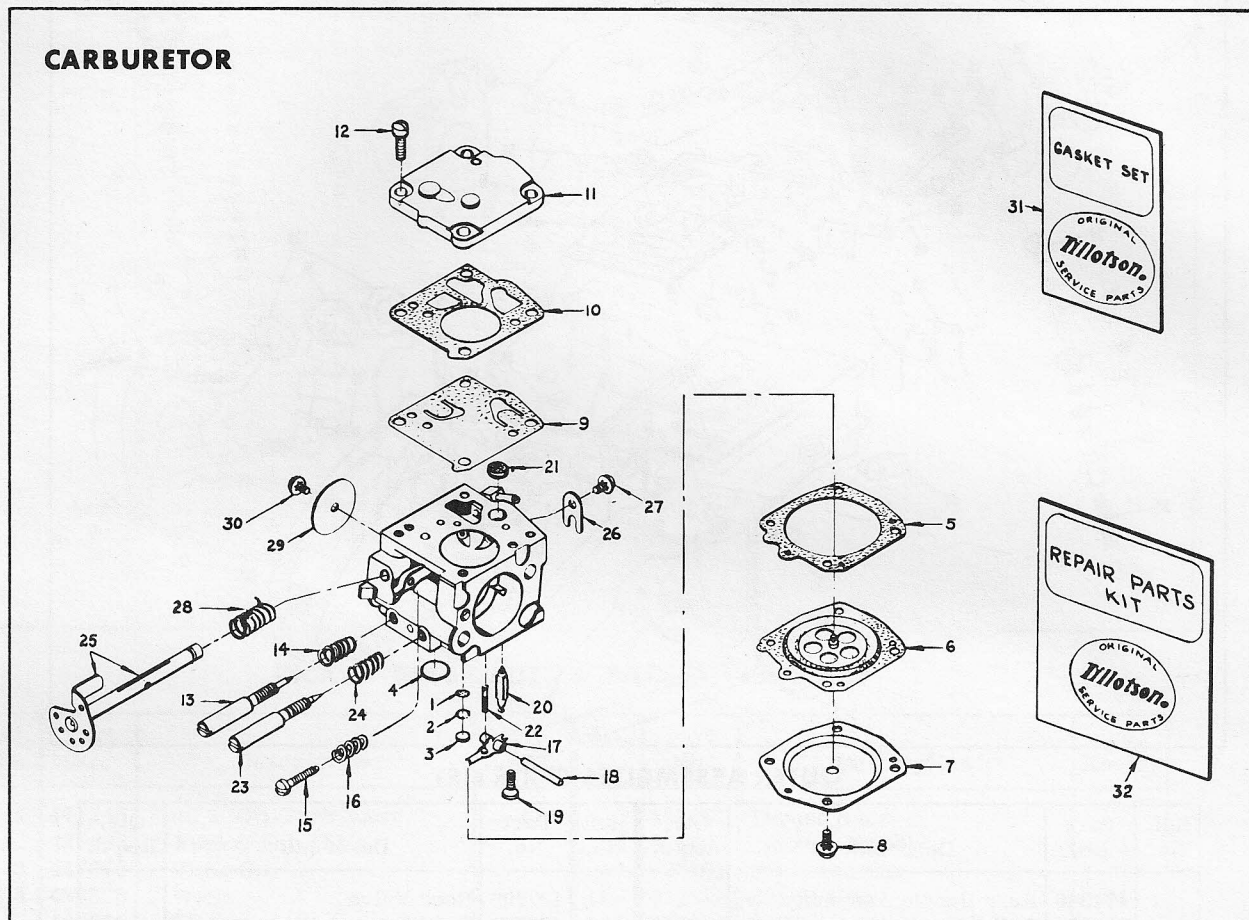


CLUTCH PARTS LIST

Ref. No.	Part No.	Description	Qty. Req'd.	Ref. No.	Part No.	Description	Qty. Req'd.
1	471334	Bearing Carrier Assembly	1	19	425091	Bearing	1
2	201767	. Screw - (Chain Adjust)	1	20	427742	Inner Race	1
3	425672	. Pin - (Chain Adjust)	1	21	427743	Outer Thrust Washer	1
4	427997	Elbow - Oiler	1	22	427826	Locknut - Clutch Side	1
5	427659	Bolt - Cutter Bar	2	23	427775	Inner Guide Plate	1
6	427657	Bearing Crankshaft	1	24	427776	Outer Guide Plate	1
7	427656	Oil Seal	1	25	427777	Strut	1
8	427667	"O" Ring	1	26	425116	Washer - Strut Nut	2
9	427778	Front Handle Bracket	1	27	425031	Nut - Strut Bolt	2
10	304606	Screw	2	28	550415	Screw	2
11	471372	Front Handle Bar Assy.	1	29	304606	Screw	1
12	304606	Screw	2	30	120052	Lockwasher	2
13	427734	Cover - Clutch	1	31	130600	Screw	3
14	427736	Clutch Shoe	3	32	304145	Lockwasher	3
15	427735	Clutch Driver	1	33	428000	Plate	1
16	426964	Garter Spring	1	34	471399	Clutch Drum Assy.	1
17	427737	Inner Thrust Washer	1	35	425091	. Bearing	1
18	471508	Sprocket Assy. W. Bearing	1	36	471563	Rim Segment	1

MODEL 11-10

CARBURETOR



CARBURETOR PARTS LIST

Ref. No.	Part No.	Description	Qty. Req'd.	Ref. No.	Part No.	Description	Qty. Req'd.
*	471398	Carburetor Assembly	1	†17	427953	Inlet Control Lever	1
1	427942	. Body Channel Screen	1	†18	427954	. Inlet Pinion Pin	1
2	427943	. Screen Ret. Ring	1	†19	427962	. Pin Ret. Screw	1
†3	427944	. Welch Plug (Small)	1	†20	427952	. Inlet Needle	1
†4	427948	. Welch Plug (Large)	1	†21	427951	. Inlet Screen	1
×5	427950	. Diaphragm Gasket	1	†22	425498	. Inlet Tension Spring	1
†6	471374	. Diaphragm Assembly	1	†23	427960	. Main Adjustment Screw	1
7	427956	. Diaphragm Cover	1	†24	425449	. Adjustment Screw Spring	1
8	426145	. Screw & Lockwasher	4	25	471380	. Throttle Shaft & Lever	1
†9	427941	. Fuel Pump Diaphragm	1	26	427957	. Throttle Shaft Clip	1
×10	427940	. Fuel Pump Gasket	1	27	427947	. Clip Ret. Screw	1
11	427939	. Fuel Pump Cover	1	†28	427961	. Return Spring	1
12	427955	. Screw & Lockwasher	4	29	425966	. Throttle Shutter	1
†13	427959	. Idle Adjustment Screw	1	†30	427947	. Screw & Lockwasher	1
†14	425449	. Screw Spring	1	†31	471496	Gasket & Packing Set	1
†15	427963	. Idle Speed Screw	1	32	471497	Repair Parts Kit	1
†16	427946	. Spring	1				

*Not shown

†Included in Part No. 471497 Repair Parts Kit

×Included in Part No. 471496 Gasket and Packing Set