

25 CENTS



PIONEER

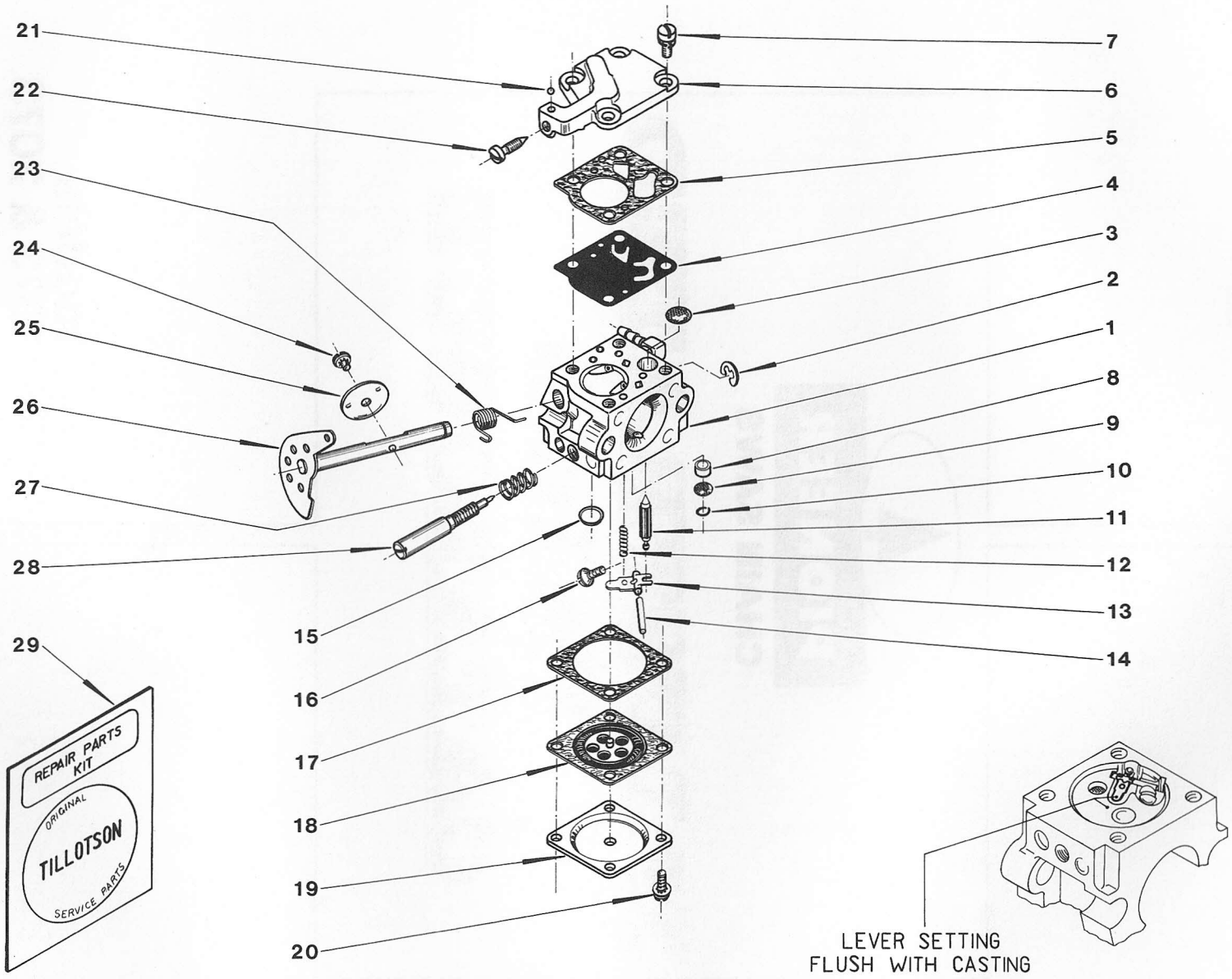
CHAIN SAWS

**ILLUSTRATED
PARTS
CATALOGUE**

**models
1073 & 2073**

PART NO. 430065



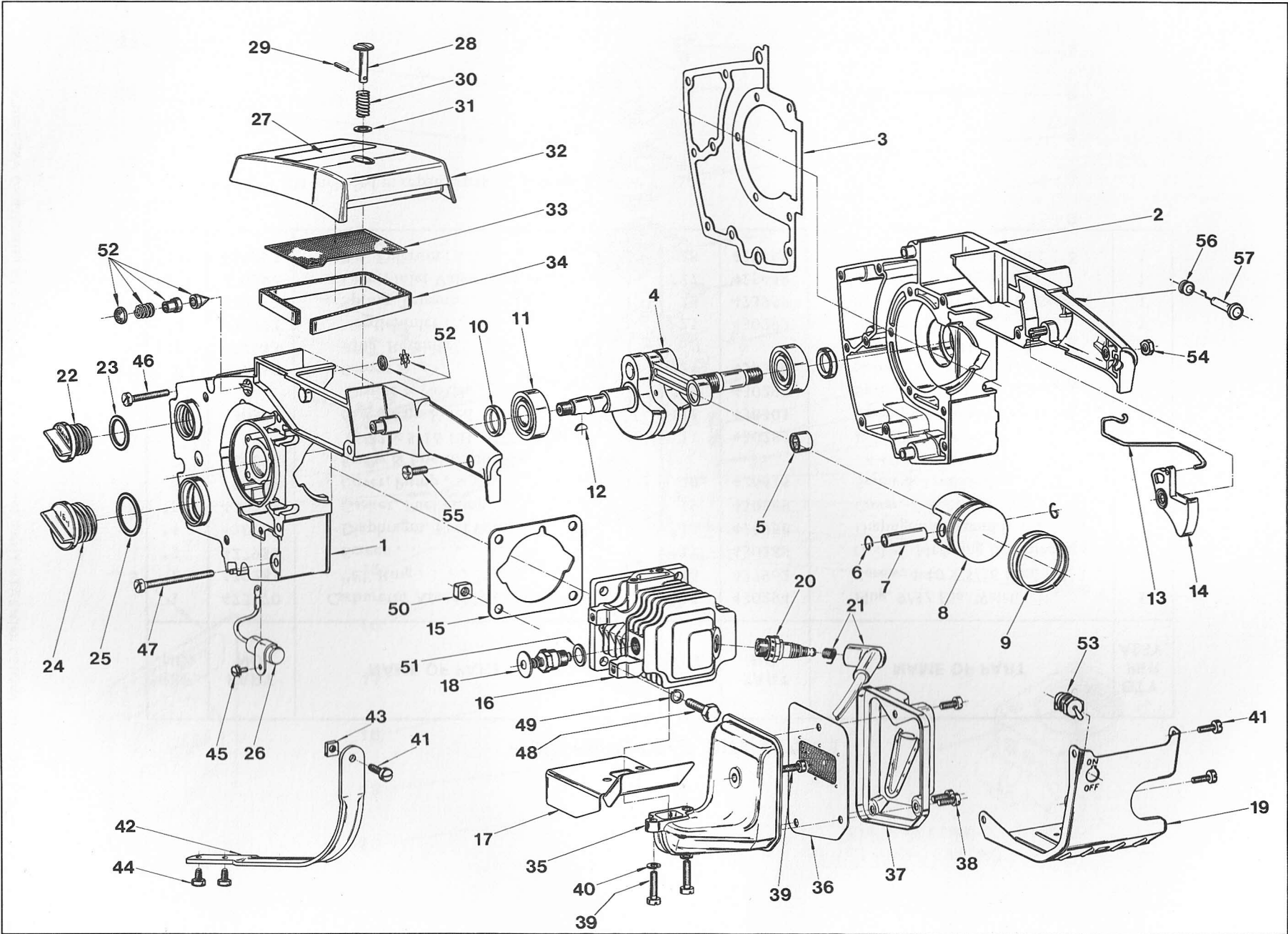


PIONEER MODELS 1073, 2073

REF. NO.	PART NO.	NAME OF PART	QTY. PER ASSY.	REF. NO.	PART NO.	NAME OF PART	QTY. PER ASSY.
1	473870	Carburetor Assembly Complete . .	1	*15	430294	. Plug, 9/32 Dia. Welch	1
2	430281	. "E" Ring	1	*16	427962	. Screw, 4-40 x 5/16 Oval Hd. . .	1
*3	427951	. Screen	1	*17	430288	. Gasket, Metering Diaphragm . .	1
*4	430290	. Diaphragm, Fuel Pump	1	*18	473958	. Diaphragm Assembly	1
*5	430291	. Gasket, Fuel Pump	1	19	430289	. Cover, Diaphragm	1
6	430298	. Cover, Pump	1	20	426415	. Screw & Lockwasher, 4-40 x 1/4 RD. HD.	4
7	430296	. Screw & Lockwasher (6-32 x 5/16 FIL. HD.)	4	21	430285	. Ball 3/32 DIA Nylon	1
8	430302	. Cage, Main Fixed - Orifice & Nozzle	1	*22	430301	. Screw, Idle Spped Regulating . .	1
9	427942	. Screen	1	*23	430299	. Spring, Throttle Return	1
10	427943	. Ring, Retainer	1	*24	430280	. Screw & Lockwasher, 4-40 x 3/16 RD. HD.	1
11	427952	. Needle, Inlet	1	25	430292	. Shutter, Throttle	1
*12	430293	. Spring, Tension	1	26	473959	. Throttle Shaft & Lever Assy. . .	1
*13	430297	. Lever, Inlet Valve Control	1	*27	425449	. Spring Adjusting Screw	1
*14	430295	. Pin, Fulcrum	1	28	430300	. Screw, Idle Adjustment	1

* NOTE: Parts included in repair parts kit part no. 473960

INDENTED PART NAMES INDICATE THAT THESE PARTS ARE INCLUDED IN PRECEDING ASSEMBLY
 ORDER ALL PARTS FROM YOUR LOCAL AUTHORIZED DEALER



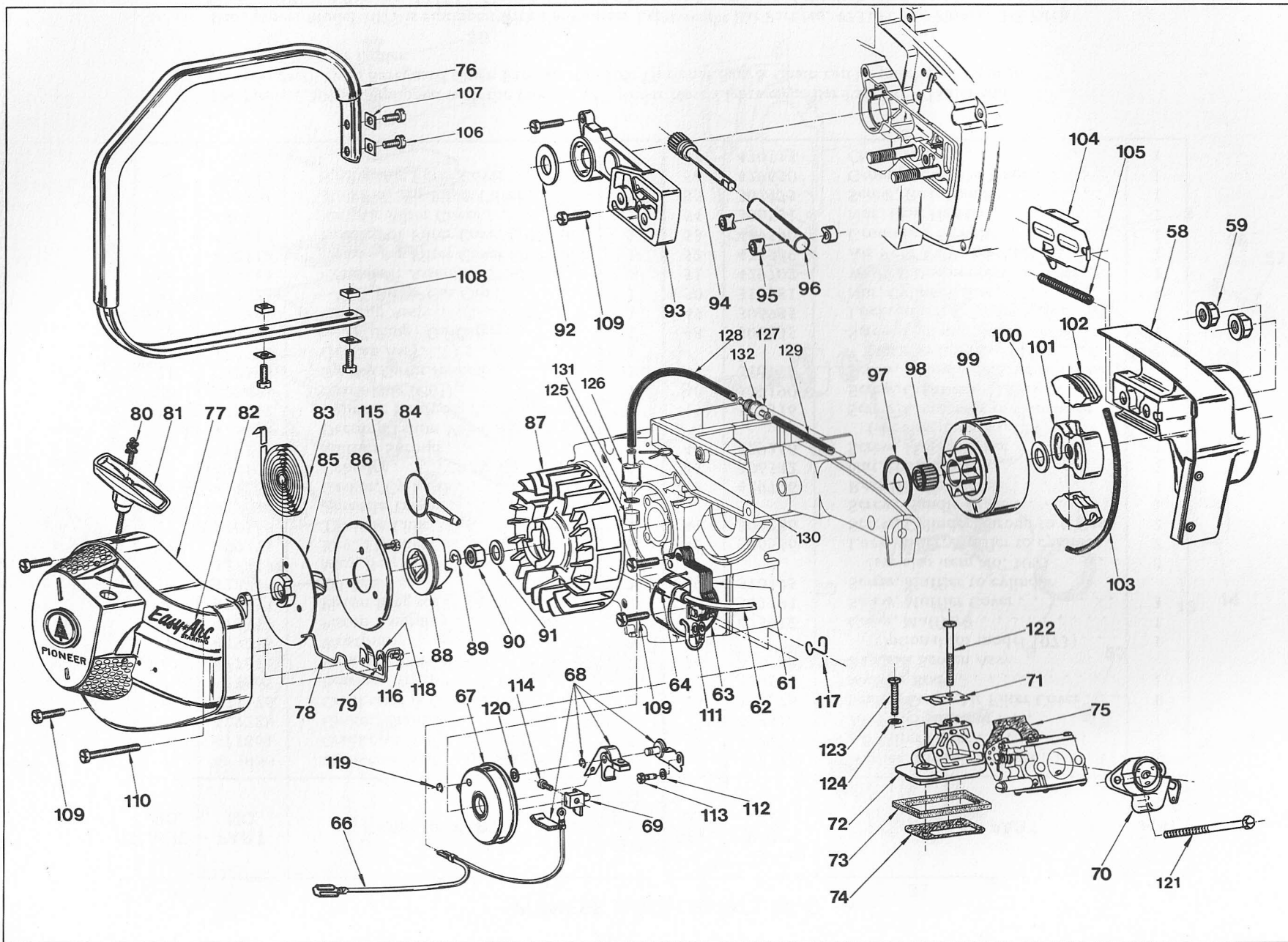
PIONEER MODELS 1073, 2073

REF. NO.	PART NO.	NAME OF PART	QTY. PER ASSY.	REF. NO.	PART NO.	NAME OF PART	QTY. PER ASSY.
1	473860	Crankcase Half Assy., Mag. Side .	1	31	430112	Washer, Air Filter Cover	1
2	473861	Crankcase Half Assy., Strut Side .	1	32	430114	Air Filter Cover	1
3	429228	Gasket, Crankcase	1	33	429310	Air Filter Element	1
4	473176	Crankshaft & Conrod Assy.	1	34	429276	Sealing Strip, Air Filter Cover . . .	1
5	427662	Bearing, Wristpin	1	35	429593	Muffler Body	1
6	427671	Retainer, Wristpin	2	36	473916	Baffle & Screen Assy. (Optional for model 1073) . . .	1
7	429216	Wristpin	1	37	473912	Cover, Muffler	1
8	473150	Piston Assembly	1	38	307193	Screw, Muffler Cover	3
9	473155	Piston Ring set	1	39	510195	Screw, Muffler to cylinder (see also item No. 109)	3
10	428746	Oil Seal	2	40	306546	Lockwasher, Muffler to cylinder .	2
11	427849	Main Bearing	2	41	306286	Screw, Cylinder Shroud to C'Case	2
12	429271	Key, Flywheel	1	42	429726	Screw, Handle Brace	1
13	430119	Throttle Link	1	43	306542	Rear Handle Brace	1
14	427696	Throttle Trigger	1	44	429266	Nut, Handle brace	1
15	429262	Gasket, Cylinder	1	45	311516	Screw, Handle Brace (see also item No. 114)	2
16	430107	Cylinder	1	46	311516	Screw, Condenser to Crankcase . .	1
17	429309	Muffler Shroud	1	47	307190	Screw, Crankcase Halves	13
18	473524	Decompression Valve Assy.	1	48	316133	Screw, Cylinder Shroud to C'case (see also item no. 110)	1
19	429852	Cylinder Shroud	1	49	300635	Screw, Cylinder Base	4
20	428601	Spark Plug (C6J)	1	50	306985	Lockwasher, Cylinder Base	4
21	580339	Sparky Cover Assembly	1	51	315381	Nut, Cylinder Base	4
22	473770	Oil Cap Assy.	1	52	429702	Washer, Decompression Valve . . .	1
23	429324	. "O" Ring - Oil Cap	1	53	473589	Air Vent Valve (packaged)	1
24	473769	Gas Cap Assy.	1	54	429590	Grounding Switch	1
25	429322	. "O" Ring - Gas Cap	1	55	306531	Nut, Rear Handle	1
26	473161	Condenser Assembly	1	56	307175	Screw, Rear Handle	1
27	430118	Decal - Air Filter Cover (2073 only)	1	57	429650	Grommet, Choke Knob	1
27	430117	Decal - Air Filter Cover (1073 only)	1		430113	Choke Knob	1
28	430111	Pin, Air Filter Cover	1				
29	309301	Roll Pin, Air Filter Cover	1				
30	430115	Spring, Air Filter Cover	1				

INDENTED PART NAMES INDICATE THAT THESE PARTS ARE INCLUDED IN PRECEDING ASSEMBLY
 ORDER ALL PARTS FROM YOUR LOCAL AUTHORIZED DEALER

The Pioneer 2073 is equipped with the Pioneer 16" Roller Nose Lightweight Bar Part No. 473394 and Pioneer .298" Pitch Sureguard Chain Part No. 473305. Optional Bars & Chain can be purchased through your local Pioneer Dealer.

The Pioneer Model 1073 is equipped with the Pioneer Lightweight Bar Part No. 473141 and Pioneer 3/8 Pitch Sureguard Chain Part No. 471833. Optional Bars & Chain can be purchased through your local Pioneer Dealer.



PIONEER MODELS 1073, 2073

REF. NO.	PART NO.	NAME OF PART	QTY. PER ASSY.	REF. NO.	PART NO.	NAME OF PART	QTY. PER ASSY.
58	473619	Stur Assembly	1	99	473156	Sprocket & Clutch Drum Assy.	1
59	429903	Flange Nut	2			with bearing (model 1073 only)	1
61	473341	Core Assembly	1	100	429252	Thrust Washer, Outer Clutch	1
62	427745	H.T. Lead	1	101	429250	Clutch Driver	1
63	473340	Coil with H.T.	1	102	429251	Clutch Shoe	2
64	429422	Retainer	1	103	426964	Garter Spring	1
66	473627	Switch Wire Assembly	1	104	429580	Chain Adjuster (model 2073 only)	1
67	429929	Ignition Cover	1	105	429581	Spring, Chain Adj. (model 2073 only)	1
68	473750	Breaker Point Set with Wiper	1	106	510338	Screw, Front Handle	4
69	429925	Terminal Block	1	107	429472	Washer, Front Handle	4
70	473858	Blowback Tube & Choke Assy.	1	108	306542	Nut, Front Handle	2
71	430110	Bracket, Air Filter Cover	1	109	510195	Screw, Bar Pad to Crankcase	2
*	473865	Insulating Block Assy. Complete	1			Screw, Blower Cover to C'case	2
72	430105	● Insulating Block	1			Screw, Blower Cover to C'case	2
73	429305	● Seal - Insulating Block	1			Screw, Coil Lamination	2
74	430102	● Gasket - Cyl. to Intake	1			(see also item No. 39)	
75	430103	● Gasket - Insulating Bl. to Carb.	1	110	316133	Screw, Blower Cover to C'case	
76	473175	Front Handle Assembly	1			(see also item no. 47)	1
77	473635	Blower Cover & Screen Assy.	1	111	300154	Washer, Lamination	1
78	429573	Lever, Decompression Valve	1	112	303497	Washer, Base Breaker Plate	1
79	429575	Spring, Lever	1	113	429928	Screw, Base Breaker Plate	1
80	429278	Starter Rope	1	114	429266	Screw, Terminal	
81	429549	Starter Handle	1			(see also item no. 44)	1
82	429584	Decal "Easy* Arc"	1	115	602821	Screw, Plate, Pulley	3
83	604257	Starter Spring	1	116	309467	Screw, Decompression Valve	2
84	473637	Yoke Assy.	1	117	430052	Clip Assy., H.T. Lead	1
85	429242	Starter Pulley	1	118	308507	Washer, Decompression	1
86	429243	Plate, Pulley	1	119	202755	Retaining Ring, Breaker Pin	1
87	473160	Flywheel Assembly	1	120	429927	Seal, Breaker Housing	1
88	429892	Pinion	1	121	318521	Screw, Carburetor	2
89	429246	Retaining Ring	1	122	316781	Screw, Insulating Block	1
90	404837	Nut, Flywheel	1	123	305879	Screw, Insulating Block	1
91	429851	Washer, Flywheel	1	124	305863	Washer, Insulating Block	1
92	427917	Seal Washer	1	125	473459	Fuel Pick-up Assembly	1
93	429724	Bar Pad	1	126	425670	Felt - Pickup	1
94	473166	Plunger Assembly, Oil Pump	1	127	473772	Connector ass'y.-Pickup Head to Tank Wall	1
95	429274	Spacer, Oil Pump	3				
96	473869	Pump Sleeve Assy., Oil Pump	1	128	429677	Fuel Line - Pickup Head	1
97	429672	Thrust Washer, Inner Clutch	1	129	430106	Fuel Line - Tank to Carb.	1
98	429526	Bearing, Clutch	1	130	429471	Clamp	1
99	473447	Sprocket & Clutch Drum Assy.	1	131	429530	Screen - Fuel - Pickup	1
		(.298 with bearing (model 2073 only)	1	132	305857	"O" Ring - Connector	1

* NOT SHOWN

INDENTED PART NAMES INDICATE THAT THESE PARTS ARE INCLUDED IN PRECEDING ASSEMBLY
ORDER ALL PARTS FROM YOUR LOCAL AUTHORIZED DEALER