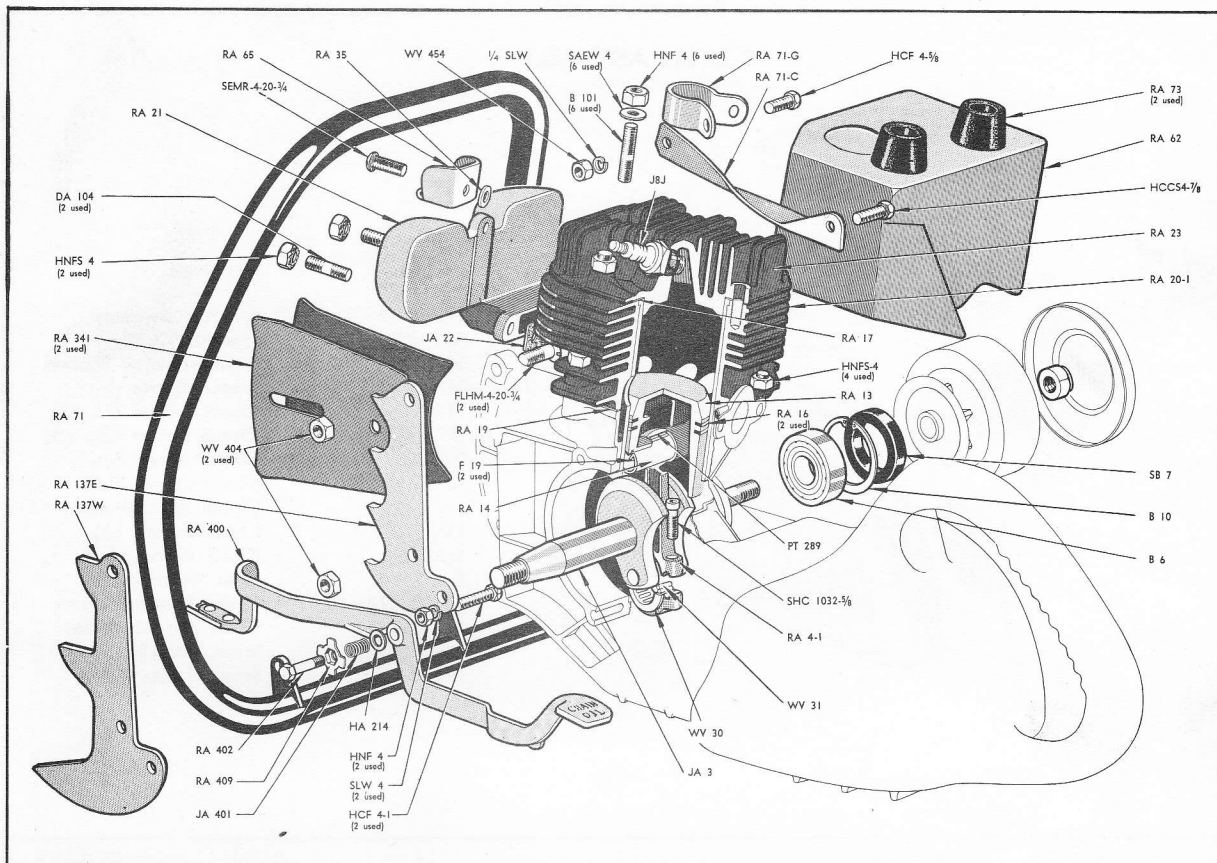


# MODEL RA

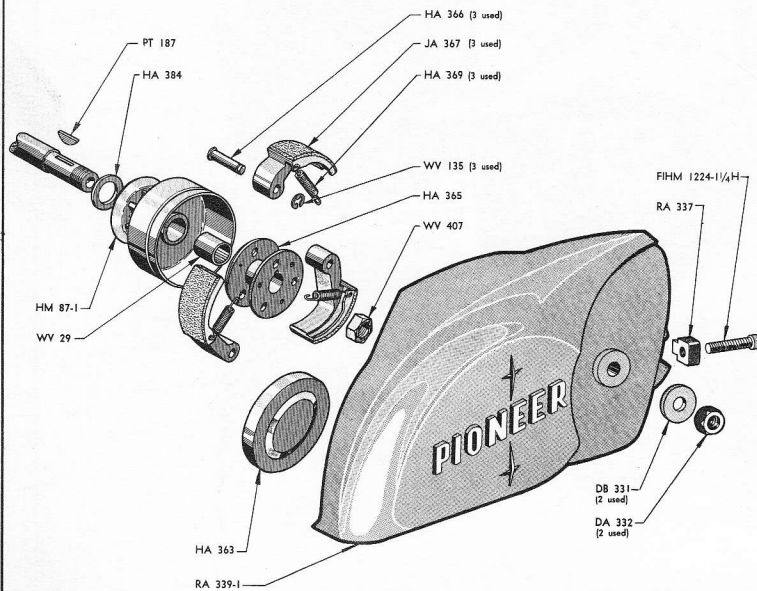


## ENGINE

Part No.	Part Name	Part No.	Part Name
RA 20-1	Cylinder	SLW 4	Front Handle Washer (2)
DA 104	Exhaust Stud (2)	HNF 4	Front Handle Nut (2)
B 101	Head Stud (6)	RA 62	Inner Shroud
RA 19	Cylinder Base Gasket	RA 73	Bumpers (2)
HNFS 4	Cylinder Base Nut (4)	RA 341	Guide Plate (2)
RA 23	Cylinder Head	RA 137W	Pivot Grip (Western)
RA 17	Cylinder Head Gasket	RA 137E	Pivot Grip (Eastern)
SAEW 4	Cylinder Head Washer (6)	FLHM-4-20-3/4	Pivot Grip Screws (2)
HNF 4	Cylinder Head Nut (6)	WV 404	Pivot Grip Nut (2)
J8J	Spark Plug	WV 454	Brace Clamp Locknut
RA 13	Piston	1/4 SLW	Forward Brace Lockwasher
RA 16	Piston Ring (2)	RA 400	Oiler Lever Assembly
RA 14	Wrist Pin	RA 409	Oiler Lever Pinlock
F 19	Wrist Pin Retainer (2)	RA 402	Oiler Lever Pin
RA 4-1	Connecting Rod	JA 401	Oiler Lever Spring
SHC 1032-5/8	Socket Head Cap Screw (2)	HA 214	Oiler Lever Washer
PT 289	Needle Bearing	RA 21	Exhaust Body
WV 31	Loose Needle (12)	JA 22	Exhaust Gasket
WV 30	Bearing Cage	HNFS-4	Exhaust Nut (2)
JA 3	Crankshaft	RA 65	Latch, Trunnion
B 6	Main Bearing	SEMR 4-20-3/4	Exhaust Screw
SB 7	Drive End Seal	RA 35	Exhaust Insulating Washer
B 10	Clip Ring	RA 71-1	Front Handle Complete
HCCS 4-7/8	Forward Brace Bolt	RA 71	Front Handle Only
HCF 4-5/8	Brace Clamp Bolt	RA 71-C	Front Handle Forward Brace
HCF 4-1	Front Handle Bolt (2)	RA 71-G	Front Handle Brace Clamp

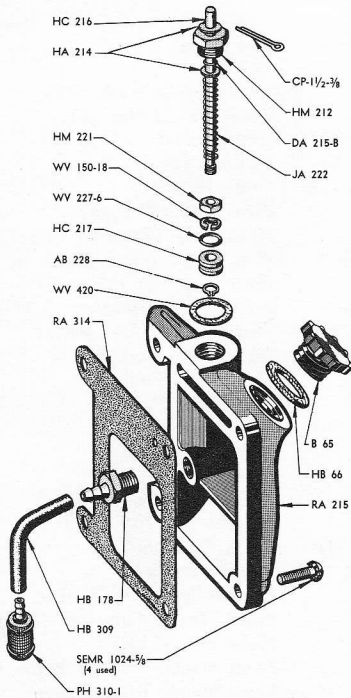
# MODEL RA

## CLUTCH ASSEMBLY



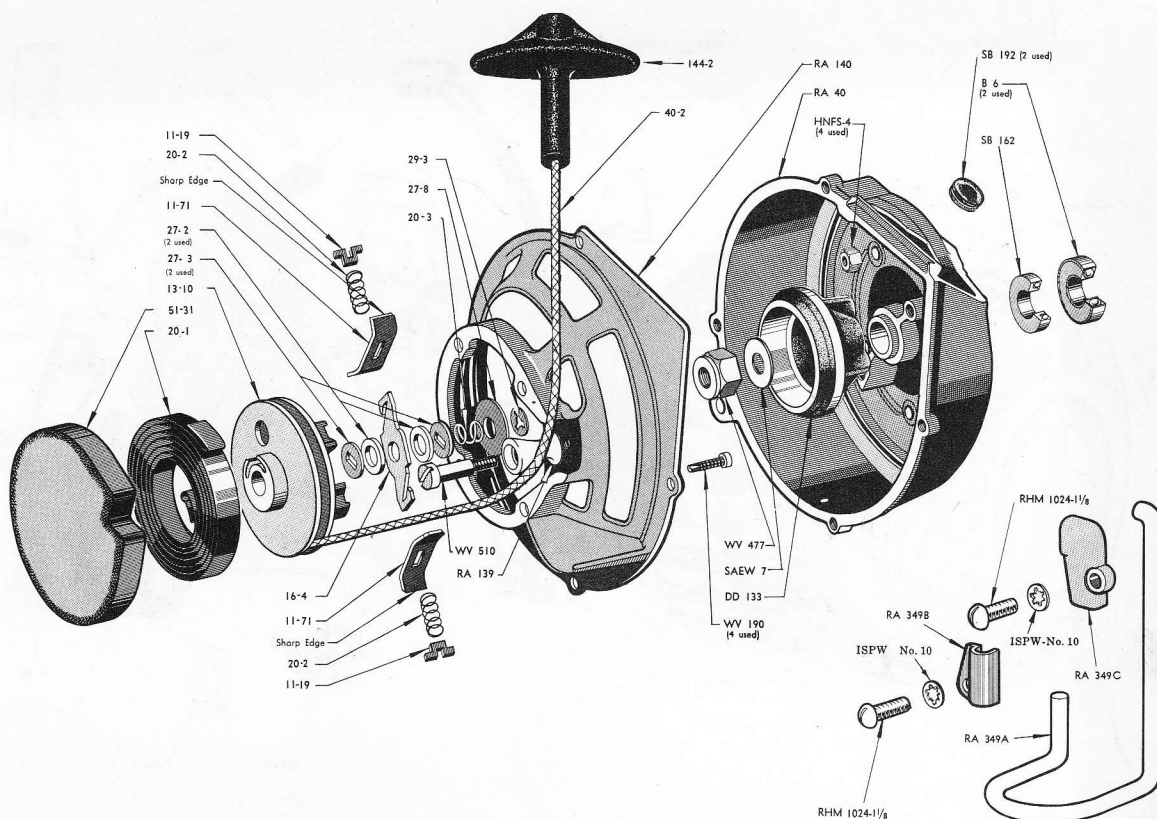
Part No.	Part Name
HM 87-1	Sprocket Assembly
WV 29	Sprocket Bearing
HA 384	Inside Sprocket Washer
HA 365	Clutch Driver
HA 366	Clutch Driver Pin (3)
WV 135	Clutch Driver Clip (3)
PT 187	Clutch Driver Key
WV 407	Clutch Driver Nut
JA 367	Clutch Shoe Assembly (3)
HA 369	Clutch Spring (3)
HA 363	Clutch Cover
RA 339-1	Strut Assembly
FIHM 1224-1 $\frac{1}{4}$ H	Chain Adjusting Screw
RA 337	Chain Adjusting Pin
DA 332	Strut Nut (2)
DB 331	Strut Washer (2)

## OIL PUMP



Part No.	Part Name
RA 215-1	Oiler Body Complete (includes parts marked *)
RA 215	*Oiler Body
RA 314	Oiler Body Gasket
SEMR 1024- $\frac{5}{8}$	*Oiler Body Screw (4)
HC 216	*Pump Rod
JA 222	*Pump Rod Spring
HM 221	*Pump Rod Guide
WV 150-18	*Pump Guide Clip
HC 217	*Pump Piston
WV 227-6	*Pump Piston Gland ("O" Ring)
AB 228	*Pump Piston Clip
HM 212	*Gland Nut
WV 420	*Gland Nut Gasket
HA 214	*Gland Washer
DA 215-B	*Gland "O" Ring
CP-1 $\frac{1}{2}$ - $\frac{3}{8}$	*Cotter Pin
HB 178	*Oiler Intake Connector
HB 309	*Oiler Inlet Tube
PH 310-1	*Oiler Pick-up Assembly
B 65	*Oiler Filler Cap Unit
HB 66	Oiler Filler Cap Gasket

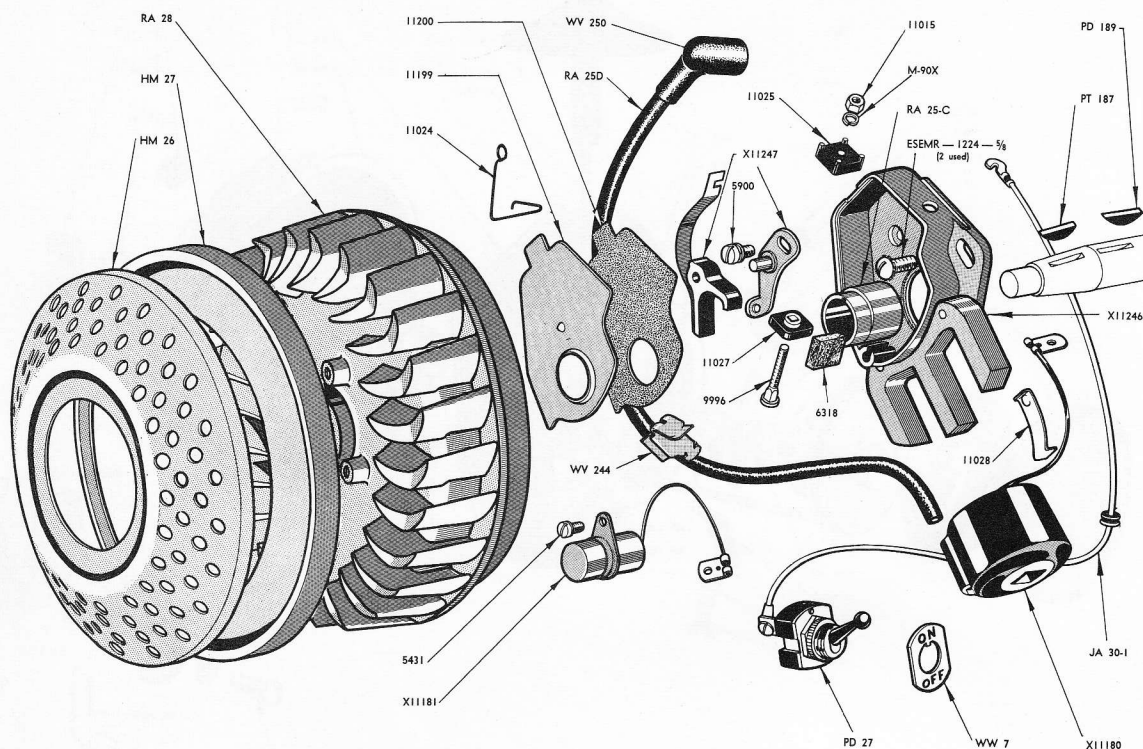
# MODEL RA



## STARTER ASSEMBLY

Part No.	Part Name	Part No.	Part Name
RA 40	Fan Housing	27-2	*Fibre Washer (2)
HNFS-4	Fan Housing Nut (4)	27-3	*Brake Washer (2)
SB 192	Ignition Wire Grommet (2)	13-10	*Rotor Assembly
B 6	Main Bearing (2)	51-31	*Starter Cover
SB 162	Magneto End Seal	20-1	*Rewind Spring
DD 133	Shaft Cup	16-4	*Brake Lever
SAEW 7	Flywheel Washer	29-3	*Clip Ring
WV 477	Flywheel Nut	27-8	*Brake Retainer Washer
RA 140	Starter Adapter	20-3	*Brake Spring
SEMR 1024-3/4	Starter Adapter Screw (4)	111-71	Starter Pawl Assembly consisting of
RA 139	Starter Cord Roller		(1—16-4)
WV 510	Roller Pin		(2—11-19)
HBA 125	Starter Assembly (includes parts marked with *)		(2—20-2)
WV 190	Starter Screw		(2—11-71)
40-2	*Starter Cord	RA 349	Starter Foothold Complete
144-2	*Starter Handle	RA 349A	Starter Foothold
11-19	*Spring Retainer (2)	RA 349C	Upper Bracket
20-2	*Brake Lever Spring (2)	RA 349B	Lower Bracket
11-71	*Friction Shoe Plate (2)	RHM 1024-1/8	Foothold Screw(2)
		ISPW No.10	Foothold Screw Lockwasher (2)

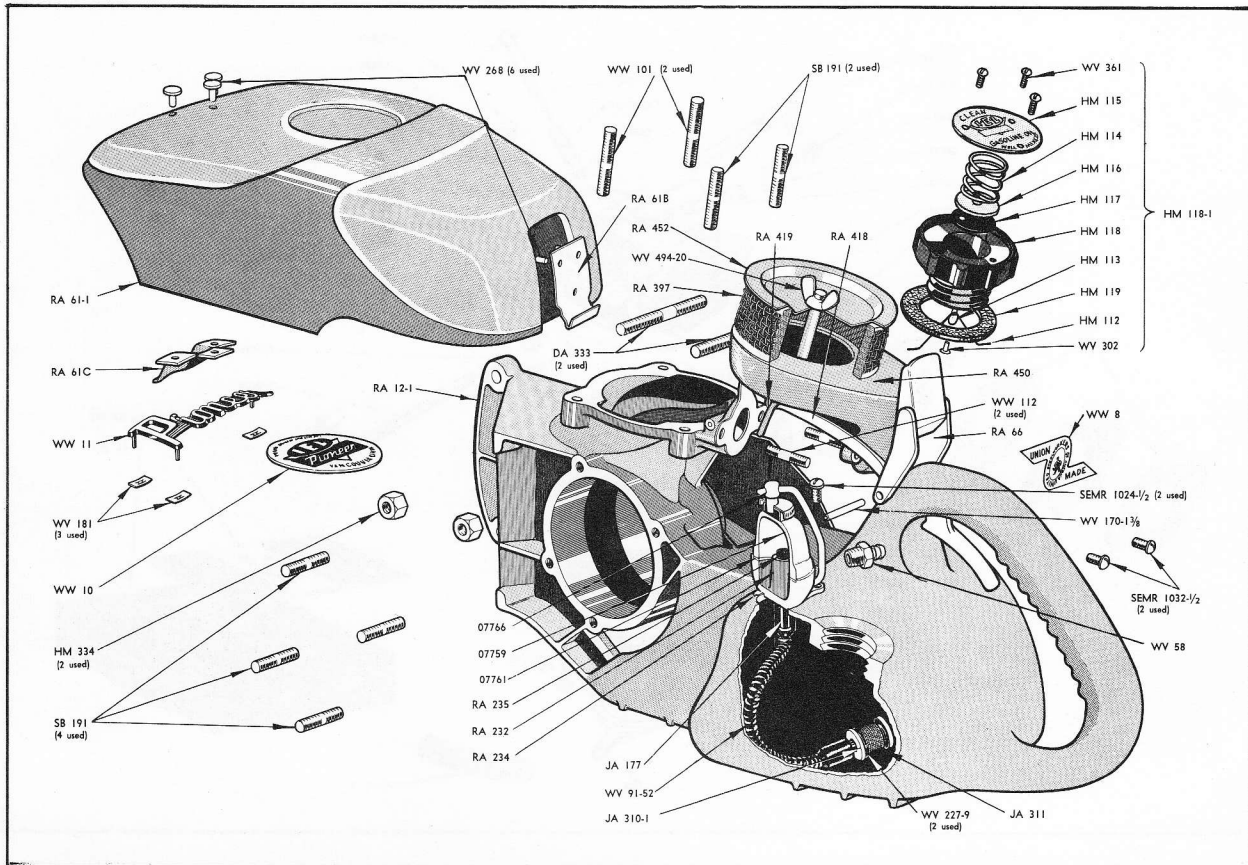
# MODEL RA



## MAGNETO

Part No.	Part Name	Part No.	Part Name
PT 187	Flywheel Key	5900	Fixed Contact Clamp Screw
PD 189	Magneto Cam Key	6318	Cam Wiper Felt
RA 25-C	Magneto Cam	9996	*Connection Stud
RA 25-A	Magneto Stator Complete includes coil, cond., points, etc.	11015	*Connection Stud Nut
ESEMR 1224-5/8"	Magneto Stator Screw (2)	11024	Breaker Box Cover Spring
RA 25D	Ignition Wire	11025	*Connection Stud Insulator (outside)
WV 250	Sparky	11027	*Connection Stud Insulator (inside)
WV 244	Wiring Clip	11028	Coil Wedge Spring
PD 27	Ignition Stop Switch	X11061	Terminal Connection Unit (includes parts marked *)
JA 30-1	Switch Wire Assembly	X11181	Condenser
RA 28	Flywheel	X11180	Coil Group
HM 27	Baffle	11199	Cover
HM 26	Rotary Screen	11200	Gasket
WW 7	On-off Switch Plate	X11246	Stator Plate Group (Stator Plate and Coil Core only)
M-90X	*Connection Stud Nut Lockwasher	X11247	Breaker Point Replacement Set
5431	Condenser Clamp Screw		

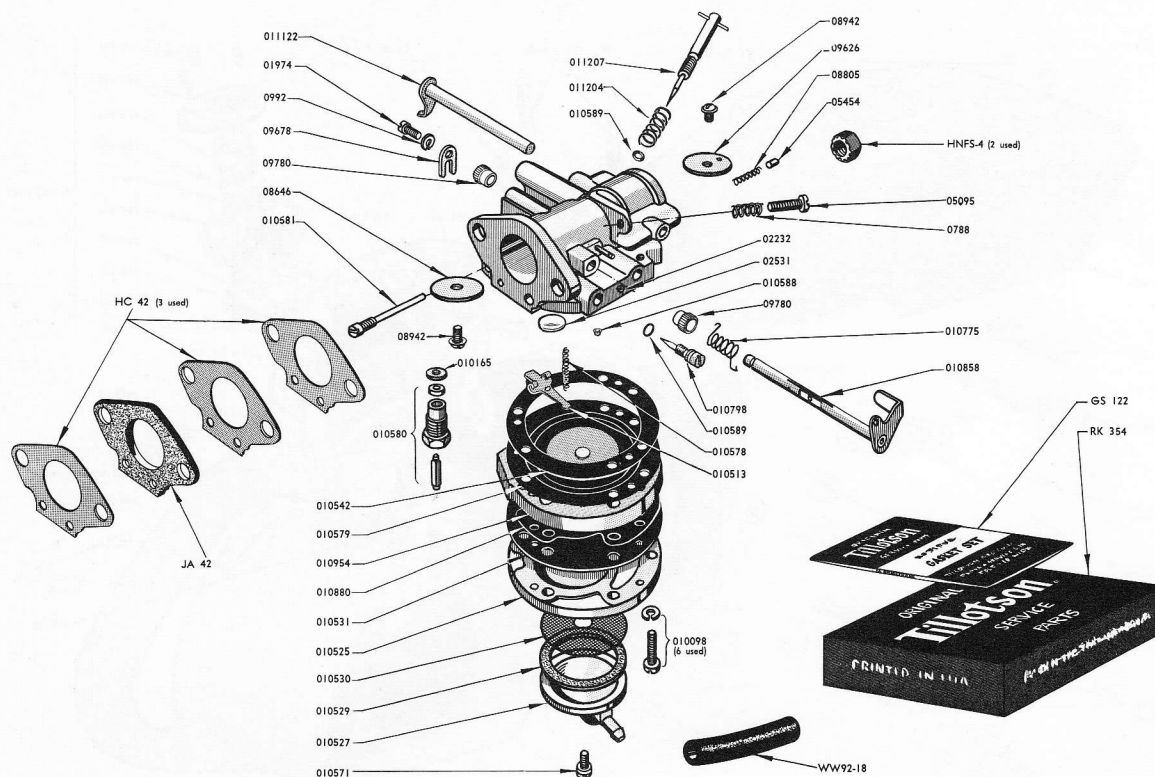
# MODEL RA



## GAS TANK

Part No.	Part Name	Part No.	Part Name
RA 12-1	Crankcase — Tank	RA 452	Air Cleaner Cover
SB 191	Short Cylinder Stud (2)	WV 494-20	Air Cleaner Wing Nut
WW 101	Long Cylinder Stud (2)	RA 397	Air Cleaner Element Assembly
SB 191	Fan Housing Stud (4)	SEMR 1032-1/2	Air Cleaner Screw (2)
WW 112	Carburetor Stud (2)	RA 418	Throttle Trigger
DA 333	Strut Stud (2)	WV 170-1 3/8	Throttle Hinge Pin
HM 334	Strut Stud Nut (2)	RA 419	Throttle Link
07766	Clamp Unit	RA 66	Shroud Latch Assembly
07759	Filter Bowl	JA 310-1	Gas Pickup Assembly
RA 232	Filter Base	WV 91-52	Flexible Pickup Line
RA 234	Filter Base Gasket	JA 311	Pickup Screen
RA 235	Filter Felt	WV 227-9	"O" Ring (2)
SEMR 1024-1/2	Filter Base Screw (2)	JA 177	Flex Pickup Connection
WV 58	Gas Line Fitting	HM 118-1	Gas Cap Assembly
07761	Filter Bowl Gasket		(includes parts marked *)
RA 61-1	Shroud (outer) Assembly (includes parts marked **)	HM 118	*Gas Cap
RA 61B	**Back Shroud Hook	HM 117	*Gas Cap Valve
RA 61C	**Front Shroud Hook	HM 116	*Gas Cap Valve Plate
WV 268	**Rivet (6)	HM 114	*Gas Cap Spring
WW 10	**Name Plate	HM 115	*Gas Cap Cover Plate
WW 11	**"Pioneer" Scroll	WV 302	*Gas Cap Rivet
WV 181	**Push-on Nut (3)	HM 113	*Gas Cap Chain
WW 8	Union Label	HM 112	*Gas Cap Lock Spring
RA 450	Air Cleaner Assembly	WV 361	*Gas Cap Screw (3)
		HM 119	Gas Cap Gasket

# MODEL RA



## CARBURETOR

Part No.	Part Name	Part No.	Part Name
RA 47	Carburetor Assembly	010571	*Fuel Strainer Cover Ret. Screw
JA 42	Carburetor Insulating Gasket	010798	*Idle Adjustment Screw (inc. 010589)
HC 42	Carburetor Gasket (3)	010589	Seal Ring
HNFS-4	Carburetor Nut (2)	05095	*Idle Speed Regulating Screw
WW 92-18	Fuel Line	0788	*Idle Speed Regulating Screw Spring
010588	*Body Channel Cup Plug	010580	*Inlet Needle, Seat & Gasket
02531	*Body Channel Welch Plug	010165	Inlet Seat Gasket
011122	Choke Shaft & Lever	010513	*Inlet Control Lever
09626	Choke Shutter	010581	*Inlet Control Lever Pinion Screw
08942	Choke Shutter Screw	010578	*Inlet Tension Spring
05454	Choke Friction Pin	011207	*Main Adjustment Screw
08805	Choke Friction Spring		(includes 010589 - 011204)
02232	Diaphragm Chamber Drain Screw	011204	Main Adjustment Screw Spring
010542	Diaphragm Gasket	010858	Throttle Shaft & Lever
010579	*Diaphragm	09780	Throttle Shaft Bushing (2)
010954	Diaphragm Cover	09678	Throttle Shaft Clip
010880	Fuel Pump Gasket	0992	Throttle Shaft Clip Lockwasher
010531	*Fuel Pump Diaphragm	01974	Throttle Shaft Clip Retaining Screw
010525	Fuel Pump Body	010775	*Throttle Shaft Return Spring
010098	Fuel Pump Body Screw & Lockwasher (6)	08646	Throttle Shutter
010530	*Fuel Strainer Screen	08942	*Throttle Shutter Screw
010529	Fuel Strainer Cover Gasket	GS-122	*GASKET & PACKING SET
010527	Fuel Strainer Cover	RK-354	REPAIR PARTS KIT

(\* ) Indicates contents of repair parts kit.