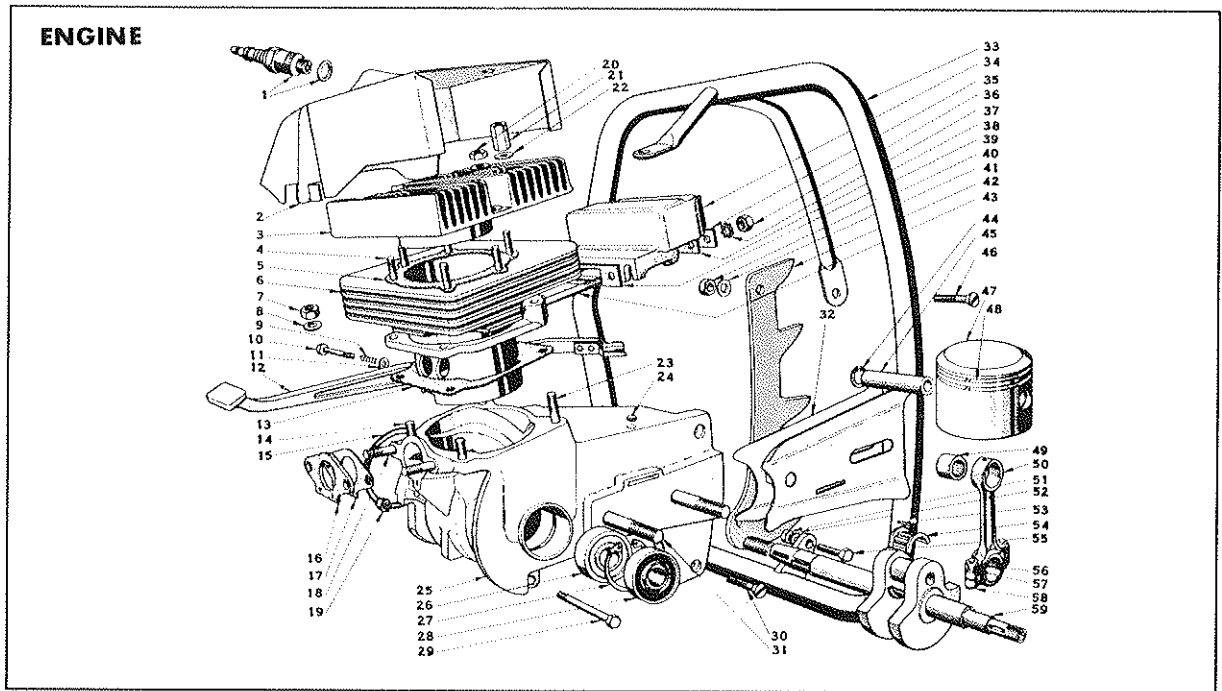


MODELS JA AND JB



ENGINE PARTS LIST

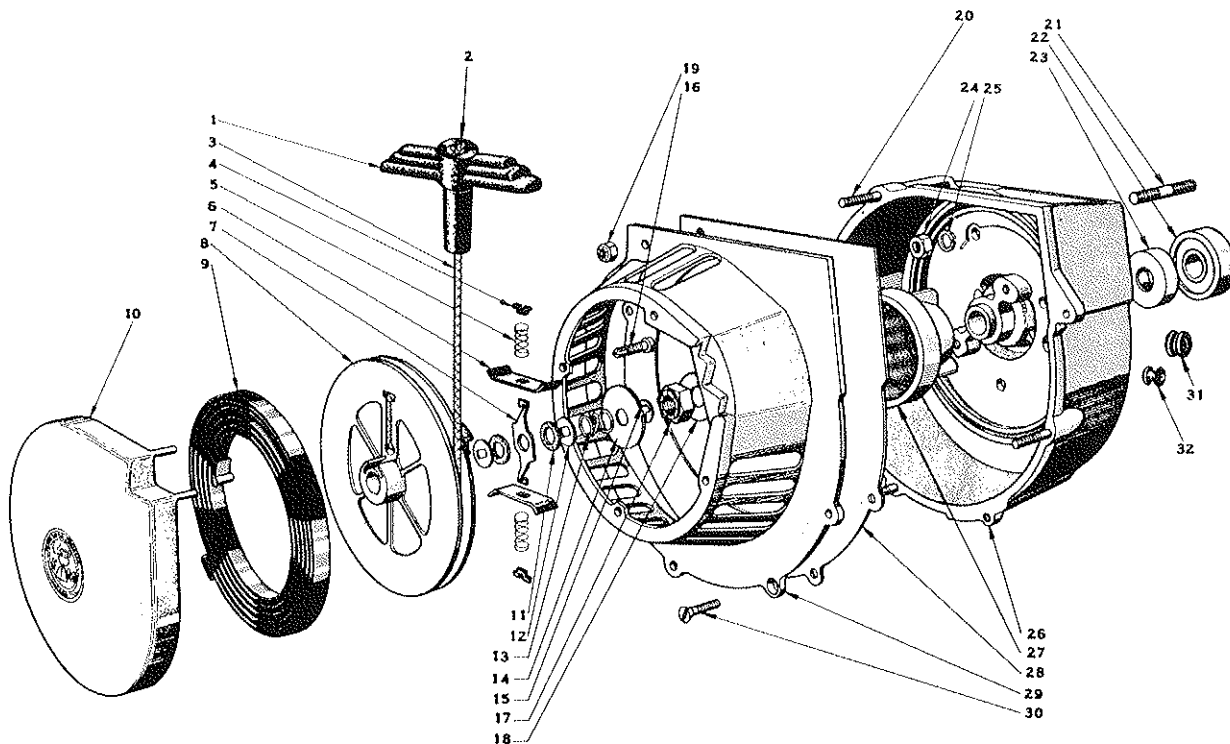
Ref. No.	Part No.	Description	Qty. Req'd.	Ref. No.	Part No.	Description	Qty. Req'd.
1	076152	Spark Plug	1	30	304624	Pivot Grip Bolt, Short	1
2	470454	Inner Shroud	1	31	425336	Strut Stud	2
3	425304	Cylinder Head	1	32	425621	Guide Plate	2
4	425334	Cylinder Head Stud	6	33	470241	Handle Bar Unit	1
5	425305	Cylinder Head Gasket	1	34	470403	Exhaust Body	1
6	470357	Cylinder	1	35	425559	Exhaust Strongback	1
7	306397	Cylinder Base Nut	4	36	306397	Exhaust Nut	2
8	306355	Cylinder Base Washer	4	37	306488	Lockwasher	2
9	425319	Connecting Link Spring	1	38	425839	Heat Baffle Strongback Gasket	1
10	425320	Connecting Link Pin	1	39	425325	Exhaust Gasket	1
11	425021	Connecting Link Washer	1	40	306397	Pivot Grip Nut	2
12	470092	Connecting Link Assembly	1	*	470408	Starter Guard	1
13	425303	Cylinder Base Gasket	1	41	304145	Lockwasher	2
14	425334	Cylinder Stud, Short	2	42	425840	Pivot Grip (Western)	1
15		Crankcase "O" Ring (Not Used)		42	425841	Pivot Grip (Eastern)	1
16	425328	Carburetor Ins. Gasket	2	43	425331	Exhaust Stud	2
17	425046	Carburetor Gasket	3	44	425062	Wrist Pin Retainer	2
18	425332	Carburetor Stud	2	45	425308	Wrist Pin	1
19	425915	Handle Nut, Lower	1	46	306760	Pivot Grip Bolt, Long	1
20	306397	Cylinder Head Nut	4	47	425306	Piston	1
21	425006	Cylinder Head Nut, Long	2	48	425307	Piston Ring	2
22	552743	Cylinder Head Washer	6	49	425060	Needle Bearing	1
23	425578	Cylinder Stud, Long	2	50	470168	Connecting Rod	1
24	425094	Welch Plug	2	51	306397	Handle Bar Nut	2
25	470358	Crankcase (Includes Studs)	1	52	304145	Lockwasher	2
26	425066	Main Bearing	2	53	425089	Loose Needles	12
27	425067	Clip Ring	1	54	470731	Brg. Cage, Two Halves	1
28	425077	Drive End Seal	1	55	306772	Handle Bar Bolt, Short	1
29	304629	Handle Bolt, Lower	1	†56	425064	Connecting Rod Nut	2
				†57	425065	Connecting Rod Tab Washer	2
				†58	425063	Connecting Rod Bolt	2
				59	425311	Crankshaft	1

*Not Shown

†For service replacement on original connecting rod only.

MODELS JA AND JB

STARTER

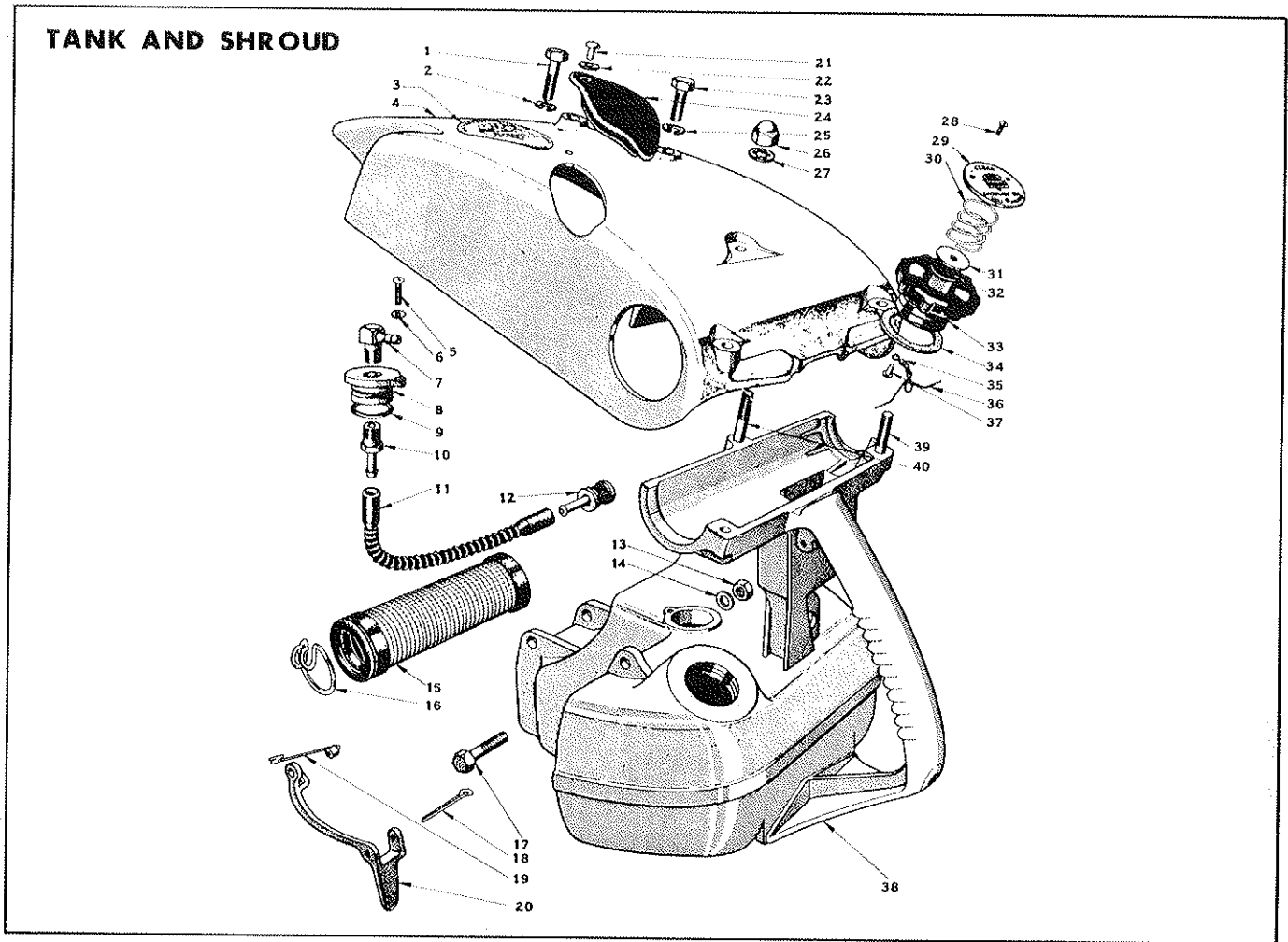


STARTER PARTS LIST

Ref. No.	Part No.	Description	Qty. Req'd.	Ref. No.	Part No.	Description	Qty. Req'd.
*	470242	Starter Assembly, Complete	1	16	425708	Self Tapping Screw	4
1	602773	Starter Handle	1	17	425090	Flywheel Nut	1
2	304323	Starter Cord Anchor	1	18	304671	Flywheel Washer	1
3	425846	Cord	1	19	425339	Starter Stud Nut	4
4	425273	Pawl Retainer Plate	2	20	425333	Starter Adapter Stud	4
5	425274	Friction Plate Spring	2	21	425075	Fan Housing Stud	4
6	425269	Starter Pawl	2	22	425066	Main Bearing	2
7	425272	Brake Lever	1	23	425076	Magneto End Seal	1
8	425849	Rotor	1	24	306397	Fan Housing Nut	4
9	425848	Rewind Spring	1	25	304145	Fan Housing Lockwasher	4
10	425847	Cover	1	26	425310	Fan Housing	1
11	425280	Fiber Washer	2	27	425057	Shaft Cup	1
12	425277	Brake Washer	2	28	425851	Seal Plate	1
13	425278	Brake Spring	1	29	425314	Starter Adapter	1
14	425281	Brake Retainer Washer	1	30	302104	Starter Adapter Screw	1
15	202139	Retainer Ring	1	31	425335	Ignition Wire Grommet	1
				32	425338	Switch Wire Grommet	1

*Not Shown

MODELS JA AND JB



TANK AND SHROUD PARTS LIST

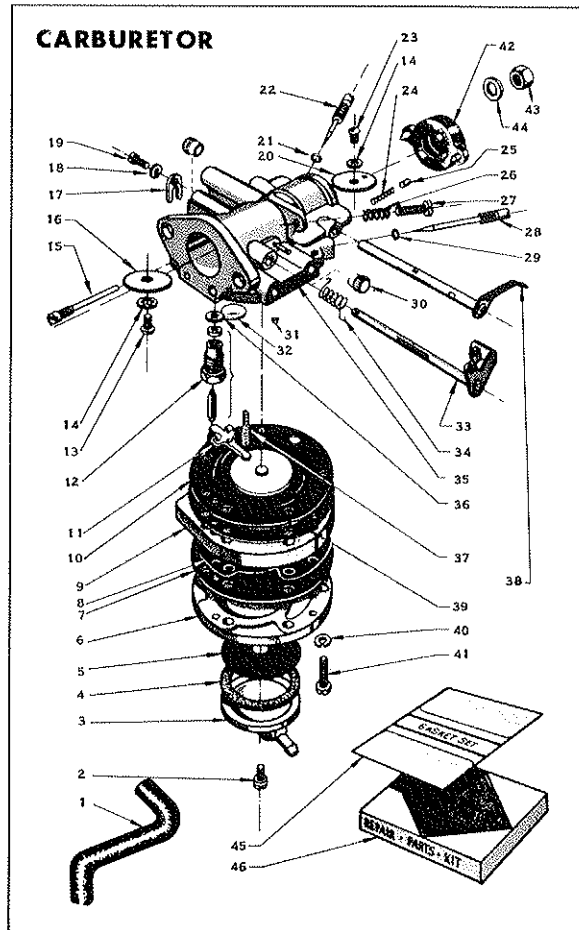
Ref. No.	Part No.	Description	Qty. Req'd.	Ref. No.	Part No.	Description	No. Req'd.
1	304627	Shroud Front Screw	1	20	425321	Throttle Trigger	1
2	304145	Shroud Washer	2	21	425758	Plug Cover Rivet	1
3	425634	Name Plate	1	22	306413	Plug Cover Washer	1
4	470555	Shroud Assembly	1	23	304628	Shroud Rear Screw	1
5	131265	Fuel Pickup Holder Screw	1	24	425322	Plug Cover	1
6	304141	Fuel Pickup Holder Washer	1	25	304145	Shroud Washer	2
7	425342	Push-on Male Elbow	1	26	426038	Shroud Nut	3
8	425323	Fuel Pickup Holder	1	27	306355	Shroud Washer	3
9	425908	"O" Ring	1	*	470445	Gas Cap Unit Assembly, Complete	1
10	425330	Flexible Pickup Connector	1	28	425633	. Gas Cap Screw	3
11	425343	Flexible Pickup Line	1	29	426236	. Gas Cap Cover Plate	1
12	470090	Pickup Body	1	30	425720	. Gas Cap Spring	1
13	425108	Handle Nut, Upper	1	31	425994	. Gas Cap Valve Plate	1
14	552743	Handle Washer, Upper	1	32	426013	. Gas Cap Valve	1
15	470245	Air Cleaner, Double Screen (Standard)	1	33	425716	. Gas Cap	1
15	470407	Air Cleaner, Cloth and Screen (Alternate)	1	34	425087	. Gas Cap Gasket	1
16	425996	Spring Retainer Wire	1	35	425719	. Gas Cap Chain	1
17	300635	Handle Upper Bolt	1	36	425718	. Gas Cap Lock Spring	1
18	304636	Throttle Hinge Pin	1	37	425029	. Gas Cap Rivet	1
19	470093	Control Link Assembly	1	38	470094	Handle Tank Unit with Studs	1
				39	425068	. Handle Stud, Short	2
				40	425918	. Handle Stud, Long	1

*Not Shown

MODELS JA AND JB

CARBURETOR PARTS LIST

Ref. No.	Part No.	Description	Qty. Req'd.
*	470451	Carburetor Assembly	1
1	425341	Fuel Line	1
†2	425741	Fuel Strainer Cover Retaining Screw	1
3	425492	Fuel Strainer Cover	1
4	425493	Fuel Strainer Cover Gasket	1
†5	425494	Fuel Strainer Screen	1
6	425490	Fuel Pump Body	1
†7	425495	Fuel Pump Diaphragm	1
8	425506	Fuel Pump Gasket	1
9	425491	Diaphragm Cover	1
10	470361	Diaphragm	1
11	425489	Inlet Control Lever	1
†12	470734	Inlet Needle, Seat and Gasket	1
†13	426145	Throttle Shutter Screw	1
14	306355	Washer	2
15	470395	Inlet Control Lever Pinion Screw	1
16	425446	Throttle Shutter	1
17	425459	Throttle Shaft Clip	1
18	425387	Throttle Shaft Shaft Clip Lockwasher	1
19	425390	Throttle Shaft Clip Retaining Screw	1
20	425456	Choke Shutter	1
21	425502	Main Adjustment Screw Seal Ring	1
22	470384	Main Adjustment Screw	1
23	426145	Choke Shutter Screw	1
24	425450	Choke Friction Pin Spring	1
25	425407	Choke Friction Pin	1
†26	425386	Idle Speed Regulating Screw Spring	1
27	425401	Idle Speed Regulating Screw	1
†28	470383	Idle Adjustment Screw	1
29	425502	Idle Adjustment Screw Seal Ring	1
30	425469	Throttle Shaft Bushing	2
†31	425501	Body Channel Cup Plug	1
†32	425394	Body Channel Welch Plug	1



Ref. No.	Part No.	Description	Qty. Req'd.
33	470121	Throttle Shaft and Lever	1
†34	425505	Throttle Shaft Return Spring	1
35	425391	Diaphragm Chamber Drain Screw	1
36	425486	Inlet Seat Gasket	1
†37	425498	Inlet Tension Spring	1
38	470120	Choke Shaft and Lever	1
39	425496	Diaphragm Cover Gasket	1
40	120122	Lockwasher	6
41	426146	Fuel Pump Body Screw	6
42	425329	Carburetor Grommet	1
43	133175	Nut	2
44	306355	Washer	2
†45	470322	Gasket and Packing Kit	1
46	470324	Repair Parts Kit	1

*Not Shown

†Items included in Repair Parts Kit Part No. 470324.

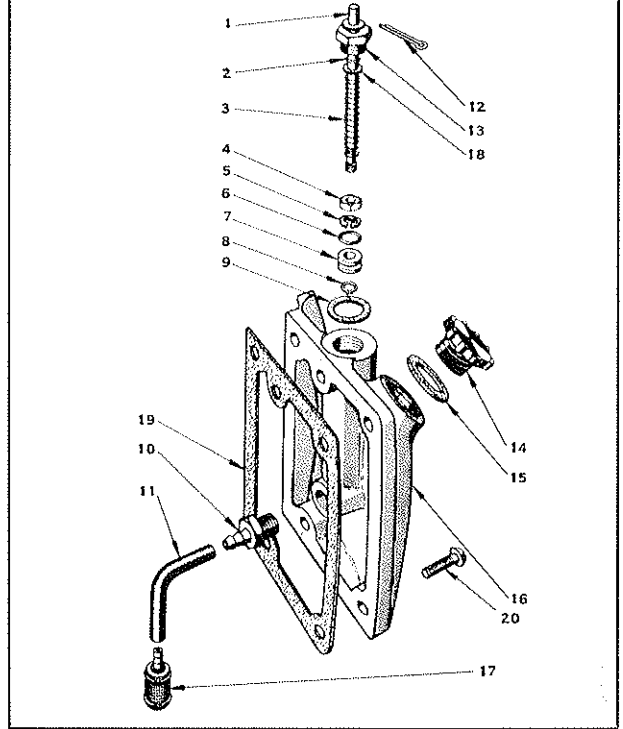
MODELS JA AND JB

MANUAL OIL PUMP PARTS LIST

Ref. No.	Part No.	Description	Qty. Req'd.
*	470243	Oil Pump Assembly, Complete	1
1	425036	. Pump Rod	1
2	425028	. Gland "O" Ring	1
3	425035	. Pump Rod Spring	1
4	425084	. Pump Rod Guide	1
5	425103	. Pump Guide Clip	1
6	425095	. Pump Piston Gland	1
7	425037	. Pump Piston	1
8	425114	. Pump Piston Clip	1
9	425093	. Gland Nut Gasket	1
10	425073	. Tube Connector	1
11	425344	. Oiler Inlet Tube	1
12	304634	. Cotter Pin	1
13	425085	. Gland Nut	1
14	470350	. Oiler Filler Cap	1
15	425074	. Oiler Cap Gasket	1
16	425318	. Oiler Body Only	1
17	470193	. Suction Body, Complete	1
18	425021	. Connecting Link Washer	1
19	425316	Oiler Body Gasket	1
20	302948	Oiler Body Screw	1

*Not Shown

MANUAL OIL PUMP

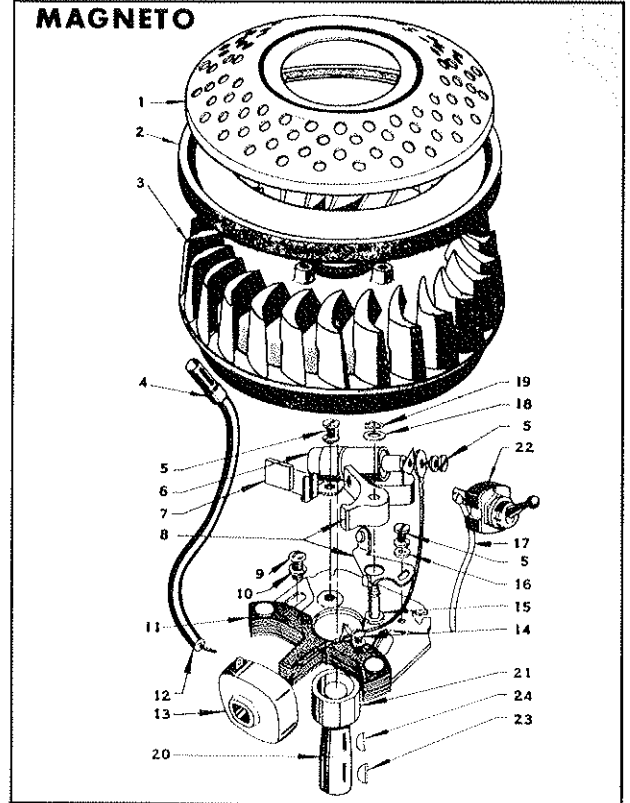


MAGNETO PARTS LIST

Ref. No.	Part No.	Description	Qty. Req'd.
1	425079	Rotary Air Screen	1
2	425080	Baffle	1
3	425081	Flywheel Unit	1
*	470103	Magneto Assembly, Complete	1
4	426253	. Terminal	1
5	425370	. Screw	3
6	425373	. Condenser	1
7	425694	. Cam Wiper Felt	1
8	425372	. Breaker Contact Set	1
9	306773	. Magneto Stator Screw	2
10	303916	. Magneto Stator Washer	2
11	425963	. Stator Plate Assembly, (Includes Stator Plate and Coil Only)	1
12	425312	. Core Ignition Wire	1
13	425371	. Coil Group	1
14	425964	. Primary Lead Screw	1
15	425357	. Breaker Arm Pivot Washer	1
16	425356	. Fixed Contact Clamp Screw Washer	1
17	425313	. Switch Wire Assembly	1
18	425366	. Breaker Point Spacer Washer	1

*Not Shown

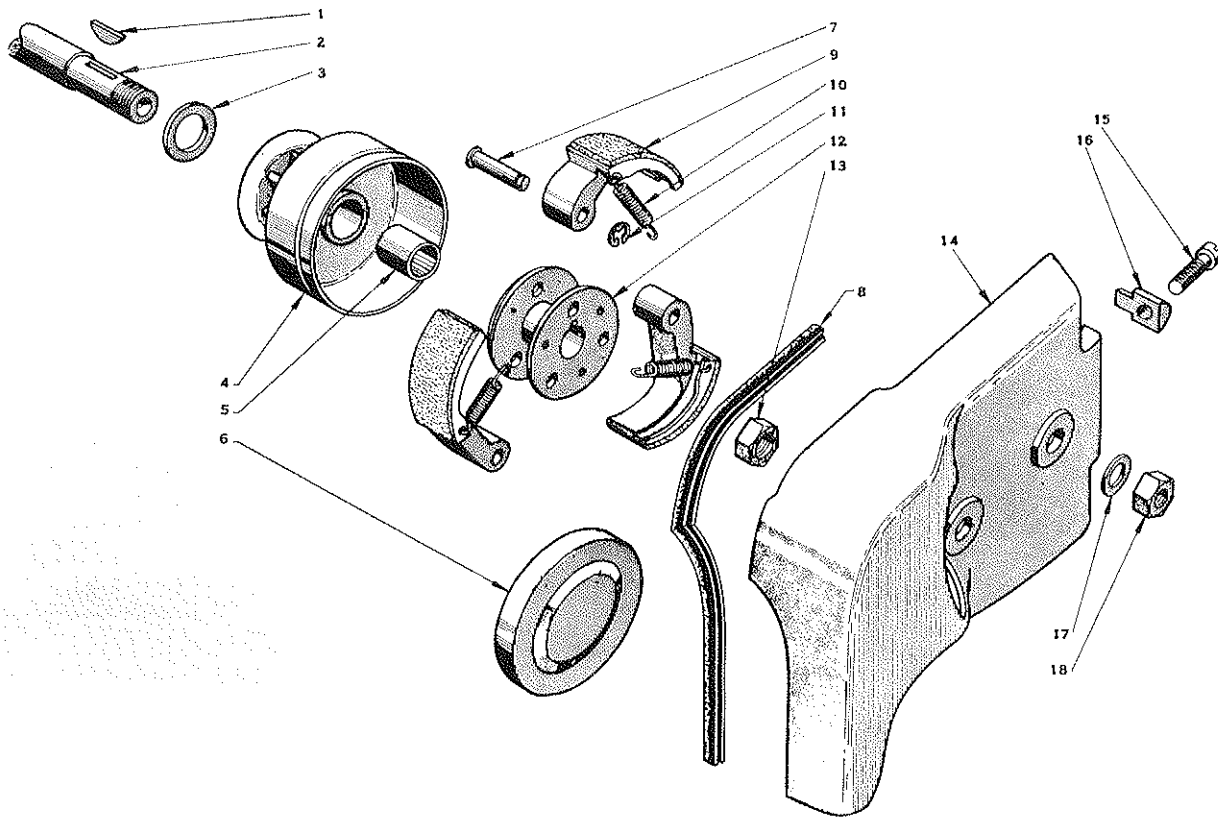
MAGNETO



Ref. No.	Part No.	Description	Qty. Req'd.
19	425358	. Breaker Arm Lock	1
20	425311	Crankshaft	1
21	425826	Magneto Cam	1
22	425101	Ignition Stop Switch	1
23	425100	Magneto Cam Key	1
24	425061	Flywheel Key	1

MODELS JA AND JB

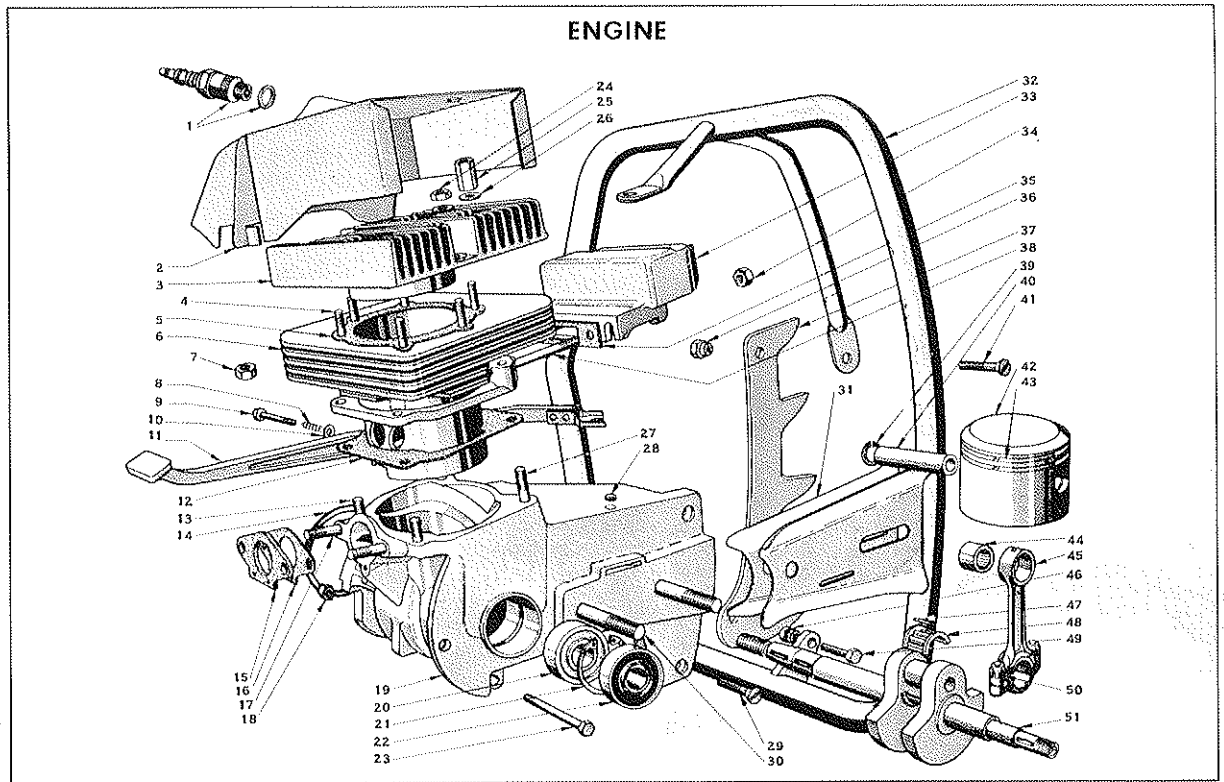
CLUTCH



CLUTCH PARTS LIST

Ref. No.	Part No.	Description	Qty. Req'd.
1	425061	Clutch Driver Key	1
2	425311	Crankshaft Drive End	1
3	425015	Inside Sprocket Washer	1
4	470340	Sprocket Assembly	1
5	425091	Sprocket Bearing	1
6	425020	Clutch Cover	1
7	425019	Clutch Driver Pin	3
8	425577	Strut Damper Strip	1
9	470091	Clutch Shoe Assembly	3
10	425012	Clutch Spring	3
11	202139	Clutch Driver Pin Clip	3
12	425018	Clutch Driver	1
13	425092	Clutch Driver Nut	1
14	470212	Strut Assembly	1
15	130618	Chain Adjusting Screw	1
16	425620	Chain Adjusting Pin	1
17	425572	Strut Washer	2
18	130743	Strut Nut	2

MODEL JC



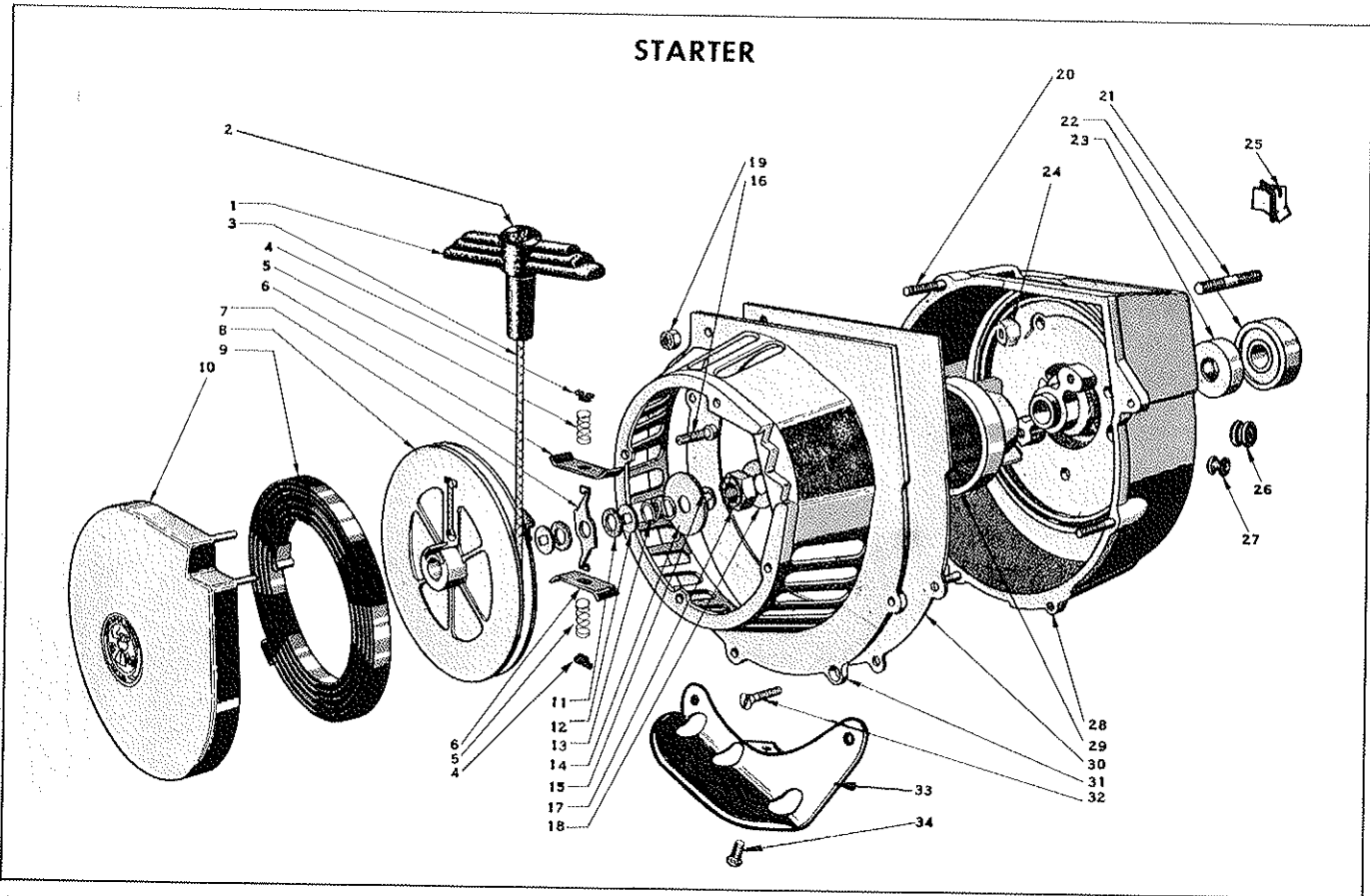
ENGINE PARTS LIST

Ref. No.	Part No.	Description	Qty. Req'd.	Ref. No.	Part No.	Description	Qty. Req'd.
1	076152	Spark Plug	1	28	425094	Plug	2
2	470454	Inner Shroud	1	29	304624	Bolt	1
3	425304	Cylinder Head	1	30	425336	Stud	2
4	425334	Stud	6	31	425621	Guide Plate	2
5	425305	Gasket	1	32	470241	Handlebar	1
6	470357	Cylinder Assembly	1	33	470403	Exhaust Manifold	1
7	304609	Nut	4	*	426261	Manifold Sleeve	2
8	425319	Spring	1	34	304609	Nut	2
9	425320	Pin	1	35	425325	Gasket	1
10	425021	Washer	1	36	425108	Nut	2
11	470092	Link Assembly	1	37	425840	Pivot Grip w.	1
12	425303	Gasket	1	37	425841	Pivot Grip e.	1
13	425334	Stud	2	38	425331	Stud	2
14		Not Used In Production		39	425062	Retainer	2
15	425328	Gasket	2	40	425308	Wrist Pin	1
16	425046	Gasket	3	41	306760	Bolt	1
17	425332	Stud	2	42	425306	Piston	1
18	425915	Nut	1	43	425307	Piston Ring	2
19	470358	Crankcase	1	44	425060	Bearing	1
20	425066	Bearing	2	45	470168	Connecting Rod	1
21	425067	Clip Ring	1	46	425108	Nut	2
22	425077	Seal	1	47	425089	Loose Needles	12
23	304629	Bolt	1	48	470731	Brg. Cage, Two Halves	1
24	306397	Nut	4	49	306772	Bolt	1
25	425006	Long Nut	2	50	304610	Cap Screw	2
26	552743	Washer	6	51	425311	Crankshaft	1
27	425578	Stud	2				

*Not Shown

MODEL JC

STARTER



STARTER PARTS LIST

Ref. No.	Part No.	Description	Qty. Req'd.	Ref. No.	Part No.	Description	Qty. Req'd.
*	470242	Starter Assy., Complete		18	304671	Washer	1
1	602773	. T Handle	1	19	425339	Locknut	4
2	304323	. T Handle Anchor	1	20	425333	Stud	4
3	425846	. Starter Cord	1	21	425075	Stud	4
4	425273	. Retainer Plate	2	22	425066	Bearing	2
5	425274	. Pawl Spring	2	23	425076	Seal	1
6	425269	. Starter Pawl	2	24	304609	Nut	4
7	425272	. Brake Lever	1	25	425707	Clip	1
8	425849	. Rotor	1	26	425335	Grommet	1
9	425848	. Rewind Spring	1	27	425338	Grommet	1
10	425847	. Cover	1	28	426166	Fan Housing	1
11	425280	. Fibre Washer	2	29	425057	Shaft Cup	1
12	425277	. Brake Washer	2	30	425851	Seal Plate	1
13	425278	. Brake Spring	1	31	425314	Adapter	1
14	425281	. Washer	1	32	302104	Screw	1
15	202139	. Retaining Ring	1	33	470408	Step Plate	1
16	425708	Screw	4	34	305230	Screw	2
17	425090	Nut	1				

MODEL JC

CLUTCH

PARTS LIST

Ref. No.	Part No.	Description	Qty. Req'd.
1	425061	Drive Key	1
2	425311	Crankshaft	1
3	425015	Washer	1
4	470340	Sprocket and Drum	1
5	425091	Bearing	1
6	425020	Cover	1
7	470455	Strut Assembly	1
8	425019	Pin	3
9	470091	Clutch Shoe	3
10	425012	Spring	3
11	202139	Pin Clip	3
12	425018	Clutch Driver	1
13	425092	Nut	1
14	130618	Screw	1
15	425620	Pin	1
16	425572	Washer	2
17	130743	Nut	2

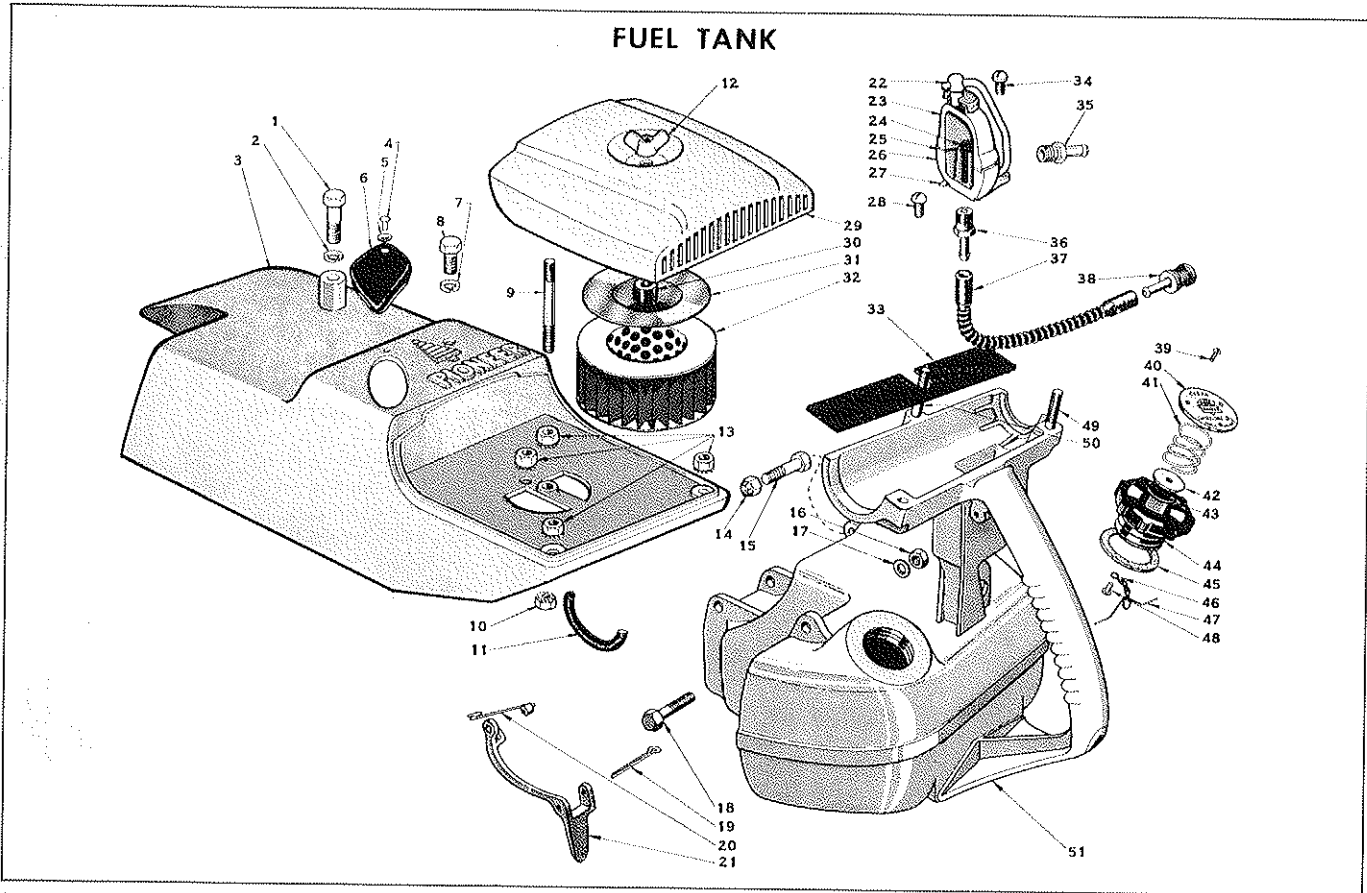
MANUAL OIL PUMP

PARTS LIST

Ref. No.	Part No.	Description	Qty. Req'd.
1	302948	Screw	4
2	425316	Gasket	1
*	470243	Oil Pump Assy. Complete	1
3	425031	Washer	1
4	425036	Pump Rod	1
5	425028	"O" Ring	1
6	425035	Spring	1
7	425084	Guide	1
8	425103	Clip	1
9	425095	Gland	1
10	425037	Piston	1
11	425114	Clip	1
12	425093	Gasket	1
13	425073	Valve Body	1
14	425344	Inlet Tube	1
15	304634	Cotter Pin	1
16	425085	Gland Nut	1
17	425021	Washer	1
18	470360	Filler Cap	1
19	425074	Gasket	1
20	425318	Oiler Body	1
21	470193	Pick-up Head	1

*Not Shown

MODEL JC



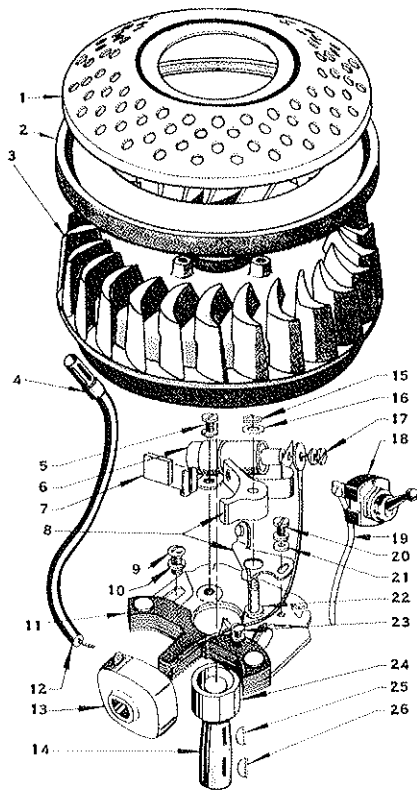
FUEL TANK PARTS LIST

Ref. No.	Part No.	Description	Qty. Req'd.	Ref. No.	Part No.	Description	Qty. Req'd.
1	304627	Screw	1	27	425669	Base Gasket	1
2	304145	Washer	2	28	306514	Screw	1
3	470447	Shroud Assembly	1	29	426161	Outer Cover	1
4	425758	Rivet	1	30	426169	Pressure Pad	1
5	306413	Washer	1	31	426167	Cleaner Cover	1
6	425322	Cover	1	32	470407	Cleaner Element	1
7	304145	Washer	2	33	426113	Sealing Strip	1
8	304628	Screw	1	34	305230	Base Screw	1
9	426037	Stem	1	35	425631	Connector	1
10	304609	Nut	1	36	425330	Pick-up Connector	1
11	426168	Rubber Seal	2	37	425343	Pick-up Line	1
12	425919	Wing Nut	1	38	470090	Pick-up Body	1
13	304609	Nut	4	*	470445	Gas Cap Unit	1
14	425108	Nut	1	39	425633	. Screw	3
15	304624	Screw	1	40	426236	. Cover Plate	1
16	425108	Nut	1	41	425720	. Spring	1
17	552748	Washer	1	42	425994	. Valve Plate	1
18	300635	Screw	1	43	426013	. Valve	1
19	304636	Cotter Pin	1	44	425716	. Gas Cap	1
20	470093	Link Assembly	1	45	425087	. Gasket	1
21	425321	Throttle Trigger	1	46	425719	. Chain	1
22	470194	Clamp Unit	1	47	425718	. Lock Spring	1
23	425422	Filter Bowl	1	48	425029	. Rivet	1
24	425670	Filter Felt	1	49	425827	Stud	2
25	425748	Bowl Gasket	1	50	425075	Stud	1
26	425668	Filter Base	1	51	470456	Tank Unit	1

*Not Shown

MODEL JC

MAGNETO

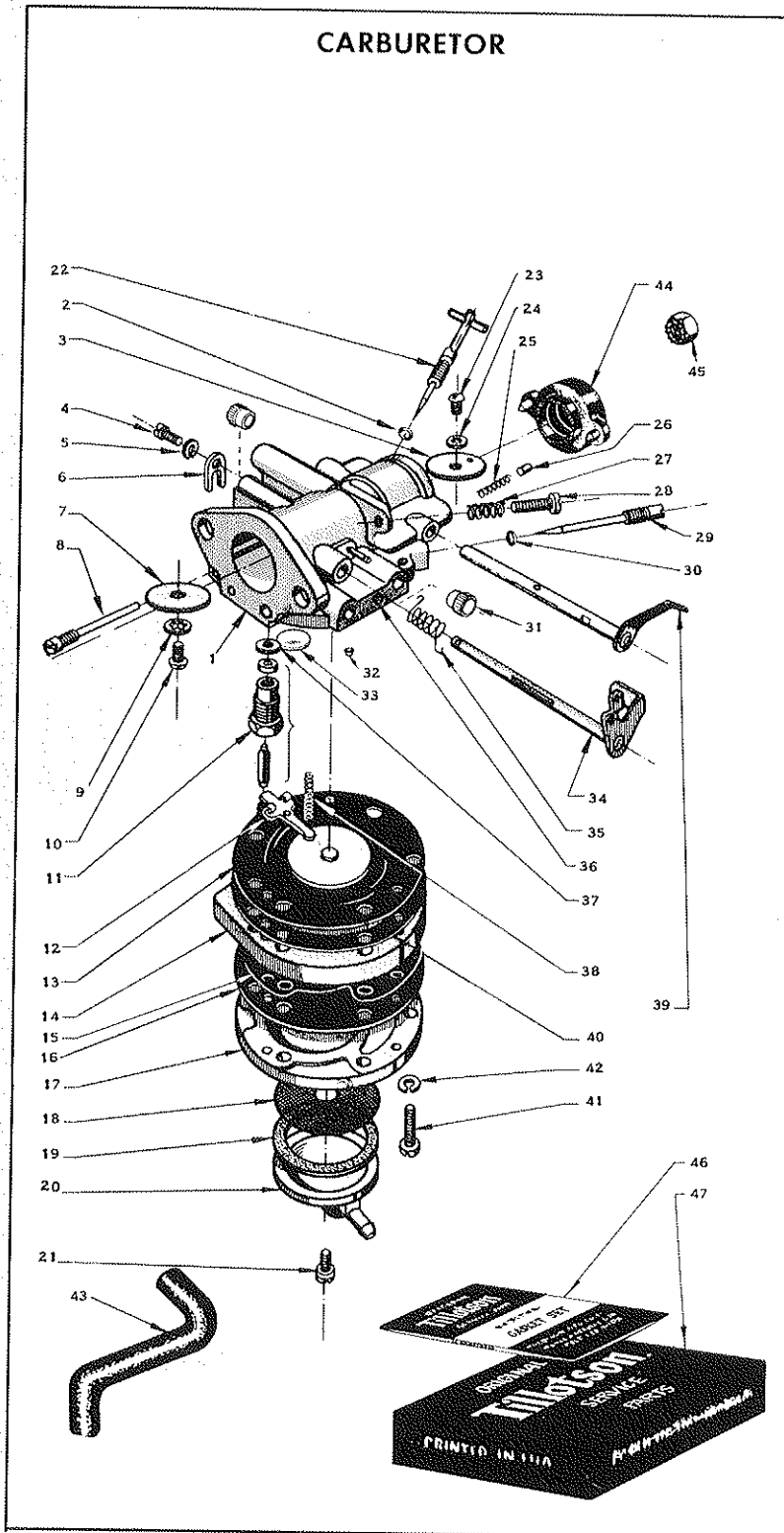


PARTS LIST

Ref. No.	Part No.	Description	Qty. Req'd.
1	425079	Air Screen	1
2	425080	Baffle	1
3	425081	Flywheel	1
4	426253	Terminal	1
5	425370	Screw	1
6	425373	Condenser	1
7	425694	Wiper Felt	1
8	425372	Breaker Points	1
9	306773	Screw	2
10		Washer, (Supplied with Ref. No. 9)	
11	425963	Stator Plate	1
12	425312	Ignition Wire	1
13	425371	Coil Group	1
14	425311	Crankshaft	1
15	425358	Arm Lock	1
16	425366	Washer	1
17	425370	Screw	1
18	425101	Stop Switch	1
19	470192	Wire Assembly	1
20	425370	Screw	1
21	425356	Washer	1
22	425357	Washer	1
23	425964	Screw	1
24	425826	Magneto Cam	1
25	425061	Flywheel Key	1
26	425100	Magneto Cam Key	1

MODEL JC

CARBURETOR

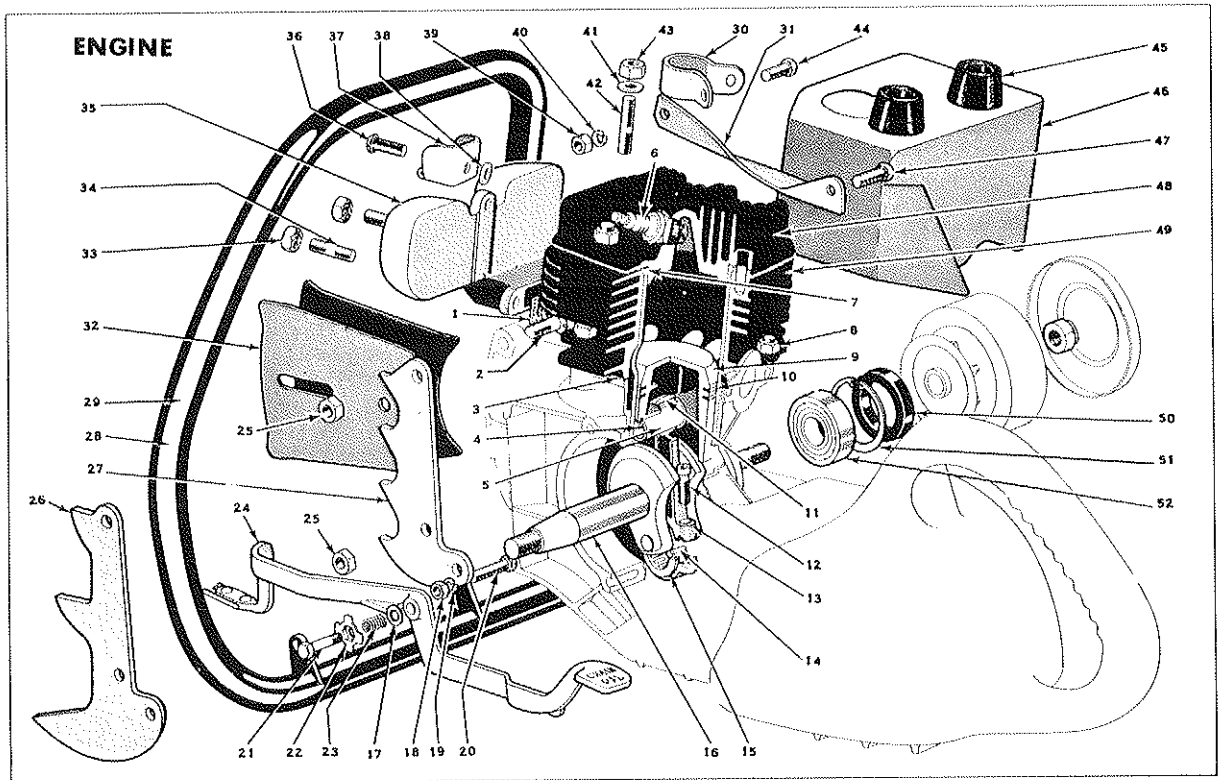


CARBURETOR PARTS LIST

Ref. No.	Part No.	Description	Qty. Req'd.
1	470451	Carburetor Assembly	
2	425502	. "O" Ring	1
3	425456	. Choke Shutter	1
4	425390	. Screw	1
5	425387	. Lockwasher	1
6	425459	. Clip	1
7	425446	. Shutter	1
*8	425500	. Adjusting Screw	1
9	306355	. Washer	1
*10	470109	. Screw	1
*11	470118	. Valve Assembly	1
12	425489	. Lever	1
*13	470361	. Diaphragm	1
14	425491	. Cover	1
15	425506	. Gasket	1
*16	425495	. Diaphragm	1
17	425490	. Pump Body	1
*18	425494	. Fuel Screen	1
19	425493	. Gasket	1
20	425492	. Cover	1
*21	425741	. Screw	1
*22	470384	. Adjusting Screw	1
23	470109	. Screw	1
24	306355	. Washer	1
25	425450	. Spring	1
26	425407	. Friction Pin	1
*27	425386	. Spring	1
28	425401	. Screw	1
*29	470383	. Adjusting Screw	1
30	425502	. "O" Ring	1
31	425469	. Bushing	2
*32	425501	. Plug	1
*33	425394	. Plug	1
34	470121	. Shaft and Lever	1
*35	425505	. Spring	1
36	425391	. Screw	1
37	425486	. Gasket	1
*38	425498	. Spring	1
39	470120	. Shaft and Lever	1
40	425496	. Gasket	1
41	426146	. Screw	6
42		. Lockwasher, (Supplied with Ref. No. 41)	
43	426244	. Fuel Line	1
44	426160	Intake Grommet	1
45	304609	Nut	2
46	470322	Gasket and Packing Kit	1
47	470324	Repair Parts Kit	1

*Contents of Repair Parts Kit

MODEL RA



ENGINE PARTS LIST

Ref. No.	Part No.	Description	Qty. Req'd.	Ref. No.	Part No.	Description	Qty. Req'd.
1	425325	Exhaust Gasket	1	28	470191	Front Handle Complete	1
2	130491	Pivot Grip Screws	2	29	470174	Front Handle Only	1
3	425644	Cylinder Base Gasket	1	30	425661	Front Handle Brace Clamp	1
4	425062	Wrist Pin Retainer	2	31	425660	Front Handle Forward Brace	1
5	425641	Wrist Pin	1	32	425674	Guide Plate	2
6	076152	Spark Plug	1	33	304609	Exhaust Nut	2
7	425643	Cylinder Head Gasket	1	34	425002	Exhaust Stud	2
8	304609	Cylinder Base Nut	4	35	425647	Exhaust Body	1
9	425640	Piston	1	36	304607	Exhaust Screw	1
10	425642	Piston Ring	2	37	425655	Latch Trunnion	1
11	425060	Needle Bearing	1	38	425649	Exhaust Insulating Washer	1
12	304610	Socket Head Cap Screw	2	39	425108	Brace Clamp Locknut	1
13	470168	Connecting Rod	1	40	304145	Forward Brace Lock-washer	1
14	425089	Loose Needle	12	41	552743	Cylinder Head Washer	6
15	470731	Bearing Cage	1	42	425334	Cylinder Head Stud	6
16	425311	Crankshaft	1	43	306397	Cylinder Head Nut	6
17	425021	Oiler Lever Washer	1	44	300977	Brace Clamp Bolt	1
18	306397	Front Handle Nut	2	45	425662	Bumper	2
19	304145	Front Handle Washer	2	46	470541	Inner Shroud Assembly	1
20	300635	Front Handle Bolt	2	47	552421	Forward Brace Bolt	1
*	306760	Front Handle Bolt (Modified for Bow Attachment)	1	48	425648	Cylinder Head	1
21	425705	Oiler Lever Pin	1	49	470190	Cylinder	1
22	425680	Oiler Lever Pin Lock	1	50	425077	Drive End Seal	1
23	425319	Oiler Lever Spring	1	51	425067	Clip Ring	1
24	470178	Oiler Lever Assembly	1	52	425066	Main Bearing	1
25	425713	Pivot Grip Nut	2				
26	425663	Pivot Grip (Western)	1				
27	425664	Pivot Grip (Eastern) (Is Available)	1				

*Not Shown

MODEL RA

CLUTCH

PARTS LIST

Ref. No.	Part No.	Description	Qty. Req'd.
1	470176	Strut Assembly	1
*	470402	Strut Assembly (Modified for Bow Attachment)	1
2	425020	Clutch Cover	1
3	425091	Sprocket Bearing	1
4	470340	Sprocket Assembly	1
5	425061	Clutch Driver Key	1
6	425015	Inside Sprocket Washer	1
7	425019	Clutch Driver Pin	3
8	470667	Clutch Shoe Assy	3
9	425012	Clutch Spring	3
10	202139	Clutch Driver Clip	3
11	425018	Clutch Driver	1
12	425092	Clutch Driver Nut	1
13	202190	Chain Adjusting Screw	1
14	425672	Chain Adjusting Pin	1
15	425116	Strut Stud Washer	2
16	425031	Strut Stud Nut, Outer	2
17	425639	Guard Plate	1

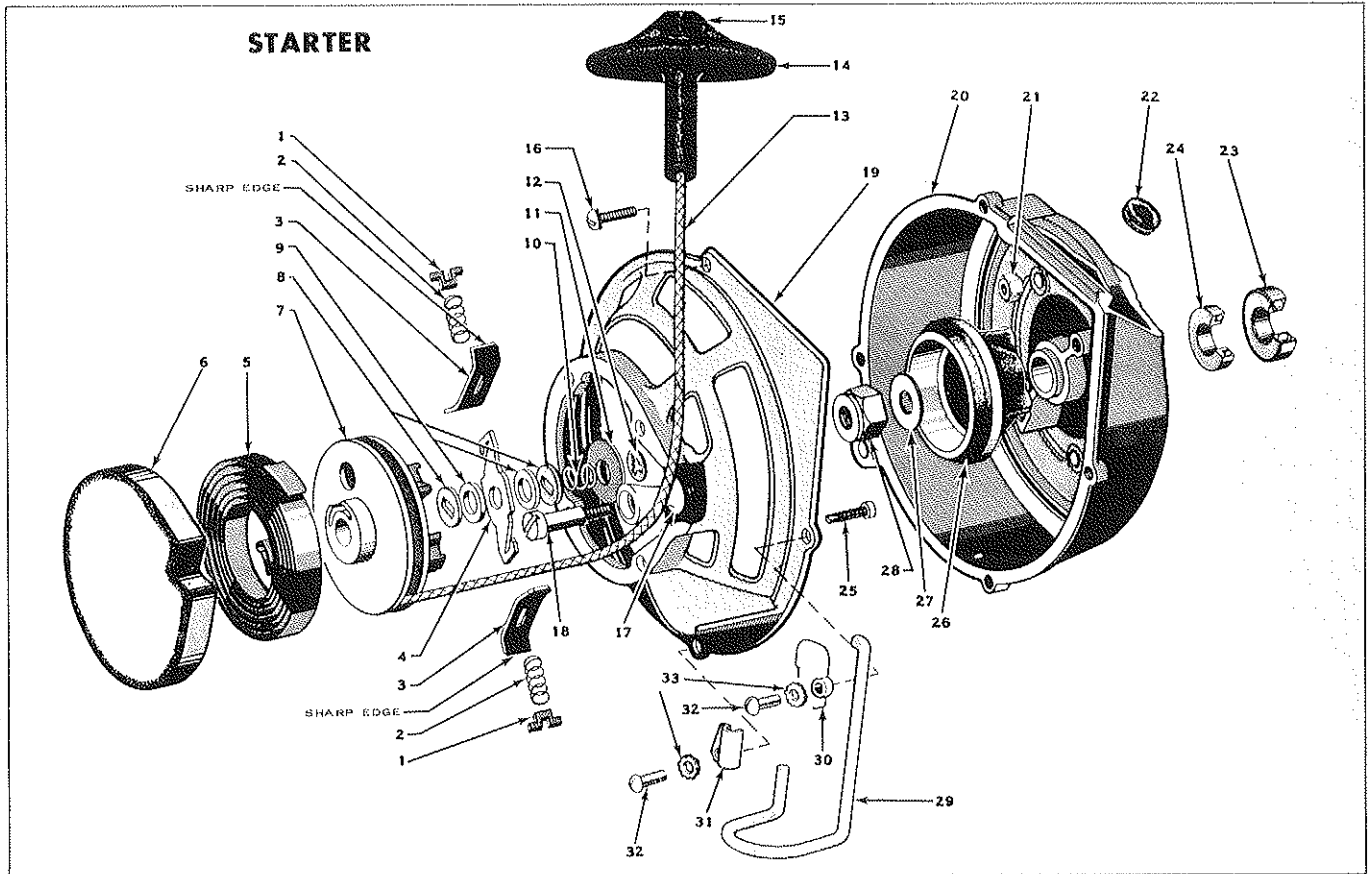
*Not Shown

OIL PUMP

PARTS LIST

Ref. No.	Part No.	Description	Qty. Req'd.
	470332	Oiler Body, Complete	1
1	425036	Pump Rod	1
2	425021	Gland Washer	1
3	425084	Pump Rod Guide	1
4	425103	Pump Guide Clip	1
5	425095	Pump Piston Gland ("O" Ring)	1
6	425037	Pump Piston	1
7	425114	Pump Piston Clip	1
8	425093	Gland Nut Gasket	1
9	304634	Cotter Pin	1
10	425085	Gland Nut	1
11	425028	Gland "O" Ring	1
12	425035	Pump Rod Spring	1
13	470360	Oiler Filler Cap Unit	1
14	425667	Oiler Body	1
15	470193	Oiler Pickup Assy	1
16	302948	Oiler Body Screw	4
17	425977	Oiler Inlet Tube	1
18	425073	Oiler Intake Connector	1
19	425671	Oiler Body Gasket	1
20	425074	Oiler Filler Cap Gasket	1

MODEL RA

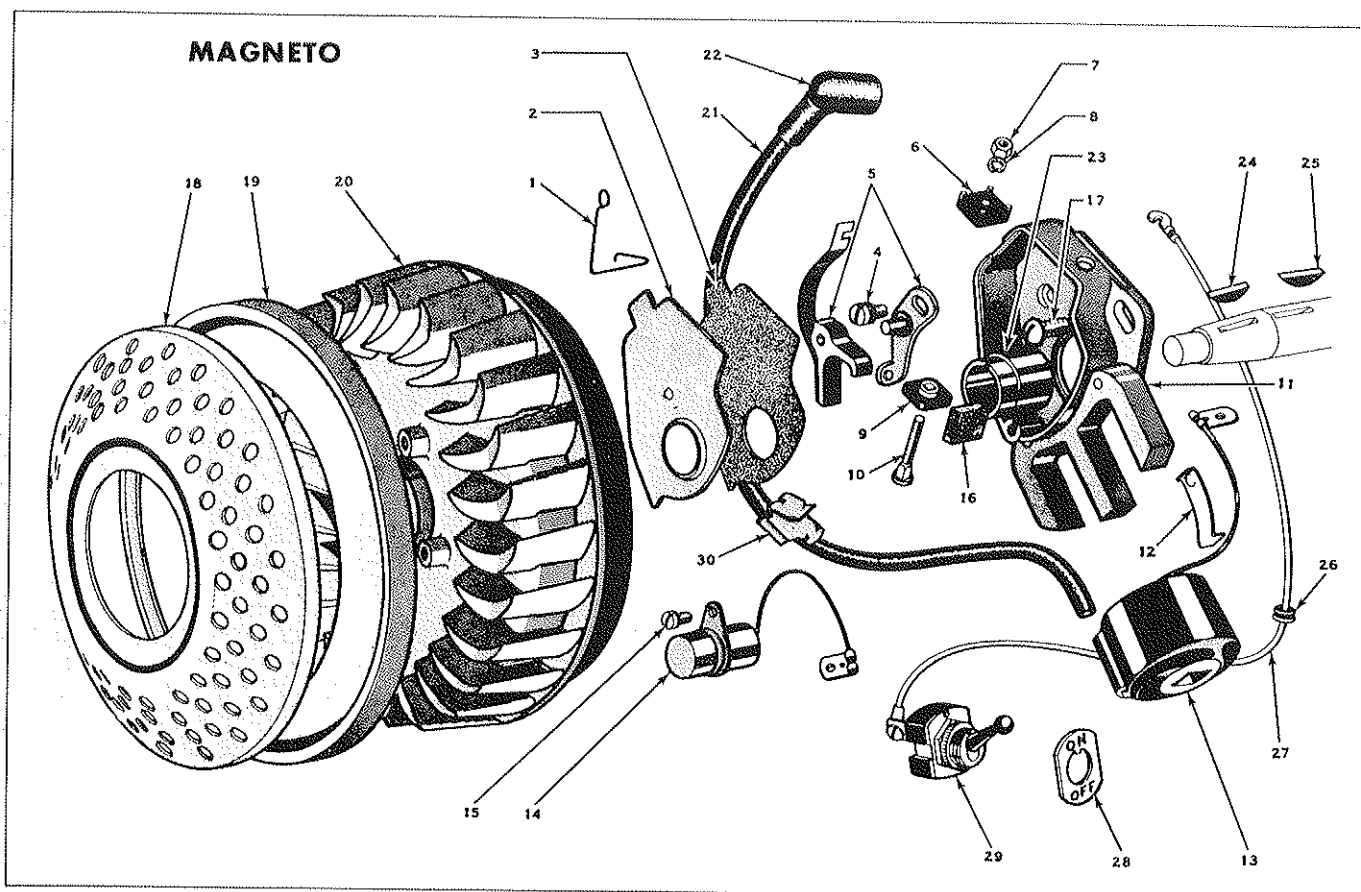


STARTER PARTS LIST

Ref. No.	Part No.	Description	Qty. Req'd.	Ref. No.	Part No.	Description	Qty. Req'd.
*	470012	Starter Assembly	1	18	425709	Roller Pin	1
*	470233	Starter Pawl Assembly	1	19	425666	Starter Adapter	1
1	425273	Spring Retainer	2	20	425650	Fan Housing	1
2	425274	Brake Lever Spring	2	21	304609	Fan Housing Nut	4
3	425269	Friction Shoe Plate	2	22	425335	Ignition Wire Grommet	2
4	425272	Brake Lever	1	23	425066	Main Bearing	1
5	425276	Rewind Spring	1	24	425076	Magneto End Seal	1
6	425275	Starter Cover	1	25	425708	Starter Screw	4
7	425270	Rotor Assembly	1	26	425057	Shaft Cup	1
8	425277	Brake Washer	2	27	304671	Flywheel Washer	1
9	425280	Fiber Washer	2	28	425090	Flywheel Nut	1
10	425278	Brake Spring	1	*	470175	Starter Foothold, Complete	1
11	425281	Brake Retainer Washer	1	29	425675	Starter Foothold Loop	1
12	202139	Clip Ring	1	30	425677	Upper Bracket	1
13	425271	Starter Cord	1	31	425676	Lower Bracket	1
14	602773	Starter Handle	1	32	306526	Foothold Screw	2
15	304323	Starter Handle Anchor	1	33	303916	Foothold Screw Lockwasher	2
16	304606	Starter Adapter Screw	2				
17	425665	Starter Cord Roller	1				

*Not Shown

MODEL RA

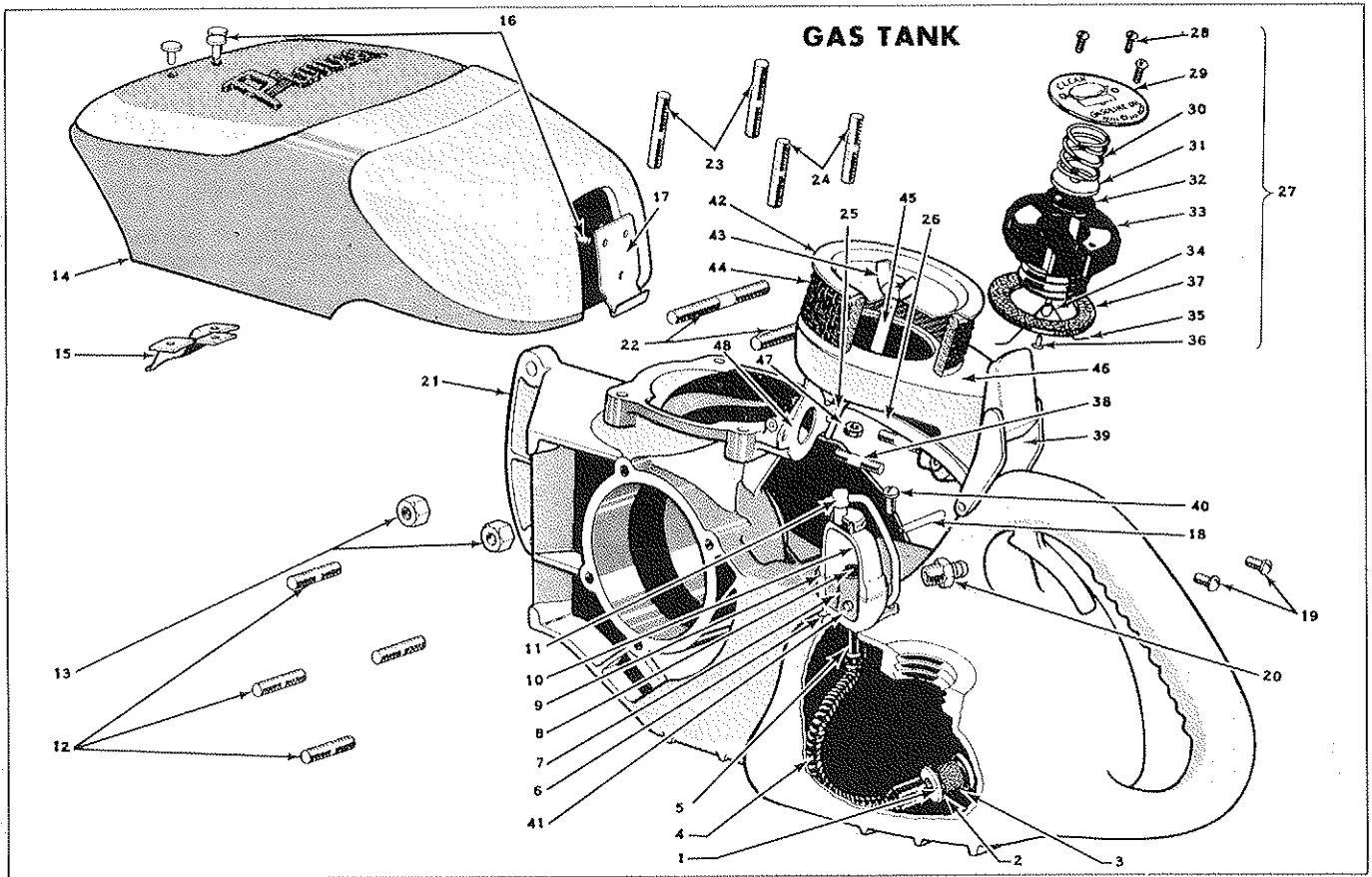


MAGNETO PARTS LIST

Ref. No.	Part No.	Description	Qty. Req'd.	Ref. No.	Part No.	Description	Qty. Req'd.
*	470184	Magneto Stator, Complete	1	12	425701	. Coil Wedge Spring	1
1	425698	. Breaker Box Cover Spring	1	13	470187	. Coil Group	1
2	425689	. Cover	1	14	425702	. Condenser	1
3	425690	. Gasket	1	15	425360	. Condenser Clamp Screw	1
4	425693	. Fixed Contact Clamp Screw	1	16	425694	. Cam Wiper Felt	1
5	470188	. Breaker Points, Set	1	17	304605	. Magneto Stator Screw	2
*	470186	. Terminal Connection Unit	1	18	425079	Rotary Screen	1
6	425699	. . Connection Stud Insulator, Outside	1	19	425080	Baffle	1
7	425697	. . Nut	1	20	425691	Flywheel	1
8	425692	. . Lockwasher	1	21	425688	Ignition Wire Sparky (Use 1-510231 & 1-510232)	1
9	425700	. . Connection Stud Insulator, Inside	1	23	425687	Magneto Cam	1
10	425696	. . Connection Stud	1	24	425061	Flywheel Key	1
11	470183	. Stator Plate Group (Stator Plate and Coil Core, only)	1	25	425100	Magneto Cam Key	1
				26	425338	Switch Wire Grommet	1
				27	470192	Switch Wire Assembly	1
				28	425729	On-Off Switch Plate	1
				29	425101	Ignition Stop Switch	1
				30	425707	Wiring Clip	1

*Not Shown

MODEL RA



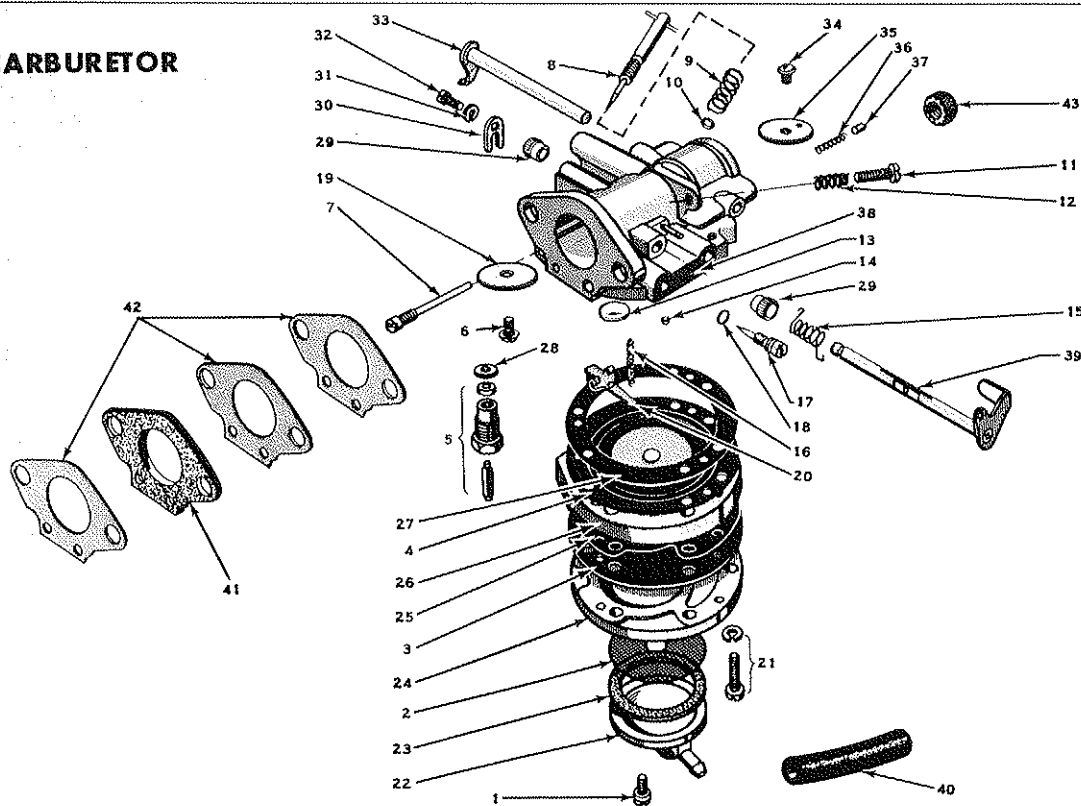
GAS TANK PARTS LIST

Ref. No.	Part No.	Description	Qty. Req'd.	Ref. No.	Part No.	Description	Qty. Req'd.
1	470090	Gas Pickup Assembly	1	25	425682	Throttle Link	1
2	304614	. "O" Ring	2	26	425681	Throttle Trigger	1
3	425317	. Pickup Screen	1	27	470426	Gas Cap Assembly	1
4	425343	Flexible Pickup Line	1	28	425633	. Gas Cap Screw	3
5	425330	Flexible Pickup Con- nection	1	29	426845	. Gas Cap Cover Plate	1
6	425669	Filter Base Gasket	1	30	426844	. Gas Cap Spring	1
7	425668	Filter Base	1	31	425994	. Gas Cap Valve Plate	1
8	425670	Filter Felt	1	32	426013	. Gas Cap Valve	1
9	425748	Filter Bowl Gasket	1	33	425716	. Gas Cap	1
10	425422	Filter Bowl	1	34	425719	. Gas Cap Chain	1
11	470194	Clamp Unit	1	35	425718	. Gas Cap Lock Spring	1
12	425075	Fan Housing Stud	4	36	425029	. Gas Cap Rivet	1
13	425078	Strut Stud Nut, Inner	2	37	425087	. Gas Cap Gasket	1
14	470399	Shroud Assembly, Outer	1	38	425714	Carburetor Stud	2
15	425653	. Front Shroud Hook	1	39	470173	Shroud Latch Assembly	1
16	425710	. Rivet	6	40	305230	Filter Base Screw	1
17	425652	. Back Shroud Hook	1	41	306514	Filter Base Screw	1
18	304615	Throttle Hinge Pin	1	*	470339	Air Cleaner Assembly	1
19	304608	Air Cleaner Screw	2	42	425706	. Cover	1
20	425631	Gas Line Fitting	1	43	425919	. Wing Nut	1
21	470170	Crankcase and Tank Assembly	1	44	470177	. Element	1
22	425027	Strut Stud	2	*	470179	. Body Assembly	1
23	425578	Long Cylinder Stud	2	45	426037	. . Stem	1
24	425075	Short Cylinder Stud	2	46	426035	. . Body	1
				47	304609	. . Nut	2
				48	426036	. . Bracket	1

*Not Shown

MODEL RA

CARBURETOR



CARBURETOR PARTS LIST

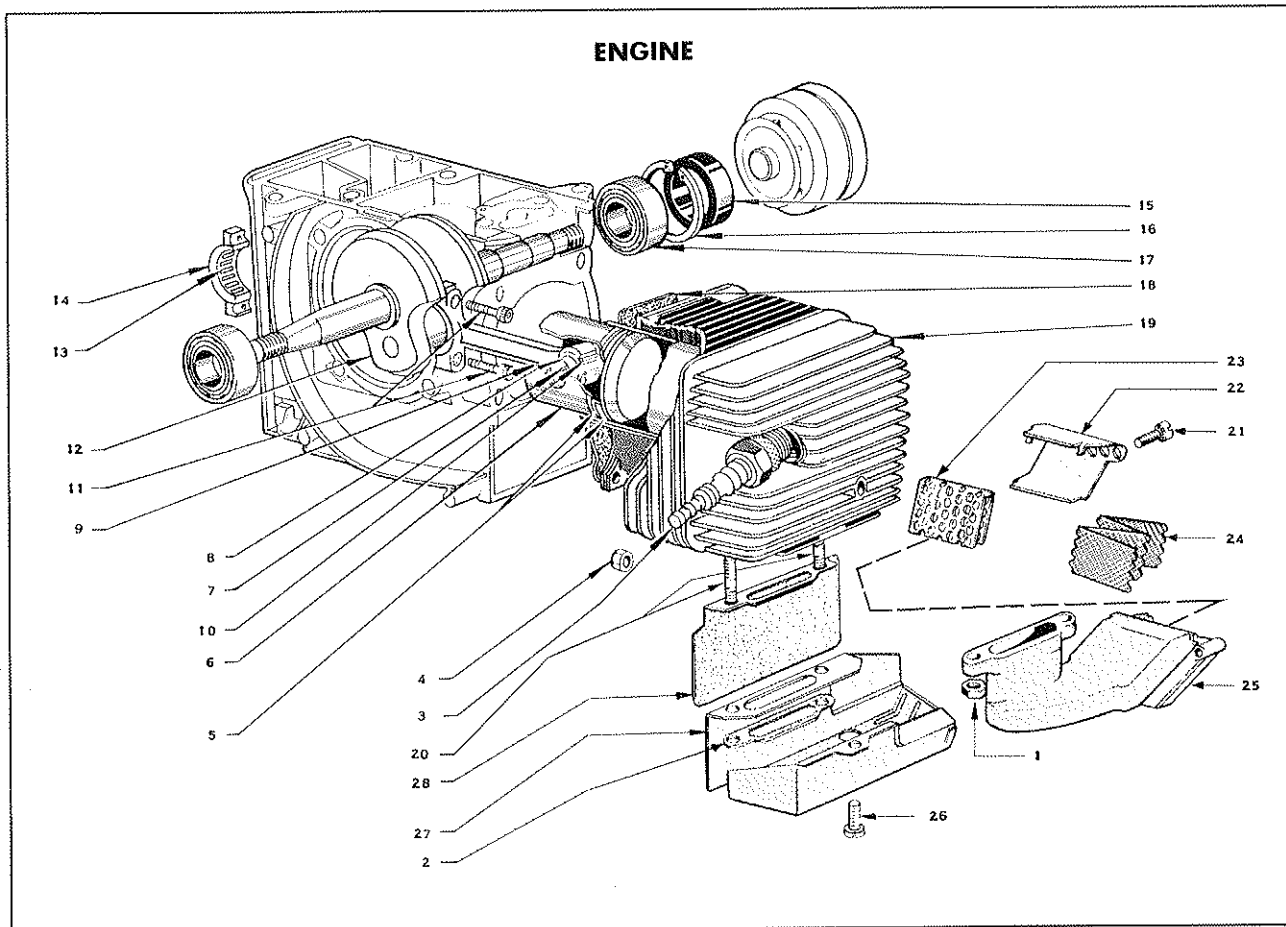
Ref. No.	Part No.	Description	Qty. Req'd.	Ref. No.	Part No.	Description	Qty. Req'd.
†	470171	Carburetor Assembly	1	21	426146	Fuel Pump Body Screw and Lock-Washer	6
* 1	425741	Fuel Strainer Cover Retaining Screw	1	22	425492	Fuel Strainer Cover	1
* 2	425494	Fuel Strainer Screen	2	23	425493	Fuel Strainer Cover Gasket	1
* 3	425495	Fuel Pump Diaphragm	1	24	425490	Fuel Pump Body	1
* 4	470361	Diaphragm	1	25	425506	Fuel Pump Gasket	1
* 5	470118	Inlet Needle, Seat and Gasket	1	26	425744	Diaphragm Cover	1
* 6	426145	Throttle Shutter Screw	1	27	425496	Diaphragm Gasket	1
* 7	470395	Inlet Control Lever Pinion Screw	1	28	425486	Inlet Seat Gasket	1
* 8	470197	Main Adjustment Screw	1	29	425469	Throttle Shaft Bushing	2
* 9	425747	Main Adjustment Screw Spring	1	30	425459	Throttle Shaft Clip	1
*10	425502	Seal Ring	1	31	425387	Throttle Shaft Clip Lockwasher	1
*11	425401	Idle Speed Regulating Screw	1	32	425390	Throttle Shaft Clip Retaining Screw	1
*12	425386	Idle Speed Regulating Screw Spring	1	33	470196	Choke Shaft and Lever	1
*13	425394	Body Channel Welch Plug	1	34	426145	Choke Shutter Screw	1
*14	425501	Body Channel Cup Plug	1	35	425456	Choke Shutter	1
*15	425505	Throttle Shaft Return Spring	1	36	425450	Choke Friction Spring	1
*16	425498	Inlet Tension Spring	1	37	425407	Choke Friction Pin	1
*17	470195	Idle Adjustment Screw	1	38	425391	Diaphragm Chamber Drain Screw	1
18	425502	Seal Ring	1	39	470119	Throttle Shaft and Lever	1
19	425446	Throttle Shutter	1	40	425732	Fuel Line	1
20	425489	Inlet Control Lever	1	41	425328	Carburetor Insulating Gasket	1
				42	425046	Carburetor Gasket	3
				43	304609	Carburetor Nut	2

470322 Carburetor Gasket and Packing Kit

†Not Shown

*470325 Repair Parts Kit (Also Includes Gasket and Packing Kit)

400 SERIES MODELS 400, 400A AND 410



ENGINE PARTS LIST

Ref. No.	Part No.	Description	Qty. Req'd.	Ref. No.	Part No.	Description	Qty. Req'd.
1	304609	Muffler Nut	2	15	425077	Drive End Seal	1
2	426444	Muffler Gasket	1	16	425067	Retaining Ring	1
3	076152	Spark Plug	1	17	425066	Main Bearing	2
4	426734	Cylinder Base Nut	4	18	426453	Cylinder Base Gasket	1
5	425642	Piston Ring	2	19	470592	Cylinder Block	1
6	425640	Piston	1	20	425334	Exhaust Stud	2
7	425062	Wrist Pin Clip	2	*	470688	Muffler Assembly	1
8	425641	Wrist Pin	1	21	307613	Screw	2
9	470168	Connecting Rod Assembly, Complete	1	22	426748	Exhaust Deflector	1
10	425060	Wrist Pin Bearing	1	23	426741	Screen Plate	1
11	304610	Socket Head Screw	2	24	426742	Screen	1
12	426402	Crankshaft	1	25	426744	Muffler Body	1
13	425089	Bearing Needles	12	26	303311	Screw	1
14	470731	Bearing Cage, Two Halves	1	27	426743	Muffler Shroud	1
				28	426740	Gasket Shield	1

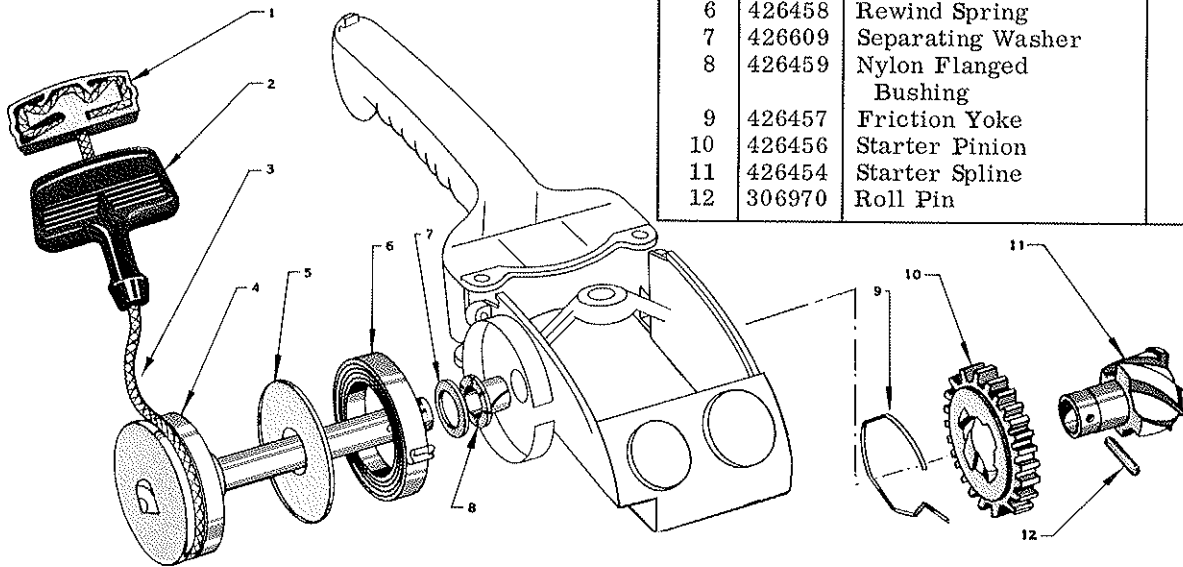
*Not Shown

400 SERIES MODELS 400, 400A AND 410

STARTER PARTS LIST

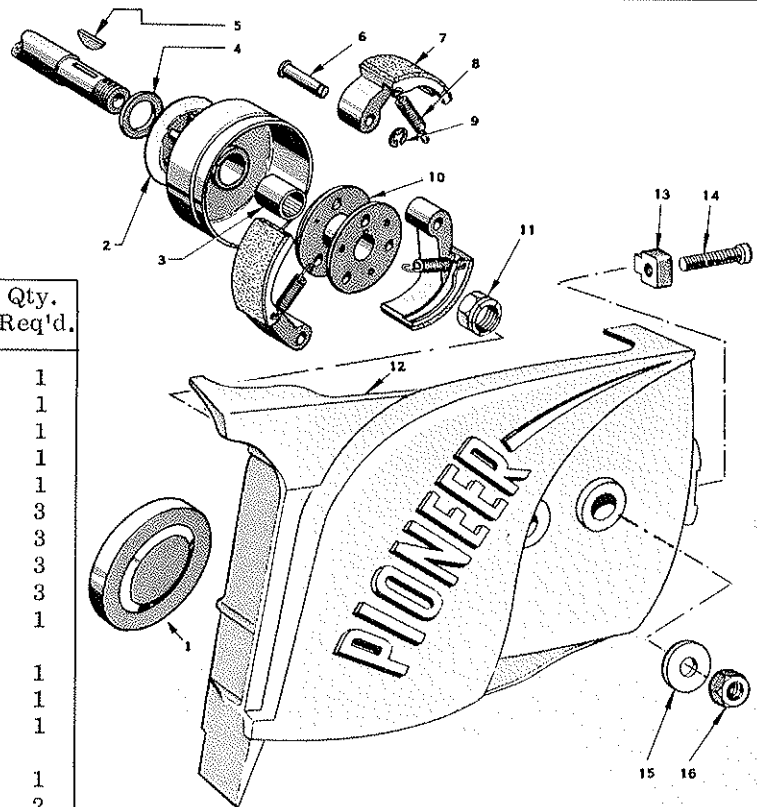
Ref. No.	Part No.	Description	Qty. Req'd.
1	304323	Cord Anchor	1
2	602773	Starter Handle	1
3	426752	Starter Cord	1
4	470588	Starter Pulley	1
5	426524	Rewind Spring Backing Plate	1
6	426458	Rewind Spring	1
7	426609	Separating Washer	1
8	426459	Nylon Flanged Bushing	1
9	426457	Friction Yoke	1
10	426456	Starter Pinion	1
11	426454	Starter Spline	1
12	306970	Roll Pin	1

STARTER



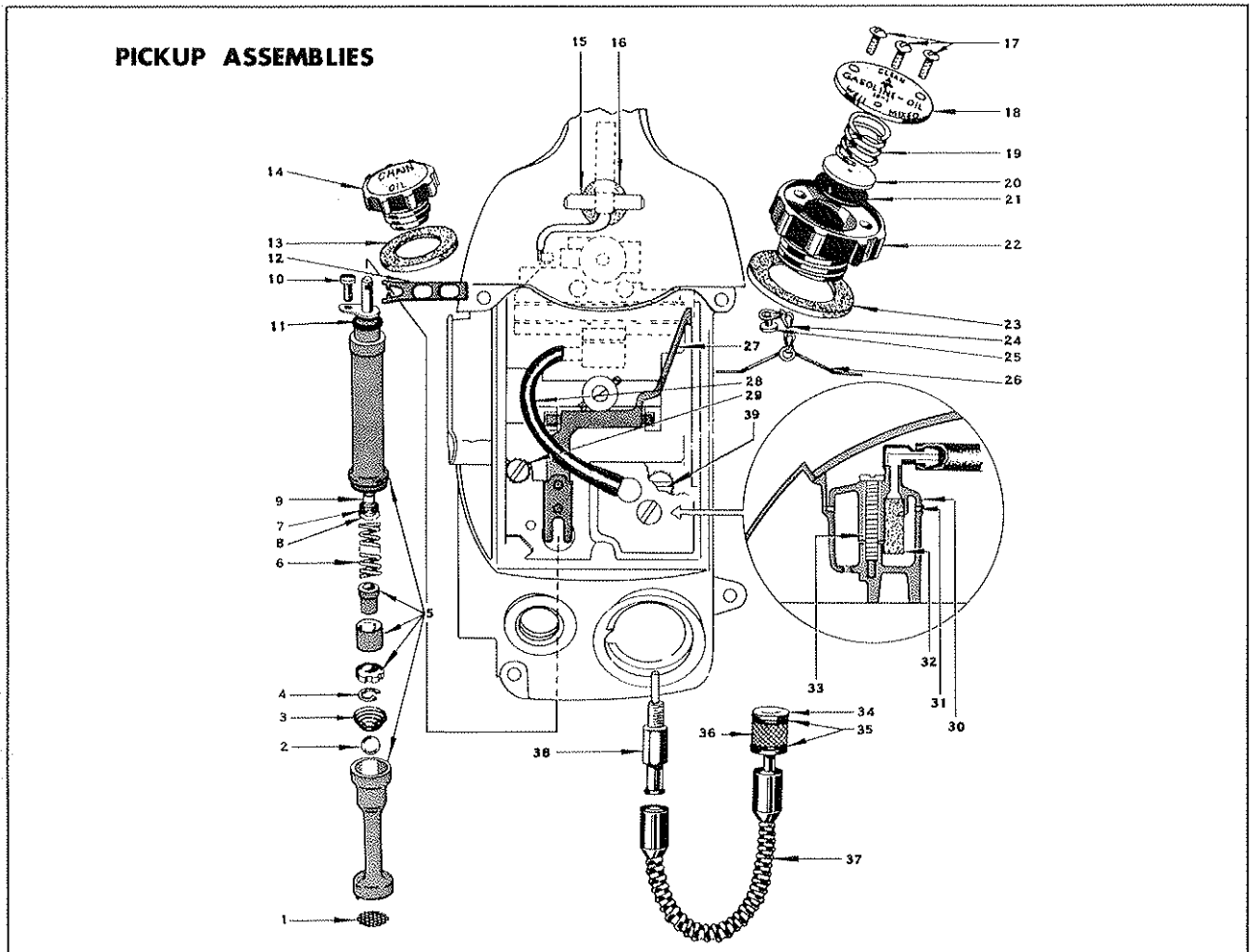
CLUTCH PARTS LIST

Ref. No.	Part No.	Description	Qty. Req'd.
1	425020	Clutch Cover	1
2	470340	Sprocket Assembly	1
3	425091	. Sprocket Bearing	1
4	425015	Inside Sprocket Washer	1
5	425061	Clutch Driver Key	1
6	425019	Clutch Driver Pin	3
7	470667	Clutch Shoe Assembly	3
8	425012	Clutch Driver Spring	3
9	203470	Clutch Driver Clip	3
10	425018	Clutch Driver	1
11	425092	Clutch Driver Nut, Flexloc	1
12	470573	Strut Assembly	1
13	425672	. Chain Adjusting Pin	1
14	202190	. Chain Adjusting Screw	1
15	425116	Strut Washer	2
16	425031	Strut Nut	2



CLUTCH

400 SERIES MODELS 400, 400A AND 410



PICKUP ASSEMBLIES PARTS LIST

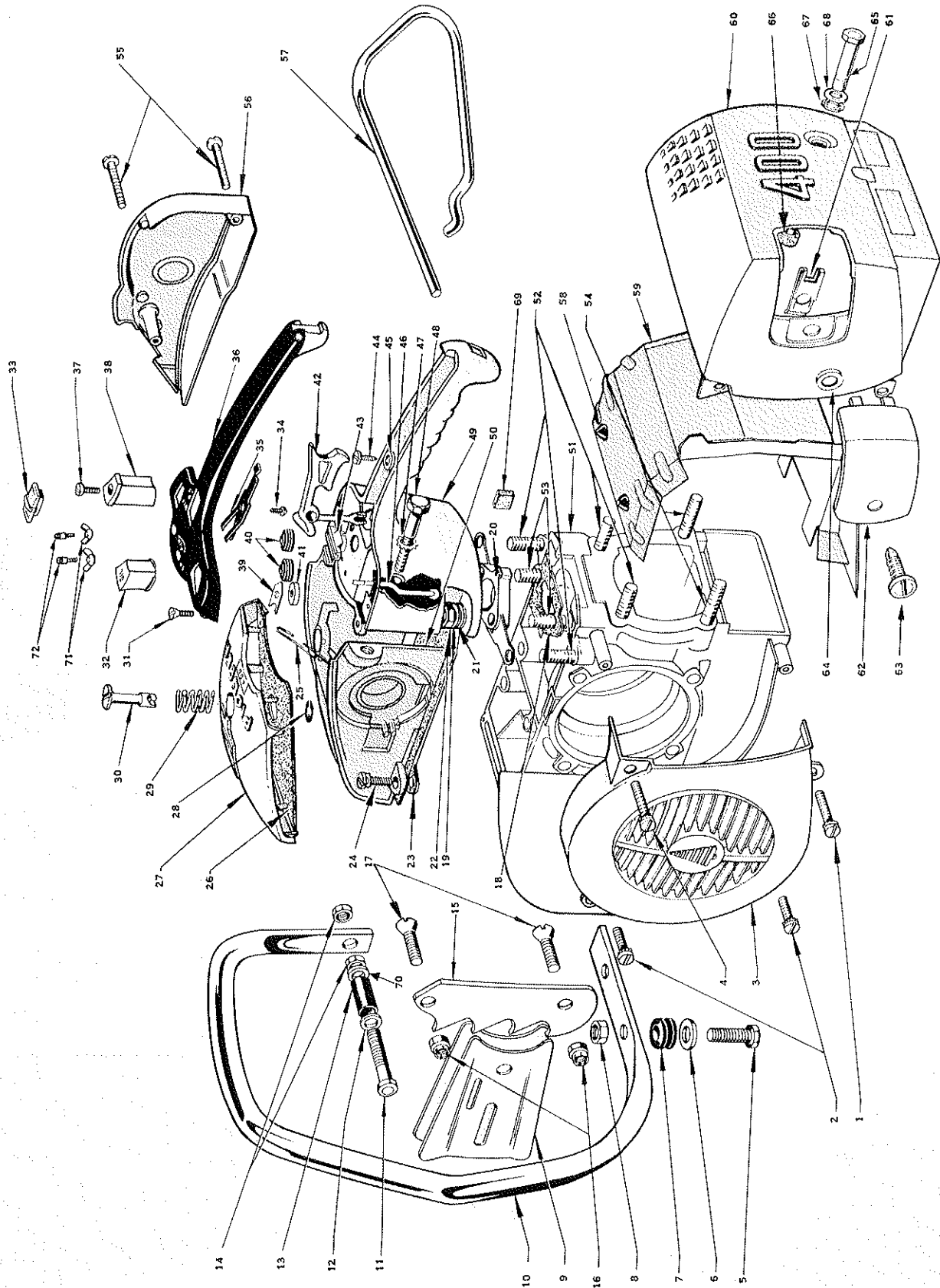
Ref. No.	Part No.	Description	Qty. Req'd.	Ref. No.	Part No.	Description	Qty. Req'd.
*	470596	Oil Pump Assembly	1	18	426845	. Gas Cap Cover Plate	1
1	426474	. Filter Gauze	1	19	426844	. Gas Cap Spring	1
2	426227	. Ball, 9/32 Dia.	1	20	425994	. Valve Plate	1
†3	426472	. Ball Check Spring	1	21	426013	. Gas Cap Valve	1
4	202755	. Retaining Ring	1	22	425716	. Gas Cap	1
5	470638	. Oil Pump Body Assembly	1	23	425087	. Gas Cap Gasket	1
6	426471	. Rod to Oil Pump Spring	1	24	425719	. Gas Cap Chain	1
7	425028	. "O" Ring	1	25	425029	. Lock Spring Rivet	1
8	300154	. Washer	1	26	425718	. Gas Cap Lock Spring	1
9	426470	. Oil Pump Rod	1	27	470589	Oil Pump Lever Assembly	1
10	305230	. Pump to Airbox Screw	1	28	426465	Carburetor Fuel Line	1
11	303059	. "O" Ring	1	29	551705	Screw	1
12	426476	. Oil Pump Clip	1	30	470672	Filter Cap Assembly, Cap and Elbow	1
13	425074	Oiler Filler Cap Gasket	1	31	426464	Gasket	1
14	470360	Oiler Filler Cap Assembly	1	32	426563	Felt	1
15	426542	Throttle Lever Pivot Pin	1	33	307190	Screw	1
16	426535	Throttle Trigger Seal	1	34	470090	Pickup Head Assembly	1
*	470726	Gas Cap Assembly	1	35	304614	. Retaining Ring	2
17	425633	. Screw	3	36	425317	. Pickup Screen	1
				37	425343	Flex Fuel Pickup Line	1
				38	426466	Fuel Line Adapter	1
				39	426751	Screw	1

*Not Shown

†Oil pump assembly modified and this part deleted beginning with Model 410 Serial No. 97445.

400 SERIES MODELS 400, 400A AND 410

OUTER ASSEMBLIES



400 SERIES MODELS 400, 400A AND 410

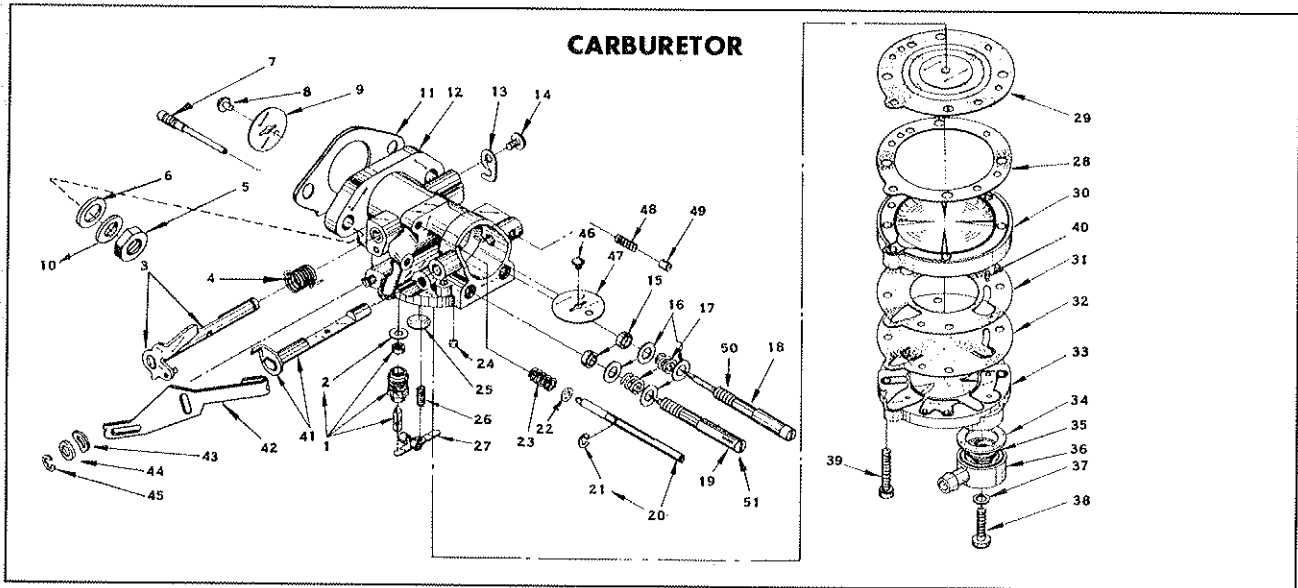
OUTER ASSEMBLIES PARTS LISTS

Ref. No.	Part No.	Description	Qty. Req'd.	Ref. No.	Part No.	Description	Qty. Req'd.	Ref. No.	Part No.	Description	Qty. Req'd.
1	304606	Screw	1	28	426572	"E" Retaining Ring	1	50	426654	Air Box Front Section	1
2	302948	Screw	2	29	426540	Top Cover Spring	1	51	470564	Crankcase Assembly	1
3	426425	Blower Cover	1	30	426541	Dzus Fastener Head	1	52	426642	Stud, Two Cylinders and Two Rear Handles	4
4	305725	Screw	1	31	200608	Screw	2				
5	304625	Screw	2	32	426487	Oilier Button	1	53	426702	Carburetor Mounting Stud	2
6	426549	Shock Absorber Washer	2	*	†	Control Panel Assembly	1	54	426635	Stud, Cylinder Bottom	2
7	307417	Shock Absorber, Lower	2	33	426488	Ignition Switch Button	1	55	305725	Screw	2
8	426575	Stake Nut	2	34	426662	Screw	1	56	426445	Pulley Cover	1
9	425674	Guide Plate	2	35	426489	Contact Switch Spring	1	57	426661	Foothold Loop	1
10	426496	Front Handle	1	36	†	Control Panel	1	*	470691	Inner Shroud Assembly	1
11	131054	Screw	1	37	†	Screw	1	58	426746	Bumper	2
12	302471	Washer	1	38	†	Choke Rod Knob	1	59	426745	Inner Shroud	1
13	426492	Shock Absorber	1	39	426485	Oilier Push Rod Seal	1	60	470611	Cylinder Shroud Assembly	2
14	426576	Stake Nut	2	40	426483	Retainer	1	61	426547	Speed Nut Fastener	1
15	470670	Pivot Grip Assembly	1	41	426486	Carburetor Mixture Control Rod Seal	2	62	470616	Inspection Cover Assembly	1
16	426498	Pivot Grip	1	42	426534	Push Rod Felt Seal	1	63	426545	Fastener Screw	1
17	425713	Pivot Grip Nut	2	43	426490	Throttle Trigger	1	64	426546	Retaining Washer	1
18	130491	Pivot Grip Screw	2	44	426664	Switch Lead Terminal Block	1	65	302930	Screw	1
19	426705	Gasket	2	45	426706	Throttle Trigger Stop Screw	1	66	426749	Spacer	1
20	303887	Washer	1	46	426484	Oil Pump Push Rod Washer	1	67	426703	Insulating Washer	1
21	426780	Insulating Block	2	47	306488	Oil Pump Push Rod Washer	2	68	302474	Washer	1
22	426703	Insulating Washer	2	48	304913	Bolt	1	69	426708	Crankcase Diaphragm	1
23	306397	Nut	2	49	426655	Air Box Rear Section	1	70	306407	Felt Washer	1
24	426651	Air Box Front Section	1					71	†	Mixture Control Knob	2
25	302948	Gasket	2					72	†	Knob Screw	2
26	426548	Screw	2								
27	426491	Dzus Fastener Clip	1								
28	426491	Air Filter Element	1								
29	470586	Top Cover Assembly	1								

*Not Shown

†Original equipment on Models 400 and 400A, not available for service replacement. For conversion parts see Fuel Pump Primer Parts List Page 53.

400 SERIES MODELS 400, 400A AND 410



CARBURETOR PARTS LIST

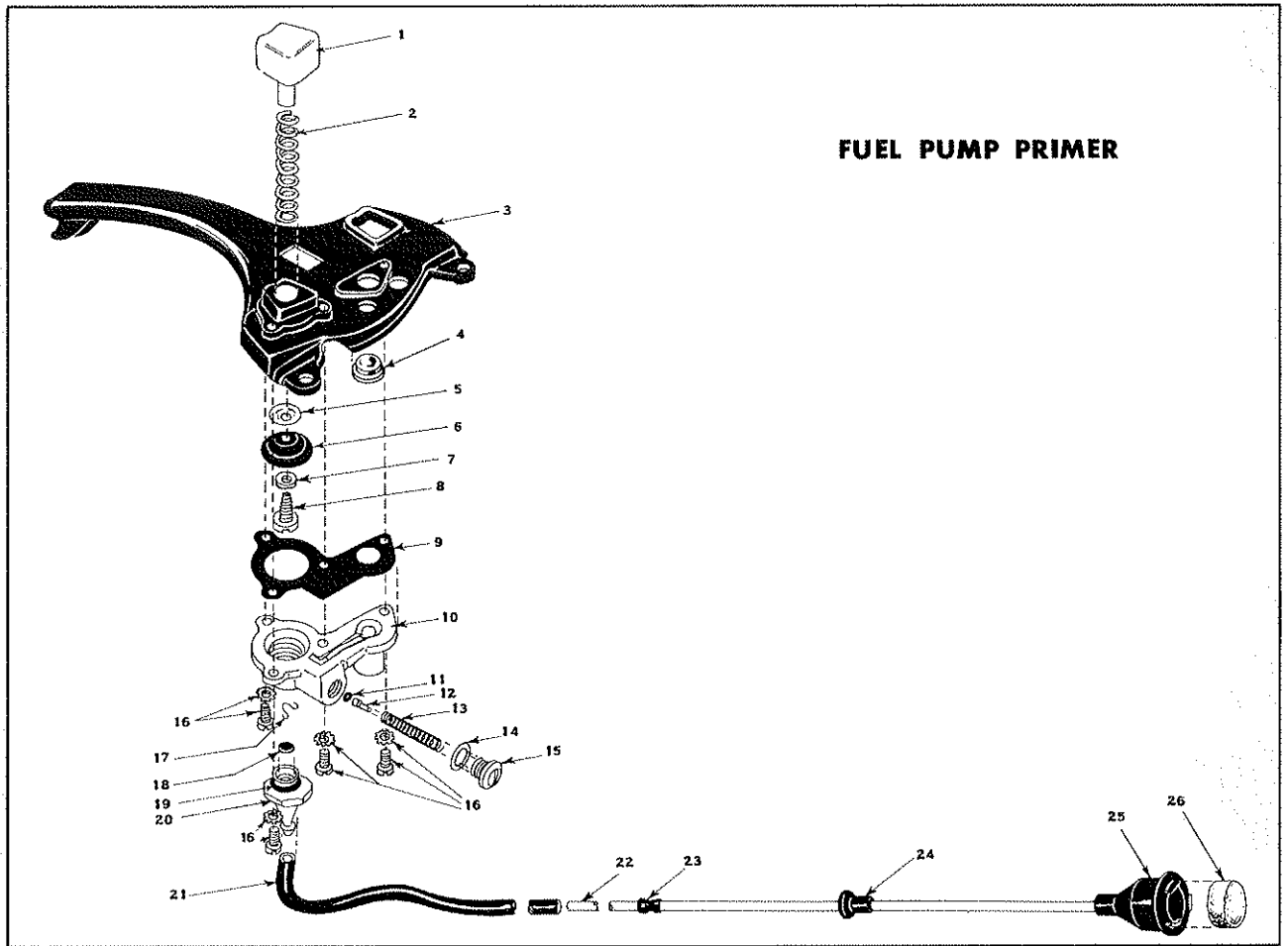
Ref. No.	Part No.	Description	Qty. Req'd.	Ref. No.	Part No.	Description	Qty. Req'd.
*	470732	Carburetor Assembly, Complete	1	**25	426593	. Welch Plug	1
**1	470644	. Inlet Needle and Seat Assembly	1	**26	426594	. Diaphragm Lever Tension Spring	1
2	426606	. . Inlet Seat Gasket	1	**27	426595	. Diaphragm Lever	1
3	470642	. Throttle Shaft and Lever Assembly	1	28	426596	. Diaphragm Cover Gasket	1
**4	426607	. Throttle Return Spring	1	29	470645	. Diaphragm Assembly	1
5	306397	. Nut 1/4-28	2	30	426597	. Diaphragm Cover	1
6	426703	. Washer, Insulating	2	31	426598	. Fuel Pump Body Gasket	1
**7	470641	. Fulcrum Pin Assy.	1	32	426599	. Fuel Pump Diaphragm	1
8	426578	. Shutter Screw	1	33	426600	. Fuel Pump Body	1
9	426579	. Throttle Shutter	1	34	426601	. Fuel Inlet Connection Gasket	1
10	303887	. Washer	2	**35	426628	. Filter Screen	1
11	425046	. Gasket, Carburetor	1	36	426602	. Fuel Inlet Connection	1
12	470647	. Carburetor Body, Service	1	37	426603	. Fiber Washer	1
**13	426580	. Throttle Shaft Clip	1	38	426604	. Fuel Connection Screw	1
**14	426581	. Throttle Clip Screw	1	39	426605	. Body Screw	4
15	426585	. Square Ring	2	**40	426880	. Fuel Pump Diaphragm Spring	2
**16	426586	. Adjustment Packing Washer	4	41	†	Choke Shaft and Lever Assembly	
**17	426587	. Adjustment Compression Spring	2	42	†	Choke Arm	
**18	426789	. Main Mixture Adj. (Screw Driver Slot)	1	43	†	Bow Washer	
**19	426790	. Idle Mixture Adj. (Screw Driver Slot)	1	44	†	Washer	
**20	470646	. Idle Speed Screw and Retaining Ring Assy.	1	45	†	Retaining Ring Truarc	
21	426590	. . Idle Speed Screw Retaining Ring	1	46	†	Shutter Screw	
22	426728	. Idle Speed Screw Washer	1	47	†	Choke Shutter	
23	426591	. Idle Speed Spring	1	48	†	Choke Friction Spring	
**24	426592	. Restriction Cup	1	49	†	Friction Plunger	
				50	†	Main Mixture Adj. (Splined for Mixture Control Knob)	
				51	†	Idle Mixture Adj. (Splined for Mixture Control Knob)	

† Original equipment on Models 400 and 400A, not available for service replacement. These parts are not required after conversion to Carburetor Assembly Part No. 470732 and Fuel Pump Primer Assembly Part No. 470735.

*Not Shown

**Included in Carburetor Repair Kit 470640, Also Includes Carburetor Gasket Kit 470639.

400 SERIES MODELS 410 AND MODIFIED 400 AND 400A



FUEL PUMP PRIMER

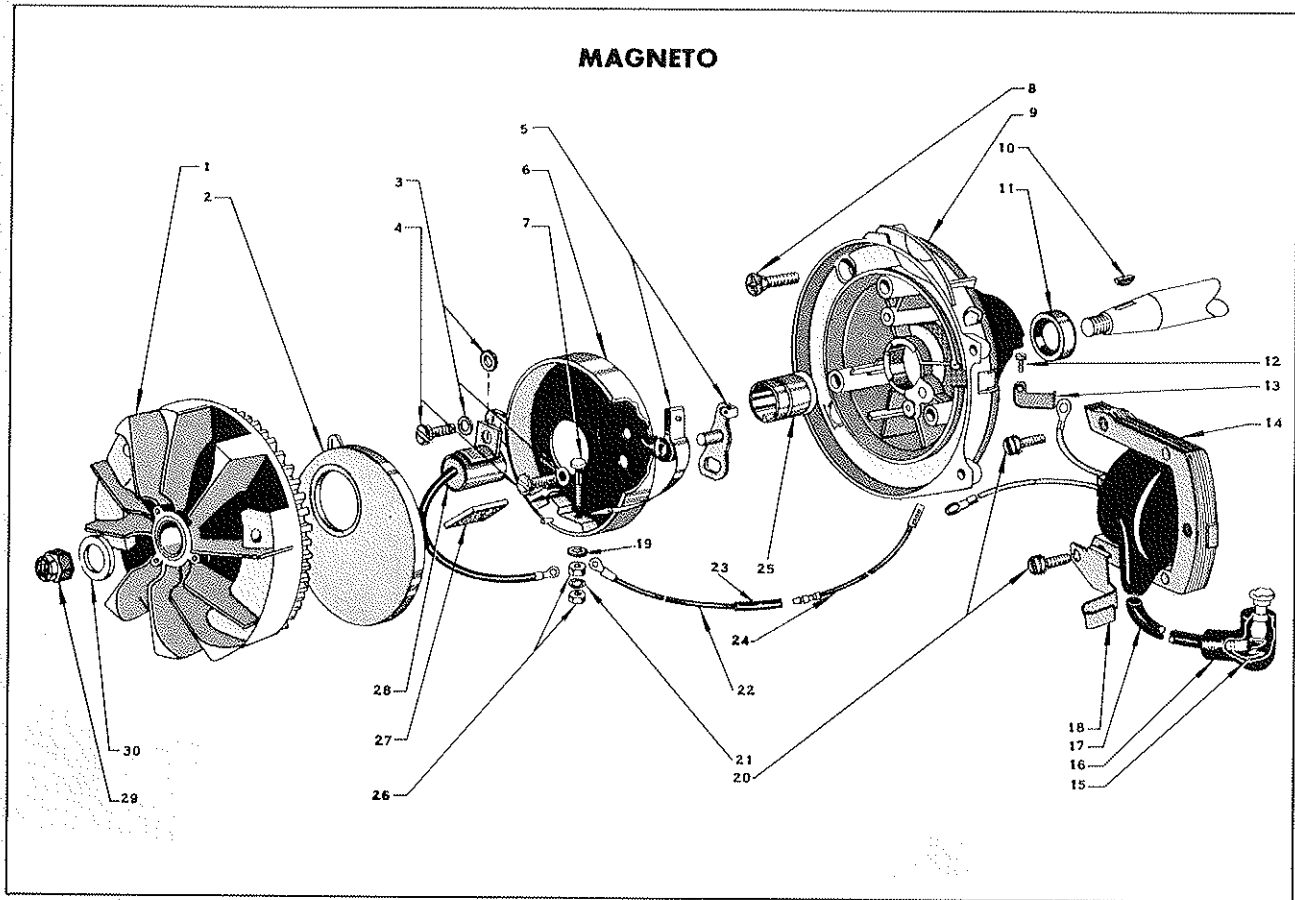
FUEL PUMP PRIMER PARTS LIST

Ref. No.	Part No.	Description	Qty. Req'd.	Ref. No.	Part No.	Description	Qty. Req'd.
*	470735	Fuel Pump Primer Assembly	1	16	307192	Screw and Lockwasher	4
1	426830	Primer Pump Button	1	*	470728	Inlet Valve Housing Assembly	1
2	426822	Primer Button Spring	1	17	426824	Retaining Clip	1
3	426834	Control Panel	1	18	426825	Disc Valve - Inlet	1
4	426831	Sight Glass 1/2"	1	19	202893	"O" Ring Valve Housing	1
5	426818	Cup-Primer Pump Diaphragm	1	20	†	Inlet Valve Housing	1
6	426815	Diaphragm	1	21	426828	Air Box to Primer Fuel Line	1
7	306523	Washer	1	*	470727	Pick-up Line Assy.	1
8	426821	Screw	1	22	†	Fuel Pick-up Line	1
9	426820	Gasket	1	23	†	Stop-Primer Pick-up Line	1
10	426832	Body-Primer Pump	1	24	426819	Seal-Primer Pick-up Line	1
*	470729	Exit Valve Assembly	1	25	426823	Primer Filter Body	1
11	305862	"O" Ring	1	26	426826	Primer Fuel Filter	1
12	†	Stem Exit Valve	1				
13	†	Exit Valve Spring	1				
14	426843	End Cap Washer	1				
15	†	End Cap - Exit Valve	1				

† Available in Assembly Only

*Not Shown

400 SERIES MODELS 400, 400A AND 410

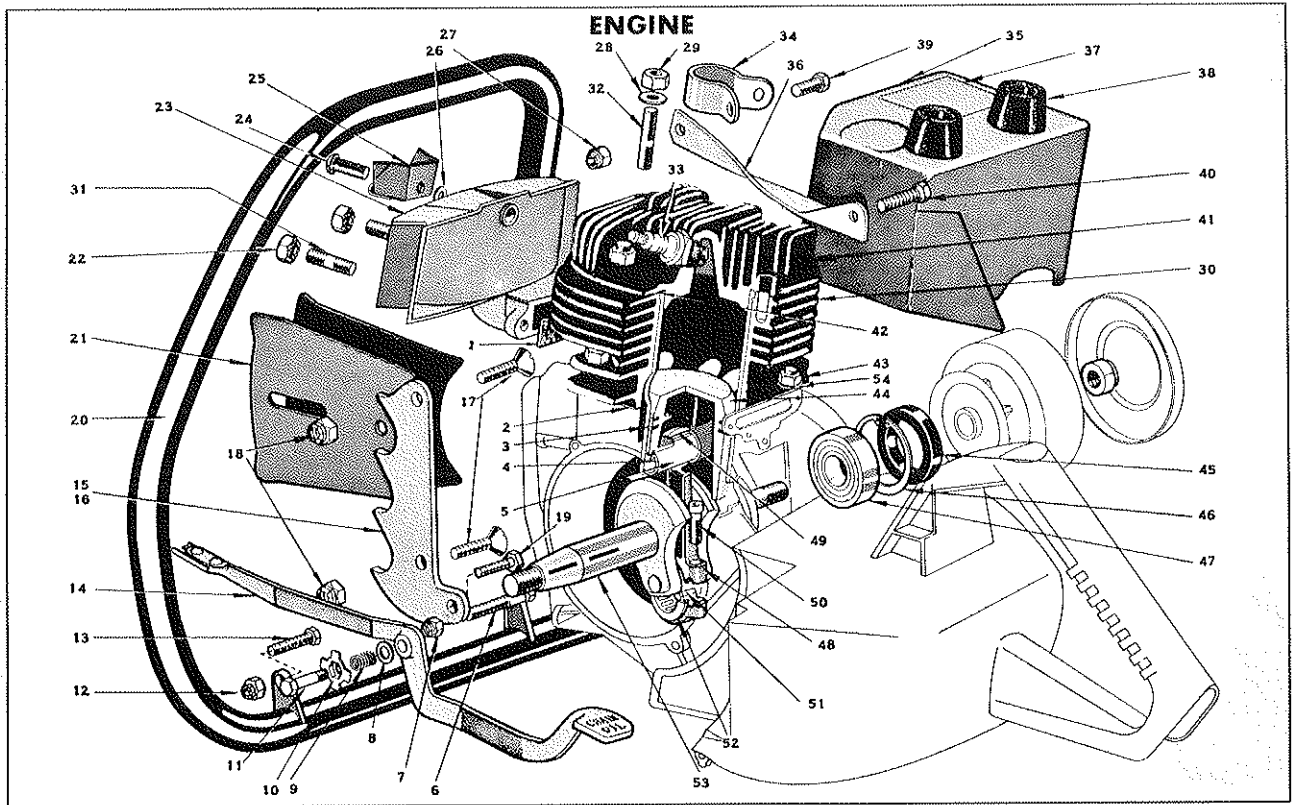


MAGNETO PARTS LIST

Ref. No.	Part No.	Description	Qty. Req'd.	Ref. No.	Part No.	Description	Qty. Req'd.
1	470604	Flywheel Assembly	1	17	426527	. High Tension Lead	1
2	426516	Breaker Housing Cover	1	18	426669	High Tension Wire Clip	1
3	303497	Washer	3	19	307189	Washer	1
4	307193	Screw	2	20	510397	Screw	2
5	470607	Breaker Point Set	1	21	307247	Washer, Shakeproof	1
6	426515	Breaker Housing	1	22	470666	Switch Wire Assembly, Magneto End	1
7	426522	Terminal Screw	1	23	426660	. Insulation Sleeve	1
8	426567	Screw	4	24	470665	Switch Wire Assembly, Switch End	1
9	426440	Bearing Housing	1	25	426514	Cam	1
10	425061	Flywheel Woodruff Key	1	26	302437	Hex Nut	2
11	425076	Magneto End Seal	1	27	510189	Oil Wick	1
12	307192	Screw	1	28	426528	Condenser	1
13	426508	Lead Clamp	1	29	425916	Flexloc Nut, Left Hand	1
14	470685	Coil and Lamination Assembly	1	30	304671	Washer	1
15	580339	. Rubber Sparky Assy.	1				
16	†	. . Sparky Spring					

† Serviced in assembly only

600 SERIES MODELS 600, 600A AND 610



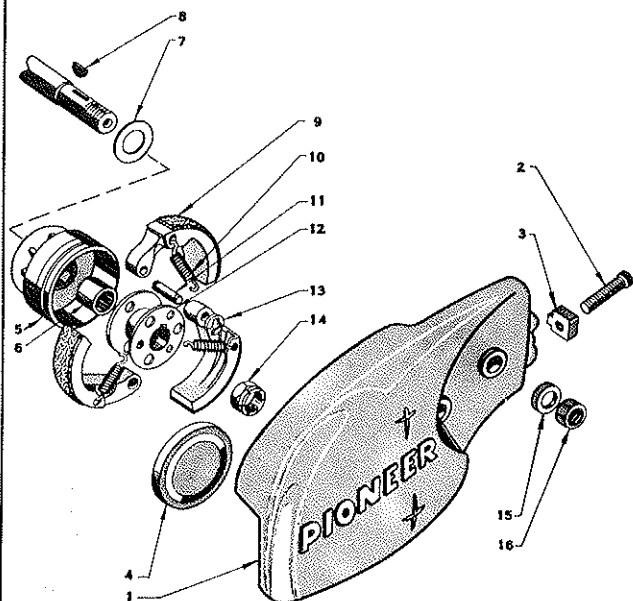
ENGINE PARTS LIST

Ref. No.	Part No.	Description	Qty. Req'd.	Ref. No.	Part No.	Description	Qty. Req'd.
1	426205	Exhaust Gasket	1	28	552743	Cylinder Head Washer	6
2	426204	Cylinder Base Gasket	1	29	306397	Cylinder Head Nut	6
3	425642	Piston Ring	2	30	470468	Cylinder Block Assy.	1
4	425062	Wrist Pin Retainer	2	31	425334	. Exhaust Stud	2
5	425641	Wrist Pin	1	32	425334	. Cylinder Head Stud	6
6	131054	Front Handle Bolt, Lg.	1	33	076152	Spark Plug	1
7	425108	Front Handle Nut	1	34	425661	Brace Clamp	1
8	425021	Oiler Lever Washer	1	35	470558	Inner Shroud Assy.	1
9	425319	Oiler Lever Spring	1	36	425660	. Forward Brace	1
10	425680	Oiler Lever Pin Lock	1	37	426408	. Warning Decal, Shroud	1
11	425705	Oiler Lever Pin	1	38	425662	. Bumpers	2
12	425108	Front Handle Nut	1	39	300977	Brace Clamp Bolt	1
13	300635	Front Handle Bolt, Short	1	40	552421	Forward Brace Bolt	1
14	470428	Oiler Lever Assembly	1	41	425648	Cylinder Head	1
15	426203	Pivot Grip, Eastern	1	42	425643	Cylinder Head Gasket	1
16	426202	Pivot Grip, Western	1	43	306397	Cylinder Base Nut	4
17	130491	Screw	2	44	425640	Piston	1
18	425713	Nut	2	45	425077	Drive End Seal	1
19	303248	Bolt	1	46	425067	Clip Ring	1
20	470435	Front Handle Assy.	1	47	425066	Main Bearing	2
21	425674	Guide Plate	2	48	470168	Connecting Rod	1
22	304609	Exhaust Nut	2	49	425060	Needle Bearing	1
23	470429	Exhaust Manifold	1	50	304610	Socket Head Screw	2
24	304607	Exhaust Screw	1	51	425089	Loose Needles	12
25	425655	Latch Trunnion	1	52	470731	Bearing Cage, Two Halves	1
26	425649	Exhaust Insulating Washer	1	53	426209	Crankshaft	1
27	425108	Brace Clamp Lock Nut	1	54	306396	Lockwasher	4

*Not Shown

600 SERIES MODELS 600, 600A AND 610

CLUTCH

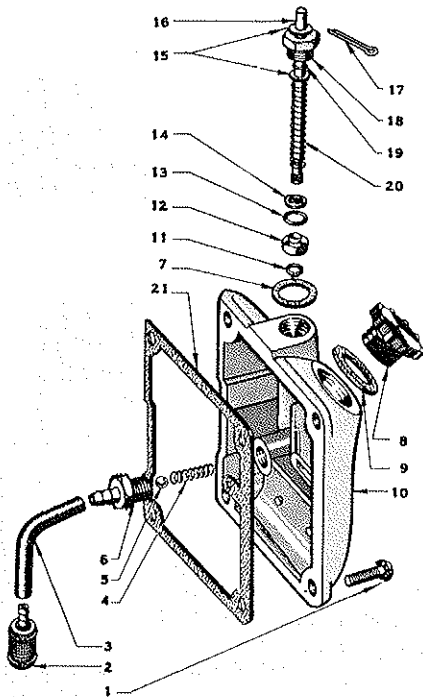


CLUTCH PARTS LIST

Ref. No.	Part No.	Description	Qty. Req'd.
*	470719	Strut Assembly (Modified for Bow Attachment)	1
1	470442	Strut Assembly	1
2	202190	. Chain Adjusting Screw	1
3	425672	. Chain Adjusting Pin	1
4	425020	Clutch Cover	1
5	470340	Sprocket Assembly	1
6	425091	. Sprocket Bearing	1
7	425015	Inside Sprocket Washer	1
8	425061	Clutch Driver Key	1
9	470667	Clutch Shoe Assembly	3
10	425012	Clutch Driver Spring	3
11	425019	Clutch Driver Pin	3
12	425018	Clutch Driver	1
13	203470	Clutch Driver Clip	3
14	425092	Clutch Driver Nut, Flexloc	1
15	425116	Strut Washer	2
16	425031	Strut Nut	2

*Not Shown

OIL PUMP

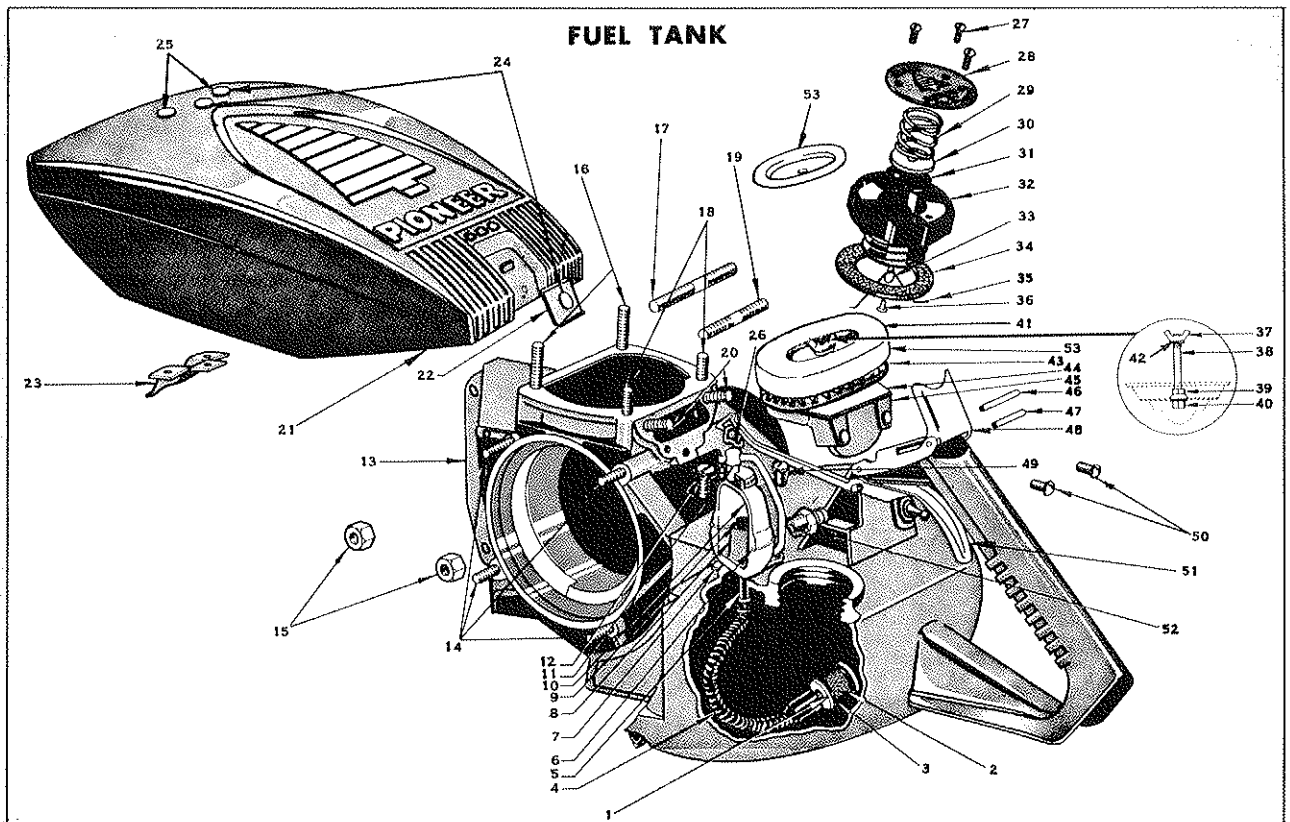


OIL PUMP PARTS LIST

Ref. No.	Part No.	Description	Qty. Req'd.
*	470430	Oiler Body Complete	1
1	302948	. Oiler Body Screw	4
2	470193	. Oiler Pick-up Assy.	1
3	426200	. Oiler Inlet Tube	1
4	426221	. Oil Ball Valve Spring	1
5	426227	. Oiler Ball	1
6	426220	. Oiler Intake Connector	1
7	425093	. Gland Nut Gasket	1
8	470360	. Oiler Filler Cap	1
9	425074	. Oiler Filler Cap Gasket	1
10	426119	. Oiler Body	1
*	470427	. Pump Plunger Assy.	1
11	425114	. . Pump Piston Clip	1
12	426197	. . Pump Piston	1
13	425095	. . Pump Piston Gland "O" Ring	1
14	306522	. . Washer	1
15	425021	. . Gland Washer	2
16	426196	. . Plunger Rod	1
17	304634	. . Cotter Pin	1
18	425085	. . Gland Nut	1
19	425028	. . "O" Ring	1
20	426198	. . Pump Spring	1
21	426199	Oiler Body Gasket	1

*Not Shown

600 SERIES MODELS 600, 600A AND 610



FUEL TANK PARTS LIST

Ref. No.	Part No.	Description	Qty. Req'd.	Ref. No.	Part No.	Description	Qty. Req'd.
1	470090	Gas Pickup Assembly	1	28	426845	. Gas Cap Cover Plate	1
2	425317	. Pickup Screen	1	29	426844	. Gas Cap Spring	1
3	304614	. "O" Ring	2	30	425994	. Gas Cap Valve Plate	1
4	425343	Flex Pickup Line	1	31	426013	. Gas Cap Valve	1
5	425330	Flex Pickup Connector	1	32	425716	. Gas Cap	1
6	425748	Filter Bowl Gasket	1	33	425719	. Gas Cap Chain	1
7	425669	Filter Base Gasket	1	34	425087	. Gas Cap Gasket	1
8	425668	Filter Base	1	35	425718	. Gas Cap Lock Spring	1
9	425670	Filter Felt	1	36	425029	. Gas Cap Rivet	1
10	425422	Filter Bowl	1	*	470434	Air Cleaner Assembly	1
11	470194	Clamp Unit	1	37	425919	. Wing Nut	1
12	306514	Filter Base Screw	1	38	426228	. Air Cleaner Stem	1
13	470432	Crankcase Assembly	1	39	133175	. Jam Nut	1
14	425075	. Fan Housing Stud	4	40	426734	. Air Cleaner Nut	1
15	425078	. Strut Stud Nut	2	41	426804	. Filter Cover	1
16	425578	. Cylinder Stud, Long	2	42	302474	. Washer	1
17	426121	. Strut Stud	1	43	426226	. Filter Element	1
18	426747	. Cylinder Stud, Short	1	44	426219	. Filter Support Plate	1
19	425027	. Strut Stud, Short	1	45	426114	. Air Cleaner Body	1
†20	426702	. Carburetor Stud	2	**	425669	. Gasket	1
21	470436	Outer Shroud Assembly	1	46	304616	Roll Pin	1
22	426224	. Rear Shroud Hook	1	47	426636	Throttle Hinge Pin	1
23	425653	. Front Shroud Hook	1	48	470437	Catch Link Assembly	1
24	426071	. Rivet	2	49	305230	Filter Base Screw	1
25	308014	. Rivet	2	50	307246	Air Cleaner Screw	2
26	426201	Throttle Link	1	51	426207	Throttle Trigger	1
*	470726	Gas Cap Assembly	1	52	425631	Gas Line Fitting	1
27	425633	. Gas Cap Screw	3	53	426206	Filter Cover	1

* Not Shown

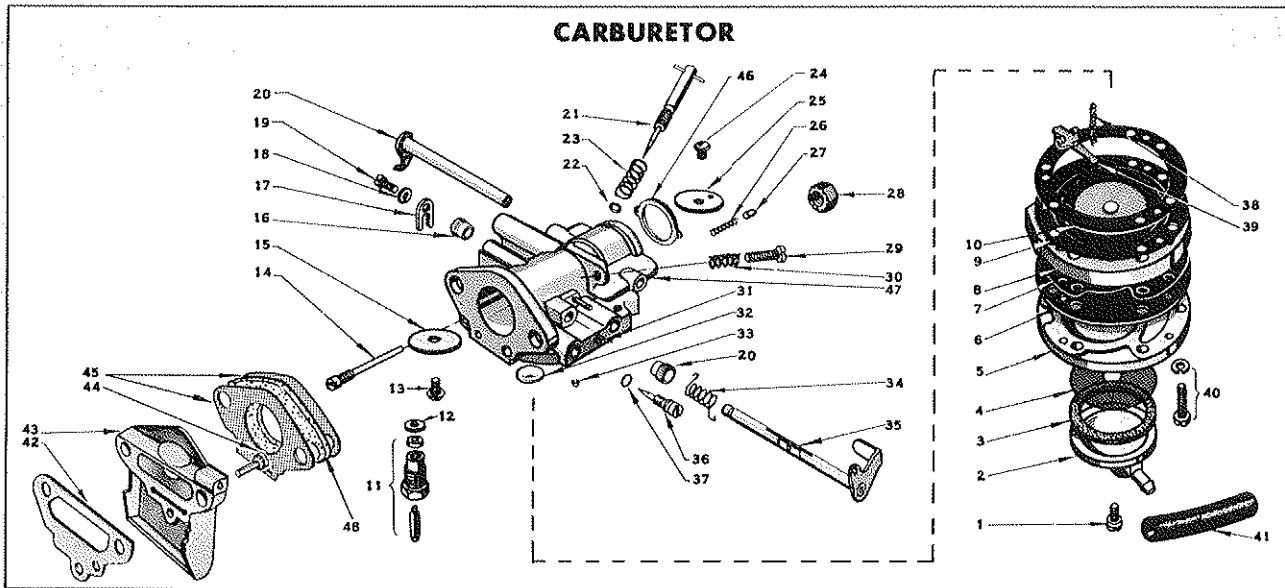
** Shown with Carburetor Parts List

○ Effective at Serial No. 66891

○○ Used prior to Serial No. 66891

† When servicing unmodified Models 600 and 600A not having this stud size install also item 29 page 57 and items 11, 45 and 48 on page 58.

600 SERIES MODELS 600, 600A AND 610

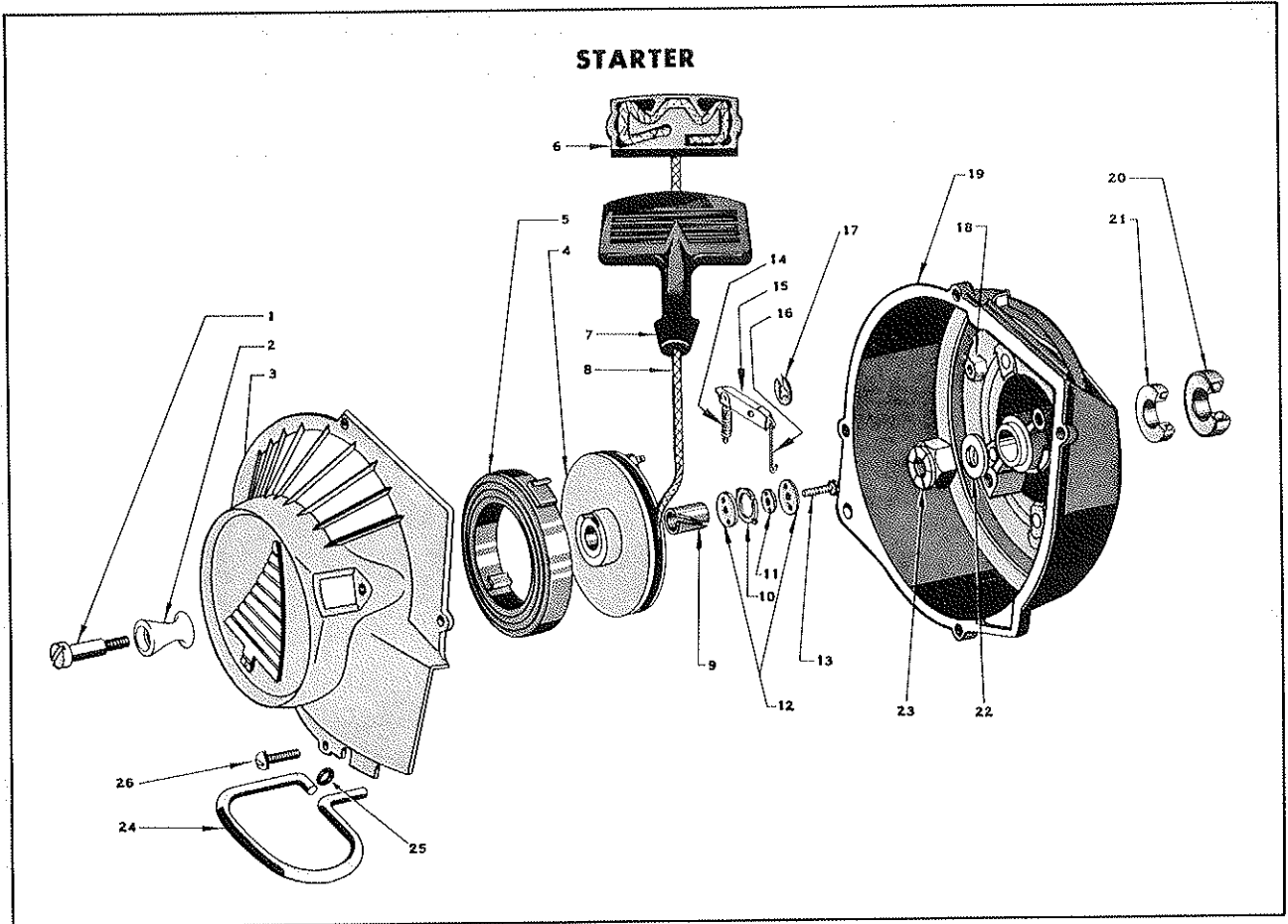


CARBURETOR PARTS LIST

Ref. No.	Part No.	Description	Qty. Req'd.	Ref. No.	Part No.	Description	Qty. Req'd.
*	470171	Carburetor Assembly	1	26	425450	. Choke Friction Spring	1
**1	425741	. Fuel Strainer Cover Retaining Screw	1	27	425407	. Choke Friction Pin	1
2	425492	. Fuel Strainer Cover	1	28	304609	. Carburetor Nut	2
**3	425493	. Fuel Strainer Cover Gasket	1	**29	425401	. Idle Speed Regulating Screw	1
**4	425494	. Fuel Strainer Screen	1	**30	425386	. Idle Speed Regulating Screw Spring	1
5	425490	. Fuel Pump Body	1	31	425391	. Diaphragm Chamber Drain Screw	1
**6	425495	. Fuel Pump Diaphragm	1	**32	425394	. Body Channel Welch Plug	1
**7	425506	. Fuel Pump Gasket	1	**33	425501	. Body Channel Cup Plug	1
8	425744	. Diaphragm Cover	1	**34	425505	. Throttle Shaft Return Spring	1
**9	470361	. Diaphragm	1	35	470119	. Throttle Shaft and Lever	1
**10	425496	. Diaphragm Gasket	1	**36	470195	. Idle Adjustment Screw	1
**11	470734	. Inlet Needle, Seat and Gasket	1	**37	425502	. Seal Ring	1
**12	425486	. Inlet Seat Gasket	1	**38	425498	. Inlet Tension Spring	1
**13	426145	. Throttle Shutter Screw	1	**39	425489	. Inlet Control Lever	1
**14	470395	. Inlet Control Lever Pinion Screw	1	40	426146	. Fuel Pump Body Screw and Lock-washer	6
15	425446	. Throttle Shutter	1	41	426398	Fuel Line	1
16	425469	. Throttle Shaft Bushing	2	42	426123	Gasket, Adapter to Crankcase	1
17	425459	. Throttle Shaft Clip	1	43	426193	Carburetor Adapter	1
18	425387	. Throttle Shaft Clip Washer	1	44	304606	Carburetor Adapter Screw	1
19	425390	. Throttle Shaft Clip Retaining Screw	1	**45	425046	Carburetor Gasket	2
20	470196	. Choke Shaft and Lever	1	46	425669	Air Cleaner Gasket	1
**21	470197	. Main Adjustment Screw	1	47	470350	Carburetor Body, Complete with Parts Pressed In	1
**22	425502	. Seal Ring	1	48	425328	Insulating Gasket	1
**23	425747	. Main Adjustment Screw Spring	1				
24	426145	. Choke Shutter Screw	1				
25	425456	. Choke Shutter	1				

*Not Shown
**470325 Repair Parts Kit, Also Includes Carburetor Gasket and Packing Kit 470322.

600 SERIES MODEL 600

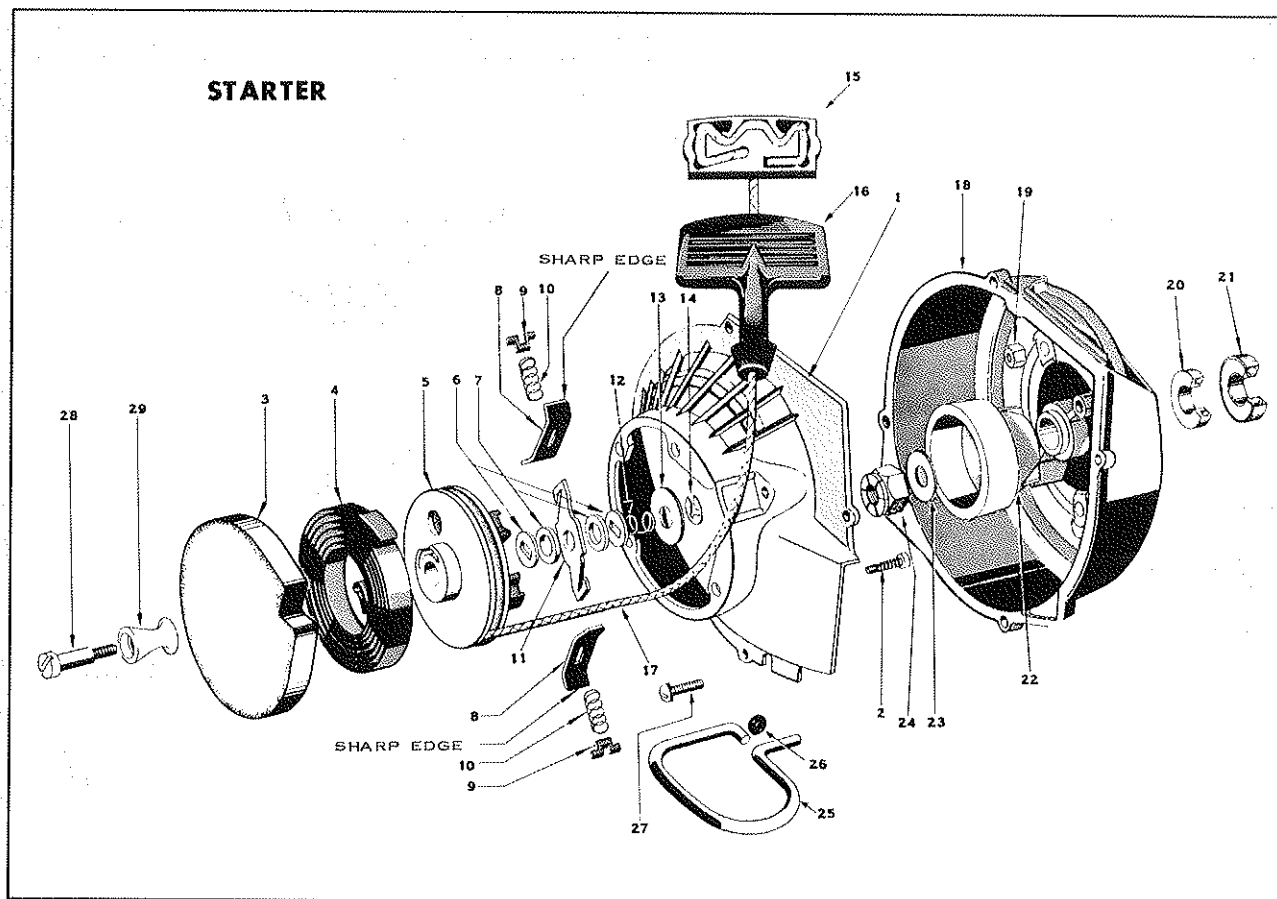


STARTER PARTS LIST

Ref. No.	Part No.	Description	Qty. Req'd.	Ref. No.	Part No.	Description	Qty. Req'd.
*	470444	Starter Unit Assembly	1	13	302948	. Sems Pan Head Screw	1
1	425709	. Roller Pin	1	14	303316	. Pawl Operating Spring	1
2	425665	. Starter Cord Roller	1	15	426211	. Starter Pawl	1
3	426194	. Starter Housing	1	16	426214	. Pawl Operating Link	1
4	470426	. Starter Pulley	1	17	202139	. "E" Type Circlip	1
5	426217	. Starter Rewind Spring	1	18	304609	Fan Housing Nut	4
6	304323	. Cord Anchor	1	19	426120	Fan Housing	1
7	602773	. Starter Cord Handle, (Does Not Incl. 304323)	1	20	425066	Main Bearing	2
8	425596	. Starter Cord	1	21	425076	Magneto End Seal	1
9	426218	. Starter Pulley Bushing	1	22	304671	Flywheel Washer	1
10	426212	. Friction Yoke	1	23	425916	Flywheel Nut	1
11	426216	. Spacer	1	24	470699	Foothold Loop Assy.	1
12	426213	. Friction Plate	2	25	426663	. Grommet "O" Ring	1
				26	302948	Starter Screw	1

*Not Shown

600 SERIES MODELS 600A AND 610



STARTER PARTS LIST

Ref. No.	Part No.	Description	Qty. Req'd.	Ref. No.	Part No.	Description	Qty. Req'd.
† *	470695	Starter Unit With Adapter	1	14	202139	. . . Clip Ring	1
1	426783	. Starter Adapter	1	15	304323	. . . Cord Anchor	1
2	425708	. Starter Screw, Thread Cutting	4	16	602773	. . . Starter Cord Handle	1
*	470012	. Starter Assembly	1	17	425271	. . . Starter Cord	1
3	425275	. . . Starter Cover	1	18	426120	Fan Housing	1
4	425276	. . . Rewind Spring	1	19	304609	Fan Housing Nut	4
5	425270	. . . Rotor Assembly	1	20	425076	Magneto End Seal	1
6	425277	. . . Brake Washer	2	21	425066	Main Bearing	1
7	425280	. . . Fiber Washer	2	22	426784	Starter Cup	1
*	470233	. . . Starter Pawl Assembly	1	23	304671	Flywheel Washer	1
8	425269	. . . Friction Shoe Plate	2	††23	304928	Flywheel Washer	1
9	425273	. . . Spring Retainer	2	24	425916	Flywheel Nut	1
10	425274	. . . Brake Lever Spring	2	25	470699	Foothold Loop Assembly	1
11	425272	. . . Brake Lever	1	26	426663	. Foothold Loop Grommet	1
12	425278	. . . Brake Spring	1	27	302948	Starter Adapter Screw	4
13	425281	. . . Brake Retainer Washer	1	28	425709	Roller Pin	1
				29	425665	Starter Cord Roller	1

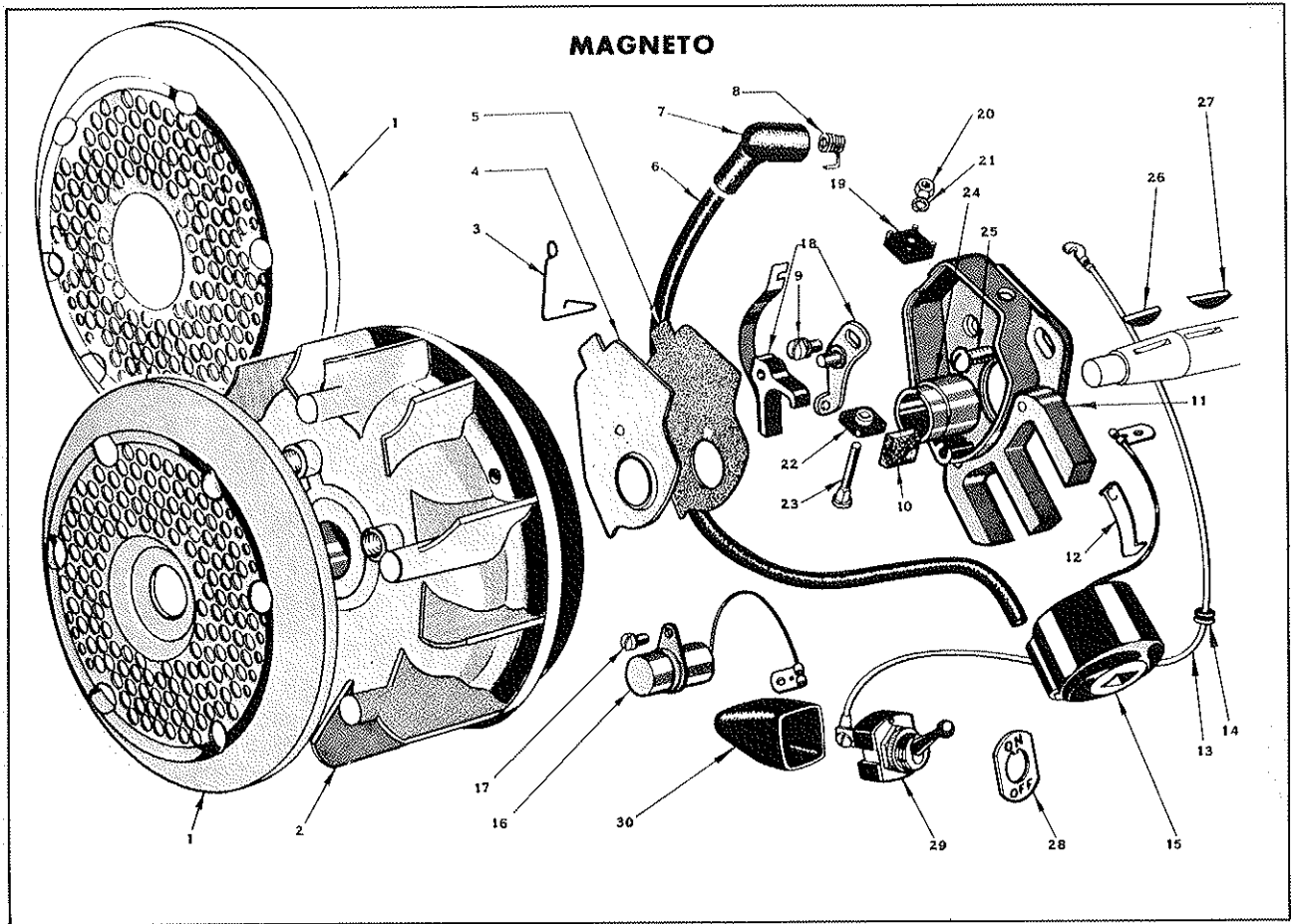
*Not Shown

†Used on converted Model 600 and original equipment on Models 600A and 610.

††Used only on converted Model 600.

NOTE: Part No. 470696 Fairbanks-Morse starter conversion kit is available for Model 600.

600 SERIES MODELS 600, 600A AND 610



MAGNETO PARTS LIST

Ref. No.	Part No.	Description	Qty. Req'd.	Ref. No.	Part No.	Description	Qty. Req'd.
†1	426782	Rotating Screen	1	16	425702	. Condenser and Lead Wire	1
††1	426210	Rotating Screen	1	17	425360	. Condenser Clamp Screw	1
2	426225	Flywheel	1	18	470188	. Breaker Point Set	1
*	470438	Magneto Stator, Complete	1	*	470186	. Terminal Connection Unit	1
3	425698	. Breaker Box Cover Spring	1	19	425699	. . Stud Insulator, Outside	1
4	425689	. Breaker Box Cover	1	20	425697	. . Nut	1
5	425690	. Gasket	1	21	425692	. . Lockwasher	1
6	426232	. High Tension Wire	1	22	425700	. . Stud Insulator, Inside	1
7	580339	. Rubber Sparky Assy.	1	23	425696	. . Stud	1
8	**	. . Sparky Spring		24	425687	Cam	1
9	425693	. Breaker Plate Screw	1	25	304605	Magneto Stator Screw	2
10	425694	. Cam Wiper Felt	1	26	425061	Flywheel Key	1
11	470183	. Stator Plate Group, Stator Plate and Coil Only	1	27	425100	Magneto Cam Key	1
12	425701	. Coil Wedge Spring	1	28	425729	On-Off Switch Plate	1
13	470192	. Switch Wire Assy.	1	29	425101	Ignition Switch	1
14	425338	. . Grommet	1	30	425985	Switch Terminal Cover	1
15	470187	. Coil Group	1				

*Not Shown

**Serviced in assembly only

†Models 600A, 610 and converted Model 600

††Model 600 original equipment

